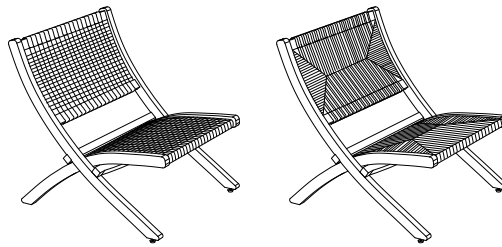


USER'S MANUAL

GRASSE SERIES

FOLDING WOVEN CHAIR



Guide of Manual

- Instruction should be read carefully. It is very important to ensure each step followed in correct order and avoid any unnecessary troubles.
- Please check to make sure all parts are included as stated in the user manual when you unpack the product.
- The manual may not cover every detail of all possible situations and assembly steps. Please contact us if further information and help are needed.

Warning

- It's kindly advised to assemble this product on a carpeted floor to protect it from being scratched.
- Small parts are included. Please keep the product away from children while assembling. Do not let children play or jump on the product. Do not stand on the item or use as a step.
- Please pay attention to the sharp corners during assembly. We recommend the use of gloves to prevent the undesired injury.
- Prior to use, please check to see if there's any loosening screw or part. Make sure that each screw and part is correctly installed and securely fastened.
- It's unnecessary to use any electric drill. Please at a low gear if you need.
- This product can expose you to chemicals including wood dust, which is known to the state of California to cause cancer. For more information, visit WWW.P65Warnings.ca.gov/wood

Care and Maintenance

- Proper maintenance and cleaning at home will extend the life of your purchase.
- Allow this Teak Cleaner & Brightener oil to remain on wood surface for approximately two to three minutes, then use a stiff bristle cleaning brush to scrub in the direction of wood grain.
- Finish with a protective layer of Teak Cleaner & Brightener to make your fine wood furniture look brand new!

Further advice about the furniture care

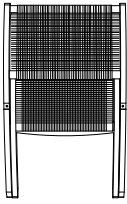
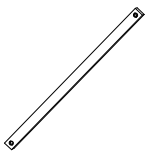


- It is best to keep your furniture in a climate-controlled environment.
- we recommend to keep furniture from sunlight exposure to avoid possible surface damage.
- Following these important and helpful tips will help retain your furniture's performance even when it ages.
- Periodically (every 90 days) make sure the screws are fully tightened.

Frame: Rubber Wood
Material: Paper Rope

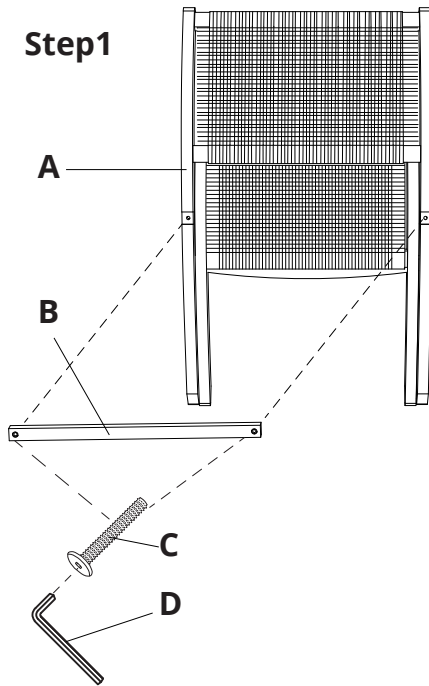
⚠ WEIGHT CAPACITY: 250LBS
DO NOT STAND ON THE ITEM

Parts List & Assembly Instruction

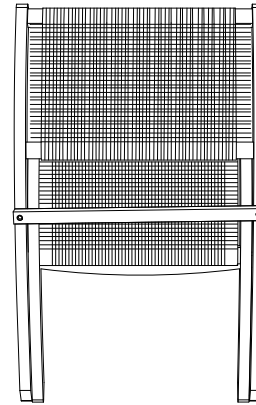
1. Make sure all parts are in the package.
2. Do not tighten all bolts until they have been installed in corresponding locations.
3. "+" in below list indicates that additional pieces are replacement parts.

A×1 Chair 	B×1 Support bar 	C×2+1 Bolts M8×40mm 	D×1 Allen wrench 
--	--	---	---

Step1



Step2



Step3

You can adjust leveling feet to balance.

