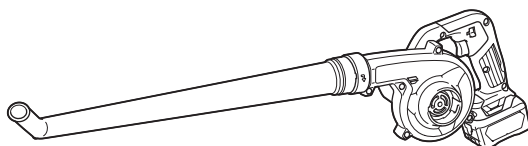
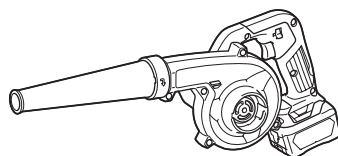


**INSTRUCTION MANUAL
MANUAL DE INSTRUCCIONES**



Cordless Blower Sopladora Inalámbrica

**BU01
BU02**



IMPORTANT: Read Before Using.

IMPORTANTE: Lea antes de usar.

SPECIFICATIONS

Model:		BU01	BU02
Capacities	Air volume *1	0 - 2.6 m ³ /min (0 - 92 cu.ft./min)	
	Air speed (average)	0 - 62 m/s (0 - 139 MPH) *2	0 - 45 m/s (0 - 101 MPH) *3
	Air speed (max.)	0 - 75 m/s (0 - 168 MPH) *2	0 - 56 m/s (0 - 125 MPH) *3
Overall length		508 mm (20") *4	852 mm (33-1/2") *5
Rated voltage		D.C. 10.8 V - 12 V max	
Net weight	With nozzle	1.4 - 1.9 kg (3.1 - 4.2 lbs)	-
	With garden nozzle	-	1.4 - 1.9 kg (3.1 - 4.2 lbs)

*1. Without nozzles.

*2. With nozzle.

*3. With garden nozzle.

*4. With nozzle and battery cartridge (BL1041B), and without dust bag.

*5. With garden nozzle and battery cartridge (BL1041B), and without dust bag.

- Due to our continuing program of research and development, the specifications herein are subject to change without notice.
- Specifications may differ from country to country.
- The weight may differ depending on the attachment(s), including the battery cartridge. The lightest and heaviest combination, according to EPTA-Procedure 01/2014, are shown in the table.

Applicable battery cartridge and charger

Battery cartridge	BL1016 / BL1021B / BL1041B
Charger	DC10SB / DC10WD / DC18RE

- Some of the battery cartridges and chargers listed above may not be available depending on your region of residence.

⚠WARNING: Only use the battery cartridges and chargers listed above. Use of any other battery cartridges and chargers may cause injury and/or fire.

SAFETY WARNINGS

General power tool safety warnings

⚠WARNING: Read all safety warnings, instructions, illustrations and specifications provided with this power tool. Failure to follow all instructions listed below may result in electric shock, fire and/or serious injury.

Save all warnings and instructions for future reference.

The term "power tool" in the warnings refers to your mains-operated (corded) power tool or battery-operated (cordless) power tool.

Work area safety

1. **Keep work area clean and well lit.** Cluttered or dark areas invite accidents.
2. **Do not operate power tools in explosive atmospheres, such as in the presence of flammable liquids, gases or dust.** Power tools create sparks which may ignite the dust or fumes.

3. **Keep children and bystanders away while operating a power tool.** Distractions can cause you to lose control.

Electrical Safety

1. **Power tool plugs must match the outlet. Never modify the plug in any way. Do not use any adapter plugs with earthed (grounded) power tools.** Unmodified plugs and matching outlets will reduce risk of electric shock.
2. **Avoid body contact with earthed or grounded surfaces, such as pipes, radiators, ranges and refrigerators.** There is an increased risk of electric shock if your body is earthed or grounded.
3. **Do not expose power tools to rain or wet conditions.** Water entering a power tool will increase the risk of electric shock.
4. **Do not abuse the cord. Never use the cord for carrying, pulling or unplugging the power tool. Keep cord away from heat, oil, sharp edges or moving parts.** Damaged or entangled cords increase the risk of electric shock.
5. **When operating a power tool outdoors, use an extension cord suitable for outdoor use.** Use of a cord suitable for outdoor use reduces the risk of electric shock.

6. **If operating a power tool in a damp location is unavoidable, use a ground fault circuit interrupter (GFCI) protected supply.** Use of a GFCI reduces the risk of electric shock.
7. **Power tools can produce electromagnetic fields (EMF) that are not harmful to the user.** However, users of pacemakers and other similar medical devices should contact the maker of their device and/or doctor for advice before operating this power tool.

Personal Safety

1. **Stay alert, watch what you are doing and use common sense when operating a power tool. Do not use a power tool while you are tired or under the influence of drugs, alcohol or medication.** A moment of inattention while operating power tools may result in serious personal injury.
2. **Use personal protective equipment. Always wear eye protection.** Protective equipment such as dust mask, non-skid safety shoes, hard hat, or hearing protection used for appropriate conditions will reduce personal injuries.
3. **Prevent unintentional starting. Ensure the switch is in the off-position before connecting to power source and/or battery pack, picking up or carrying the tool.** Carrying power tools with your finger on the switch or energising power tools that have the switch on invites accidents.
4. **Remove any adjusting key or wrench before turning the power tool on.** A wrench or a key left attached to a rotating part of the power tool may result in personal injury.
5. **Do not overreach. Keep proper footing and balance at all times.** This enables better control of the power tool in unexpected situations.
6. **Dress properly. Do not wear loose clothing or jewellery. Keep your hair, clothing and gloves away from moving parts.** Loose clothes, jewellery or long hair can be caught in moving parts.
7. **If devices are provided for the connection of dust extraction and collection facilities, ensure these are connected and properly used.** Use of dust collection can reduce dust-related hazards.
8. **Do not let familiarity gained from frequent use of tools allow you to become complacent and ignore tool safety principles.** A careless action can cause severe injury within a fraction of a second.
9. **Always wear protective goggles to protect your eyes from injury when using power tools. The goggles must comply with ANSI Z87.1 in the USA. It is an employer's responsibility to enforce the use of appropriate safety protective equipment by the tool operators and by other persons in the immediate working area.**

Power tool use and care

1. **Do not force the power tool. Use the correct power tool for your application.** The correct power tool will do the job better and safer at the rate for which it was designed.
2. **Do not use the power tool if the switch does not turn it on and off.** Any power tool that cannot be controlled with the switch is dangerous and must be repaired.

3. **Disconnect the plug from the power source and/or remove the battery pack, if detachable, from the power tool before making any adjustments, changing accessories, or storing power tools.** Such preventive safety measures reduce the risk of starting the power tool accidentally.
4. **Store idle power tools out of the reach of children and do not allow persons unfamiliar with the power tool or these instructions to operate the power tool.** Power tools are dangerous in the hands of untrained users.
5. **Maintain power tools and accessories. Check for misalignment or binding of moving parts, breakage of parts and any other condition that may affect the power tool's operation. If damaged, have the power tool repaired before use.** Many accidents are caused by poorly maintained power tools.
6. **Keep cutting tools sharp and clean.** Properly maintained cutting tools with sharp cutting edges are less likely to bind and are easier to control.
7. **Use the power tool, accessories and tool bits etc. in accordance with these instructions, taking into account the working conditions and the work to be performed.** Use of the power tool for operations different from those intended could result in a hazardous situation.
8. **Keep handles and grasping surfaces dry, clean and free from oil and grease.** Slippery handles and grasping surfaces do not allow for safe handling and control of the tool in unexpected situations.
9. **When using the tool, do not wear cloth work gloves which may be entangled.** The entanglement of cloth work gloves in the moving parts may result in personal injury.

Battery tool use and care

1. **Recharge only with the charger specified by the manufacturer.** A charger that is suitable for one type of battery pack may create a risk of fire when used with another battery pack.
2. **Use power tools only with specifically designated battery packs.** Use of any other battery packs may create a risk of injury and fire.
3. **When battery pack is not in use, keep it away from other metal objects, like paper clips, coins, keys, nails, screws or other small metal objects, that can make a connection from one terminal to another.** Shorting the battery terminals together may cause burns or a fire.
4. **Under abusive conditions, liquid may be ejected from the battery; avoid contact. If contact accidentally occurs, flush with water. If liquid contacts eyes, additionally seek medical help.** Liquid ejected from the battery may cause irritation or burns.
5. **Do not use a battery pack or tool that is damaged or modified.** Damaged or modified batteries may exhibit unpredictable behaviour resulting in fire, explosion or risk of injury.
6. **Do not expose a battery pack or tool to fire or excessive temperature.** Exposure to fire or temperature above 130 °C may cause explosion.

7. Follow all charging instructions and do not charge the battery pack or tool outside the temperature range specified in the instructions. Charging improperly or at temperatures outside the specified range may damage the battery and increase the risk of fire.

Service

1. Have your power tool serviced by a qualified repair person using only identical replacement parts. This will ensure that the safety of the power tool is maintained.
2. Never service damaged battery packs. Service of battery packs should only be performed by the manufacturer or authorized service providers.
3. Follow instruction for lubricating and changing accessories.
4. Do not modify or attempt to repair the appliance or the battery pack except as indicated in the instructions for use and care.

IMPORTANT SAFETY INSTRUCTIONS

When using an electrical appliance, basic precautions should always be followed, including the following:

READ ALL INSTRUCTIONS BEFORE USING THIS APPLIANCE. WARNING - To reduce the risk of fire, electric shock, or injury:

1. Do not leave appliance when battery fitted. Remove battery from appliance when not in use and before servicing.
2. Do not expose to rain. Store indoors.
3. Do not allow to be used as a toy. Close attention is necessary when used by or near children.
4. Use only as described in this manual. Use only manufacturer's recommended attachments.
5. Do not use with damaged battery. If appliance is not working as it should, has been dropped, damaged, left outdoors, or dropped into water, return it to a service center.
6. Do not put any object into openings. Do not use with any opening blocked; keep free of dust, lint, hair, and anything that may reduce air flow.
7. Keep hair, loose clothing, fingers, and all parts of body away from openings and moving parts.
8. Use extra care when cleaning on stairs.
9. Use only the charger supplied by the manufacturer to recharge.
10. Do not use to pick up flammable or combustible liquids, such as gasoline, or use in areas where they may be present.

11. Do not pick up anything that is burning or smoking, such as cigarettes, matches, or hot ashes.
12. Do not use without dust bag in place when collecting dust.

SAVE THESE INSTRUCTIONS.

This appliance is intended for household use.

Cordless Blower Safety Instructions

Preparation

1. Always wear substantial footwear and long trousers while operating the machine.
2. Do not wear loose clothing or jewellery that can be drawn into the air inlet. Keep long hair away from the air inlets.
3. Always use protective goggles, a cap and mask when using the machine. Ordinary eye or sun glasses are NOT safety glasses.
4. To prevent dust irritation the wearing of a face mask is recommended.
5. While operating the machine, always wear non-slip and protective footwear. Non-skid, closed-toed safety boots and shoes will reduce the risk of injury.

Operation

1. Never operate the machine while people, especially children, or pets are nearby.
2. Switch off the machine and remove the battery cartridge and make sure that all moving parts have come to a complete stop
 - whenever you leave the machine.
 - before clearing blockages.
 - before checking, cleaning or working on the machine.
 - if the machine starts to vibrate abnormally.
 - whenever you convert the machine from blower to vacuum, and vice versa.
3. Operate the machine only in daylight or in good artificial light.
4. Do not overreach and keep proper balance and footing at all times.
5. Never blow debris in the direction of bystanders.
6. Operate the machine in a recommended position and on a firm surface.
7. Do not operate the machine at high places.
8. Never point the nozzle at anyone in the vicinity when using the machine.
9. Never block suction inlet and/or blower outlet.
 - Be careful not to block suction inlet or blower outlet with dust or dirt when operating in dusty area.
 - Do not use nozzles other than the nozzles provided by Makita.
 - Do not use the blower to inflate balls, rubber boat or the similar.

10. Do not operate the machine near open window, etc.
11. **Operating the machine only at reasonable hours is recommended - not early in the morning or late at night when people might be disturbed.**
12. **Using rakes and brooms to loosen debris before blowing is recommended.**
13. **If the machine strikes any foreign objects or should start making any unusual noise or vibration, immediately switch off the machine to stop it. Remove the battery cartridge from the machine and inspect the machine for damage before restarting and operating the machine. If the machine is damaged, ask Makita Authorized Service Centers for repair.**
14. **Do not insert fingers or other objects into suction inlet or blower outlet.**
15. **Prevent unintentional starting. Ensure the switch is in the off-position before inserting battery cartridge, picking up or carrying the machine. Carrying the machine with your finger on the switch or energizing the machine that has the switch on invites accidents.**
16. **Never blow or vacuum dangerous materials, such as nails, fragments of glass, or blades.**
17. **Do not operate the machine near flammable materials.**
18. **Avoid operating the machine for a long time in low temperature environment.**
19. **Always use the dust bag when collecting dust, chips and the like.**
20. **Do not collect still smoldering cigarette ashes, freshly cut metals shavings, screws, nails and the like.**
3. **Recharge only with the charger specified by the manufacturer.** A charger that is suitable for one type of battery pack may create a risk of fire when used with another battery pack.
4. **Use machines only with specifically designated battery packs.** Use of any other battery packs may create a risk of injury and fire.
5. **When battery pack is not in use, keep it away from other metal objects, like paper clips, coins, keys, nails, screws or other small metal objects, that can make a connection from one terminal to another.** Shorting the battery terminals together may cause burns or a fire.
6. **Under abusive conditions, liquid may be ejected from the battery; avoid contact. If contact accidentally occurs, flush with water. If liquid contacts eyes, seek medical help.** Liquid ejected from the battery may cause irritation or burns.
7. **Do not use a battery pack or machine that is damaged or modified.** Damaged or modified batteries may exhibit unpredictable behaviour resulting in fire, explosion or risk of injury.
8. **Do not expose a battery pack or machine to fire or excessive temperature.** Exposure to fire or temperature above 130°C (265°F) may cause explosion.
9. **Follow all charging instructions and do not charge the battery pack or machine outside of the temperature range specified in the instructions.** Charging improperly or at temperatures outside of the specified range may damage the battery and increase the risk of fire.
10. **Have servicing performed by a qualified repair person using only identical replacement parts.** This will ensure that the safety of the product is maintained.

Maintenance and storage

1. **Keep all nuts, bolts and screws tight to be sure the machine is in safe working condition.**
2. **If the parts are worn or damaged, replace them with parts provided by Makita.**
3. **Store the machine in a dry place out of the reach of children.**
4. **When you stop the machine for inspection, servicing, storage, or changing accessory, switch off the machine and make sure that all moving parts come to a complete stop, and remove the battery cartridge. Cool down the machine before making any work on the machine. Maintain the machine with care and keep it clean.**
5. **Always cool down the machine before storing.**
6. **When you lift the machine, be sure to bend your knees and be careful not to hurt your back.**

Battery tool use and care

1. **Prevent unintentional starting. Ensure the switch is in the off-position before connecting to battery pack, picking up or carrying the machine.** Carrying the machine with your finger on the switch or energizing machine that have the switch on invites accidents.
2. **Disconnect the battery pack from the machine before making any adjustments, changing accessories, or storing machine.** Such preventive safety measures reduce the risk of starting the machine accidentally.

Electrical and battery safety

1. **Do not dispose of the battery(ies) in a fire.** The cell may explode. Check with local codes for possible special disposal instructions.
2. **Do not open or mutilate the battery(ies).** Released electrolyte is corrosive and may cause damage to the eyes or skin. It may be toxic if swallowed.
3. **Do not charge battery in rain, or in wet locations.**
4. **Do not charge the battery outdoors.**
5. **Do not handle charger, including charger plug, and charger terminals with wet hands.**
6. **Avoid dangerous environment. Don't use the tool in dump or wet locations or expose it to rain.** Water entering the tool will increase the risk of electric shock.

Service

1. **Have your power tool serviced by a qualified repair person using only identical replacement parts.** This will ensure that the safety of the power tool is maintained.

- Never service damaged battery packs. Service of battery packs should only be performed by the manufacturer or authorized service providers.

SAVE THESE INSTRUCTIONS.

⚠WARNING: DO NOT let comfort or familiarity with product (gained from repeated use) replace strict adherence to safety rules for the subject product.

MISUSE or failure to follow the safety rules stated in this instruction manual may cause serious personal injury.

⚠WARNING: Use of this product can create dust containing chemicals which may cause respiratory or other illnesses. Some examples of these chemicals are compounds found in pesticides, insecticides, fertilizers and herbicides.

Your risk from these exposures varies, depending on how often you do this type of work. To reduce your exposure to these chemicals: work in a well ventilated area, and work with approved safety equipment, such as those dust masks that are specially designed to filter out microscopic particles.

Symbols

The followings show the symbols used for tool.

V	volts
— — —	direct current

Important safety instructions for battery cartridge

- Before using battery cartridge, read all instructions and cautionary markings on (1) battery charger, (2) battery, and (3) product using battery.
- Do not disassemble or tamper the battery cartridge. It may result in a fire, excessive heat, or explosion.
- If operating time has become excessively shorter, stop operating immediately. It may result in a risk of overheating, possible burns and even an explosion.
- If electrolyte gets into your eyes, rinse them out with clear water and seek medical attention right away. It may result in loss of your eyesight.
- Do not short the battery cartridge:
 - Do not touch the terminals with any conductive material.
 - Avoid storing battery cartridge in a container with other metal objects such as nails, coins, etc.
 - Do not expose battery cartridge to water or rain.

A battery short can cause a large current flow, overheating, possible burns and even a breakdown.

- Do not store and use the tool and battery cartridge in locations where the temperature may reach or exceed 50 °C (122 °F).
- Do not incinerate the battery cartridge even if it is severely damaged or is completely worn out. The battery cartridge can explode in a fire.
- Do not nail, cut, crush, throw, drop the battery cartridge, or hit against a hard object to the battery cartridge. Such conduct may result in a fire, excessive heat, or explosion.
- Do not use a damaged battery.
- The contained lithium-ion batteries are subject to the Dangerous Goods Legislation requirements.

For commercial transports e.g. by third parties, forwarding agents, special requirement on packaging and labeling must be observed. For preparation of the item being shipped, consulting an expert for hazardous material is required. Please also observe possibly more detailed national regulations.

Tape or mask off open contacts and pack up the battery in such a manner that it cannot move around in the packaging.
- When disposing the battery cartridge, remove it from the tool and dispose of it in a safe place. Follow your local regulations relating to disposal of battery.
- Use the batteries only with the products specified by Makita. Installing the batteries to non-compliant products may result in a fire, excessive heat, explosion, or leak of electrolyte.
- If the tool is not used for a long period of time, the battery must be removed from the tool.
- During and after use, the battery cartridge may take on heat which can cause burns or low temperature burns. Pay attention to the handling of hot battery cartridges.
- Do not touch the terminal of the tool immediately after use as it may get hot enough to cause burns.
- Do not allow chips, dust, or soil stuck into the terminals, holes, and grooves of the battery cartridge. It may result in poor performance or breakdown of the tool or battery cartridge.
- Unless the tool supports the use near high-voltage electrical power lines, do not use the battery cartridge near high-voltage electrical power lines. It may result in a malfunction or breakdown of the tool or battery cartridge.
- Keep the battery away from children.

SAVE THESE INSTRUCTIONS.

⚠CAUTION: Only use genuine Makita batteries. Use of non-genuine Makita batteries, or batteries that have been altered, may result in the battery bursting causing fires, personal injury and damage. It will also void the Makita warranty for the Makita tool and charger.

Tips for maintaining maximum battery life

1. Charge the battery cartridge before completely discharged. Always stop tool operation and charge the battery cartridge when you notice less tool power.
2. Never recharge a fully charged battery cartridge. Overcharging shortens the battery service life.
3. Charge the battery cartridge with room temperature at 10 °C - 40 °C (50 °F - 104 °F). Let a hot battery cartridge cool down before charging it.
4. When not using the battery cartridge, remove it from the tool or the charger.

ASSEMBLY

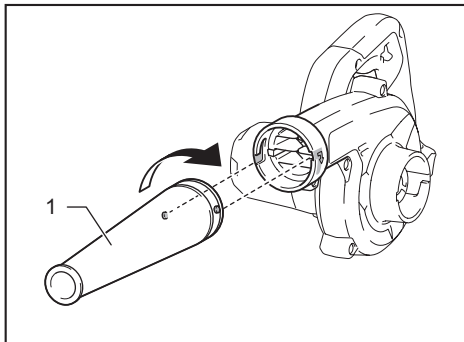
CAUTION: Always be sure that the machine is switched off and the battery cartridge is removed before carrying out any work on the machine.

Assembly for blowing

Installing or removing the nozzle

Optional accessory for BU02

Align the protrusions on the nozzle with the grooves on the main unit, then insert the nozzle into the main unit, and then turn it to lock it into place.



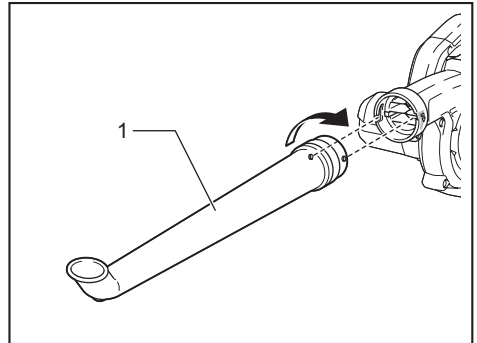
► 1. Nozzle

To remove the nozzle, perform the installation procedure in reverse.

Installing or removing the garden nozzle

Optional accessory for BU01

Align the protrusions on the garden nozzle with the grooves on the main unit, then insert the garden nozzle into the main unit, and then turn it to lock it into place.



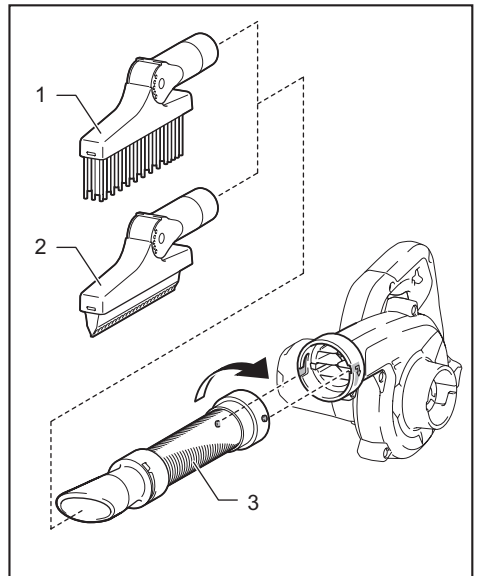
► 1. Garden nozzle

To remove the garden nozzle, perform the installation procedure in reverse.

Installing or removing the brush and wiper nozzle

Optional accessory for BU01 / BU02

Attach the brush nozzle or wiper nozzle to the flexible hose, and then install the flexible hose to the main unit.



► 1. Brush nozzle 2. Wiper nozzle 3. Flexible hose

To remove the brush nozzle or wiper nozzle, perform the installation procedure in reverse.

Installing or removing the long nozzle

Optional accessory for BU01 / BU02

Install the long nozzle in the same way as the nozzle. To remove the long nozzle, perform the installation procedure in reverse.

Installing or removing the tapered nozzle

Optional accessory for BU01 / BU02

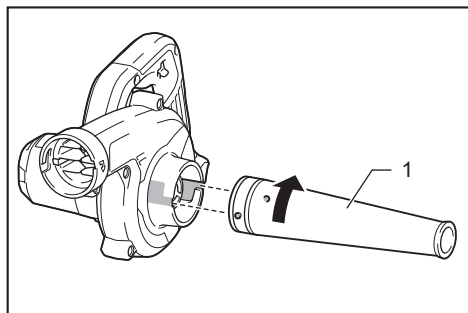
Attach the tapered nozzle to the nozzle, and then install the nozzle to the main unit. To remove the tapered nozzle, perform the installation procedure in reverse.

Assembly for vacuuming

Installing or removing the nozzle

Optional accessory for BU02

Align the protrusions on the nozzle with the grooves on the main unit, then insert the nozzle into the main unit, and then turn it to lock it into place.



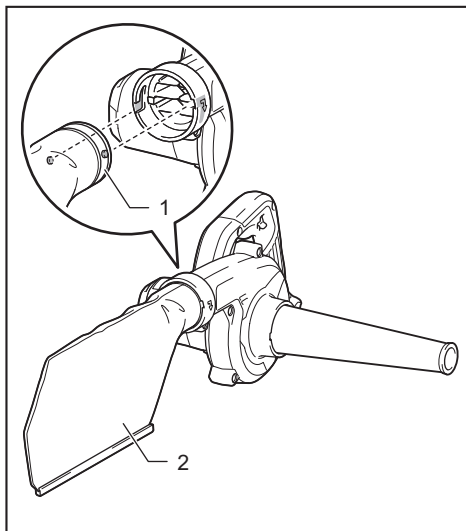
► 1. Nozzle

To remove the nozzle, perform the installation procedure in reverse.

Installing or removing the dust bag

Optional accessory for BU01 / BU02

Align the protrusions on the joint of dust bag with the grooves on the main unit, then insert the joint into the main unit, and then turn it to lock it into place.



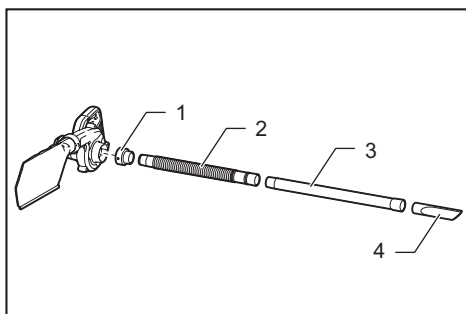
► 1. Joint 2. Dust bag

To remove the dust bag, perform the installation procedure in reverse.

Installing or removing the flexible hose set

Optional accessory for BU01 / BU02

Attach the joint, flexible hose, pipe, and sash nozzle to the main unit in order.



► 1. Joint 2. Flexible hose 3. Pipe 4. Sash nozzle

To remove the flexible hose set, perform the installation procedure in reverse.

FUNCTIONAL DESCRIPTION

CAUTION: Always be sure that the machine is switched off and the battery cartridge is removed before adjusting or checking function on the machine.

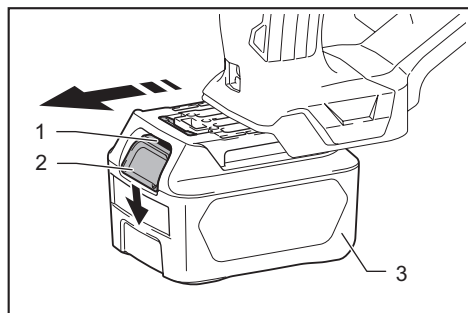
Installing or removing battery cartridge

CAUTION: Always switch off the machine before installing or removing of the battery cartridge.

CAUTION: Hold the machine and the battery cartridge firmly when installing or removing battery cartridge. Failure to hold the machine and the battery cartridge firmly may cause them to slip off your hands and result in damage to the machine and battery cartridge and a personal injury.

CAUTION: Always install the battery cartridge fully until the red indicator cannot be seen. If not, it may accidentally fall out of the machine, causing injury to you or someone around you.

CAUTION: Do not install the battery cartridge forcibly. If the cartridge does not slide in easily, it is not being inserted correctly.



► 1. Red indicator 2. Button 3. Battery cartridge

To remove the battery cartridge, slide it from the machine while sliding the button on the front of the cartridge.

To install the battery cartridge, align the tongue on the battery cartridge with the groove in the housing and slip it into place. Insert it all the way until it locks in place with a little click. If you can see the red indicator on the upper side of the button, it is not locked completely.

Battery protection system

The machine is equipped with a battery protection system. This system automatically cuts off power to the motor to extend battery life.

The machine will automatically stop during operation if the machine and/or battery are placed under one of the following conditions:

Overloaded:

The machine is operated in a manner that causes it to draw an abnormally high current.

In this situation, turn the machine off and stop the application that caused the machine to become overloaded. Then turn the machine on to restart.

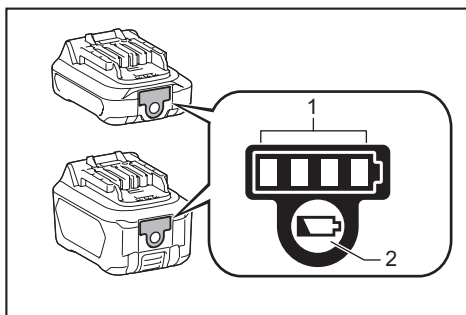
If the machine does not start, the battery is overheated. In this situation, let the battery cool before turning the machine on again.

Low battery voltage:

The remaining battery capacity is too low and the machine will not operate. If you turn the machine on, the motor runs again but stops soon. In this situation, remove and recharge the battery.

Indicating the remaining battery capacity

Only for battery cartridges with the indicator



► 1. Indicator lamps 2. Check button

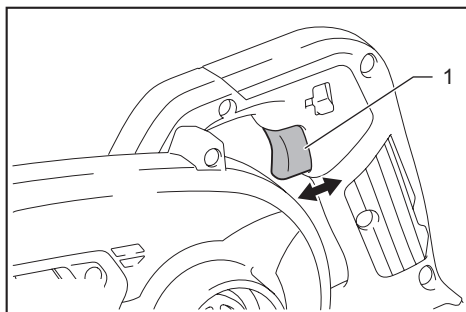
Press the check button on the battery cartridge to indicate the remaining battery capacity. The indicator lamps light up for a few seconds.

Indicator lamps		Remaining capacity
Lighted	Off	
■ ■ ■ ■	□	75% to 100%
■ ■ ■ □	□	50% to 75%
■ ■ □ □	□	25% to 50%
■ □ □ □	□	0% to 25%

NOTE: Depending on the conditions of use and the ambient temperature, the indication may differ slightly from the actual capacity.

Switch action

⚠ WARNING: Before installing the battery cartridge into the machine, always check to see that the switch trigger actuates properly and returns to the "OFF" position when released.

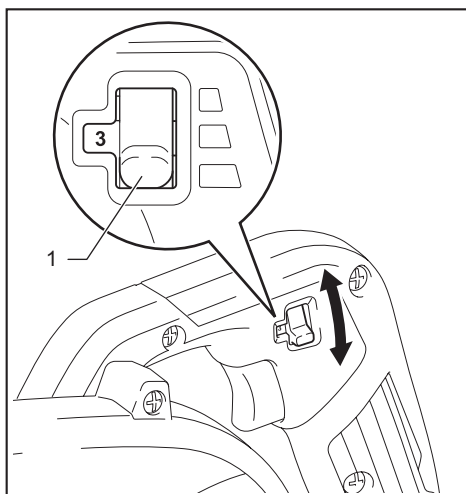


► 1. Switch trigger

To start the machine, pull the switch trigger. The speed is increased by increasing pressure on the switch trigger. Release the switch trigger to stop.

NOTICE: If the machine has been operated continuously until the battery has become empty, rest the machine for at least 15 minutes before operating the machine with a fresh battery.

Speed adjusting dial



► 1. Speed adjusting dial

The speed can be changed by turning the speed adjusting dial to a given number setting from 1 to 3. Higher speed is obtained when the dial is turned in the direction of number 3. Lower speed is obtained when it is turned in the direction of number 1.

Refer to the table for the relationship between the number settings on the dial and the speed.

Number	Speed
3	High
2	Medium
1	Low

NOTICE: When turning the dial, be sure to completely release the switch trigger. Otherwise, the machine may be damaged.

OPERATION

⚠ CAUTION: Do not place the machine on the ground while it is switched on. Sand or dust may enter from suction inlet and cause a malfunction or personal injury.

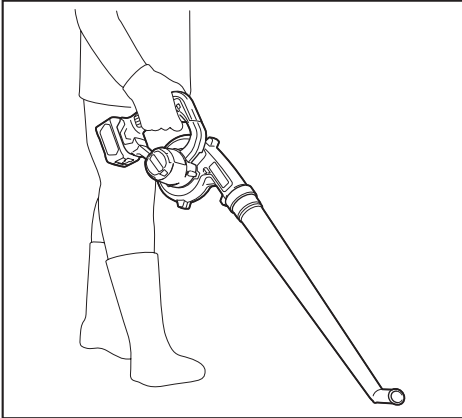
Blower operation

⚠ CAUTION: When performing the blower operation, be sure to remove the dust bag from the machine, and attach the nozzle in place for blowing.

Hold the machine firmly with a hand and perform the blowing operation by moving it around slowly. When blowing around building, big stone or vehicle, direct the nozzle away from them. When performing an operation in a corner, start from the corner and then move to wide area.

For BU01





Vacuuming operation

CAUTION: When performing the vacuuming operation, be sure to attach the dust bag and nozzle in place to the machine.

CAUTION: Check the dust bag frequently for wear or deterioration.

CAUTION: Be sure to fasten the fastener of the dust bag before operating the machine.

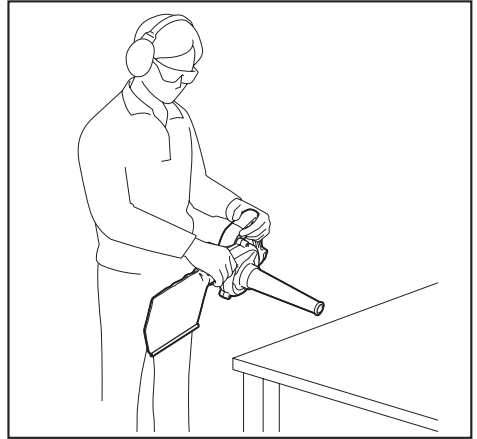
CAUTION: Always switch off the machine before opening or fastening the fastener of the dust bag.

NOTICE: When performing the vacuuming operation, do not use the garden nozzle. The materials sucked may be clogged, and cause a malfunction of the machine.

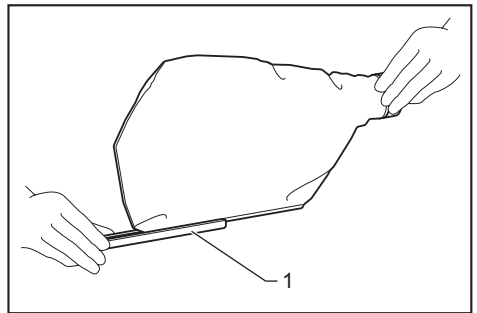
NOTICE: Do not allow wet materials, such as wet leaves, and foreign materials, such as large wood chips, metals, glass, pebbles, etc., to be sucked into the machine. Otherwise, a malfunction may occur.

NOTICE: Empty the dust bag before it becomes full. Otherwise, a malfunction may occur.

Hold the machine with both hands. While operating the machine, adjust the switch trigger so that the suction force is appropriate for the work location and conditions.



Empty the dust bag before it becomes too full by removing the dust bag from the machine, and then removing the fastener.



► 1. Fastener

MAINTENANCE

CAUTION: Always be sure that the machine is switched off and the battery cartridge is removed before attempting to perform inspection or maintenance.

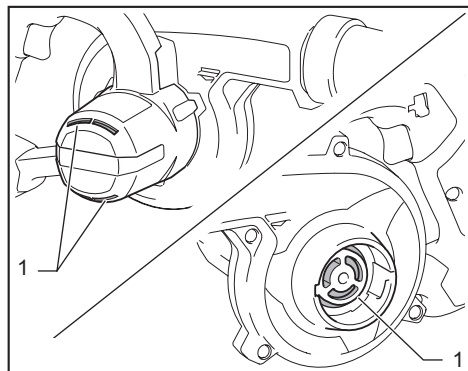
To maintain product SAFETY and RELIABILITY, repairs, any other maintenance or adjustment should be performed by Makita Authorized or Factory Service Centers, always using Makita replacement parts.

Cleaning the machine

Clean the machine by wiping off dust with a dry cloth or one dipped in soapy water and wrung out.

NOTICE: Never use gasoline, benzine, thinner, alcohol or the like. Discoloration, deformation or cracks may result.

Remove dust or dirt from the suction inlets.



► 1. Suction inlet

TROUBLESHOOTING

Before asking for repairs, conduct your own inspection first. If you find a problem that is not explained in the manual, do not attempt to dismantle the machine. Instead, ask Makita Authorized Service Centers, always using Makita replacement parts for repairs.

State of abnormality	Probable cause (malfunction)	Remedy
Motor does not run.	Battery cartridge is not installed.	Install the battery cartridge.
	Battery problem (under voltage)	Recharge the battery. If recharging is not effective, replace battery.
	The drive system does not work correctly.	Ask your local authorized service center for repair.
Motor stops running after a little use.	Battery's charge level is low.	Recharge the battery. If recharging is not effective, replace battery.
	Overheating.	Stop using the machine to allow it to cool down.
The machine does not reach the maximum speed.	Battery is installed improperly.	Install the battery cartridge as described in this manual.
	Battery power is dropping.	Recharge the battery. If recharging is not effective, replace battery.
	The drive system does not work correctly.	Ask your local authorized service center for repair.
Abnormal vibration: ⇒ stop the machine immediately!	The drive system does not work correctly.	Ask your local authorized service center for repair.
Motor cannot stop: ⇒ Remove the battery immediately!	Electric or electronic malfunction.	Remove the battery and ask your local authorized service center for repair.

OPTIONAL ACCESSORIES

⚠ CAUTION: These accessories or attachments are recommended for use with your Makita product specified in this manual. The use of any other accessories or attachments might present a risk of injury to persons. Only use accessory or attachment for its stated purpose.

If you need any assistance for more details regarding these accessories, ask your local Makita Service Center.

- Nozzle
- Garden nozzle
- Dust bag
- Long nozzle
- Tapered nozzle
- Flexible hose set
- Flexible hose complete (for brush/wiper nozzle)
- Brush nozzle
- Wiper nozzle
- Makita genuine battery and charger

NOTE: Some items in the list may be included in the product package as standard accessories. They may differ from country to country.

MAKITA LIMITED WARRANTY

Please refer to the annexed warranty sheet for the most current warranty terms applicable to this product. If annexed warranty sheet is not available, refer to the warranty details set forth at below website for your respective country.

United States of America: www.makitatools.com

Canada: www.makita.ca

Other countries: www.makita.com

ESPECIFICACIONES

Modelo:		BU01	BU02
Capacidades	Volumen de aire *1	0 m ³ /min a 2,6 m ³ /min (0 cu.ft./min a 92 cu.ft./min)	
	Velocidad del aire (promedio)	0 m/s a 62 m/s (0 MPH a 139 MPH) *2	0 m/s a 45 m/s (0 MPH a 101 MPH) *3
	Velocidad del aire (máx.)	0 m/s a 75 m/s (0 MPH a 168 MPH) *2	0 m/s a 56 m/s (0 MPH a 125 MPH) *3
Longitud total		508 mm (20") *4	852 mm (33-1/2") *5
Tensión nominal		10,8 V - 12 V c.c. máx.	
Peso neto	Con boquilla	1,4 - 1,9 kg (3,1 - 4,2 lbs)	-
	Con boquilla para jardín	-	1,4 - 1,9 kg (3,1 - 4,2 lbs)

*1. Sin boquillas.

*2. Con boquilla.

*3. Con boquilla para jardín.

*4. Con boquilla y cartucho de batería (BL1041B) y sin bolsa recolectora de polvo.

*5. Con boquilla para jardín y cartucho de batería (BL1041B) y sin bolsa recolectora de polvo.

- Debido a nuestro continuo programa de investigación y desarrollo, las especificaciones aquí incluidas están sujetas a cambio sin previo aviso.
- Las especificaciones pueden variar de país a país.
- El peso puede variar en función de los accesorios, incluido el cartucho de batería. En la tabla se muestra la combinación de peso más ligero y más pesado conforme al procedimiento 01/2014 de EPTA.

Cartucho de batería y cargador aplicables

Cartucho de batería	BL1016 / BL1021B / BL1041B
Cargador	DC10SB / DC10WD / DC18RE

- Algunos de los cartuchos de batería y cargadores enumerados arriba podrían no estar disponibles dependiendo de su área de residencia.

⚠ ADVERTENCIA: Use únicamente los cartuchos de batería y los cargadores indicados arriba. El uso de cualquier otro cartucho de batería y cargador podría ocasionar una lesión y/o un incendio.

ADVERTENCIAS DE SEGURIDAD

Advertencias generales de seguridad para herramientas eléctricas

⚠ ADVERTENCIA: Lea todas las advertencias de seguridad, instrucciones, ilustraciones y especificaciones suministradas con esta herramienta eléctrica. El no seguir todas las instrucciones indicadas a continuación podría ocasionar una descarga eléctrica, incendio y/o lesiones graves.

Conserve todas las advertencias e instrucciones como referencia en el futuro.

En las advertencias, el término "herramienta eléctrica" se refiere a su herramienta eléctrica de funcionamiento con conexión a la red eléctrica (con cableado eléctrico) o herramienta eléctrica de funcionamiento a batería (inalámbrica).

Seguridad en el área de trabajo

1. **Mantenga el área de trabajo limpia y bien iluminada.** Las áreas oscuras o desordenadas son propensas a accidentes.
2. **No utilice las herramientas eléctricas en atmósferas explosivas, tal como en la presencia de líquidos, gases o polvo inflamables.** Las herramientas eléctricas crean chispas que pueden prender fuego al polvo o los humos.
3. **Mantenga a los niños y curiosos alejados mientras utiliza una herramienta eléctrica.** Las distracciones le pueden hacer perder el control.

Seguridad eléctrica

1. **Las clavijas de conexión de las herramientas eléctricas deberán encajar perfectamente en la toma de corriente. No modifique nunca la clavija de conexión de ninguna forma. No utilice ninguna clavija adaptadora con herramientas eléctricas que tengan conexión a tierra (puesta a tierra).** La utilización de clavijas no modificadas y que encajen perfectamente en la toma de corriente reducirá el riesgo de que se produzca una descarga eléctrica.

2. **Evite tocar con el cuerpo superficies conectadas a tierra o puestas a tierra tales como tubos, radiadores, cocinas y refrigeradores.** Si su cuerpo es puesto a tierra o conectado a tierra existirá un mayor riesgo de que sufra una descarga eléctrica.
3. **No exponga las herramientas eléctricas a la lluvia ni a condiciones húmedas.** La entrada de agua en una herramienta eléctrica aumentará el riesgo de que se produzca una descarga eléctrica.
4. **No maltrate el cable. Nunca utilice el cable para transportar, jalar o desconectar la herramienta eléctrica. Mantenga el cable alejado del calor, aceite, objetos cortantes o piezas móviles.** Los cables dañados o enredados aumentan el riesgo de sufrir una descarga eléctrica.
5. **Cuando utilice una herramienta eléctrica en exteriores, utilice un cable de extensión apropiado para uso en exteriores.** La utilización de un cable apropiado para uso en exteriores reducirá el riesgo de que se produzca una descarga eléctrica.
6. **Si no es posible evitar usar una herramienta eléctrica en condiciones húmedas, utilice un alimentador protegido con interruptor de circuito de falla a tierra (ICFT).** El uso de un ICFT reduce el riesgo de descarga eléctrica.
7. **Las herramientas eléctricas pueden producir campos electromagnéticos (CEM) que no son dañinos para el usuario.** Sin embargo, si los usuarios tienen marcapasos y otros dispositivos médicos similares, deberán consultar al fabricante de su dispositivo y/o a su médico antes de operar esta herramienta eléctrica.
6. **Use una vestimenta apropiada. No use ropa suelta ni alhajas. Mantenga el cabello, la ropa y los guantes alejados de las piezas móviles.** Las prendas de vestir holgadas, las alhajas y el cabello largo suelto podrían engancharse en estas piezas móviles.
7. **Si dispone de dispositivos para la conexión de equipos de extracción y recolección de polvo, asegúrese de conectarlos y utilizarlos debidamente.** Hacer uso de la recolección de polvo puede reducir los riesgos relacionados con el polvo.
8. **No permita que la familiaridad adquirida debido al uso frecuente de las herramientas haga que se sienta confiado e ignore los principios de seguridad de las herramientas.** Un descuido podría ocasionar una lesión grave en una fracción de segundo.
9. **Utilice siempre gafas protectoras para proteger sus ojos de lesiones al usar herramientas eléctricas. Las gafas deben cumplir con la Norma ANSI Z87.1 en EUA.** Es responsabilidad del empleador imponer el uso de equipos protectores de seguridad apropiados a los operadores de la herramienta y demás personas cerca del área de trabajo.

Mantenimiento y uso de la herramienta eléctrica

1. **No fuerce la herramienta eléctrica. Utilice la herramienta eléctrica correcta para su aplicación.** La herramienta eléctrica adecuada hará un mejor trabajo y de forma más segura a la velocidad para la que ha sido fabricada.
2. **No utilice la herramienta eléctrica si el interruptor no la enciende y apaga.** Cualquier herramienta eléctrica que no pueda ser controlada con el interruptor es peligrosa y debe ser reemplazada.
3. **Desconecte la clavija de la fuente de alimentación y/o retire la batería de la herramienta eléctrica, en caso de ser removible, antes de realizar ajustes, cambiar accesorios o almacenar las herramientas eléctricas.** Tales medidas de seguridad preventivas reducirán el riesgo de poner en marcha la herramienta eléctrica de forma accidental.
4. **Guarde la herramienta eléctrica que no use fuera del alcance de los niños y no permita que las personas que no están familiarizadas con ella o con las instrucciones la operen.** Las herramientas eléctricas son peligrosas en manos de personas que no saben operarlas.
5. **Dé mantenimiento a las herramientas eléctricas y los accesorios. Compruebe que no haya piezas móviles desalineadas o estancadas, piezas rotas y cualquier otra condición que pueda afectar al funcionamiento de la herramienta eléctrica. Si la herramienta eléctrica está dañada, haga que la reparen antes de utilizarla.** Muchos de los accidentes son ocasionados por no dar un mantenimiento adecuado a las herramientas eléctricas.
6. **Mantenga las herramientas de corte limpias y filosas.** Si recibe un mantenimiento adecuado y tiene los bordes afilados, es probable que la herramienta se atasque menos y sea más fácil controlarla.

Seguridad personal

1. **Manténgase alerta, preste atención a lo que está haciendo y utilice su sentido común cuando opere una herramienta eléctrica. No utilice una herramienta eléctrica cuando esté cansado o bajo la influencia de drogas, alcohol o medicamentos.** Un momento de distracción mientras opera las herramientas eléctricas puede terminar en una lesión grave.
2. **Use equipo de protección personal. Póngase siempre protección para los ojos.** El equipo protector tal como máscara contra el polvo, zapatos de seguridad antiderrapantes, casco rígido y protección para oídos utilizado en las condiciones apropiadas reducirá el riesgo de lesiones.
3. **Impida el encendido accidental. Asegúrese de que el interruptor esté en la posición de apagado antes de conectar a la alimentación eléctrica y/o de colocar el cartucho de batería, así como al levantar o cargar la herramienta.** Cargar las herramientas eléctricas con su dedo en el interruptor o enchufarlas con el interruptor encendido hace que los accidentes sean comunes.
4. **Retire cualquier llave de ajuste o llave de apriete antes de encender la herramienta.** Una llave de ajuste o llave de apriete que haya sido dejada puesta en una parte giratoria de la herramienta eléctrica puede ocasionar alguna lesión.
5. **No utilice la herramienta donde no alcance. Mantenga los pies sobre suelo firme y el equilibrio en todo momento.** Esto permite un mejor control de la herramienta eléctrica en situaciones inesperadas.

7. **Utilice la herramienta eléctrica, los accesorios y las brocas de acuerdo con estas instrucciones, considerando las condiciones laborales y el trabajo a realizar.** Si utiliza la herramienta eléctrica para realizar operaciones distintas de las indicadas, podrá presentarse una situación peligrosa.
8. **Mantenga los mangos y superficies de asimiento secos, limpios y libres de aceite o grasa.** Los mangos y superficies de asimiento resbalosos no permiten una manipulación segura ni el control de la herramienta en situaciones inesperadas.
9. **Cuando vaya a utilizar esta herramienta, evite usar guantes de trabajo de tela ya que éstos podrían atorarse.** Si los guantes de trabajo de tela llegan a atorarse en las piezas móviles, esto podría ocasionar lesiones personales.

Uso y cuidado de la herramienta a batería

1. **Recargue sólo con el cargador especificado por el fabricante.** Un cargador que es adecuado para un solo tipo de batería puede generar riesgo de incendio al ser utilizado con otra batería.
2. **Utilice las herramientas eléctricas solamente con las baterías designadas específicamente para ellas.** La utilización de cualquier otra batería puede crear un riesgo de lesiones o incendio.
3. **Cuando no se esté usando la batería, manténgala alejada de otros objetos metálicos, como sujetapapeles (clips), monedas, llaves, clavos, tornillos u otros objetos pequeños de metal los cuales pueden actuar creando una conexión entre las terminales de la batería.** Originar un cortocircuito en las terminales puede causar quemaduras o incendios.
4. **En condiciones abusivas, podrá escapar líquido de la batería; evite tocarlo. Si lo toca accidentalmente, enjuague con agua. Si hay contacto del líquido con los ojos, busque asistencia médica.** Puede que el líquido expulsado de la batería cause irritación o quemaduras.
5. **No utilice una herramienta ni una batería que estén dañadas o hayan sido modificadas.** Las baterías dañadas o modificadas podrían ocasionar una situación inesperada provocando un incendio, explosión o riesgo de lesiones.
6. **No exponga la herramienta ni la batería al fuego ni a una temperatura excesiva.** La exposición al fuego o a una temperatura superior a los 130 °C podría causar una explosión.
7. **Siga todas las instrucciones para la carga y evite cargar la herramienta o la batería fuera del rango de temperatura especificado en las instrucciones.** Una carga inadecuada o a una temperatura fuera del rango especificado podría dañar la batería e incrementar el riesgo de incendio.

Servicio

1. **Haga que una persona calificada repare la herramienta eléctrica utilizando sólo piezas de repuesto idénticas.** Esto asegura que se mantenga la seguridad de la herramienta eléctrica.
2. **Nunca dé servicio a baterías que estén dañadas.** El servicio a las baterías solamente deberá ser efectuado por el fabricante o un agente de servicio autorizado.

3. **Siga las instrucciones para la lubricación y cambio de accesorios.**
4. **No modifique ni intente reparar el aparato ni el paquete de baterías salvo como se indique en las instrucciones para el uso y cuidado.**

INSTRUCCIONES IMPORTANTES DE SEGURIDAD

Al usar cualquier aparato eléctrico, siempre deben seguirse las precauciones básicas, incluyendo las siguientes:

LEA TODAS LAS INSTRUCCIONES ANTES DE USAR EL APARATO. ADVERTENCIA: Para reducir el riesgo de incendio, descarga eléctrica o lesión:

1. **No deje el aparato con la batería puesta.** Retire la batería del aparato cuando no lo vaya a utilizar y antes de dar servicio de mantenimiento.
2. **No lo exponga a la lluvia.** Almacénelo en interiores.
3. **No permita que sea utilizado como un juguete.** Preste mucha atención cuando sea utilizado por niños o cerca de ellos.
4. **Utilícelo solamente como se describe en este manual.** Sólo use aditamentos recomendados por el fabricante.
5. **No lo utilice con una batería dañada.** Si el aparato no está funcionando como debiera, se ha dejado caer, se ha dañado, se ha dejado a la intemperie o ha caído sobre agua, llévelo a un centro de servicio.
6. **No introduzca ningún objeto en las aberturas.** No lo utilice con ninguna abertura bloqueada; manténgalo libre de polvo, pelusa, cabello y cualquier objeto que pueda reducir el flujo de aire.
7. **Mantenga el cabello, la ropa holgada, los dedos y todas las partes del cuerpo lejos de las aberturas y piezas móviles.**
8. **Tenga especial cuidado cuando limpie en escaleras.**
9. **Utilice solamente el cargador suministrado por el fabricante para recargar.**
10. **No la utilice para recoger líquidos inflamables o combustibles, tal como gasolina, ni en áreas donde puedan estar presentes.**
11. **No recoja nada que se esté quemando o desprenda humo, tal como cigarrillos, fósforos o cenizas calientes.**
12. **No la utilice sin la bolsa recolectora de polvo colocada cuando recolecte polvo.**

GUARDE ESTAS INSTRUCCIONES.

Este aparato está diseñado para un uso doméstico.

Instrucciones de seguridad para la sopladora Inalámbrica

Preparación

1. Siempre use calzado robusto y pantalones largos al operar la máquina.
2. No use ropa holgada o alhajas que puedan ser jaladas hacia la entrada de aire. Mantenga el cabello largo lejos de las entradas de aire.
3. Use siempre gafas protectoras, una gorra y una mascarilla cuando utilice la máquina. Los anteojos comunes o para el sol NO son gafas de seguridad.
4. Para evitar la irritación por polvo, se recomienda el uso de una mascarilla.
5. Cuando opere la máquina use siempre calzado de protección con suela antiderrapante. Los zapatos y botas de seguridad cerrados con suela antideslizante reducen el riesgo de lesiones.

Operación

1. Nunca opere la máquina cuando haya personas, especialmente niños, o mascotas cerca.
2. Apague la máquina y retire el cartucho de batería y asegúrese de que todas las partes móviles se hayan detenido por completo
 - cada vez que deje la máquina.
 - antes de despejar obstrucciones.
 - antes de revisar, limpiar o trabajar en la máquina.
 - si la máquina empieza a vibrar de manera anormal.
 - cada vez que cambie la máquina de sopladora a aspiradora y viceversa.
3. Utilice la máquina solamente a la luz del día o en buenas condiciones de iluminación artificial.
4. No use una postura forzada y mantenga el equilibrio y los pies en firme en todo momento.
5. Nunca sople escombros en dirección de las personas cercanas.
6. Utilice la máquina en una posición recomendada y sobre una superficie firme.
7. No opere la máquina en lugares elevados.
8. Cuando utilice la máquina, no apunte nunca la boquilla a nadie alrededor.
9. Nunca bloquee la entrada de succión o la salida de la sopladora.
 - Tenga cuidado de no bloquear la entrada de succión o la salida de la sopladora con polvo o suciedad al operar en áreas con polvo.
 - No use boquillas que no sean las proporcionadas por Makita.
 - No utilice la sopladora para inflar pelotas, botes de caucho o similares.
10. No haga funcionar la máquina cerca de una ventana abierta, etc.
11. Se recomienda operar la máquina solo a horas razonables, no temprano en la mañana o tarde en la noche para no molestar a las personas.

12. Se recomienda usar rastrillos y escobas para aflojar los residuos antes de soplar.
13. Si la máquina golpea algún objeto extraño o comienza a hacer cualquier ruido o vibración inusual, apague la máquina inmediatamente para detenerlo. Retire el cartucho de batería de la máquina e inspeccione la máquina para verificar si hay algún daño antes de volver a encenderla y ponerla en funcionamiento. Si la máquina se daña, solicite la reparación a los centros de servicio autorizado de Makita.
14. No introduzca los dedos u otros objetos en la entrada de succión o en la salida de la sopladora.
15. Evite un arranque accidental. Asegúrese de que el interruptor esté en la posición apagada antes de insertar el cartucho de batería, levantar la máquina o cargarla. Cargar la máquina con su dedo en el interruptor o pasar energía a la máquina con el interruptor encendido puede propiciar accidentes.
16. Nunca sople o aspire materiales peligrosos, como clavos, fragmentos de vidrio o cuchillas.
17. No opere la máquina cerca de materiales inflamables.
18. Evite hacer funcionar la máquina durante mucho tiempo en ambientes de temperatura baja.
19. Siempre utilice la bolsa recolectora de polvo cuando recolecte polvo, rebabas y objetos similares.
20. No recoja cenizas de cigarrillos humeantes, virutas de metal recién cortadas, tornillos, clavos y similares.

Mantenimiento y almacenamiento

1. Mantenga apretados todos los tuercas, pernos y tornillos para asegurar que la máquina se encuentre en condiciones seguras de operación.
2. Si las piezas están desgastadas o dañadas, reemplácelas con piezas proporcionadas por Makita.
3. Guarde la máquina en un lugar seco fuera del alcance de los niños.
4. Cuando detenga la máquina para inspeccionarla, repararla, almacenarla o cambiarle un accesorio, apáguela y asegúrese de que todas las partes en movimiento se detengan por completo y retire el cartucho de batería. Enfríe la máquina antes de realizar cualquier trabajo en la misma. Mantenga la máquina con cuidado y manténgala limpia.
5. Siempre permita que la máquina se enfríe antes de almacenarla.
6. Cuando levante la máquina, asegúrese de doblar las rodillas y tenga cuidado de no lastimarse la espalda.

Uso y cuidado de la herramienta a batería

1. Evite una puesta en marcha accidental. Asegúrese de que el interruptor esté en la posición apagada antes de conectar el paquete de baterías, levantar la herramienta o cargarla. Cargar la herramienta con su dedo en el interruptor o pasar energía a la herramienta con el interruptor encendido puede propiciar accidentes.

2. **Desconecte el paquete de baterías de la herramienta antes de hacer cualquier ajuste, cambiar accesorios o almacenar la herramienta.** Estas medidas de seguridad preventivas reducen el riesgo de poner en marcha la herramienta accidentalmente.
3. **Recargue sólo con el cargador especificado por el fabricante.** Un cargador que sea adecuado para un tipo específico de paquete de batería puede generar un riesgo de incendio al usarse con un paquete de batería distinto.
4. **Use las herramientas únicamente con los paquetes de baterías designados específicamente para ellas.** El uso de otros paquetes de baterías puede generar riesgo de lesiones e incendio.
5. **Cuando no se esté usando el paquete de batería, manténgalo alejado de otros objetos metálicos, como sujetapapeles (clips), monedas, llaves, clavos, tornillos u otros objetos pequeños de metal que puedan crear una conexión entre una terminal y otra.** Causar un cortocircuito en las terminales de la batería puede provocar quemaduras o incendio.
6. **En condiciones de mal uso, podría escapar líquido de la batería; evite el contacto. Si toca el líquido accidentalmente, enjuague con agua. Si hay contacto del líquido con los ojos, solicite atención médica.** El líquido expulsado de la batería puede causar irritación o quemaduras.
7. **No utilice un paquete de baterías o una herramienta que esté dañado/dañada o haya sido modificado/modificada.** Las baterías dañadas o modificadas podrían comportarse de manera impredecible causando un incendio, explosión o riesgo de lesión.
8. **No exponga un paquete de baterías o una herramienta al fuego o a una temperatura excesiva.** La exposición al fuego a una temperatura superior a 130 °C (265 °F) podría causar una explosión.
9. **Siga todas las instrucciones relativas a la carga y no cargue el paquete de baterías o la herramienta fuera del rango de temperatura especificado en las instrucciones.** Cargar de manera inapropiada o a temperaturas fuera del rango especificado podría dañar la batería e incrementar el riesgo de incendio.
10. **Pida que el servicio lo realice un técnico en reparaciones calificado y que utilice únicamente piezas de repuesto idénticas a las originales.** Esto garantizará que se mantenga la seguridad del producto.
11. **No modifique ni intente reparar la herramienta ni el paquete de baterías salvo como se indique en las instrucciones para el uso y cuidado.**

Seguridad eléctrica y de la batería

1. **No arroje la(s) batería(s) al fuego.** La celda podría explotar. Consulte los códigos locales para ver si hay instrucciones especiales relativas al desecho.
2. **No abra ni dañe la(s) batería(s).** Los electrolitos liberados son corrosivos y pueden ocasionar daños en los ojos o la piel. Pueden ser tóxicos si se llegan a tragar.

3. **No cargue la batería bajo la lluvia ni en lugares mojados.**
4. **No cargue la batería en exteriores.**
5. **No manipule el cargador, incluida la la clavija del cargador, ni los terminales con las manos mojadas.**
6. **Evite los entornos peligrosos. No utilice la herramienta en lugares húmedos o mojados ni la esponja a la lluvia.** El agua que ingrese a la herramienta incrementará el riesgo de descarga eléctrica.

Servicio

1. **Haga que una persona calificada repare la herramienta eléctrica utilizando sólo piezas de repuesto idénticas.** Esto asegura que se mantenga la seguridad de la herramienta eléctrica.
2. **Nunca dé servicio a baterías que estén dañadas.** El servicio a las baterías solamente deberá ser efectuado por el fabricante o un agente de servicio autorizado.

CONSERVE ESTAS INSTRUCCIONES.

⚠️ ADVERTENCIA: NO DEJE que la comodidad o familiaridad con el producto (a base de utilizarlo repetidamente) evite que siga estrictamente las normas de seguridad para dicho producto.

El USO INCORRECTO o el no seguir las normas de seguridad indicadas en este manual de instrucciones puede ocasionar lesiones graves.

⚠️ ADVERTENCIA: El uso de este producto puede producir polvo que contenga sustancias químicas que podrían causar enfermedades respiratorias o de otro tipo. Algunos ejemplos de estas sustancias químicas son los compuestos encontrados en pesticidas, insecticidas, fertilizantes y herbicidas.

El riesgo al que se expone varía, dependiendo de la frecuencia con la que realice este tipo de trabajo. Para reducir la exposición a estas sustancias químicas: trabaje en un área bien ventilada y use un equipo de seguridad aprobado, tal como las máscaras contra polvo que están especialmente diseñadas para filtrar partículas microscópicas.

Símbolos

A continuación se muestran los símbolos utilizados para la herramienta.

v	volts o voltios
— — —	corriente directa o continua

Instrucciones importantes de seguridad para el cartucho de batería

1. Antes de utilizar el cartucho de batería, lea todas las instrucciones e indicaciones de precaución en el (1) el cargador de batería, (2) la batería, y (3) el producto con el que se utiliza la batería.
2. No desarme ni modifique el cartucho de batería. Podría ocurrir un incendio, calor excesivo o una explosión.
3. Si el tiempo de operación se ha acortado en exceso, deje de operar de inmediato. Podría correrse el riesgo de sobrecalentamiento, posibles quemaduras e incluso explosión.
4. En caso de que ingresen electrolitos en sus ojos, enjuáguelos bien con agua limpia y consulte de inmediato a un médico. Esto podría ocasionar pérdida de visión.
5. Evite cortocircuitar el cartucho de batería:
 - (1) No toque las terminales con ningún material conductor.
 - (2) Evite guardar el cartucho de batería en un cajón junto con otros objetos metálicos, tales como clavos, monedas, etc.
 - (3) No esponga el cartucho de batería al agua o lluvia.
6. No guarde ni utilice la herramienta y el cartucho de batería en lugares donde la temperatura pueda alcanzar o exceder los 50 °C (122 °F).
7. Nunca incinere el cartucho de batería incluso en el caso de que esté dañado seriamente o ya no sirva en absoluto. El cartucho de batería puede explotar si se tira al fuego.
8. No clave, corte, aplaste, lance o deje caer el cartucho de batería, ni golpee un objeto sólido contra el cartucho de batería. Dicha acción podría resultar en un incendio, calor excesivo o en una explosión.
9. No use una batería dañada.
10. Las baterías de ión de litio están sujetas a los requisitos reglamentarios en materia de bienes peligrosos.

Para el transporte comercial, por ej., mediante terceros o agentes de transporte, se deben tomar en cuenta los requisitos especiales relativos al empaque y el etiquetado.

Para efectuar los preparativos del artículo que se va a enviar, se requiere consultar a un experto en materiales peligrosos. Si es posible, consulte además otras regulaciones nacionales más detalladas.

Pegue o cubra con cinta adhesiva los contactos abiertos y empaque la batería de manera que ésta no pueda moverse dentro del paquete.

11. Para deshacerse del cartucho de batería, sáquelo de la herramienta y deséchelo en un lugar seguro. Siga las regulaciones locales relacionadas al desecho de las baterías.
12. Utilice las baterías únicamente con los productos especificados por Makita. Instalar las baterías en productos que no cumplan con los requisitos podría ocasionar un incendio, un calentamiento excesivo, una explosión o una fuga de electrolito.
13. Si no se utiliza la herramienta por un período largo, debe extraerse la batería de la herramienta.
14. El cartucho de batería podría absorber calor durante y después de su uso, lo que ocasionaría quemaduras o quemaduras a baja temperatura. Tenga cuidado con la manipulación de los cartuchos de batería que estén calientes.
15. No toque el terminal de la herramienta inmediatamente después de su uso, ya que el mismo podría estar lo suficientemente caliente como para provocarle quemaduras.
16. No permita que las rebabas, el polvo o la tierra queden atrapados en los terminales, orificios y ranuras del cartucho de batería. Esto podría ocasionar un desempeño deficiente o descomposición de la herramienta o del cartucho de batería.
17. No utilice el cartucho de batería cerca de cables eléctricos de alto voltaje, a menos que la herramienta sea compatible con el uso cercano a estos cables eléctricos de alto voltaje. Esto podría ocasionar una avería o descomposición de la herramienta o del cartucho de batería.
18. Mantenga la batería alejada de los niños.

GUARDE ESTAS INSTRUCCIONES.

⚠PRECAUCIÓN: Utilice únicamente baterías originales de Makita. El uso de baterías no originales de Makita, o de baterías alteradas, puede ocasionar que las baterías exploten causando un incendio, lesiones personales y daños. Asimismo, esto invalidará la garantía de Makita para la herramienta y el cargador Makita.

Consejos para alargar al máximo la vida útil de la batería

1. Cargue el cartucho de batería antes de que se descargue completamente. Pare siempre la operación y cargue el cartucho de batería cuando note menos potencia en la herramienta.
2. No cargue nunca un cartucho de batería que esté completamente cargado. La sobrecarga acortará la vida de servicio de la batería.
3. Cargue el cartucho de batería a una temperatura ambiente de 10 °C - 40 °C (50 °F - 104 °F). Si un cartucho de batería está caliente, déjelo enfriar antes de cargarlo.
4. Cuando no utilice el cartucho de batería, sáquelo de la herramienta o del cargador.

MONTAJE

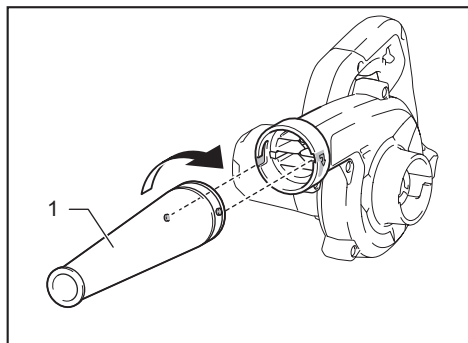
⚠️ PRECAUCIÓN: Asegúrese siempre de que la máquina haya sido apagada y el cartucho de batería extraído antes de realizar cualquier trabajo en la máquina.

Ensamblaje para soplar

Instalación o extracción de la boquilla

Accesorio opcional para el modelo BU02

Alinee las protuberancias en la boquilla con las ranuras en la unidad principal, luego inserte la boquilla en la unidad principal y luego gírela para bloquearla en su lugar.



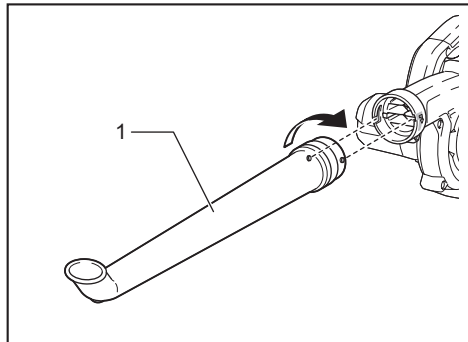
► 1. Boquilla

Para extraer la boquilla, realice el procedimiento de instalación en orden inverso.

Instalación o extracción de la boquilla para jardín

Accesorio opcional para el modelo BU01

Alinee las protuberancias en la boquilla para jardín con las ranuras en la unidad principal, luego inserte la boquilla para jardín en la unidad principal y luego gírela para bloquearla en su lugar.



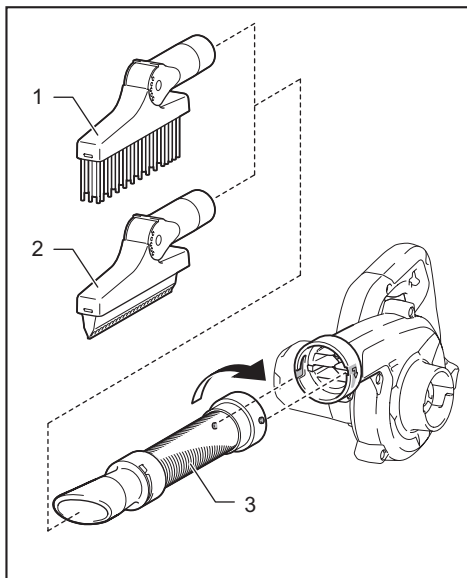
► 1. Boquilla para jardín

Para extraer la boquilla para jardín, realice el procedimiento de instalación en orden inverso.

Instalación o extracción de la boquilla con cepillo y boquilla con limpiador

Accesorio opcional para los modelos BU01/BU02

Coloque la boquilla con cepillo o la boquilla con limpiador en la manguera flexible, y luego instale la manguera flexible a la unidad principal.



► 1. Boquilla con cepillo 2. Boquilla con limpiador 3. Manguera flexible

Para extraer la boquilla con cepillo o la boquilla con limpiador, realice el procedimiento de instalación en orden inverso.

Instalación o extracción de la boquilla larga

Accesorio opcional para los modelos BU01 / BU02

Instale la boquilla larga de la misma forma que la boquilla. Para extraer la boquilla larga, realice el procedimiento de instalación en orden inverso.

Instalación o extracción de la boquilla ahusada

Accesorio opcional para los modelos BU01 / BU02

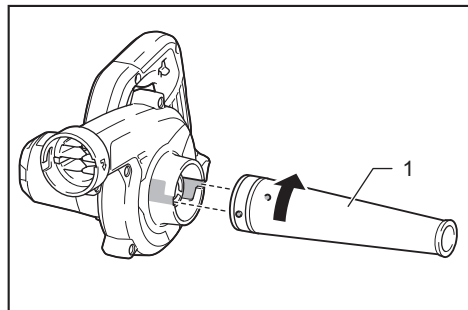
Coloque la boquilla ahusada a la boquilla y luego instale la boquilla a la unidad principal. Para extraer la boquilla ahusada, realice el procedimiento de instalación en orden inverso.

Ensamblaje para aspirado

Instalación o extracción de la boquilla

Accesorio opcional para el modelo BU02

Alinee las protuberancias en la boquilla con las ranuras en la unidad principal, luego inserte la boquilla en la unidad principal y luego gírela para bloquearla en su lugar.



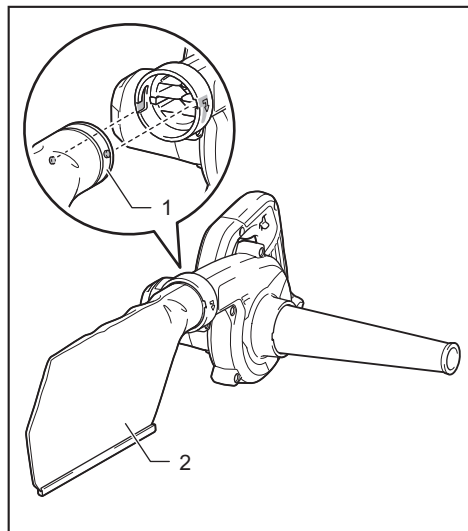
► 1. Boquilla

Para extraer la boquilla, realice el procedimiento de instalación en orden inverso.

Instalación o extracción de la bolsa recolectora de polvo

Accesorio opcional para los modelos BU01 / BU02

Alinee las protuberancias en la junta de la bolsa recolectora de polvo con las ranuras en la unidad principal, luego inserte la junta en la unidad principal y luego gírela para bloquearla en su lugar.



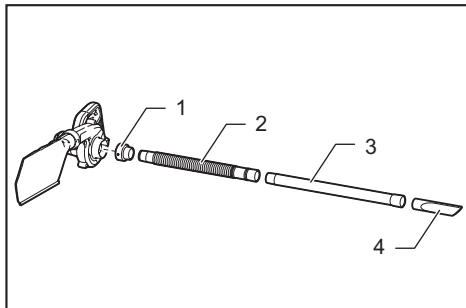
► 1. Junta 2. Bolsa recolectora de polvo

Para extraer la bolsa recolectora de polvo, realice el procedimiento de instalación en orden inverso.

Instalación o extracción del conjunto de manguera flexible

Accesorio opcional para los modelos BU01 / BU02

Coloque la junta, manguera flexible, el tubo y la boquilla para bastidores en la unidad principal, en ese orden.



► 1. Junta 2. Manguera flexible 3. Tubo 4. Boquilla para bastidores

Para extraer el conjunto de manguera flexible, realice el procedimiento de instalación en orden inverso.

DESCRIPCIÓN DEL FUNCIONAMIENTO

⚠PRECAUCIÓN: Asegúrese siempre de que la máquina esté apagada y que el cartucho de batería haya sido extraído antes de realizar cualquier ajuste o revisión del funcionamiento de la máquina.

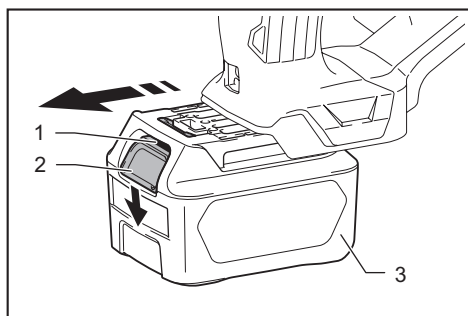
Instalación o extracción del cartucho de batería

⚠PRECAUCIÓN: Apague siempre la máquina antes de instalar o extraer el cartucho de batería.

⚠PRECAUCIÓN: Sujete la máquina y el cartucho de batería con firmeza al colocar o quitar el cartucho de batería. Si no se sujeta con firmeza la máquina y el cartucho de batería, puede ocasionar que se resbalen de sus manos resultando en daños a la máquina y al cartucho de batería, así como lesiones a la persona.

⚠PRECAUCIÓN: Siempre introduzca completamente el cartucho de batería hasta que el indicador rojo no pueda verse. Si no es así, éste podría caerse de la máquina ocasionándole una lesión a usted o a alguien más a su alrededor.

⚠PRECAUCIÓN: No instale el cartucho de batería a la fuerza. Si el cartucho no se desliza al interior fácilmente, se debe a que no está siendo insertado correctamente.



► 1. Indicador rojo 2. Botón 3. Cartucho de batería

Para quitar el cartucho de batería, deslícelo de la máquina mientras desliza el botón sobre la parte delantera del cartucho.

Para colocar el cartucho de batería, alinee la lengüeta sobre el cartucho de batería con la ranura en la carcasa y deslice en su lugar. Inserte por completo hasta que se fije en su lugar con un pequeño clic. Si puede ver el indicador rojo del lado superior del botón, esto indica que no ha quedado fijo por completo.

Sistema de protección de batería

Esta máquina está equipada con un sistema de protección de la batería. Este sistema corta en forma automática el suministro de energía al motor para prolongar la vida útil de la batería.

La máquina se detendrá automáticamente durante la operación si la máquina o la batería se someten a una de las siguientes condiciones:

Sobrecarga:

La máquina se está utilizando de una manera que causa que consuma una cantidad de corriente inusualmente alta.

En esta situación, apague la máquina y detenga la aplicación que haya causado que la máquina se sobrecargara. Luego encienda la máquina para volver a arrancarla.

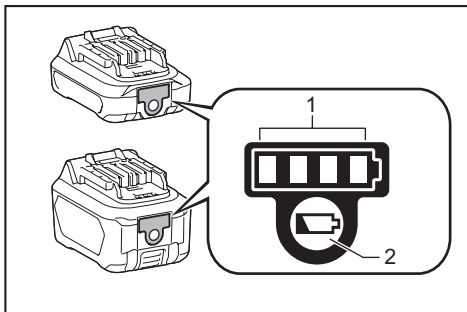
Si la máquina no arranca, significa que la batería se sobrecalentó. En este caso, espere a que la batería se enfríe antes de volver a encender la máquina.

Bajo voltaje de la batería:

La capacidad restante de la batería es demasiado baja y la máquina no funcionará. Si enciende la máquina, el motor volverá a funcionar pero se detendrá al poco tiempo. En este caso, retire la batería y vuelva a cargarla.

Indicación de la capacidad restante de la batería

Únicamente para cartuchos de batería con el indicador



► 1. Luces indicadoras 2. Botón de verificación

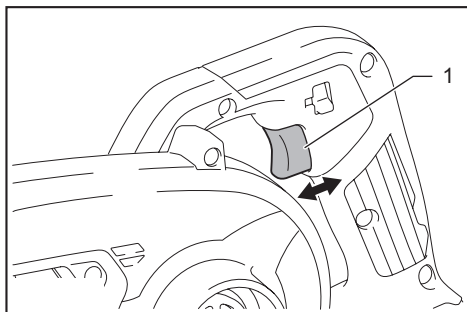
Oprima el botón de verificación en el cartucho de la batería para que indique la capacidad restante de la batería. Las luces indicadoras se iluminarán por algunos segundos.

Luces indicadoras		Capacidad restante
Iluminadas	Apagado	
■ ■ ■ ■	□	75% a 100%
■ ■ ■ □	□	50% a 75%
■ ■ □ □	□ □	25% a 50%
■ □ □ □	□ □ □ □	0% a 25%

NOTA: Dependiendo de las condiciones de uso y la temperatura ambiente, la indicación podrá diferir ligeramente de la capacidad real.

Accionamiento del interruptor

ADVERTENCIA: Antes de instalar el cartucho de batería en la máquina, verifique siempre que el gatillo interruptor se accione debidamente y que regrese a la posición de apagado al soltarlo.

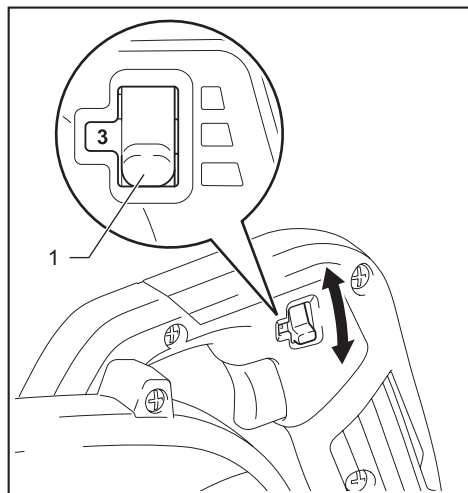


► 1. Gatillo interruptor

Para arrancar la máquina, jale el gatillo interruptor. La velocidad de la máquina aumenta al incrementar la presión en el gatillo interruptor. Para detener la máquina, suelte el gatillo interruptor.

AVISO: Si se ha utilizado la máquina de forma continua hasta que se descargue la batería, deje descansar la máquina durante al menos 15 minutos antes de utilizar la máquina con una batería fresca.

Dial de ajuste de velocidad



► 1. Dial de ajuste de velocidad

La velocidad puede cambiarse girando el dial de ajuste de velocidad hasta la configuración de un número dado de 1 a 3. Se logra una mayor velocidad cuando el dial se gira hacia el número 3. Se logra una menor velocidad cuando se gira hacia el número 1. Consulte la tabla para ver la relación entre las configuraciones de los números en el dial y la velocidad.

Número	Velocidad
3	Alta
2	Media
1	Baja

AVISO: Cuando gire el dial, asegúrese de soltar el gatillo interruptor por completo. De lo contrario, la máquina podría dañarse.

OPERACIÓN

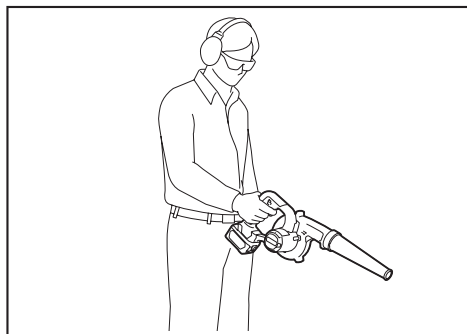
PRECAUCIÓN: No coloque la máquina en el suelo mientras esté encendida. Arena o polvo pueden entrar desde la entrada de succión y ocasionar una falla o una lesión personal.

Operación de soplado

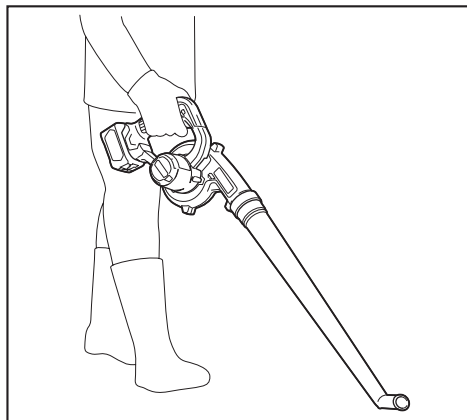
PRECAUCIÓN: Al realizar la operación de la sopladora, asegúrese de quitar la bolsa recolectora de polvo de la máquina, y conecte la boquilla en su sitio para la acción de soplado.

Sujete la máquina firmemente con una mano y realice la operación de soplado moviéndola lentamente. Al soplar alrededor de un edificio, piedras grandes o vehículos, dirija la boquilla lejos de ellos. Cuando realice una operación en una esquina, comience desde la esquina y luego muévase al área más amplia.

Para el modelo BU01



Para el modelo BU02



Operación de aspirado

⚠PRECAUCIÓN: Al realizar la operación de aspirado, asegúrese de colocar la bolsa recolectora de polvo y la boquilla en su sitio a la máquina.

⚠PRECAUCIÓN: Revise la bolsa recolectora de polvo con frecuencia para ver si presenta desgaste o deterioro.

⚠PRECAUCIÓN: Asegúrese de apretar el sujetador de la bolsa recolectora de polvo antes de operar la máquina.

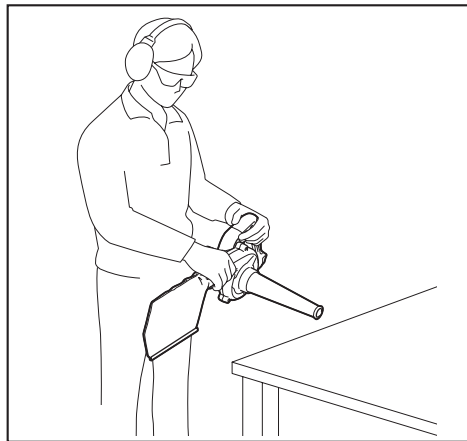
⚠PRECAUCIÓN: Apague siempre la máquina antes de abrir o apretar el sujetador de la bolsa recolectora de polvo.

AVISO: Al realizar la operación de aspirado, no utilice la boquilla para jardín. Los materiales succionados podrían quedar atascados y ocasionar una avería de la máquina.

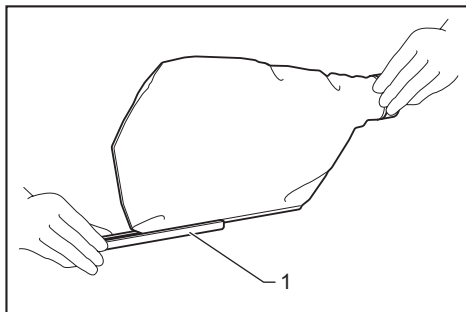
AVISO: No permita que la máquina succione materiales húmedos, como hojas mojadas y materiales extraños como astillas grandes de madera, metales, vidrio, guijarros, etc. De lo contrario, podría ocurrir un desperfecto.

AVISO: Vacíe la bolsa recolectora de polvo antes de que se llene. De lo contrario, podría ocurrir un desperfecto.

Sujete la máquina con ambas manos. Mientras opera la máquina, ajuste el gatillo interruptor para que la fuerza de succión sea apropiada para la ubicación y las condiciones de trabajo.



Vacíe la bolsa recolectora de polvo antes de que se llene de más, al retirar la bolsa recolectora de polvo de la máquina y luego retire el sujetador.



► 1. Sujetador

MANTENIMIENTO

⚠PRECAUCIÓN: Asegúrese siempre de que la máquina haya sido apagada y que el cartucho de batería haya sido extraído antes de intentar realizar una inspección o tarea de mantenimiento.

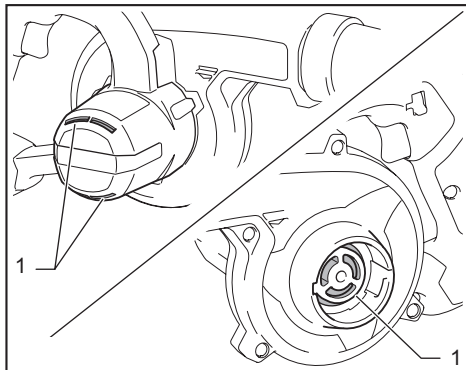
Para mantener la SEGURIDAD y FIABILIDAD del producto, las reparaciones, y cualquier otra tarea de mantenimiento o ajuste deberán ser realizadas en centros de servicio autorizados o de fábrica Makita, empleando siempre repuestos Makita.

Limpieza de la máquina

Quite el polvo de la máquina con un paño seco o humedezca un paño en agua y jabón y exprímalo para limpiarla.

AVISO: Nunca use gasolina, bencina, diluyente (tíner), alcohol o sustancias similares. Puede que esto ocasione grietas o decoloramiento.

Retire el polvo o la suciedad de las entradas de succión.



► 1. Entrada de succión

RESOLUCIÓN DE PROBLEMAS

Antes de solicitar alguna reparación, primero realice una inspección por su cuenta. Si detecta algún problema que no esté explicado en el manual, no intente desensamblar la máquina. En vez de esto, solicite la reparación a un centro de servicio autorizado de Makita, usando siempre piezas de repuesto Makita.

Estado de la anomalía	Causa probable (avería)	Remedio
El motor no funciona.	El cartucho de batería no está instalado.	Instale el cartucho de batería.
	Problema con la batería (bajo voltaje)	Recargue la batería. Si la recarga no es efectiva, reemplace la batería.
	El sistema de accionamiento no funciona correctamente.	Solicite la reparación en el centro de servicio autorizado de su localidad.
El motor deja de funcionar después de un rato de uso.	El nivel de carga de la batería es bajo.	Recargue la batería. Si la recarga no es efectiva, reemplace la batería.
	Sobrecalentamiento.	Deje de usar la máquina para permitir que se enfríe.
La máquina no alcanza la velocidad máxima.	La batería está mal instalada.	Instale el cartucho de batería como se describe en este manual.
	La potencia de la batería se está reduciendo.	Recargue la batería. Si la recarga no es efectiva, reemplace la batería.
	El sistema de accionamiento no funciona correctamente.	Solicite la reparación en el centro de servicio autorizado de su localidad.
Vibración anormal: ⇒ ¡Detenga la máquina inmediatamente!	El sistema de accionamiento no funciona correctamente.	Solicite la reparación en el centro de servicio autorizado de su localidad.
El motor no se puede detener: ⇒ ¡Extraiga la batería inmediatamente!	Avería eléctrica o electrónica.	Extraiga la batería y solicite la reparación en el centro de servicio autorizado de su localidad.

ACCESORIOS OPCIONALES

⚠PRECAUCIÓN: Estos accesorios o aditamentos están recomendados para utilizarse con su producto de Makita especificado en este manual. El uso de cualquier otro accesorio o aditamento puede ocasionar riesgo de lesiones personales. Use los accesorios o aditamentos sólo para los propósitos para los que fueron diseñados.

Si necesita cualquier ayuda para más detalles en relación con estos accesorios, pregunte a su centro de servicio local Makita.

- Boquilla
- Boquilla para jardín
- Bolsa recolectora de polvo
- Boquilla larga
- Boquilla ahusada
- Conjunto de manguera flexible
- Manguera flexible completa (para boquilla con cepillo o limpiador)
- Boquilla con cepillo
- Boquilla con limpiador
- Batería y cargador originales de Makita

NOTA: Algunos de los artículos en la lista puede que vengán junto con el paquete del producto como accesorios incluidos. Puede que estos accesorios varíen de país a país.

GARANTÍA LIMITADA DE MAKITA

Ésta Garantía no aplica para México

Consulte la hoja de la garantía anexa para ver los términos más vigentes de la garantía aplicable a este producto. En caso de no disponer de esta hoja de garantía anexa, consulte los detalles sobre la garantía descritos en el sitio web de su país respectivo indicado a continuación.

Estados Unidos de América: www.makitatools.com

Canadá: www.makita.ca

Otros países: www.makita.com

Makita Corporation
3-11-8, Sumiyoshi-cho,
Anjo, Aichi 446-8502 Japan
www.makita.com

885818-945 BU01-1 EN, ESMX 20200609
--