



# CAL LIGHTING

3625 E. Philadelphia St. Ontario CA. 91761. Tel: 909.947.5200. Fax: 909.947.5673. www.calighting.com. service@calighting.com.  
Specifications subject to change without notice

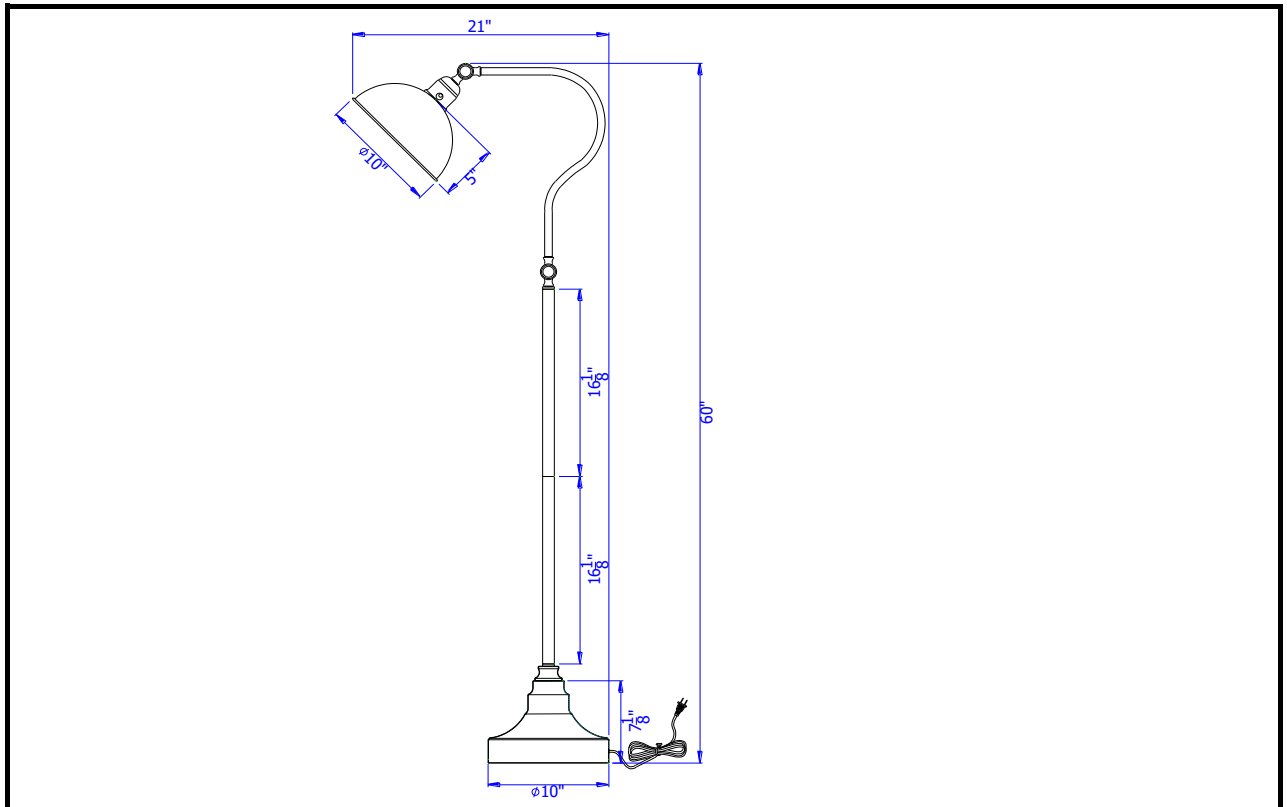
Type: \_\_\_\_\_

Project: \_\_\_\_\_

Catalog No.: \_\_\_\_\_

BO-3025FL-AB

Lamp/Wattage: \_\_\_\_\_



- Model No:** BO-3025FL-AB  
**Description:** Industrial adjustable metal downbridge floor lamp with half dome metal shade  
**Material:** Metal  
**Finish :** Antique Brass  
**Height:** 60"  
**Base Width:** Dia.10"  
**Wattage :** 60W  
**Socket :** Medium Base (E26)  
**Switch:** ON/OFF  
**Bulb:** Incandescent, CFL  
**Wire Length:** 6'  
**Wire Color:** Gold  
**Shade No:**  
**Material:** Metal  
**Shade size:** Dia.10 H 5"  
**Certificate :** 