

Slant/Fin

SENTRY[®]

VESTIBULE

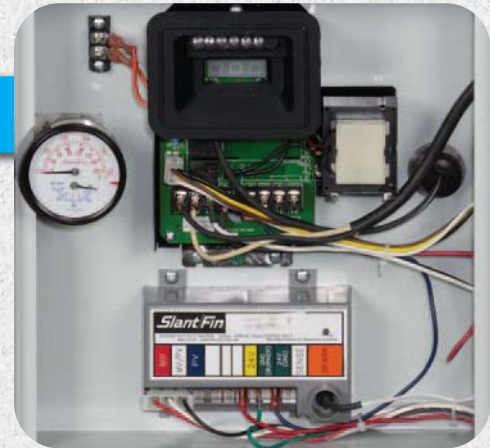


Look for our Hydronic Explorer app on iTunes and Google Play! (Works on iPad, iPhone & Android devices)

High performance, cast-iron gas boiler

RATINGS FOR SENTRY BOILERS – NATURAL AND L.P. GAS

MODEL NUMBER †	CSA INPUT (Btuh)	DOE CAPACITY (Btuh)	NET AHRI RATING WATER (Btuh)*	WATER (Sq. Ft.)	EFFICIENCY AFUE%	DIMENSIONS-Inches		
						INTERMITTENT IGNITION	"A"	"B"
§ S-34	34,000	29,000	25,000	167	84.0	8-1/8	14-5/8	4
* S-60	60,000	51,000	44,000	293	84.4	11-1/8	17-5/8	4
* S-90	90,000	76,000	66,000	440	84.2	14-1/8	20-5/8	5
* S-120	120,000	101,000	88,000	587	84.1	17-1/8	23-5/8	6
* S-150	150,000	126,000	110,000	733	84.0	20-1/8	26-5/8	7

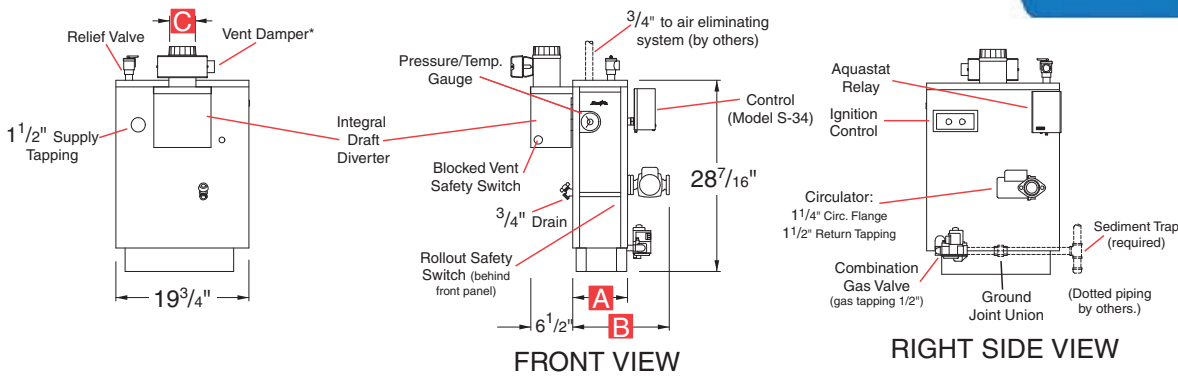


- Computer-aided design
- Highest quality manufacturing
- Superior components

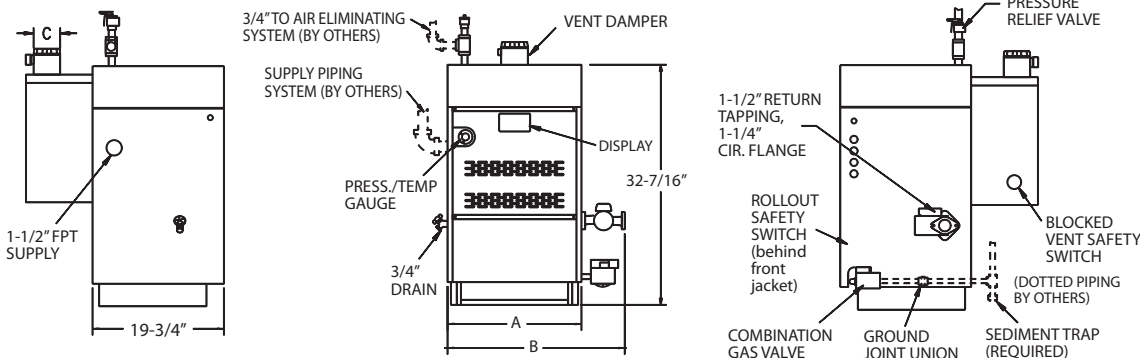
* Net ratings are based on a piping and pick-up allowance of 1.15. Slant/Fin should be consulted before selecting a boiler for installation having unusual piping and pick-up requirements. Ratings must be reduced by 4% at 2,000 feet elevation and an additional 4% for every additional 1,000 feet elevation over 2,000 feet.
 † Type of gas: after model number, specify gas by name "Natural" or "Propane".
 Note: All Sentry boilers are tested and rated for capacity under the U.S. Dept. of Energy (D.O.E.) Test Procedure for boilers.
 § Note: S-34 has external side mounted control.
 • Note: US Department of Energy 2021 Compliant.



MODEL S-34



MODELS S-60 to S-150



U.S.A.
 Slant/Fin Corporation • 100 Forest Drive
 Greenvale, NY 11548 • 516-484-2600
 www.slantfin.com

Canada
 Slant/Fin LTD/LTEE • 400 Ambassador Drive,
 Mississauga, Ontario L5T 2 J3 • 905-677-8400
 www.slantfin.ca