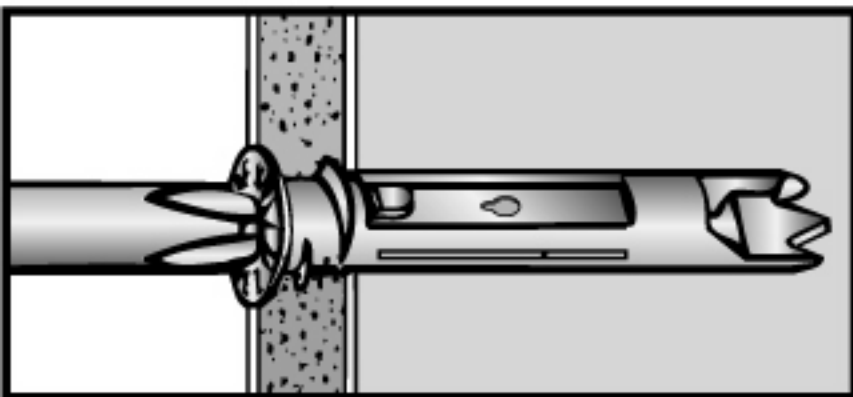


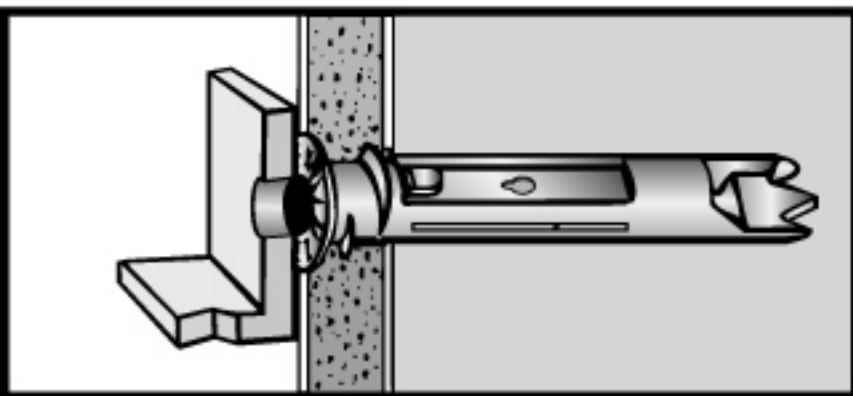
# E-Z Toggle Installation



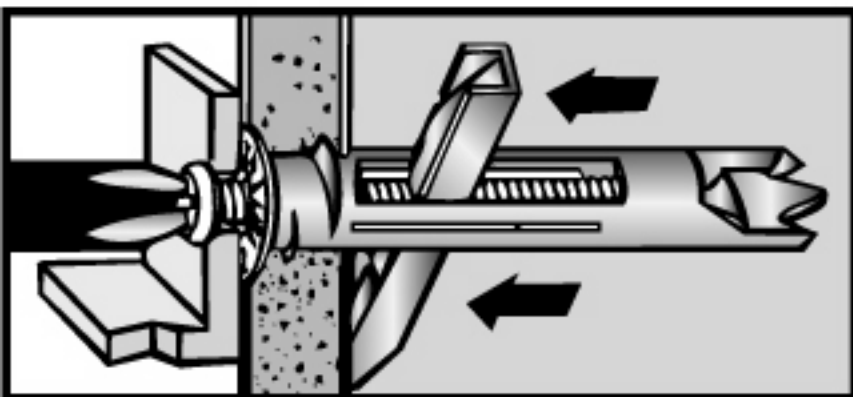
*Arrows on head indicate direction toggle will open*



**1.** Using #2 Phillips screwdriver, fasten E-Z Toggle into drywall until flush.



**2.** Place fixture (max. 1/2" thick) over E-Z Toggle.



**3.** Push screw firmly through E-Z Toggle to engage clamp before turning screw. Turn screw. Toggle tightens against back of drywall.