



Handheld Steamer

LX15002
Instruction Manual

You have purchased an Electrolux steamer and we thank you. We take great care in design, ergonomics and ease of use of our products. We hope that this product will give you complete satisfaction.

LX15002 General Instructions

PLEASE READ CAREFULLY THROUGH ALL THE INSTRUCTIONS BEFORE FIRST USE.

When using your appliance, basic precautions should always be followed. Use appliance for its intended use only. Misuse can damage appliance or injure user.

1. Make sure the power used corresponds with the one indicated on the rating label.
2. Burns can occur from touching hot metal parts, hot water or steam.
3. The hand held steamer should never be left unattended while it is connected to the supply mains, and until it has cooled about 1 hour.
4. Do not pull on the cord to unplug the appliance.
5. The filling aperture must not be opened during use.
6. Never operate the hand held steamer with damaged power cord or plug, or after it has fallen or been damaged in any way. To avoid the risk of electric shock, do not disassemble the hand held steamer, take it to a qualified serviceman for examination and repair.
7. If the supply cord is damaged, it must be replaced by the manufacturer, its service agent or similarly qualified persons in order to avoid a hazard(*).
8. Do not let cord touch hot surfaces.

9. To protect against a risk of electric hazards, do not immerse the hand held steamer in water or any other liquid.
10. The hand held steamer must be used and rested on a stable surface.
11. The hand held steamer is not to be used if it has been dropped, if there are visible signs of damage or if it is leaking.
12. Keep the hand held steamer and its cord out of reach of children less than 8 years of age when it is energized or cooling down.
13. Do not touch the hot metal part, hot water, or steam to avoid scalding.
14. Only qualified and authorized persons are authorized to carry out repairs to your appliance. Any repairs not in accordance with standards could significantly increase the level of risk for the user!
15. Defects resulting from improper handling, degradation or attempted repairs by third parties voids the warranty on the product. This also applies in case of normal wear and accessories from the appliance.
16. Intended for household use only.
17. Care should be taken when using the appliance due to the emission of steam.
18. Unplug the appliance during filling and cleaning.

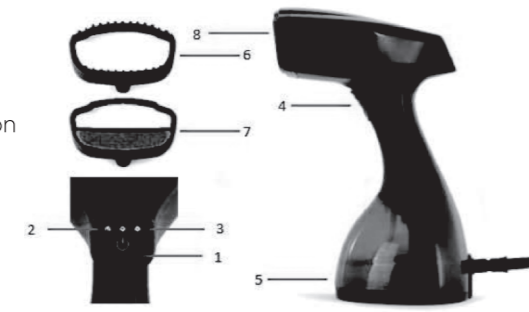
(*): Competent qualified electrician: after sales department of the producer or importer or any person who is qualified, approved and competent to perform this kind of repairs in order to avoid all danger. In any case you should return the appliance to this electrician.

Technical Specification

Voltage: 120V ~ 60Hz
Power: 1500W

Description

1. LED panel
2. Heating power light
3. Steam buttons button
4. Steam push button
5. Water tank
6. Fabric Brush
7. Lint brush
8. Nozzle



Before use:
Clean with a soft damp cloth.
During first uses a small smoke emission may occur, that's normal.

Use

1. Filling water:
 - Ensure appliance is unplugged, remove the water tank by pushing tank release button
 - Remove water inlet stopper to fill it with 300ml of water

Note: Your appliance was designed to operate using pure demineralized water.

- Close the water inlet stopper
- Return the water tank to its place

Tips: Check the fabric's label for recommendations.

- We recommended that you test acrylic, nylon or other synthetic fabrics in an inconspicuous area to ensure these fabrics are not damaged by hot steam
 - As steam is very hot: never attempt to remove creases from a garment while it is being worn, always hang garments on a clothes hanger.
2. Hang your garment on a clothes hanger.
 3. Plug-in the appliance, push the power on, the power light is flashing. The appliance heat up. After 30s, the power light will be lighting.

4. You can use the brush accessory to open better the weaves of the fabrics for better steam effect. And you can use the lint brush too.

Note: before removing or attaching the steam brush, unplug your appliance and allow it to cool down.

5. Push the power again to choose the steam level, then slide the steam button facing away from you, holding it in a vertical position. For optimal use, pass the steam jets over your garment from top to bottom.
6. After use, unplug the appliance.
7. Remove the water tank, empty the water tank completely, then return the water tank to its place on the appliance.

Note: If there is no water, it will automatically stop after 45'S, and the power lighting will be quick flashing. Static protect after 8 mins stop heating will be quick flashing.

During use or while the unit is heating or cooling, place the product on a flat stable and heat-resistant place.

Care and Cleaning

1. Disconnect the hand steamer from the wall outlet and let it cool down completely.
2. Deposits and other residues on the sole plate can be removed with a cloth soaked in a vinegar/water solution.

To descale:

Fill the tank with 50% water 50% vinegar and use your appliance as described above until tank will be empty.

3. The casing may be wiped with a damp cloth and then polished with a dry one.
4. Never use any abrasives to clean the sole plate.
5. Keep the sole plate smooth; avoid contact with metal objects.



Swift
30-Second
Heat up Time



18-Minute
Continuous
Steaming



Automatic
Safety
Shutoff



Easy-Fill
Removable
Water Tank



Heavy-Duty
Ceramic
Sole Plate



Extended
Reach 12-Foot
Power Cord



844-387-3525
12 Hinsdale Street
Brooklyn NY 11207

Questions or comments?
Contact Smartek USA at 1-877-678-6252

Electrolux is a registered trademark of AB Electrolux (publ).