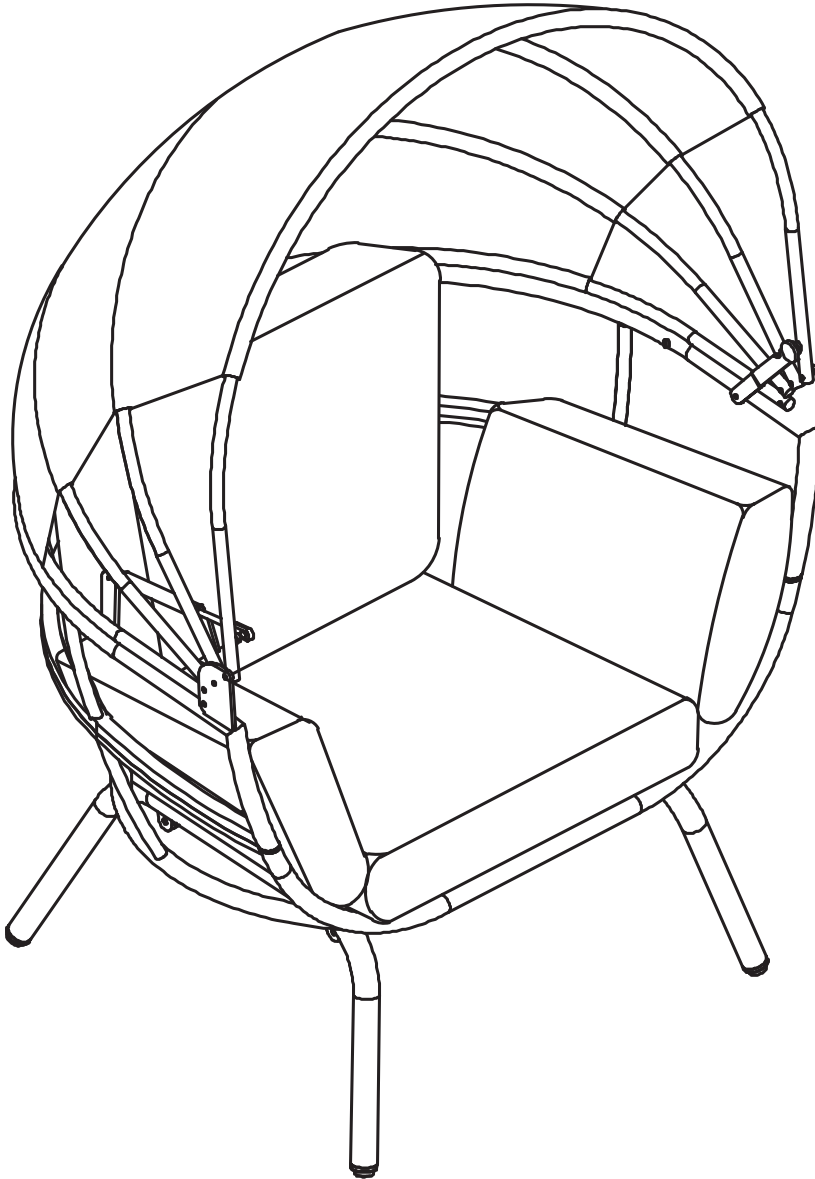






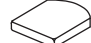
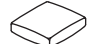









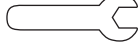





MODERN LUXURY PATIO LOUNGE CHAIR WITH RETRACTABLE SHADE

Read all assembly and care instructions carefully before using this product. Save this manual for future reference.
Assemble components on a soft, clean surface to avoid scratching or damaging the finish.



Inspect packaging to ensure all parts are accounted for before disposing of packing materials.

| No. | PARTS | | QTY. |
|-----|---|-------------------|------|
| A |  | Canopy Frame | 1 |
| B1 |  | Seat Frame | 1 |
| C2 |  | Left Leg | 1 |
| C3 |  | Right Leg | 1 |
| D2 |  | Front Support Bar | 1 |
| D3 |  | Rear Support Bar | 1 |
| E |  | Seat Cushion | 1 |
| E1 |  | Back Cushion | 1 |
| E2 |  | Arm Cushion | 2 |
| F |  | Nut Cap | 4 |
| G |  | Spacer | 4 |
| H |  | Bolt Cap | 4 |
| I |  | M6 Washer | 8 |
| J |  | M6x20mm Bolt | 4 |
| K |  | M6x30mm Bolt | 4 |
| K1 |  | M6x45mm Bolt | 4 |
| M |  | M6 Hex Key | 1 |
| N |  | Spanner | 1 |
| O |  | M8x25mm Bolt | 4 |
| P |  | M8 Washer | 4 |
| Q |  | M8 Hex Key | 1 |

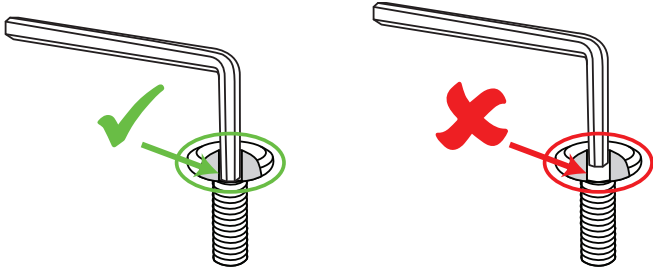
⚠ WARNING ⚠

CHOKING HAZARD — This item contains small parts that can be swallowed. Keep children and pets away during assembly.

ASSEMBLY

Review all steps and understand assembly before beginning.

Do not fully tighten hardware until all components have been loosely assembled.



TIP: Always fully insert the hex key inside the designated notch of the bolt.

If the hex key is not fully inside the notch, the hex key could slip out, causing damage to the bolt head. Repeated hex key slipping will cause the notch to become rounded, making it difficult or impossible to tighten the bolt with the hex key.

ATTENTION! Do not fully tighten any hardware until all components are loosely assembled. If each bolt is fully tightened too soon, mounting holes may not align and parts may not easily fit together.

Turn each bolt, by hand, until the screw grips into the mounting hole. Continue this process until all bolts have been installed. Then, tighten all hardware.

Do not use any electronic tools to assemble this product. The high energy of electronic tools can cause hardware to over-tighten, stripping the bolt, bolt head, or mounting holes.

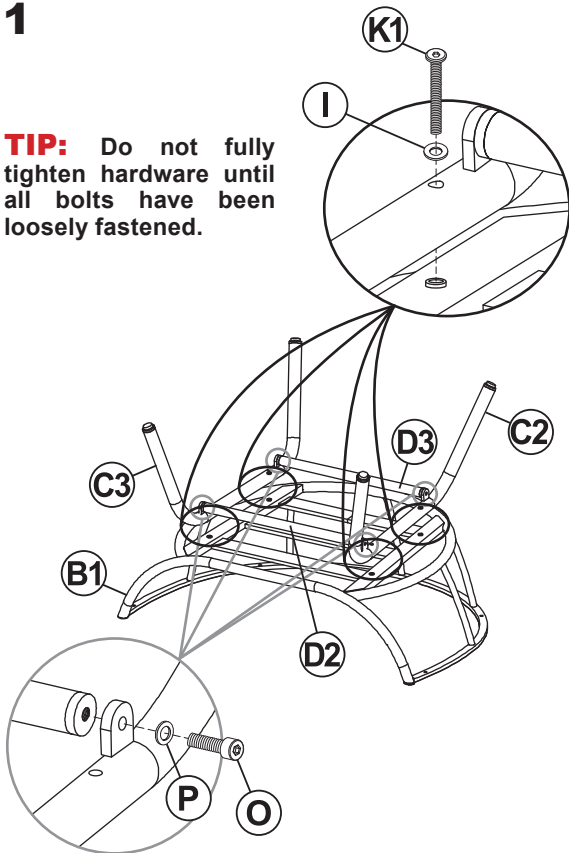
Only tighten the hardware entirely after the product is completely set up.

Do not over-tighten screws or bolts.

STEP 1

- B1: 1
- C2: 1
- C3: 1
- D2: 1
- D3: 1
- I: 4
- K1: 4
- O: 4
- P: 4

TIP: Do not fully tighten hardware until all bolts have been loosely fastened.

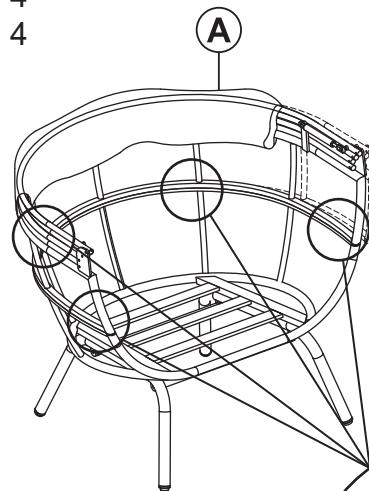


STEP 2



Assistance may be required for this step.

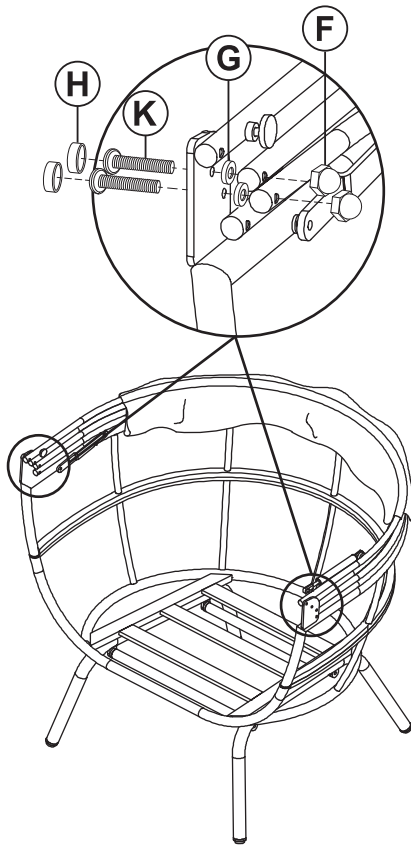
- A: 1
- I: 4
- J: 4



Bolts install through the underside of the seat frame.

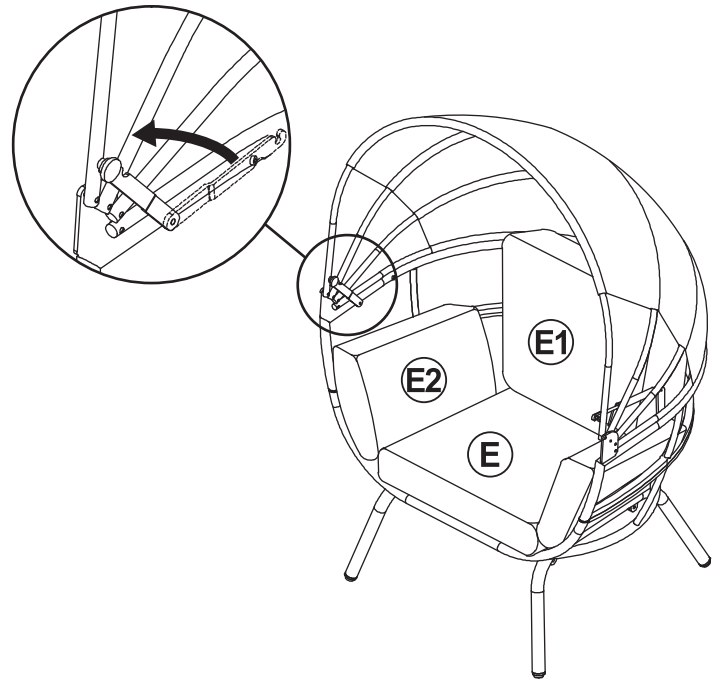
STEP 3

F: 4
G: 4
H: 4
K: 4



STEP 4

E: 1
E1: 1
E2: 2



Care & Maintenance

SAFE USE: Follow all safety statements and warnings. For residential use only. Only use on a flat, level surface. Do not stand on the chair. Do not exceed the weight capacity of the chair. Always lower the canopy when the chair is not in use.

INSPECT: Before use, ensure the unit is assembled correctly and all hardware is securely tightened. Do not use this product if parts are missing, broken, damaged, or worn out.

PROTECT: Always remove the cushions when the chair is not in use. When not in use, cover the chair with a breathable cover to help protect it from the effects of sunlight, inclement weather, dirt, dust, and collecting debris. Avoid exposure to precipitation and high-moisture areas.

SUN EXPOSURE: All fabrics will eventually fade from sun exposure. Maintain fabric color and integrity by storing the cushions indoors when not in use and covering the chair.

CLEAN: Use a soft cloth and clean, warm water to spot-clean the cushions and canopy. Do not use chemicals or abrasive materials to clean any part of the unit.

WINTER CARE & STORAGE: Protect the chair from inclement weather by moving furniture to an indoor location. Covering while in storage helps prevent dust build-up. Store in a cool, dry location.

SAFETY STATEMENTS & WARNINGS

- Do not exceed the weight capacity.
- This product is intended to be used by one person at a time.
- Ensure the canopy shade is securely locked before use.
- Do not use this product during inclement weather such as, but not limited to, strong wind, thunderstorms, rain, hail or snow.
- Never set up the canopy shade during windy conditions.
- Always close the canopy shade when the chair is not in use.
- Never stand on the chair.
- Install all parts in accordance with the assembly instructions and inspect the chair for stability before use.
- Inspect hardware often and tighten loose hardware before use.
- Do not put hot items on or near furniture.
- Keep furniture a safe distance from heat sources such as, but not limited to, fire pits, patio heaters, torches, and grills.
- Never allow water to collect or pool on the canopy fabric.
- Do not allow children to use this product without adult supervision.
- Do not use harsh chemicals or abrasive materials to clean the furniture.

Any modification to the product or failure to follow recommended care will void the product warranty.

If you experience issues with assembly or the product was damaged during shipping, please contact our customer service team through one of the methods mentioned at the top of page 1. To expedite response time, please have the item number and order information ready.

WARNING:

Manufacturer and seller expressly disclaim any and all liability from personal injury, property damage or loss, whether direct or indirect, or incidental, resulting from the incorrect attachment, improper use, inadequate maintenance, or neglect of this product.