



TABLE OF CONTENTS

Options

| | |
|-----------------------|---|
| Grid Options | 2 |
| Grille Patterns | 3 |
| Trim Options | 4 |
| Mullion Options | 5 |

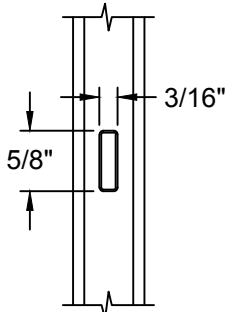
Section Details

| | |
|--|----|
| Operator: | |
| Vertical Section | 6 |
| Horizontal Section | 7 |
| Dual Operator With T-Mull - Horizontal Section | 8 |
| Flush Fin: | |
| Vertical Section | 9 |
| Horizontal Section | 10 |

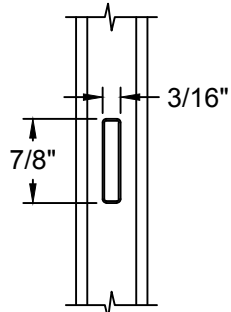


GRID OPTIONS

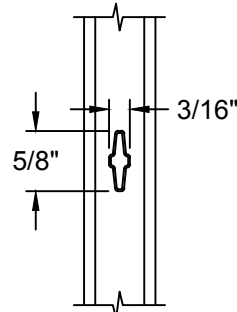
← Exterior / Interior →



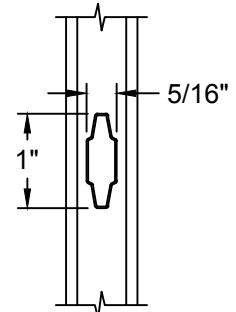
5/8" Flat GBG



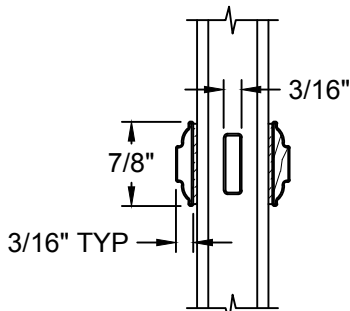
7/8" Flat GBG



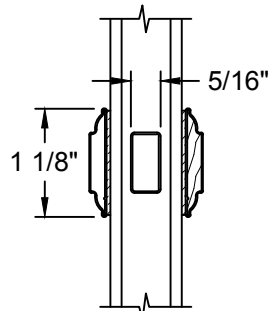
5/8" Contour GBG



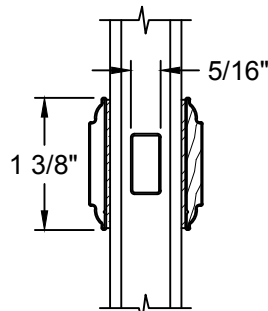
1" Contour GBG



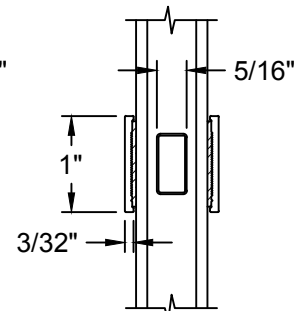
7/8" Contour SDL



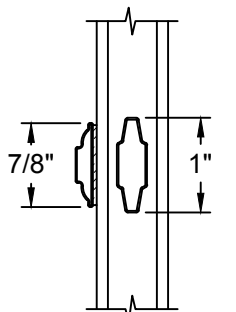
1 1/8" Contour SDL



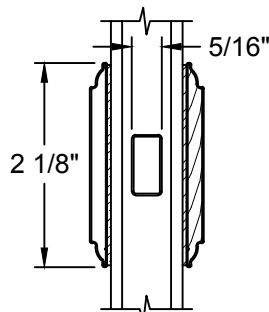
1 3/8" Contour SDL



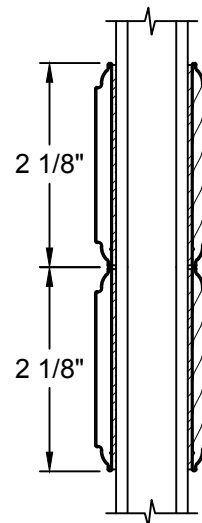
1" Flat SDL



7/8" Contour SDL
1" Contour GBG



2 1/8" Variable SDL
Non-Intersecting Only

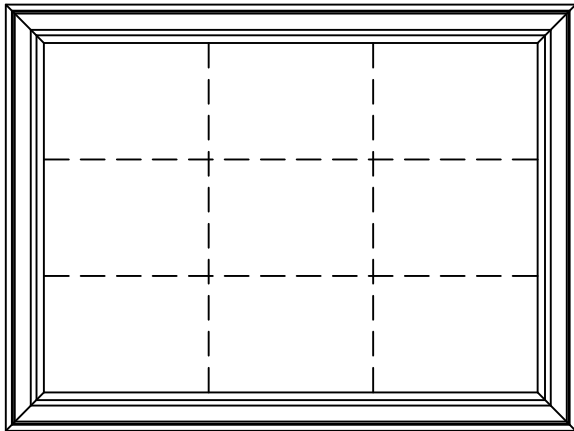


Dual 2 1/8" Variable SDL
Non-Intersecting Only

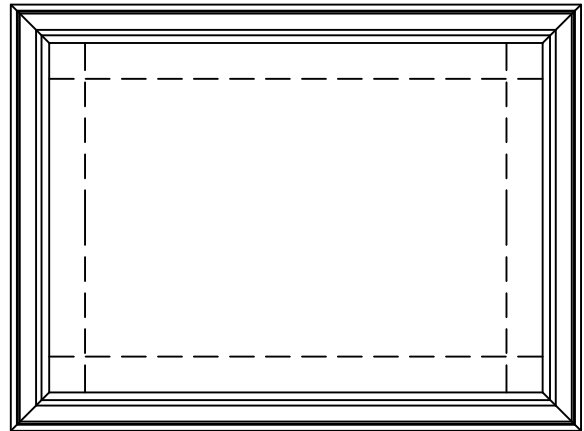
Note: SDL tape thickness is .04"



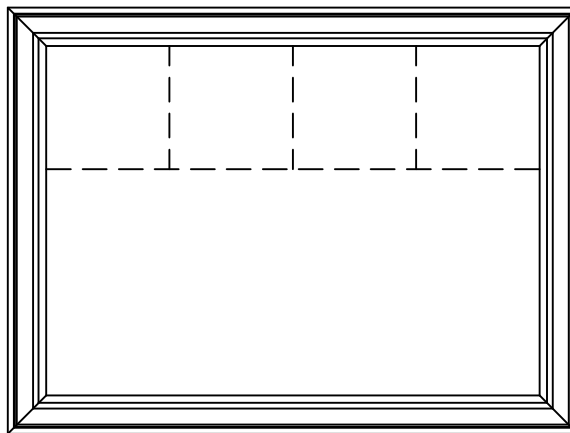
GRILLE PATTERNS



Colonial



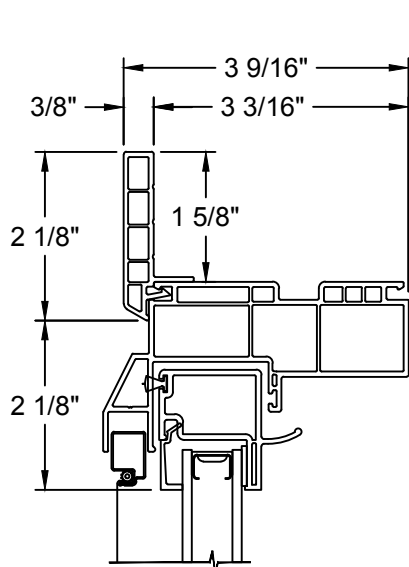
Prairie Glass



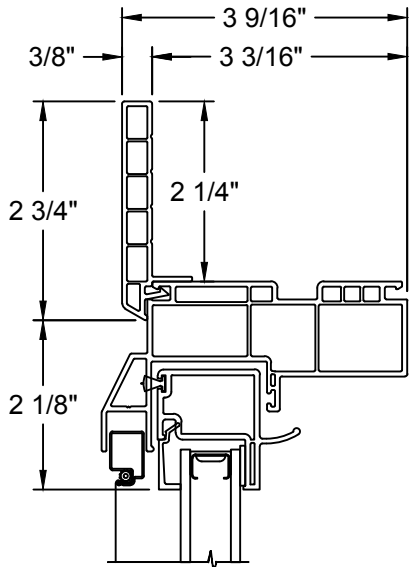
Colonial Top Down



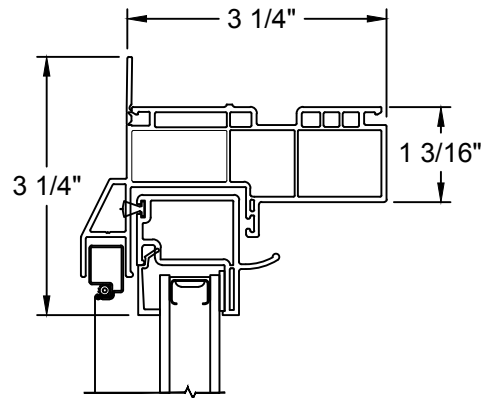
TRIM OPTIONS



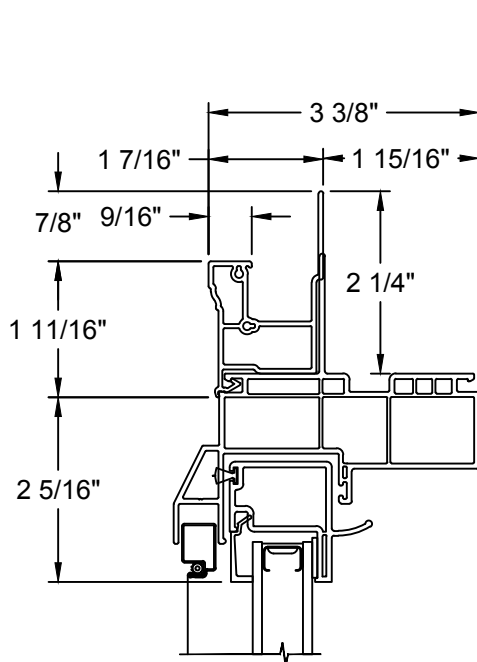
1 5/8" Flush Fin



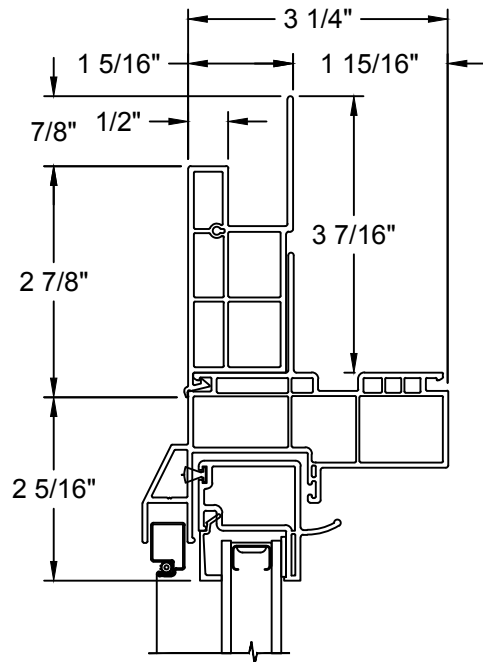
2 1/4" Flush Fin



Florida Flange



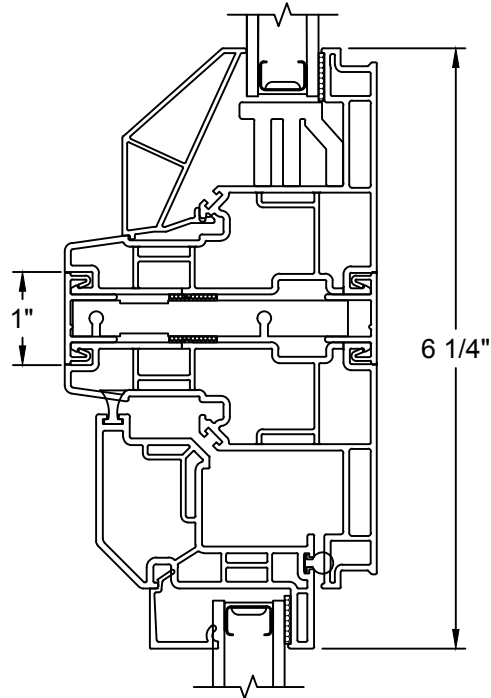
Brickmould



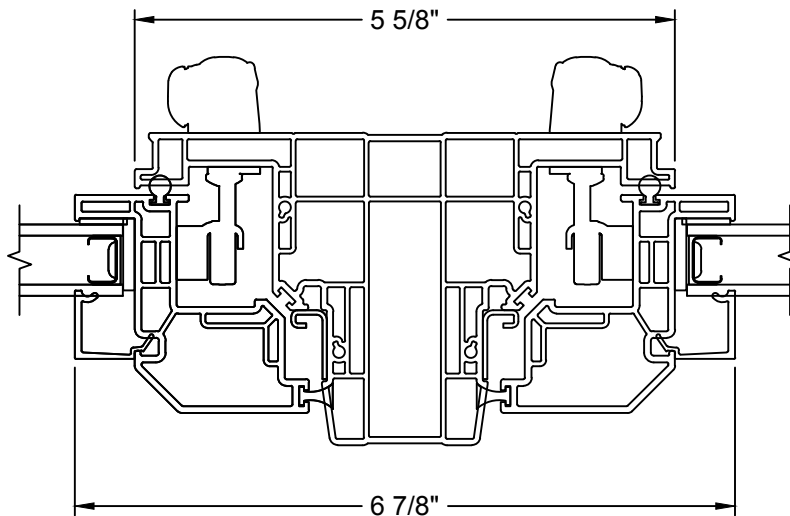
Flat Casing



MULLION OPTIONS



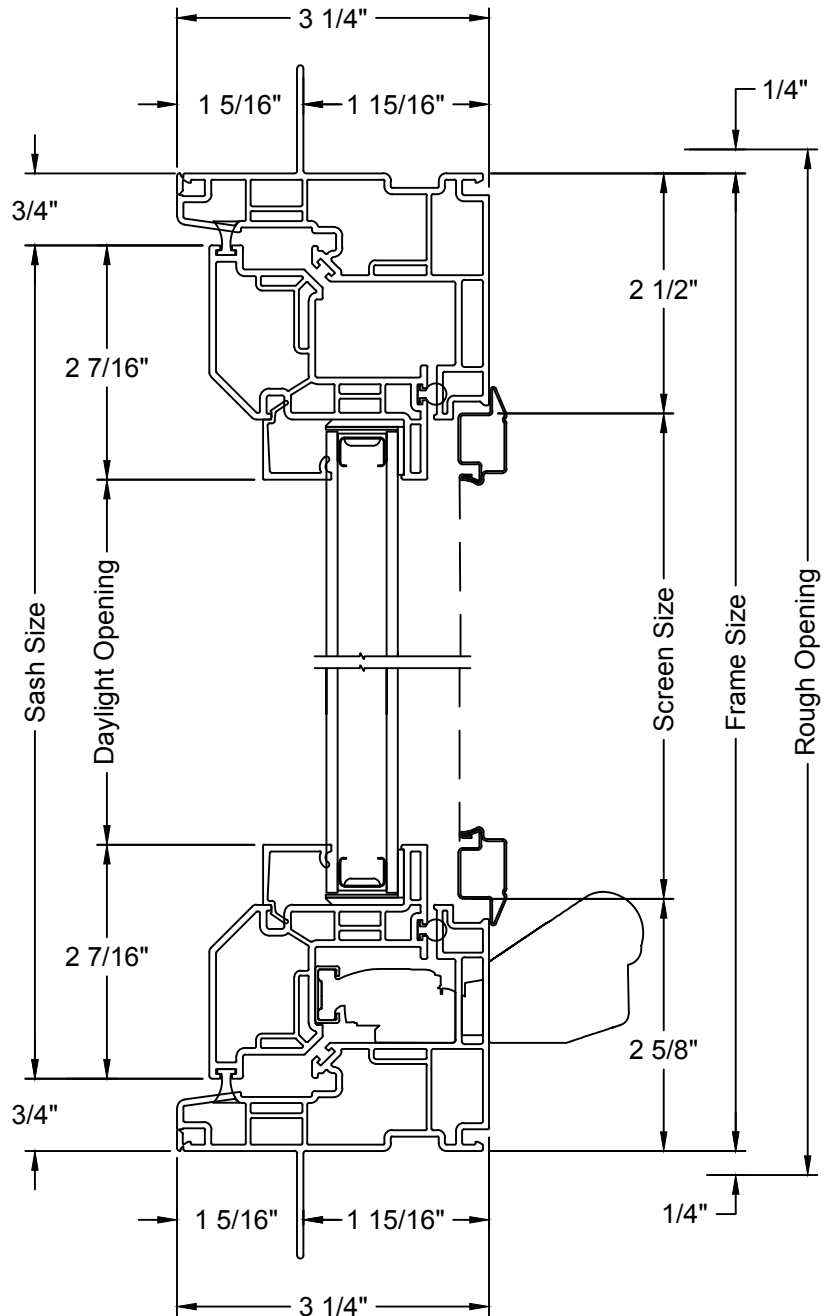
Awning / Direct Set Transom
Horizontal Mullion



Awning / Awning
Vertical Mullion

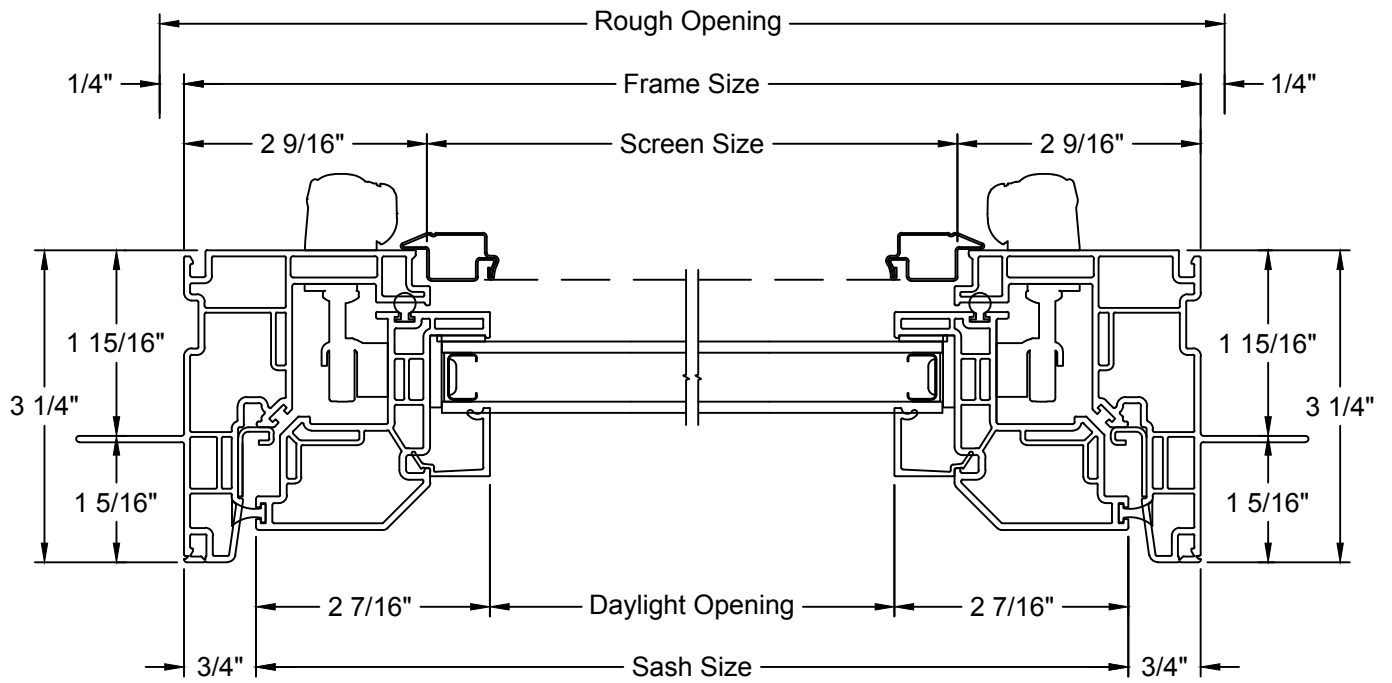


OPERATOR - VERTICAL SECTION



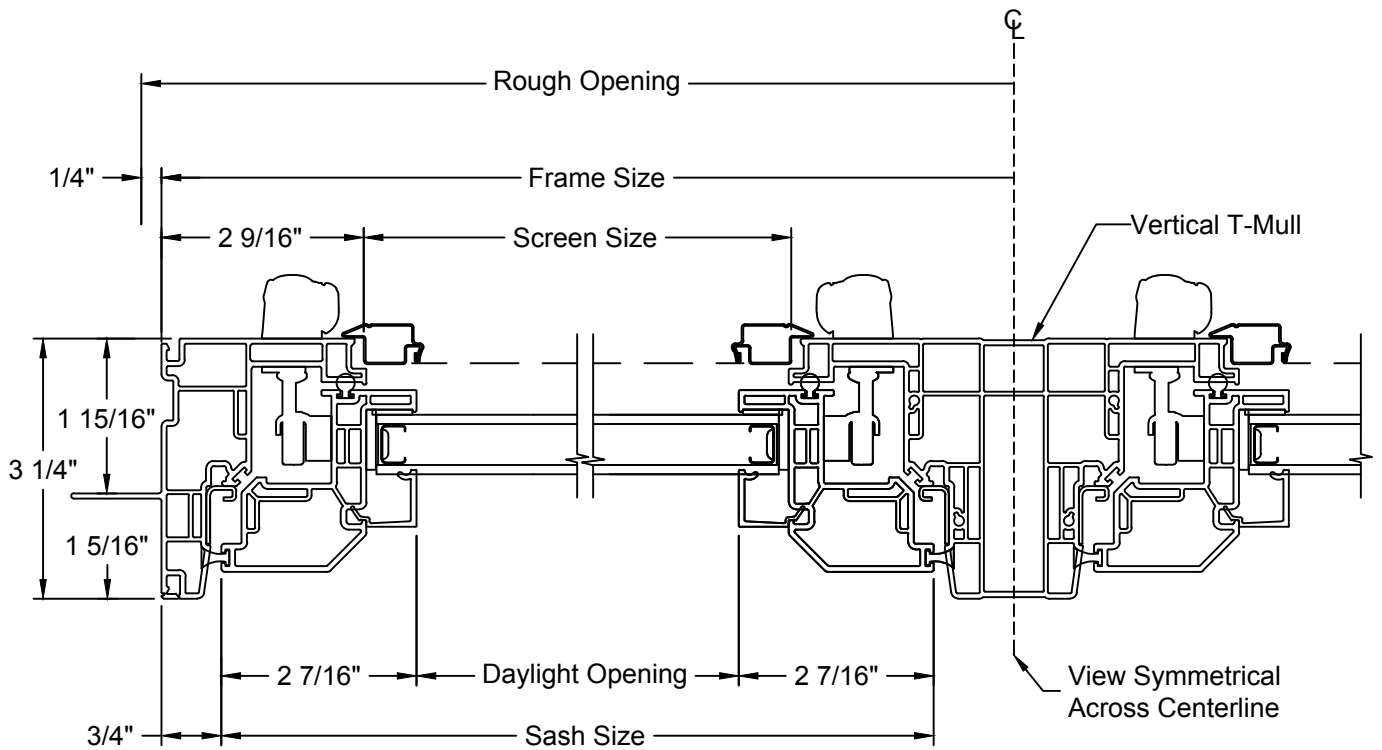
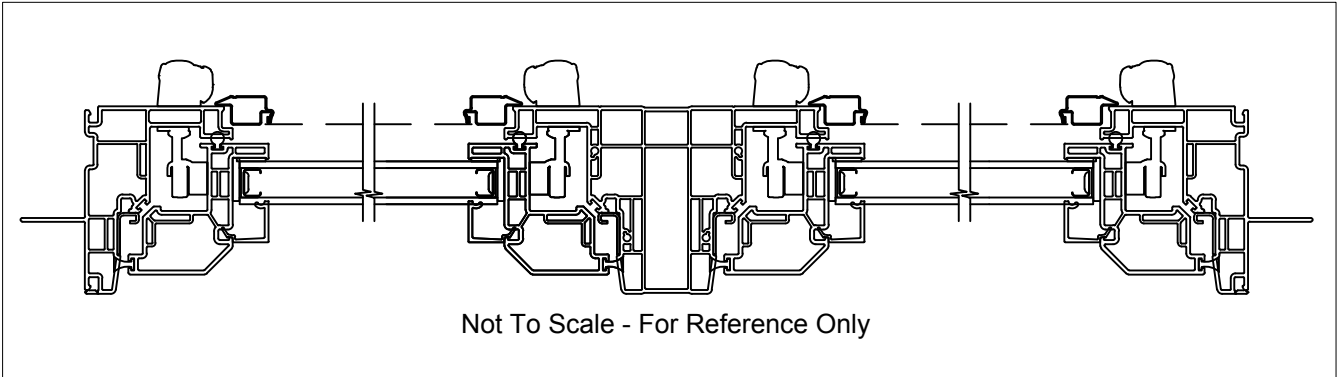


OPERATOR - HORIZONTAL SECTION



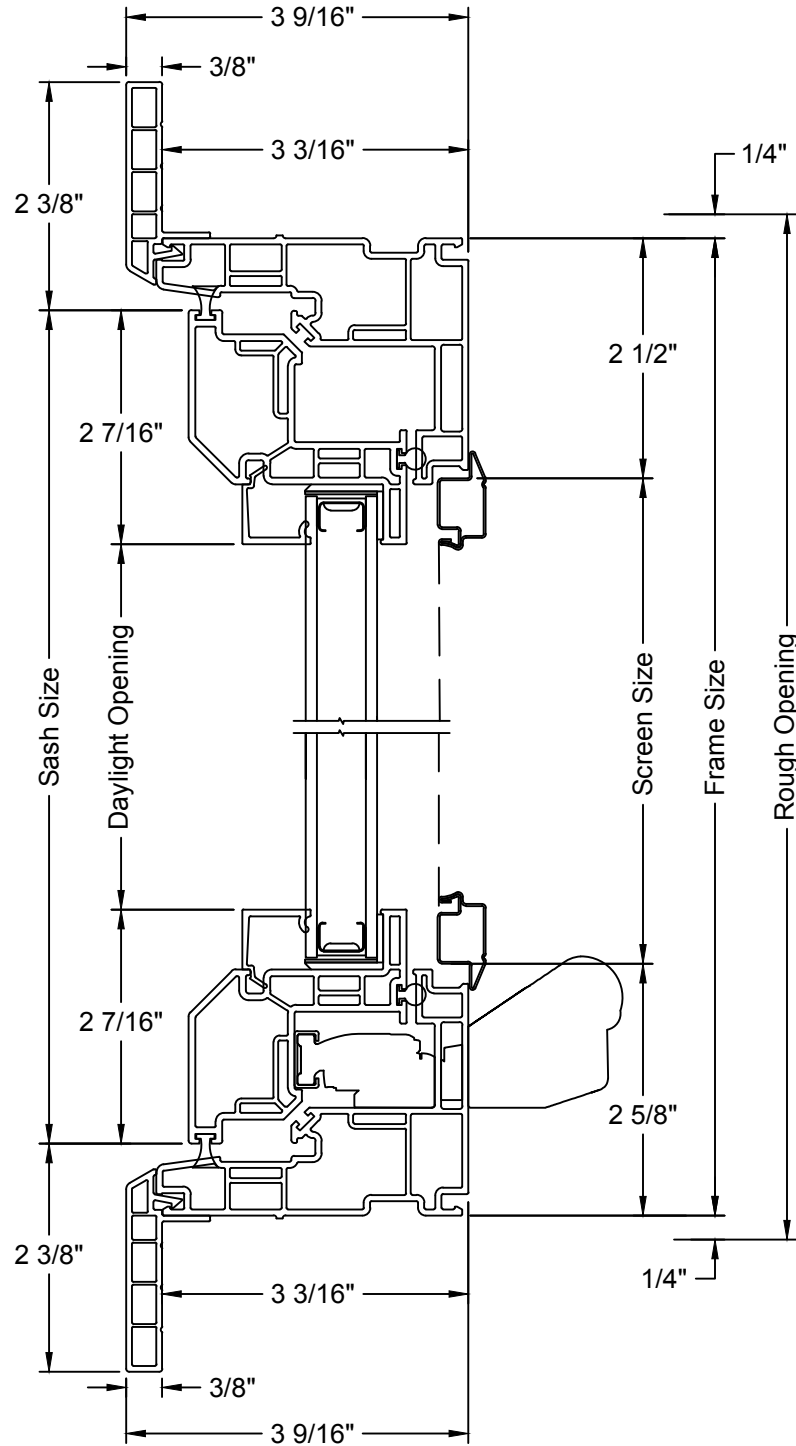


DUAL OPERATOR WITH T-MULL - HORIZONTAL SECTION





FLUSH FIN - VERTICAL SECTION





FLUSH FIN - HORIZONTAL SECTION

