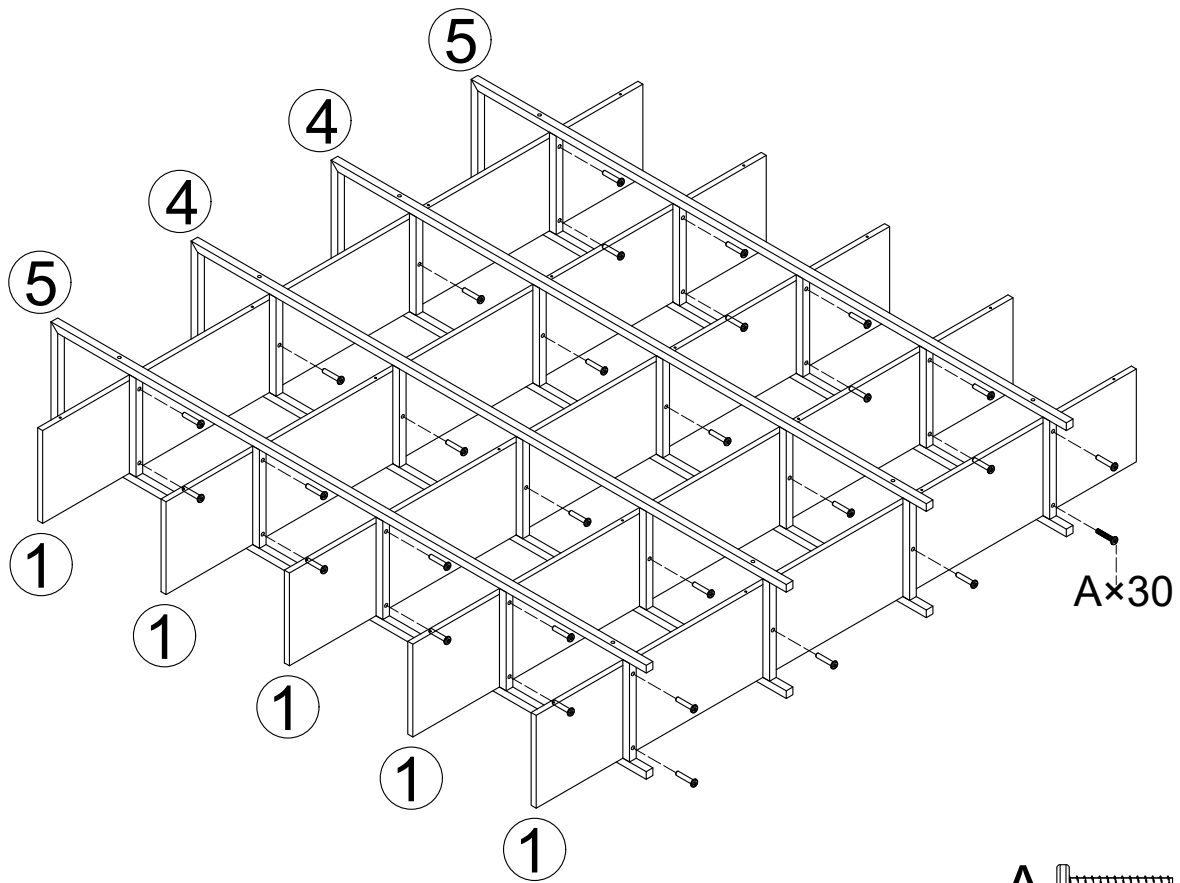
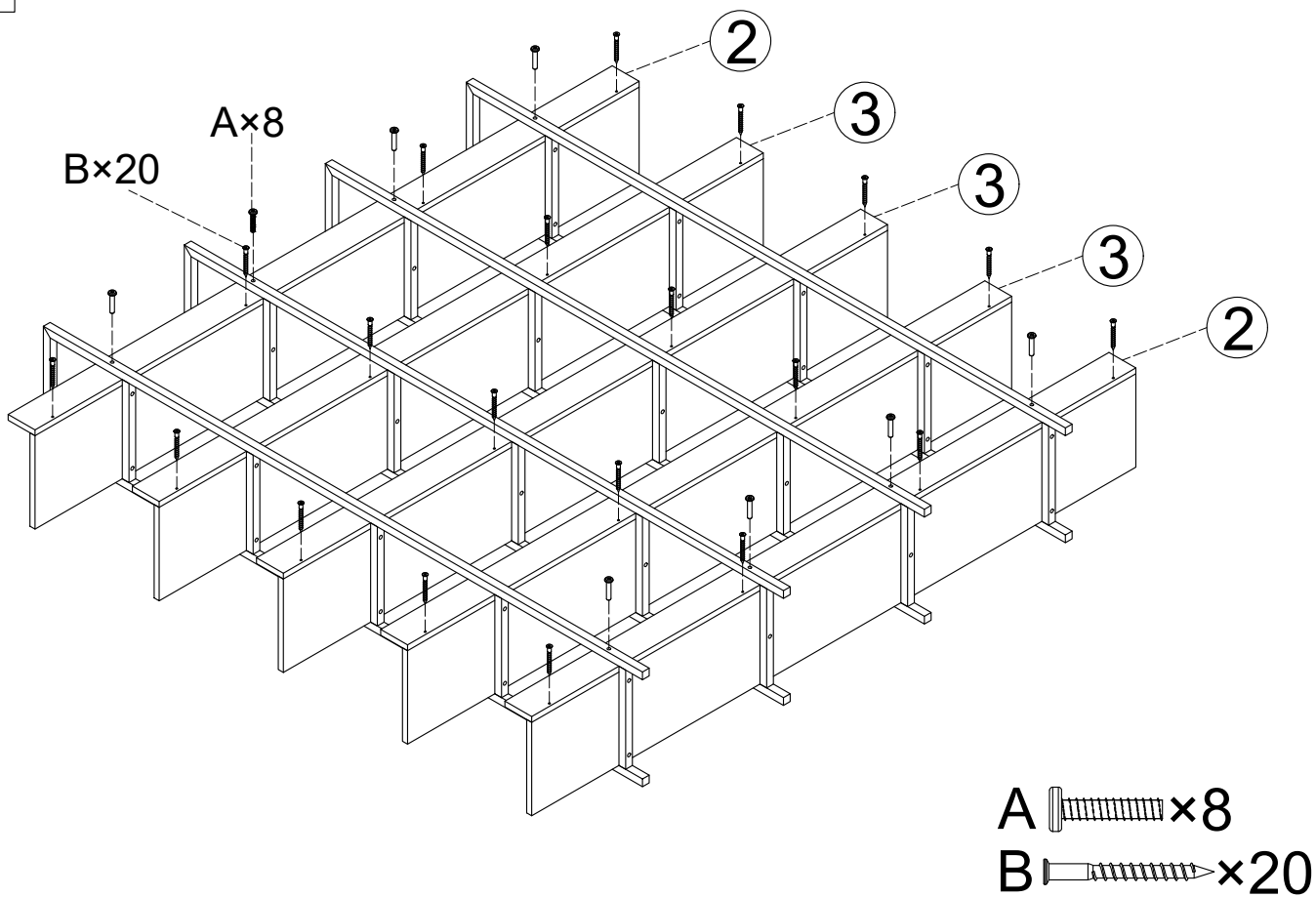


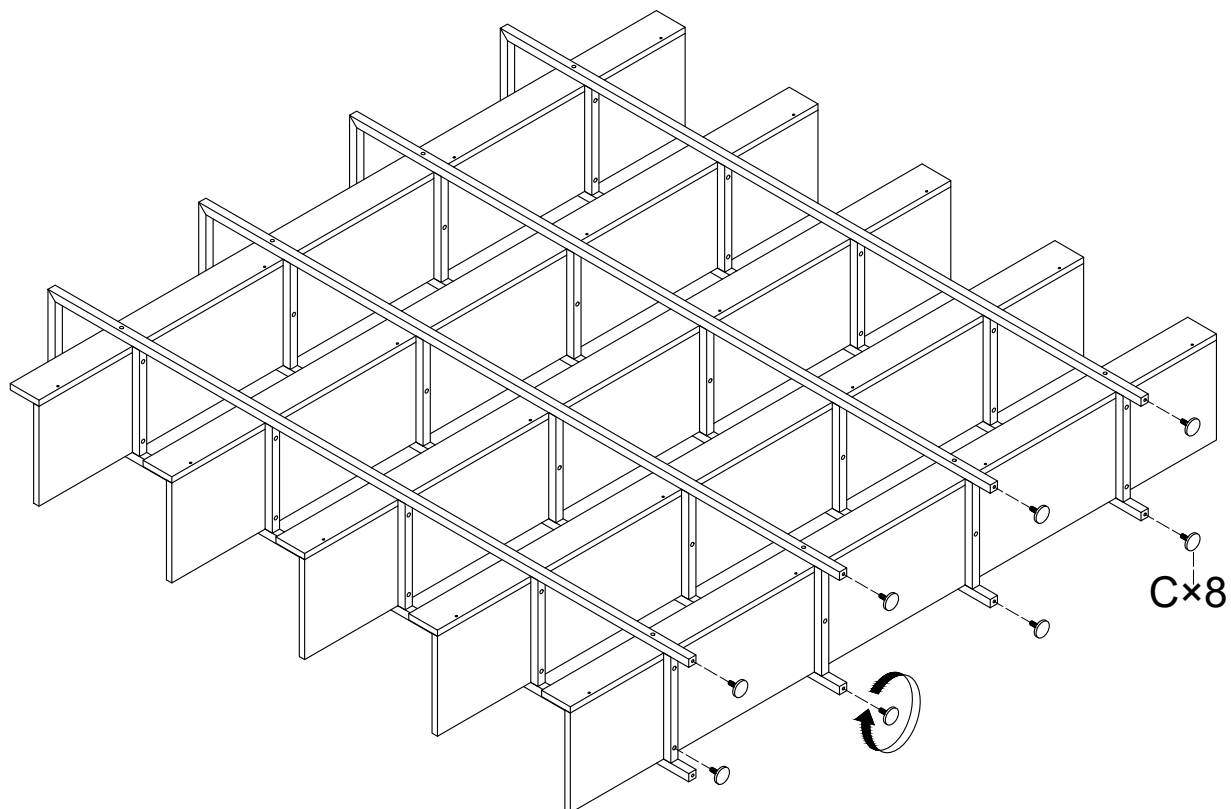
1

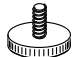


2

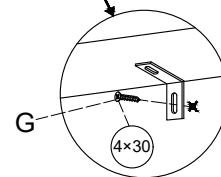
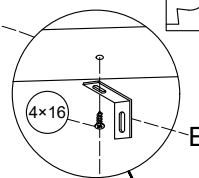
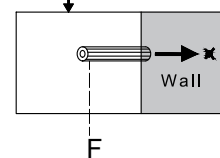
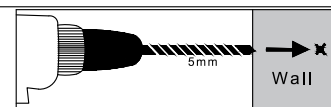
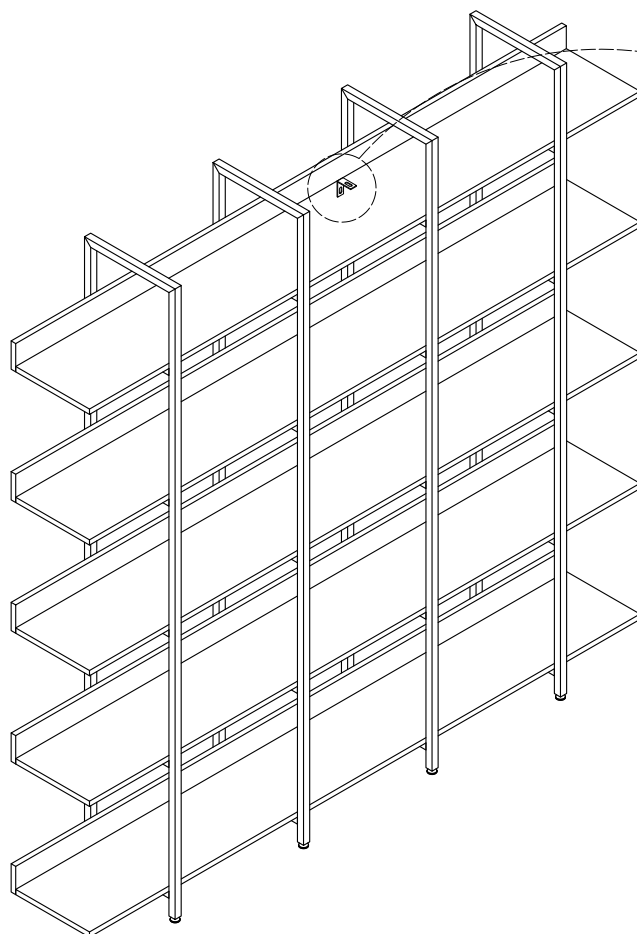






3



C  x8

4



- E  x1
- F  x1
- G  x1
- H  x1