

Granite Countertops

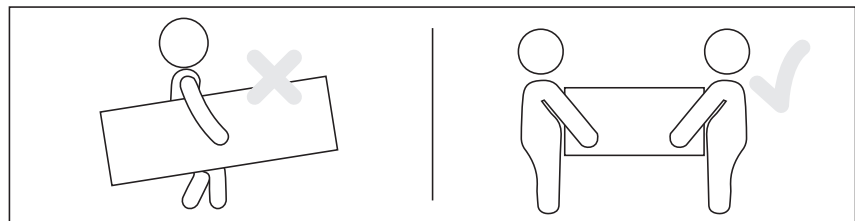
Outdoor Kitchen/Home Cabinets/HomeBar

INSTALLATION GUIDE



Warning: Excessive weight hazard!

Use two or more people to move, assemble, or install granite top to avoid back injury.



ATTENTION: Is your Granite Countertop damaged?

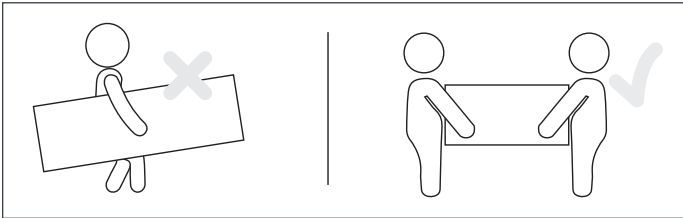
Need help or spare parts? For fastest service, contact NewAge Products at 1-877-306-8930; or support@newageproducts.com. Do not return to the retailer.

Index

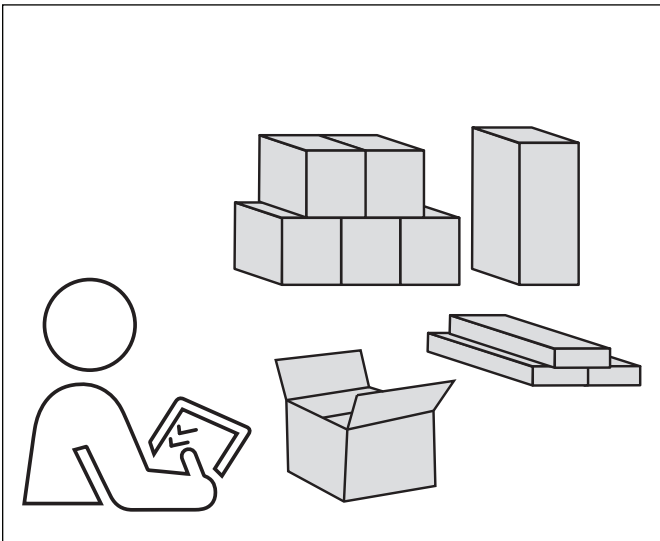
Unpacking	3
Product Inspection	3
Product Information	3
Product Specifications	4
Outdoor Kitchen	4
Home Bar	4
Home Kitchen	4
Tools Needed	5
Types of Countertops (Kitchen Cabinets)	6
Standard Size Countertop	6
Extended Size Countertop	7
Installation Layout	8
Home Kitchen	8
Outdoor Kitchen	9
Home Bar	9
Home Cabinets Countertop Installation	10
Installing Countertop on a dishwasher	13
Installing Corner Counter top	16
Home Bar Countertop Installation	19
Outdoor Kitchen Countertop Installation	21
Use, Care and Maintenance	23
Manufacturer One Year Limited Warranty	24

Unpacking

- Begin by placing the package on a covered flat surface.
- Remove all cardboard, foam packaging material and clear plastic bags.
- Dispose / recycle all packaging materials.
- Verify all the contents in the box and gather the required tools. See “Tools Needed” in the list below.



Product Inspection



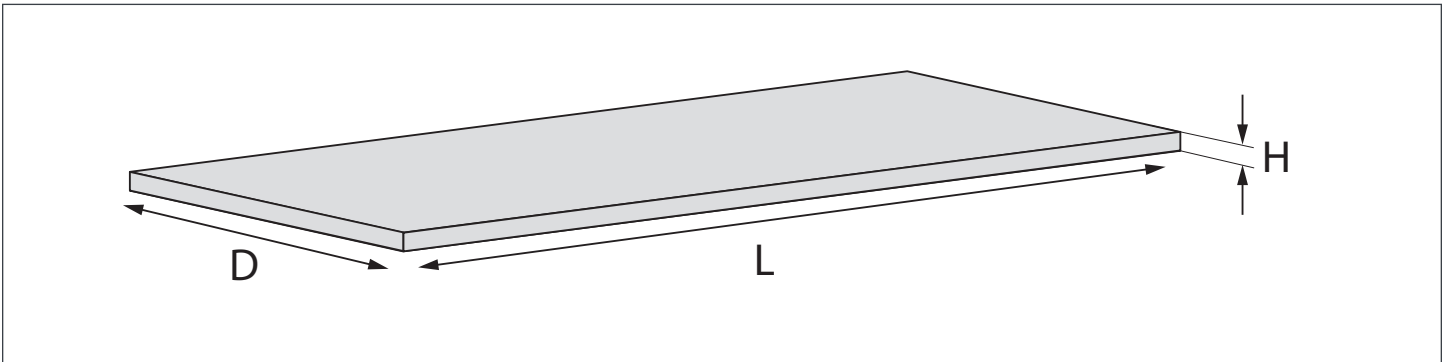
- Check to see all parts are received as per the order placed.
- Contact NewAge Products at 1-877-306-8930; for any missing parts.
- Inspect the products for any damages before starting the installation.
- Go through the installation instructions carefully before starting the installation.

Product Information

This granite countertop has no sealant applied to any surface. It is at the customer’s discretion whether to apply a sealant to the counter tops or not. If the customer decides to apply a sealant, then the customer should follow the sealant’s manufacturer guidelines/instructions on how to apply the sealant.

Attention: Do not attempt to cut the Granite Countertops. The granite tops are made from mixed materials.

Product Specifications



Outdoor Kitchen

Description	L	D	H
Granite Countertop 32in	32in	24in	1.25in
Granite Countertop 56in	56in	24in	1.25in
Granite Countertop 64in	64in	24in	1.25in
Granite Countertop 84in	84in	24in	1.25in

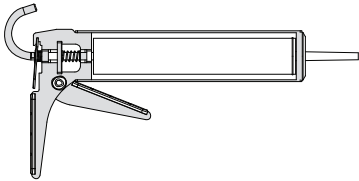
Home Bar

Description	L	D	H
Granite Countertop 42in	42in	22in	1.25in
Granite Countertop 63in	63in	22in	1.25in
Granite Countertop 84in	84in	22in	1.25in

Home Kitchen

Description	Standard Size			Extended Size		
	L	D	H	L	D	H
Granite Countertop 12in	12in	25.5in	1.25in	13.58in	25.5in	1.25in
Granite Countertop 18in	18in	25.5in	1.25in	19.58in	25.5in	1.25in
Granite Countertop 24in	24in	25.5in	1.25in	25.58in	25.5in	1.25in
Granite Countertop 36in	36in	25.5in	1.25in	37.58in	25.5in	1.25in
Granite Countertop 42in	42in	25.5in	1.25in	43.58in	25.5in	1.25in
Granite Countertop 48in	48in	25.5in	1.25in	49.58in	25.5in	1.25in
Granite Countertop 54in	54in	25.5in	1.25in	55.58in	25.5in	1.25in
Granite Countertop 60in	60in	25.5in	1.25in	61.58in	25.5in	1.25in
Granite Countertop 72in	72in	25.5in	1.25in	73.58in	25.5in	1.25in
Granite Countertop 84in	84in	25.5in	1.25in	85.58in	25.5in	1.25in
Corner Granite Countertop - L Shape	45.177"	27.185"	1.25in	-	-	-

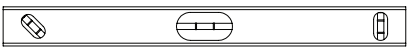
Tools Needed



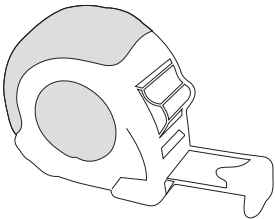
Caulking Gun



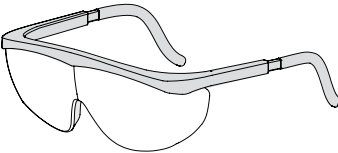
100% Silicone
(Mildew resistant)



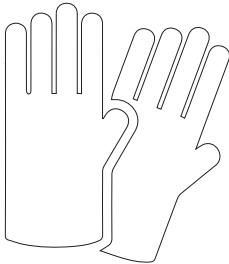
Level



Tape Measure



Safety Glasses



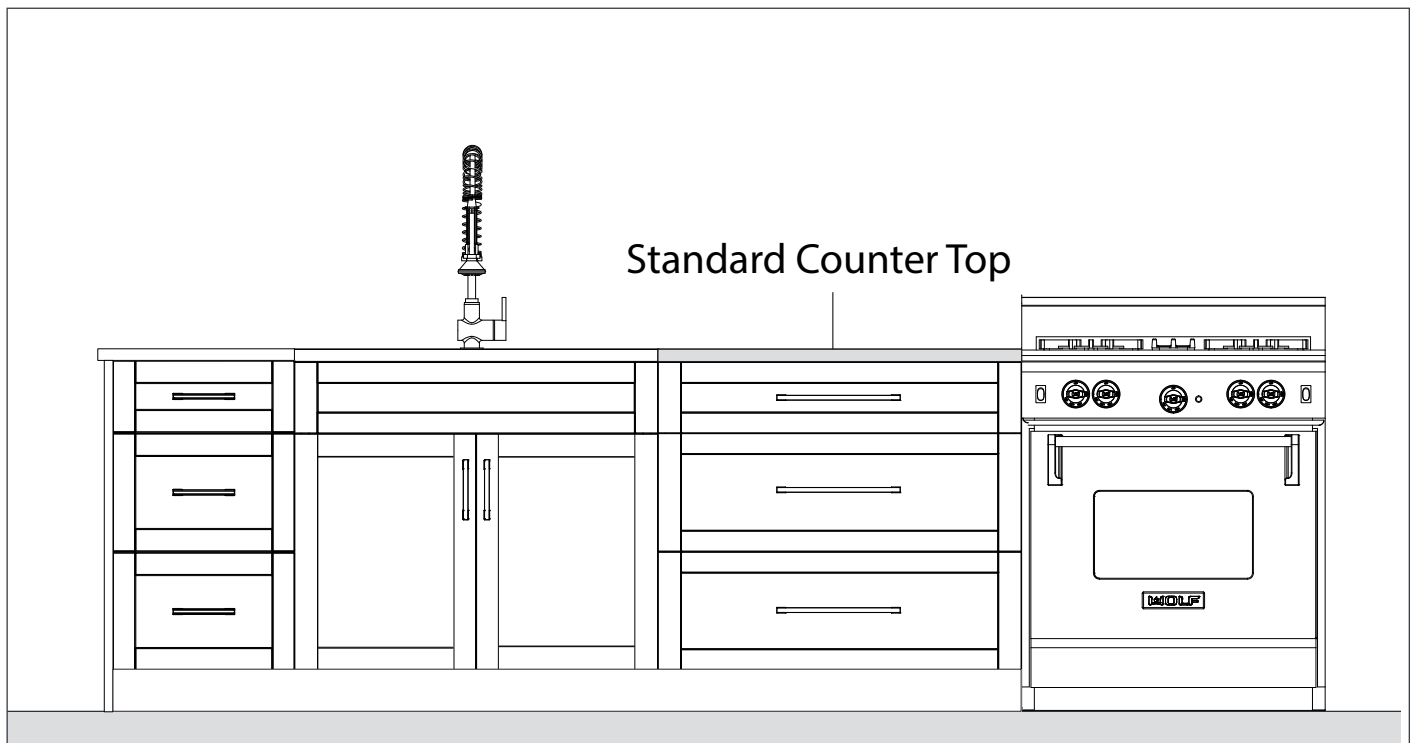
Gloves

Types of Countertops (Kitchen Cabinets)

i This section is not applicable for Outdoor Kitchen and Home Bar Cabinets.

Standard Size Countertop

Standard size countertop widths are matched to the exact cabinet widths. Most commonly used when the countertop is interlocked between appliances.



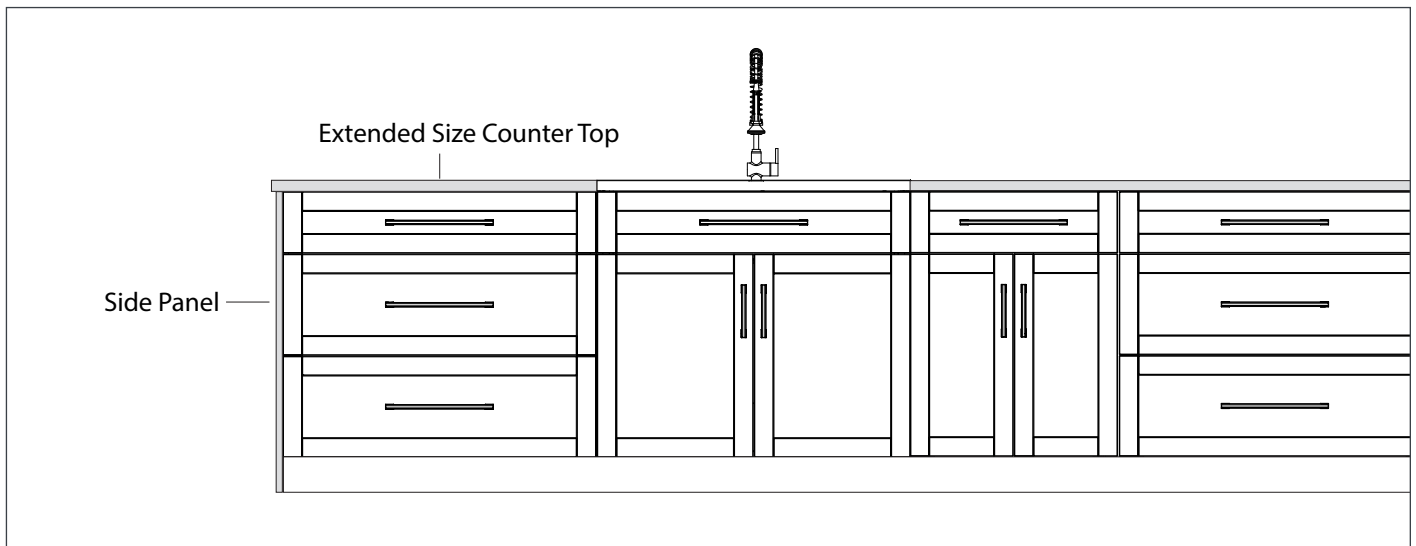
Types of Countertops (Kitchen Cabinets)

Extended Size Countertop

Extended size Countertops are used where the cabinets are installed with the addition of a side panel. Extended size Countertops are 1.57in longer than the standard size countertops to account for the width of two side panels.

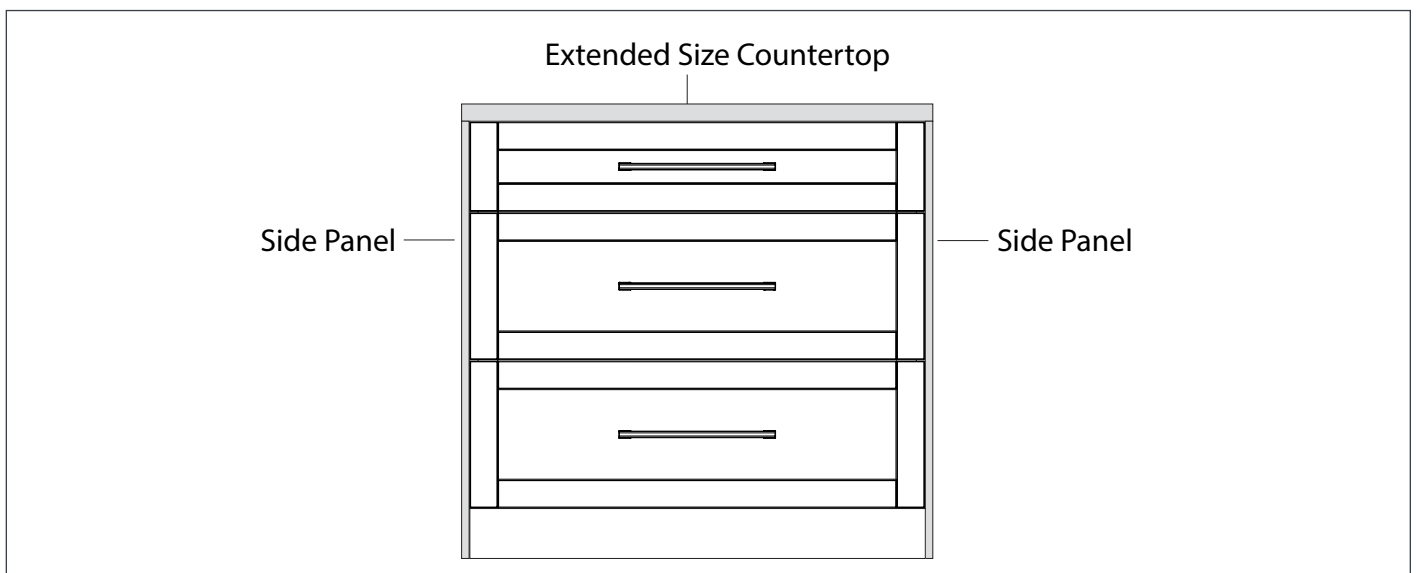
Cabinet with one side panel

When installed on the cabinet with one side panel, the extended size counter top will have an over hang of 20mm.



Cabinet with two side panels

When installed on the cabinet with two side panels, the extended size counter top should be flush with the edges.

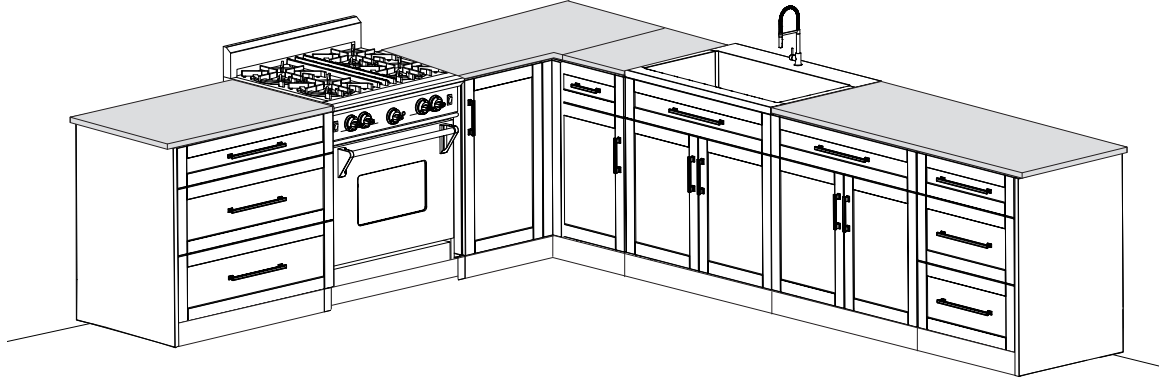


Installation Layout

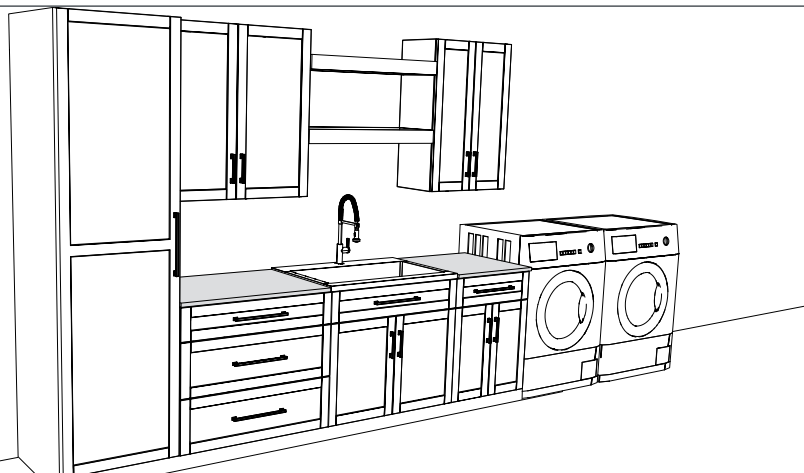
Home Kitchen

Examples of Installation Layout

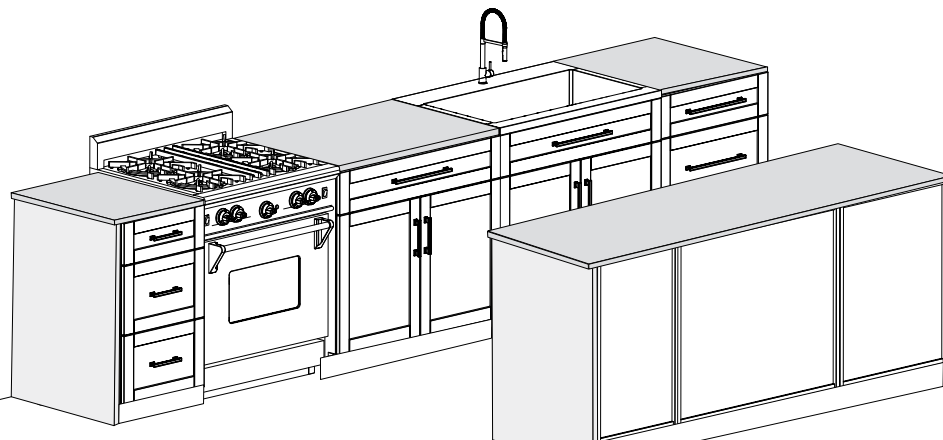
Corner Layout



Linear Layout



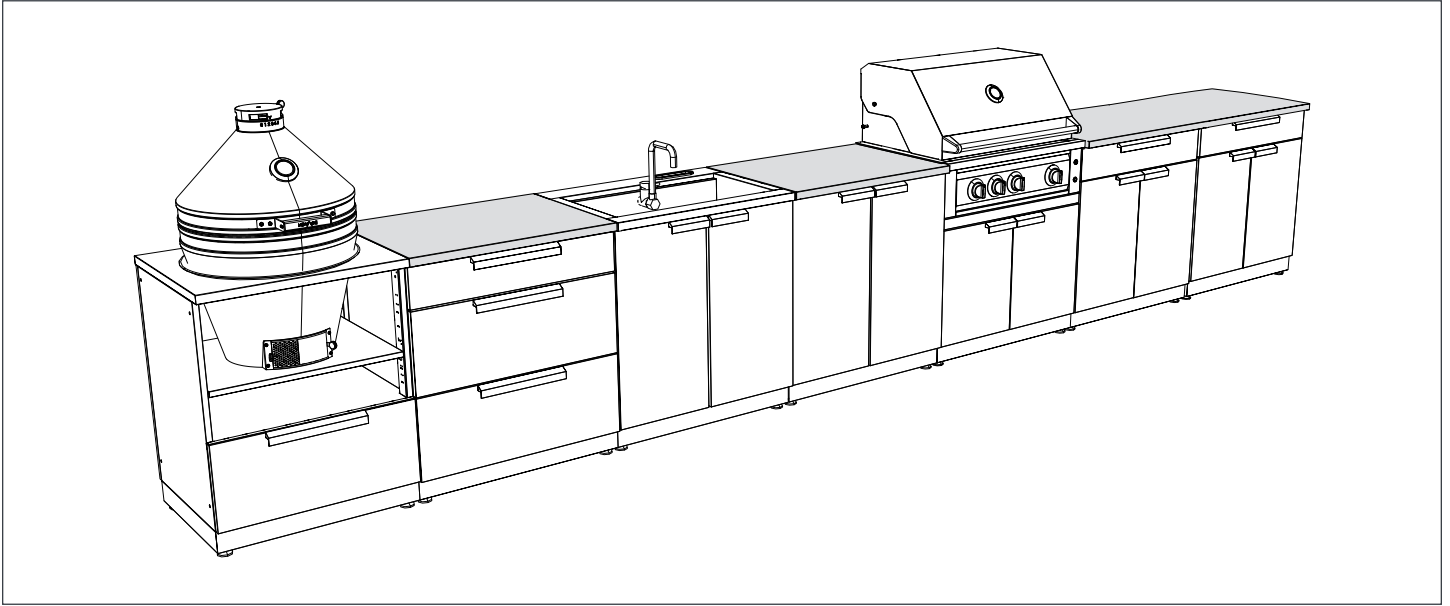
Island Layout



Installation Layout

Outdoor Kitchen

Examples of Installation Layout



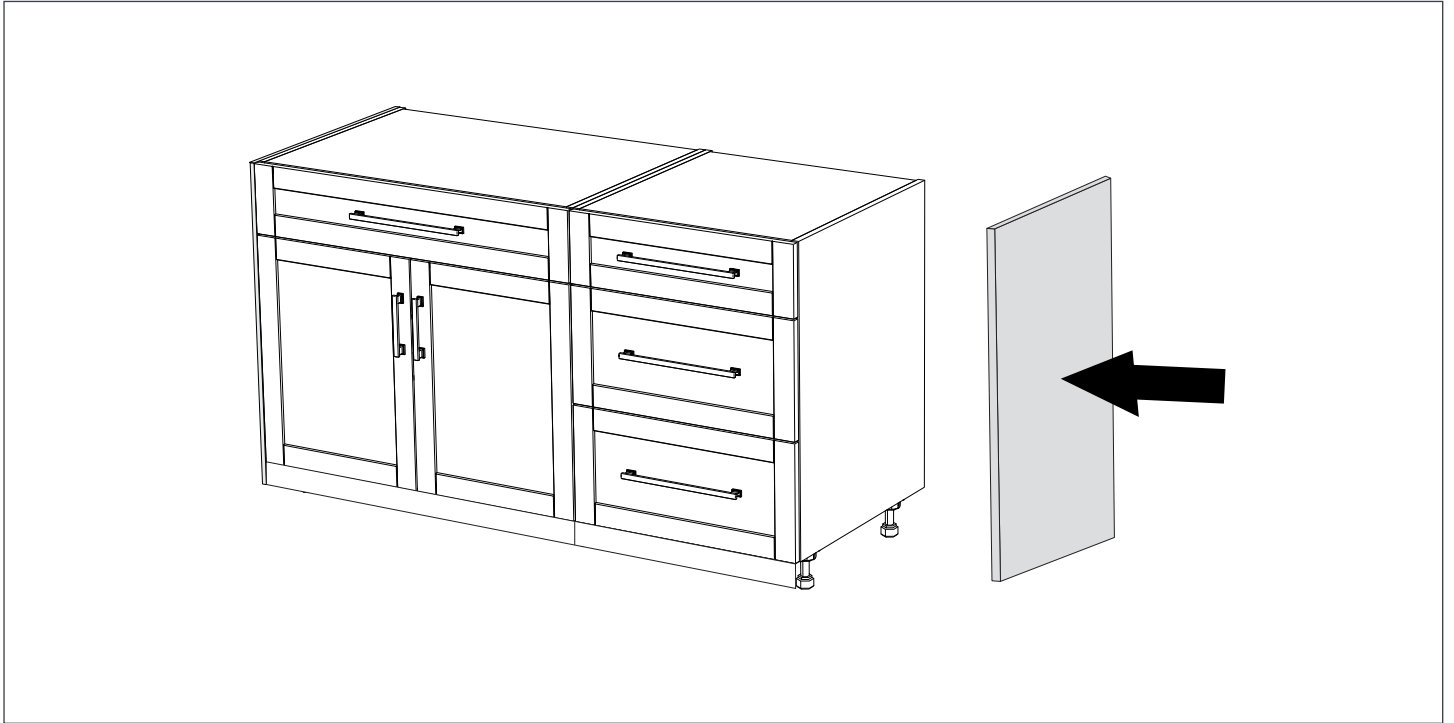
Home Bar

Examples of Installation Layout

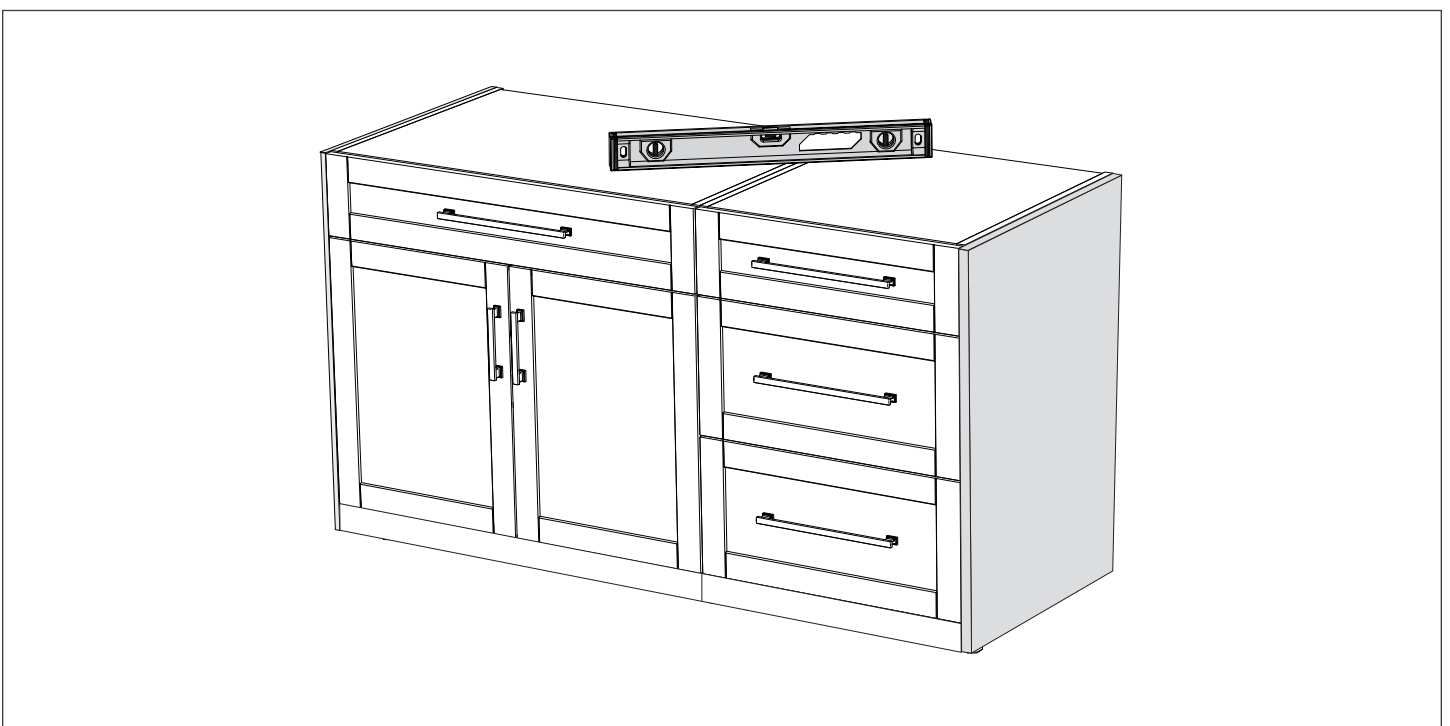


Home Cabinets Countertop Installation

- 1** Install the end panels on the sides of the cabinets. For side panel installation refer to Page 27 in Kitchen Cabinets Install guide.

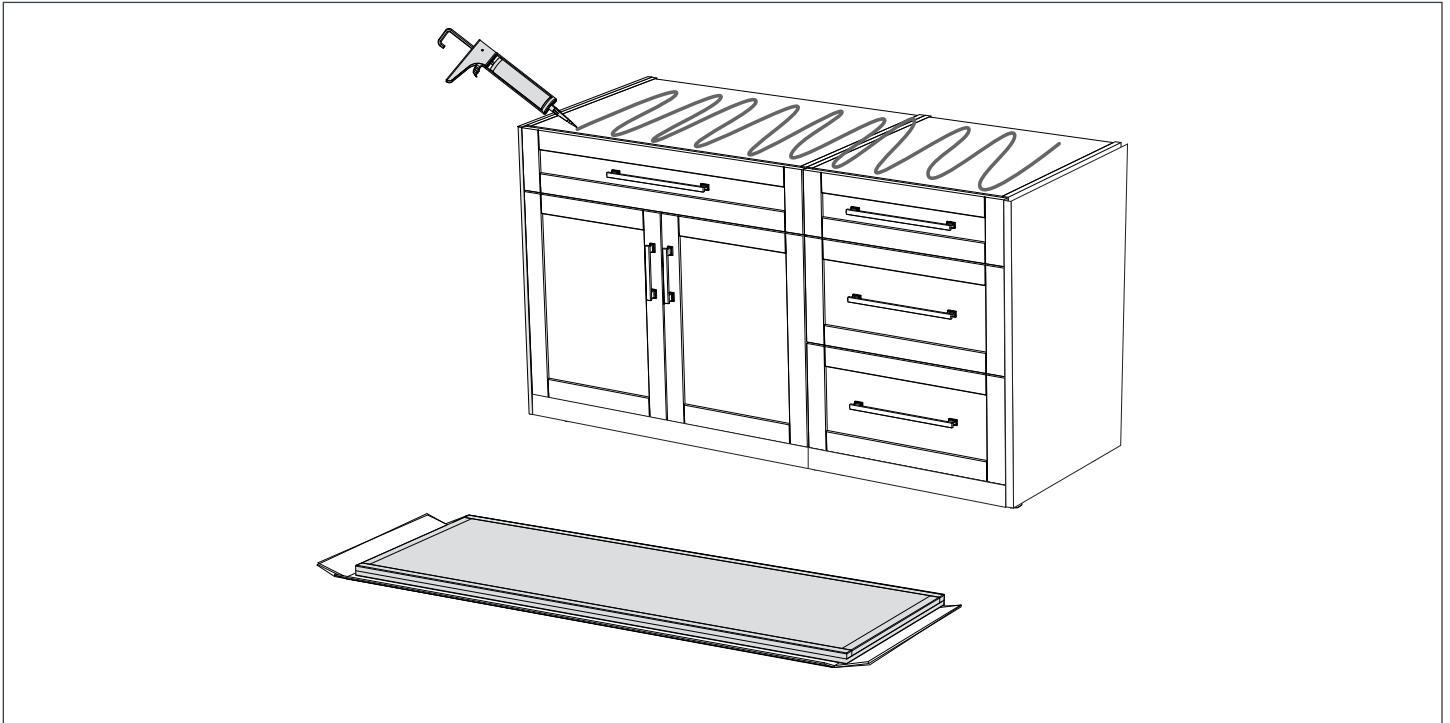


- 2** Make sure the cabinets are attached by screws and level to each other. (Refer to Home Cabinet Install guide for securing and levelling cabinets)

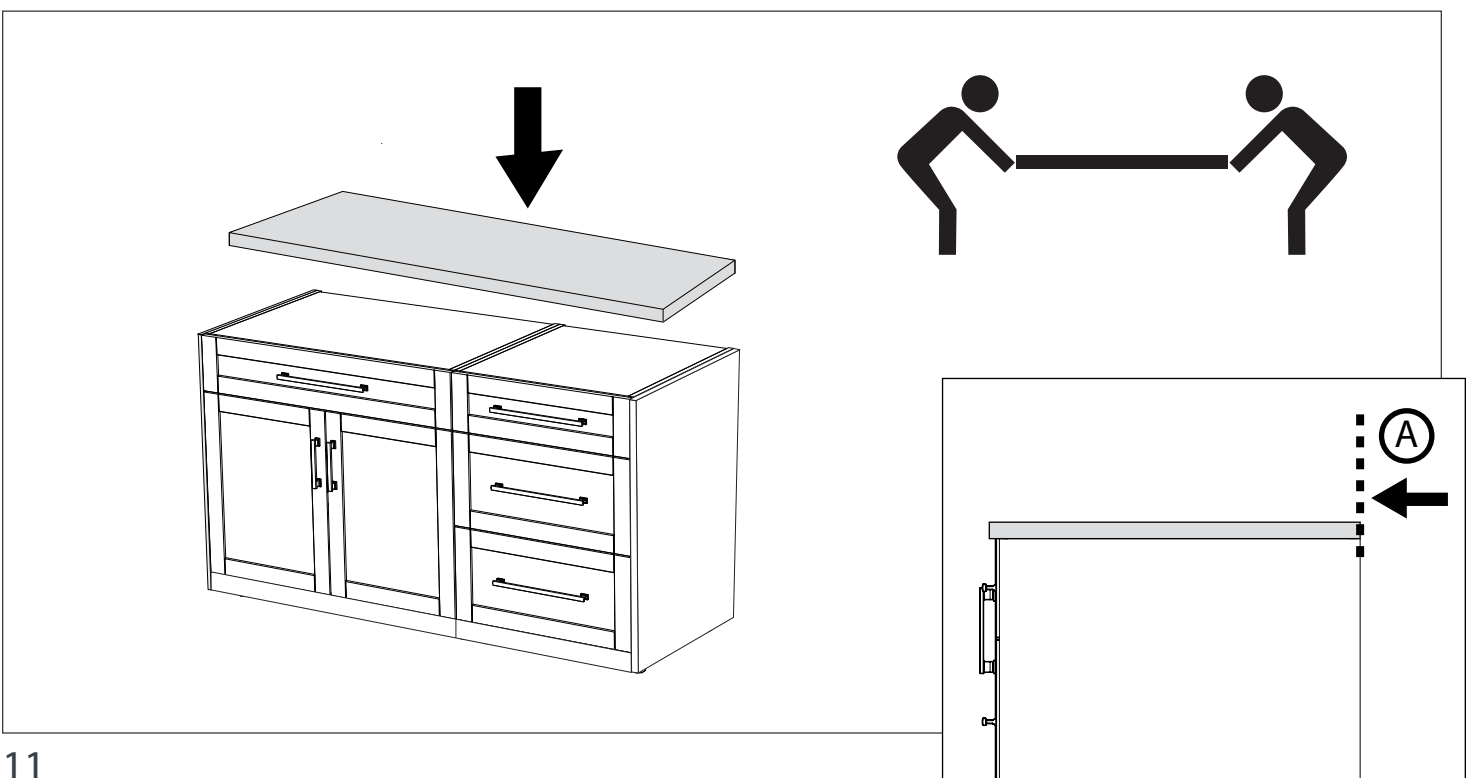


Home Cabinets Countertop Installation

- 3** Using a caulking gun with 100% silicone (not included), apply a bead of silicone on the top panel of the cabinets.



- 4** Using two persons, lift countertop and place on top of cabinets. Align the back edge of the granite top with the back edge of the cabinets, see Diagram A.



Home Cabinets Countertop Installation

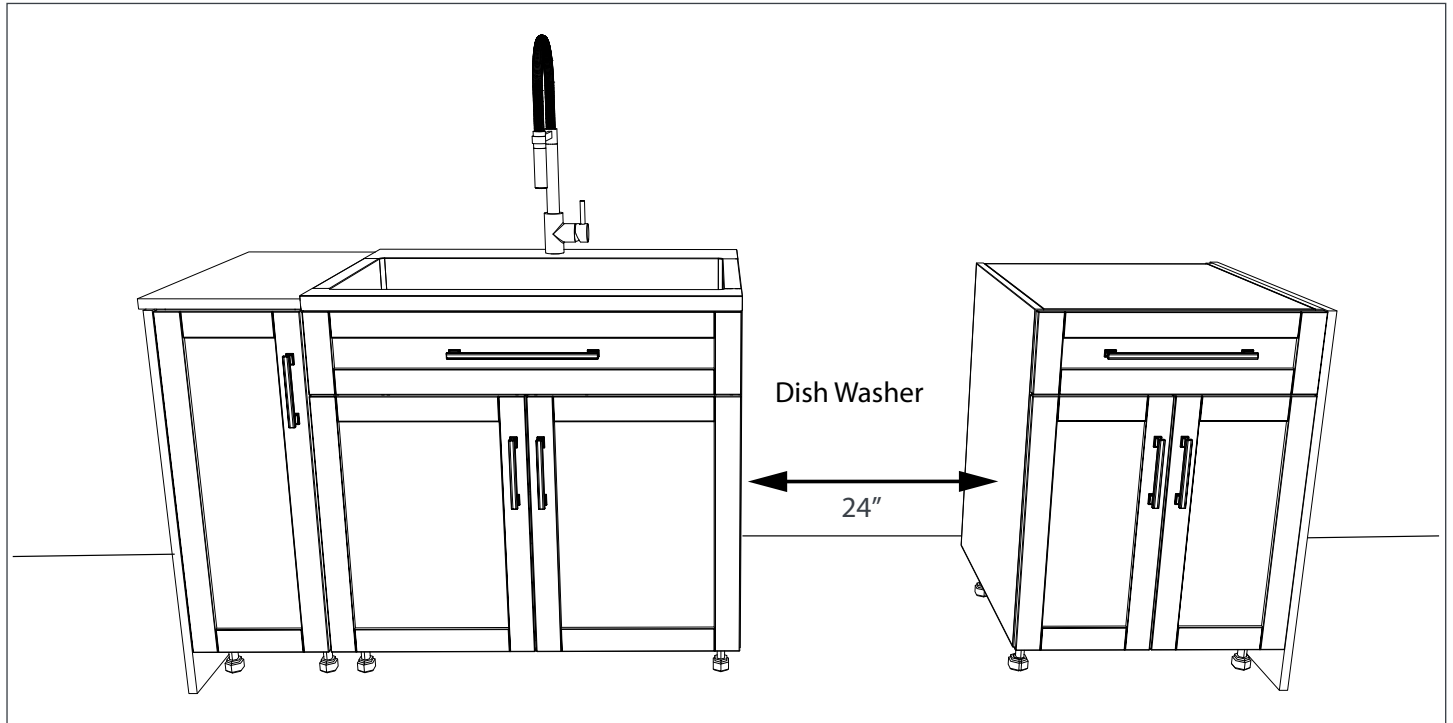
- 5** Make sure the counter top is centered by aligning the countertop edges with the side panels. Using a wet cloth, wipe away any excess silicone along joint between countertop and cabinet. Follow the silicone manufacturers instructions for dry time.



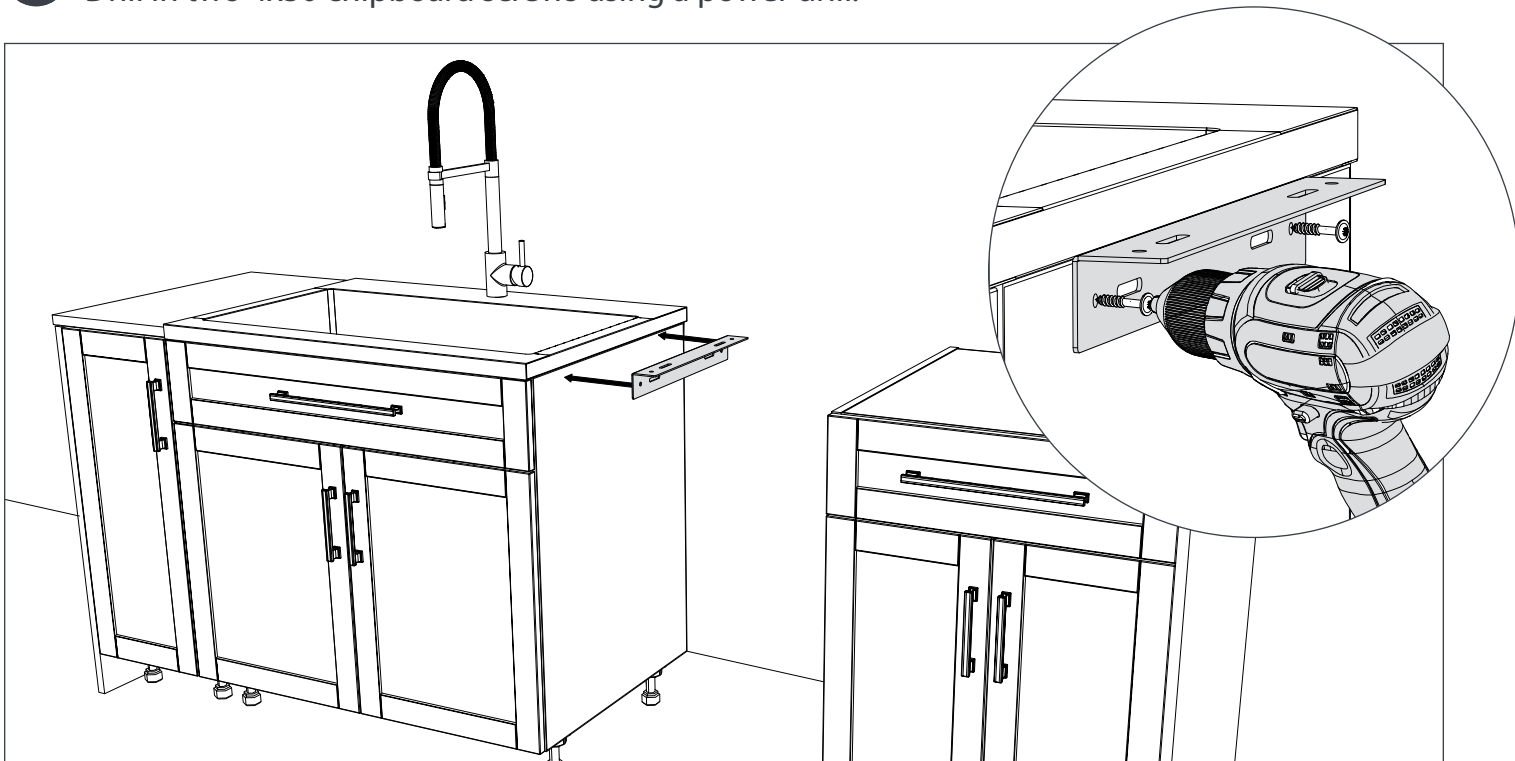
Home Cabinets Countertop Installation

Installing Countertop on a dishwasher

- 1 leave space for the dish washer of 24" for a standard dishwasher and install adjacent cabinets next to it.



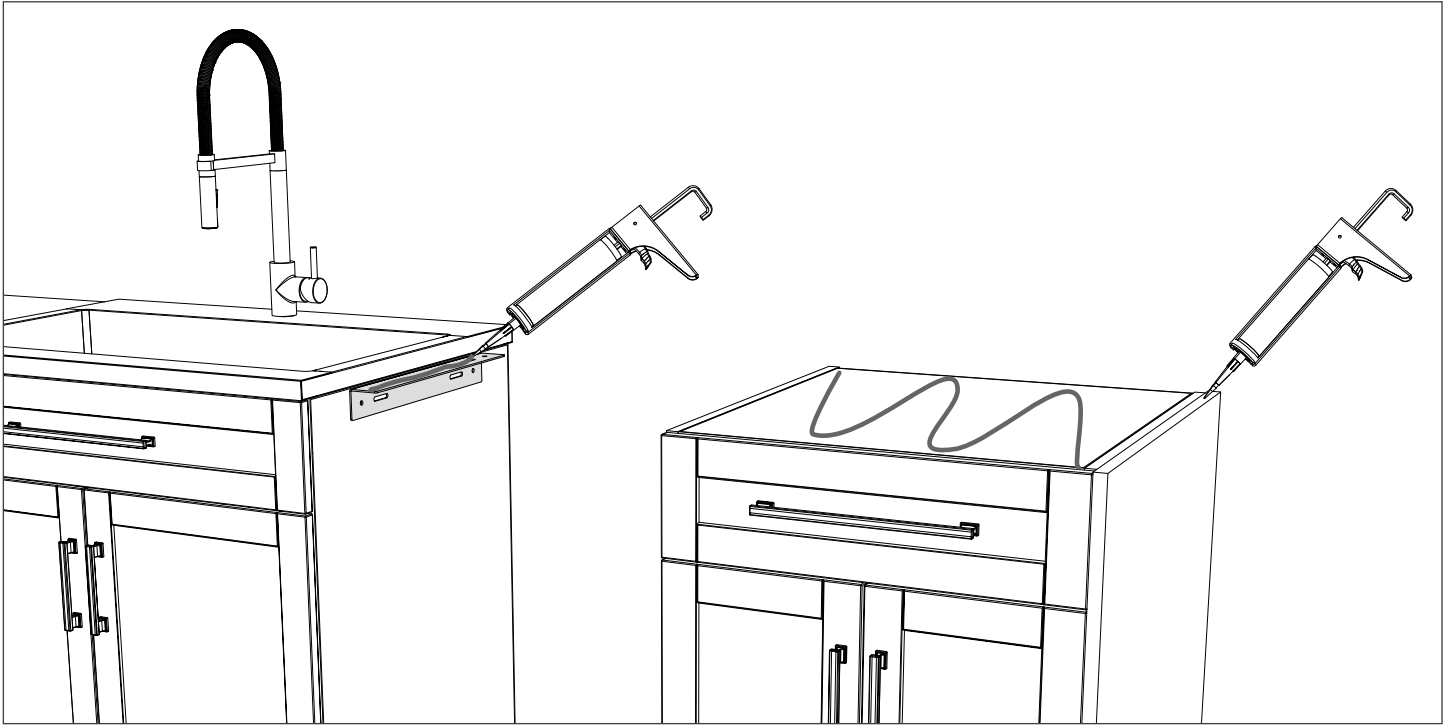
- 2 Take the support bracket and install to the side panel of the sink cabinet just below the sink. Drill in two 4x30 chipboard screws using a power drill.



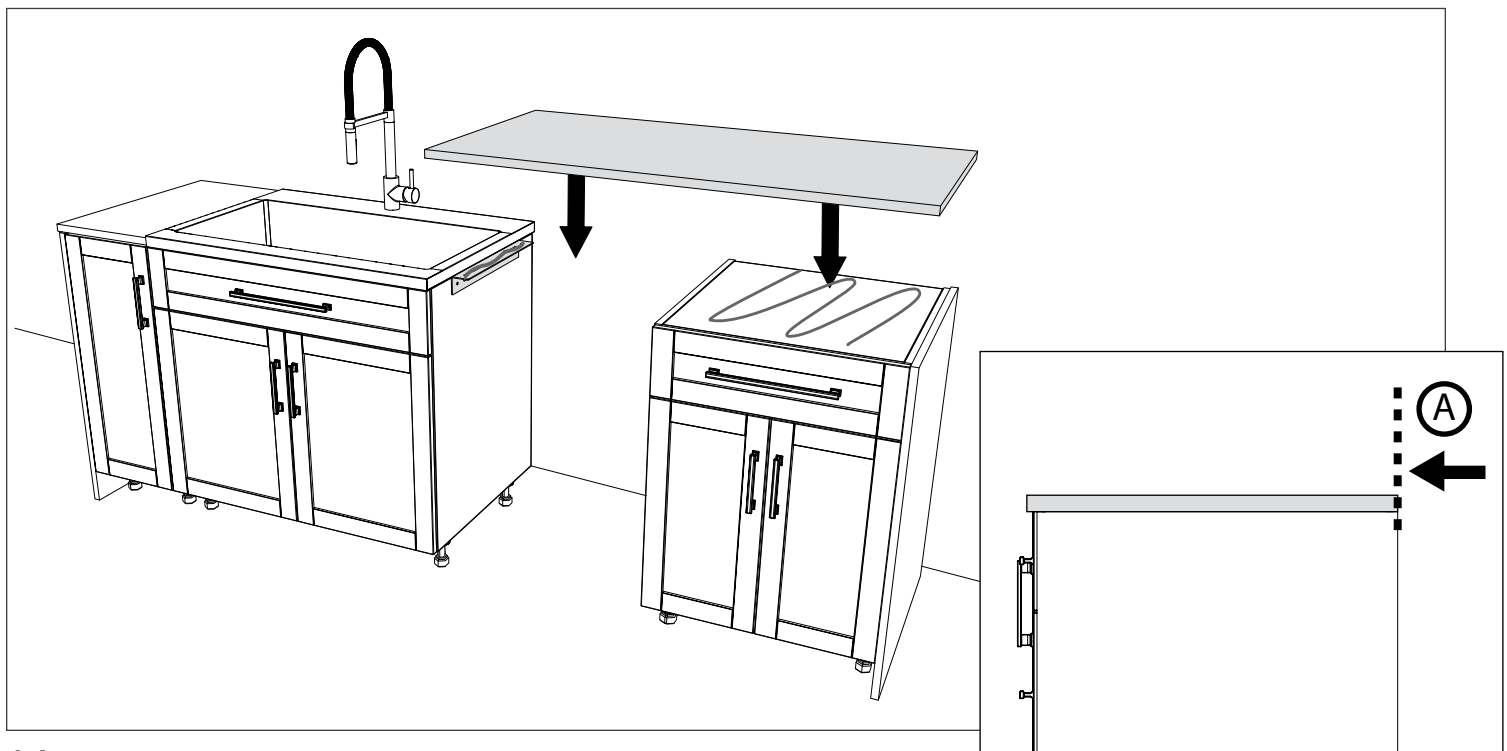
Home Cabinets Countertop Installation

Installing Countertop on a dishwasher

- 3** Using a caulking gun with 100% silicone (not included), apply a bead of silicone on the top panel of the cabinets and the support bracket.



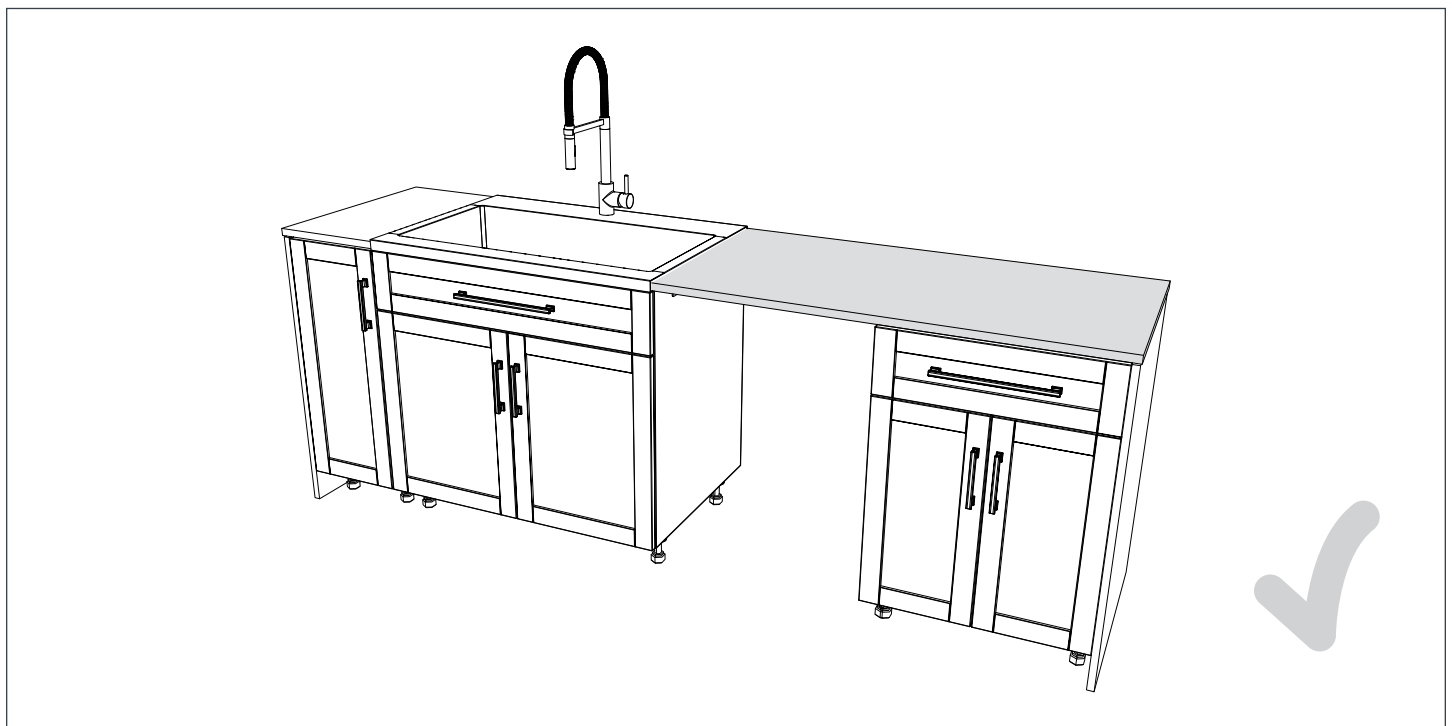
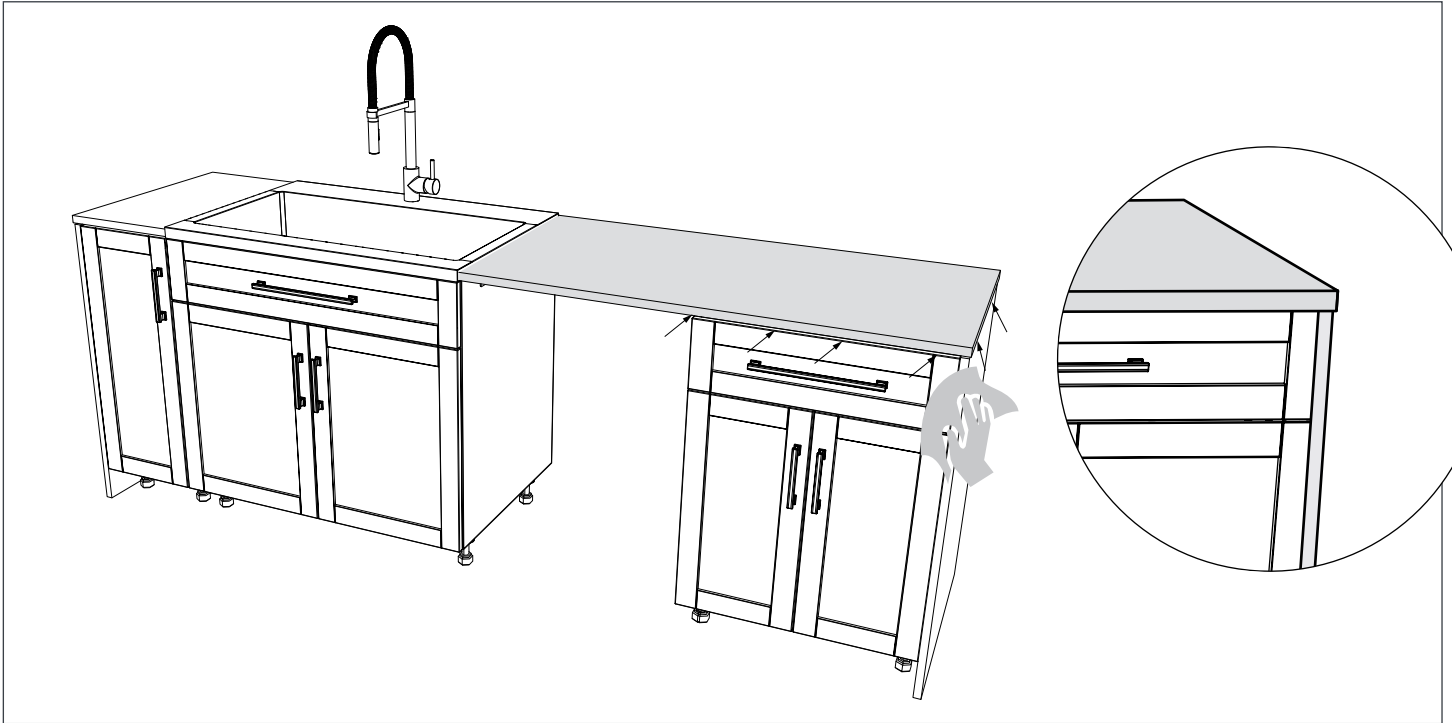
- 4** Using two persons, lift countertop and place on top of cabinets and the support bracket. Align the back edge of the granite top with the back edge of the cabinets, see Diagram A.



Home Cabinets Countertop Installation

Installing Countertop on a dishwasher

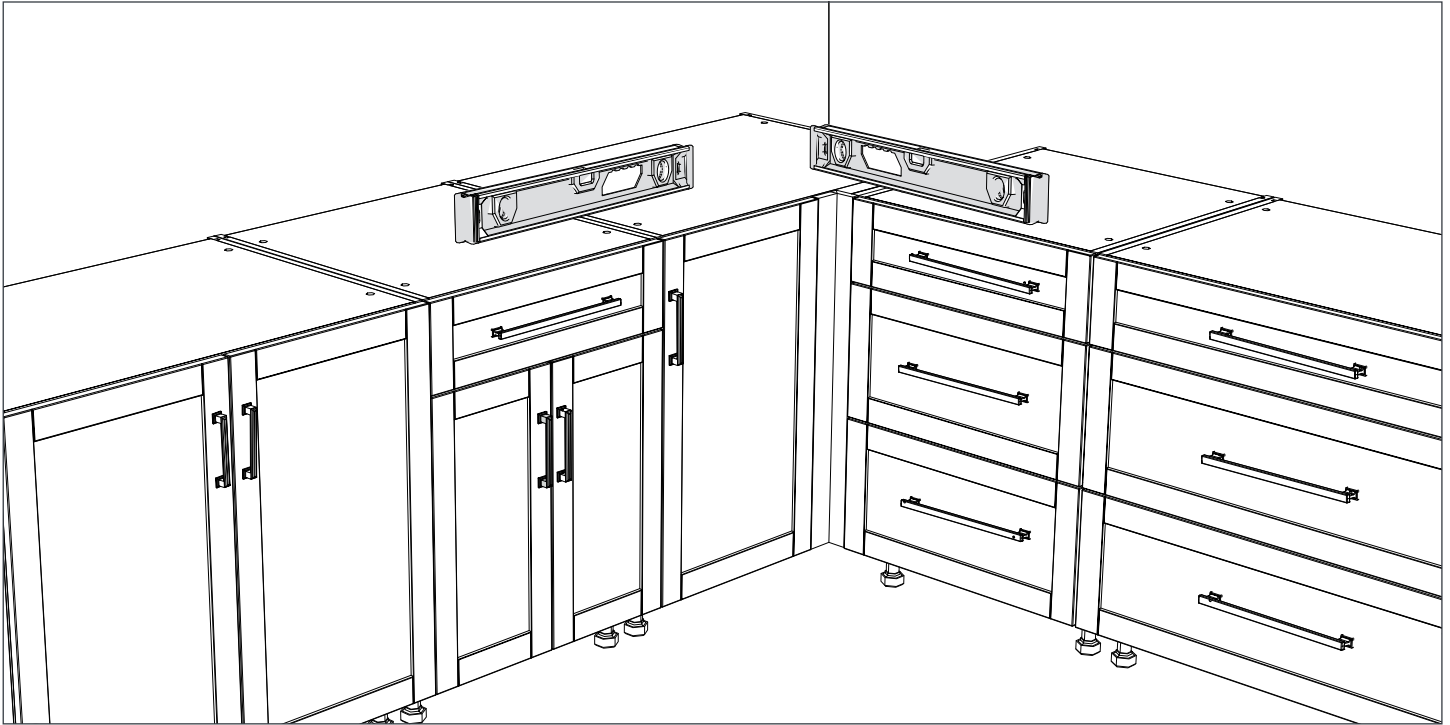
- 5** Make sure the counter top is centered by aligning the countertop edges with the side panels. Using a wet cloth, wipe away any excess silicone along joint between countertop and cabinet. Follow the silicone manufacturers instructions for dry time.



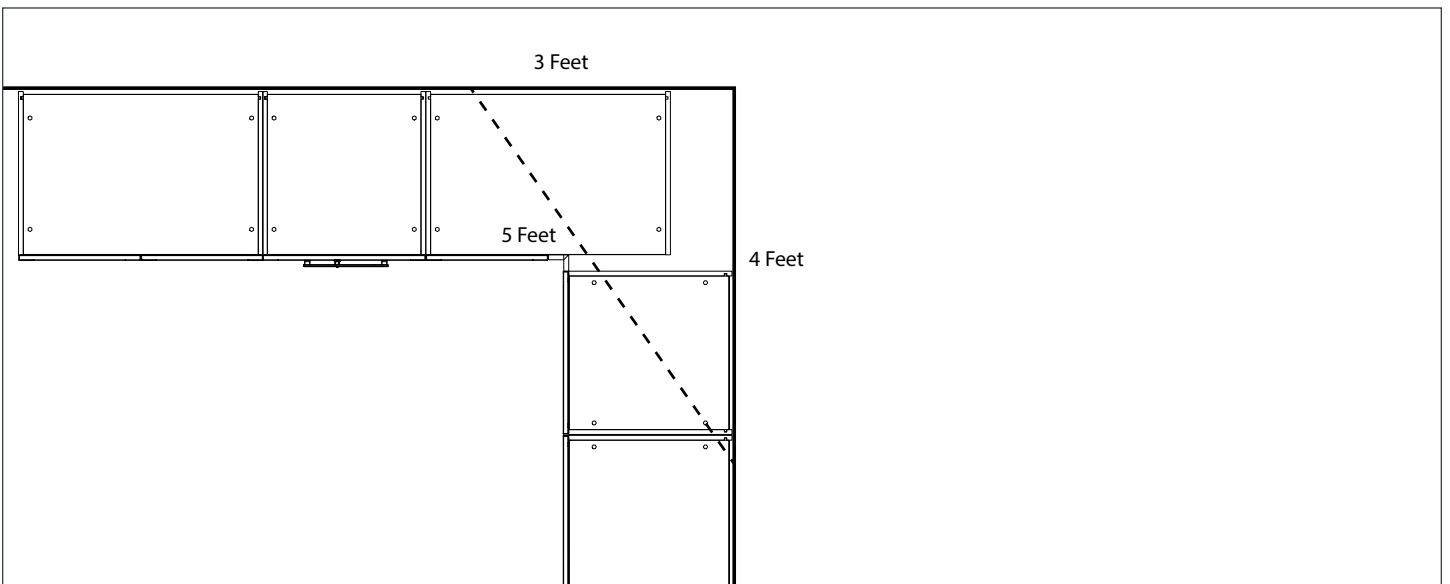
Home Cabinets Countertop Installation

Installing Corner Counter top

- 1 Make sure the cabinets are attached by screws and level to each other.
(Refer to Home Cabinet Install guide for securing and levelling cabinets)



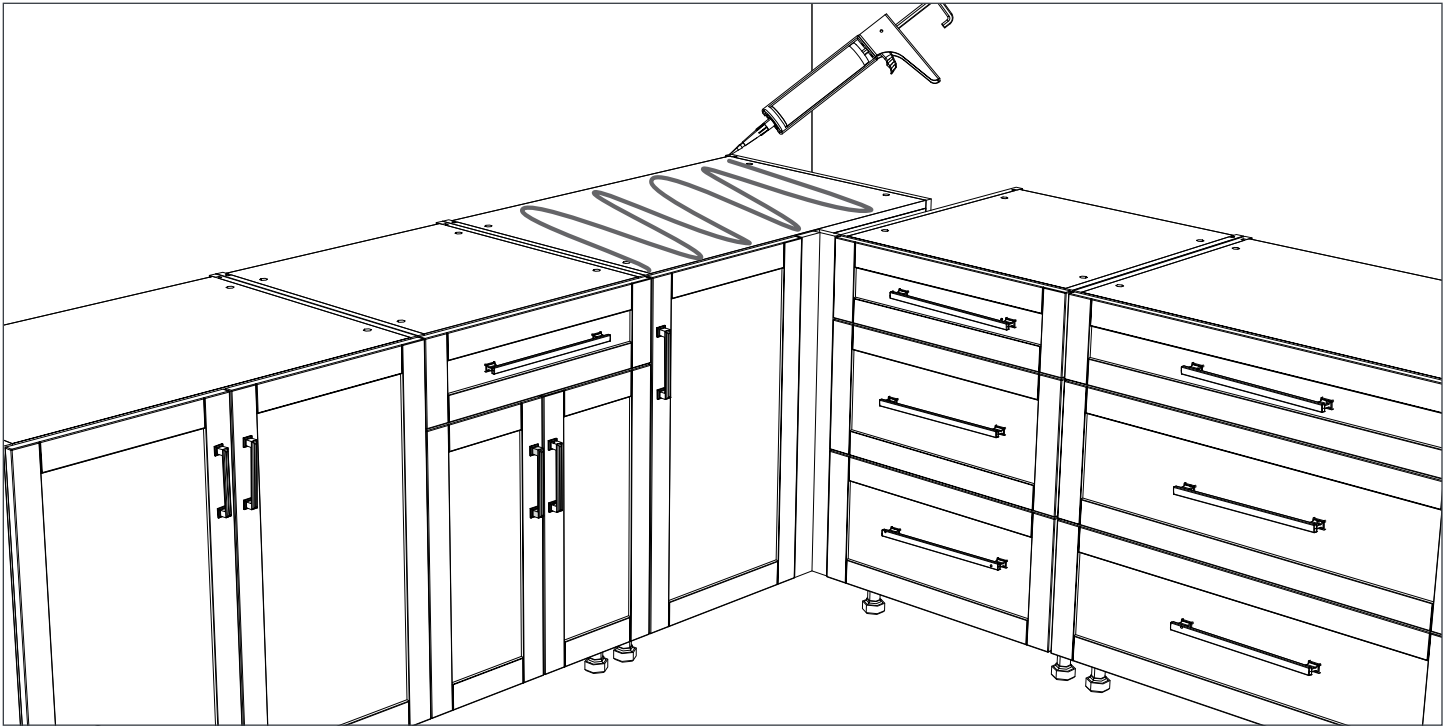
2



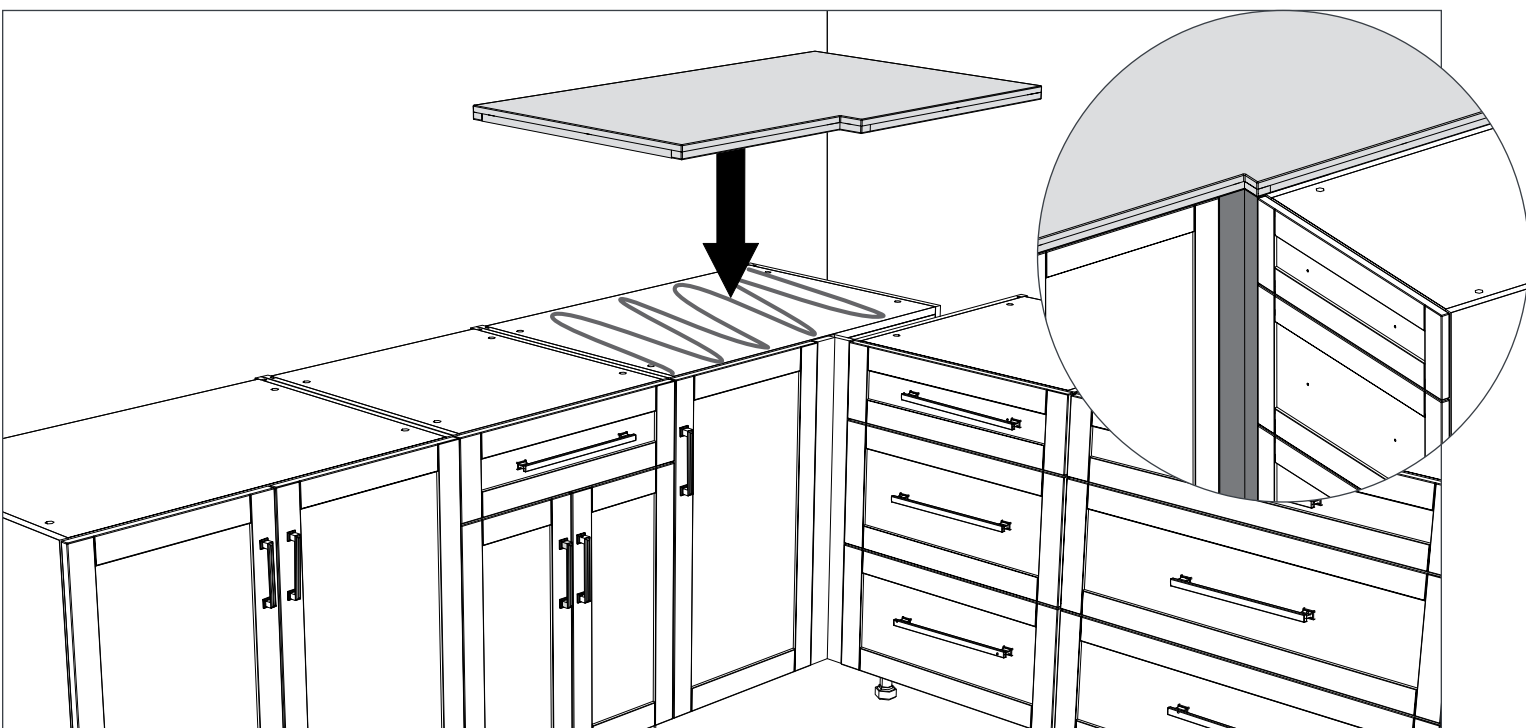
Home Cabinets Countertop Installation

Installing Corner Counter top

- Using a caulking gun with 100% silicone (not included), apply a bead of silicone on the top panel of the cabinets.



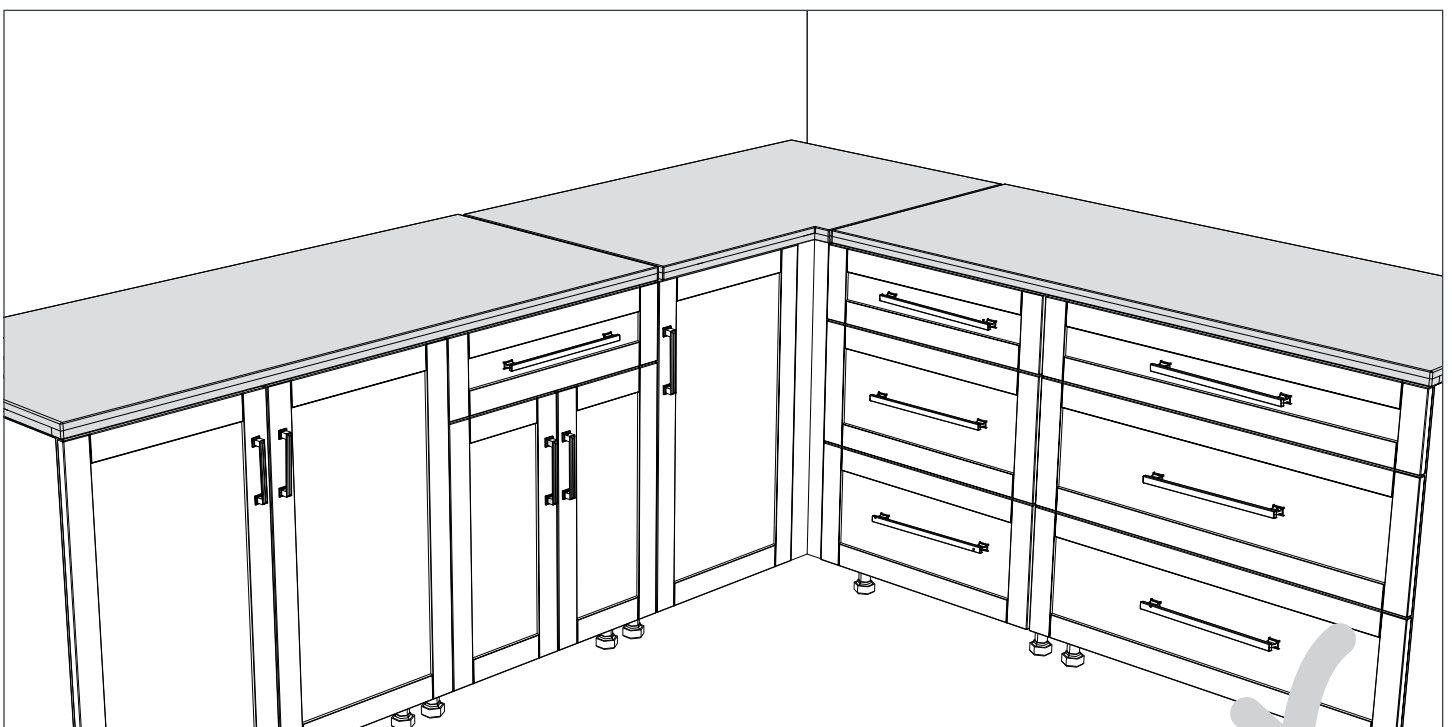
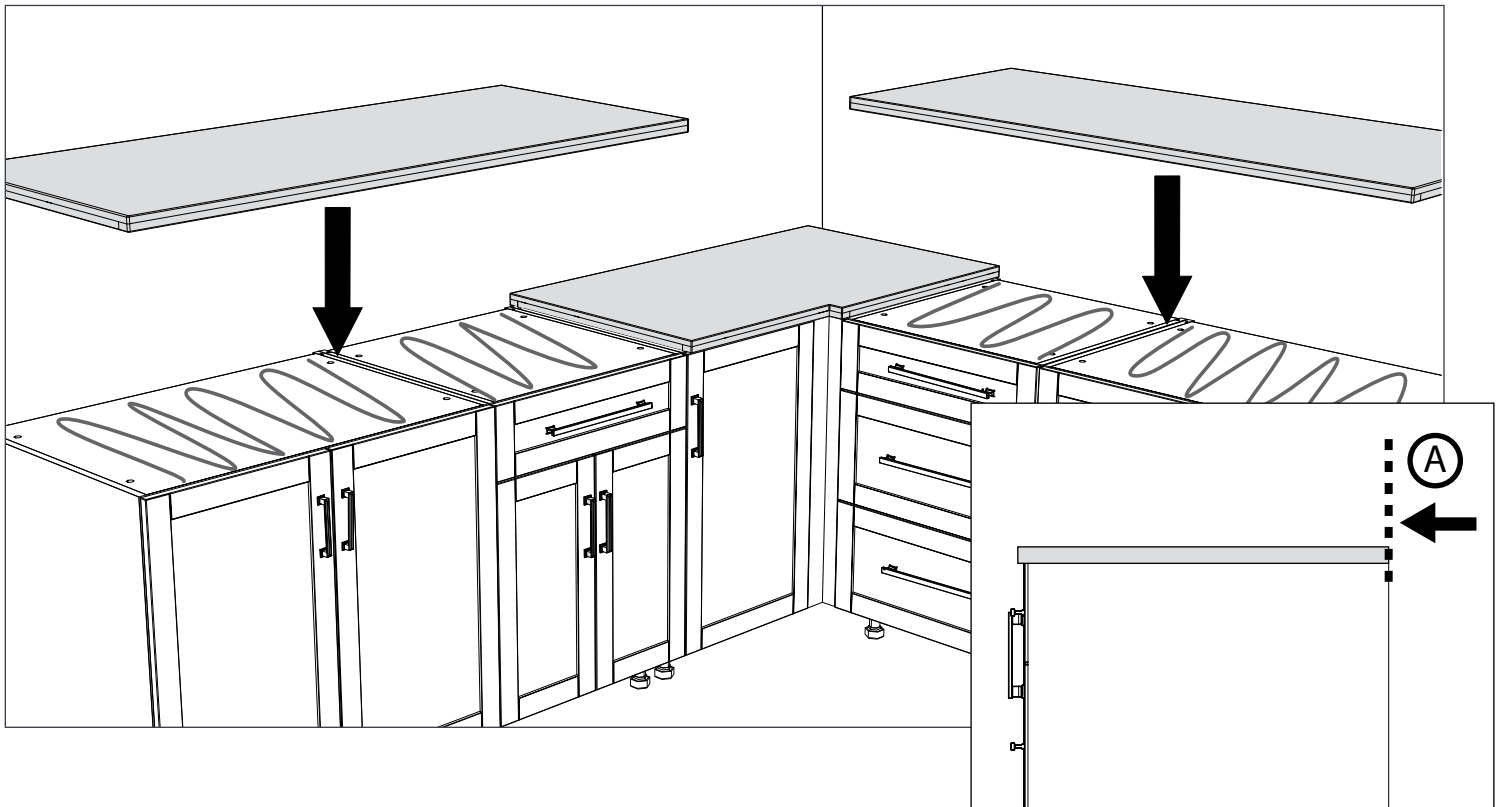
- Using two persons, lift L-Shaped countertop and place on top of the corner cabinet.



Home Cabinets Countertop Installation

Installing Corner Counter top

- 5** Using two persons, lift countertop and place on top of cabinets and the support bracket. Align the back edge of the granite top with the back edge of the cabinets, see Diagram A.

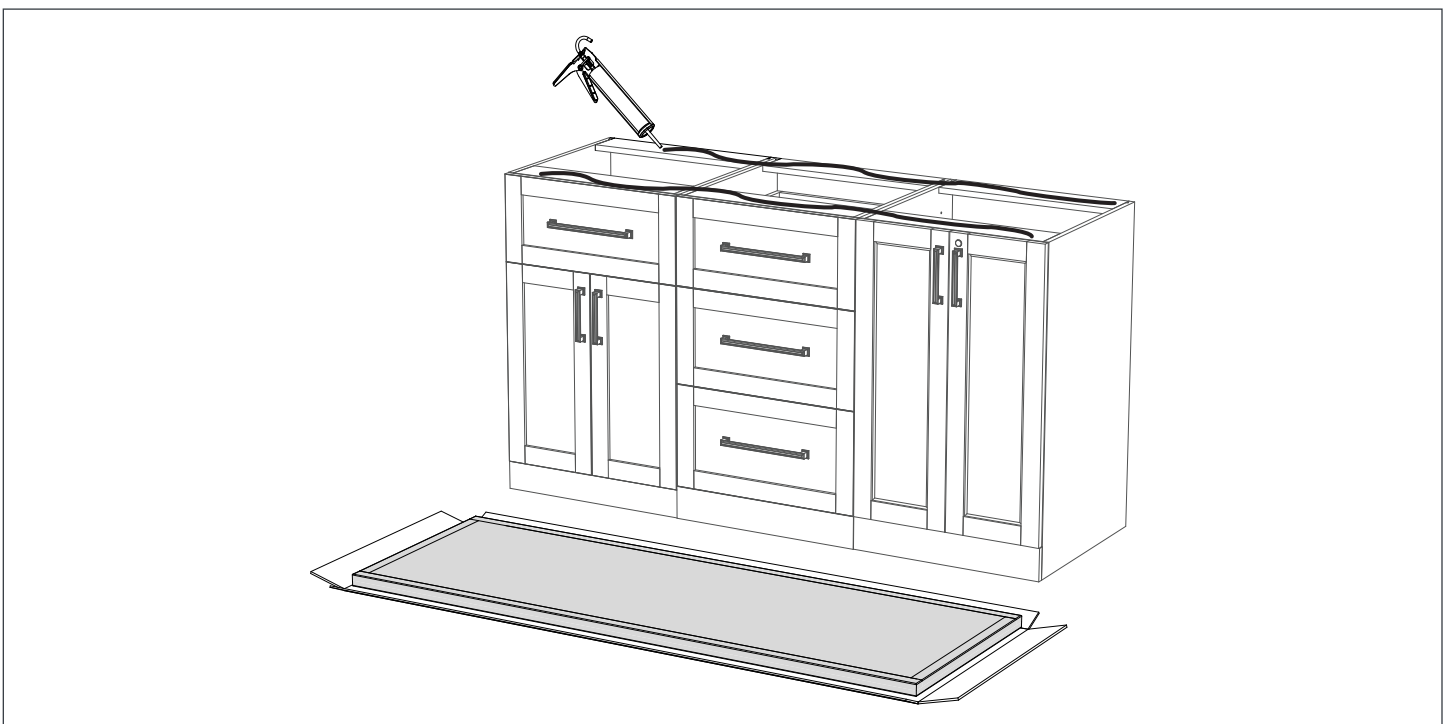


Home Bar Countertop Installation

- 1** Fasten and level cabinets to each other.
(Refer to Home Bar Install guide for securing, fastening and levelling cabinets)

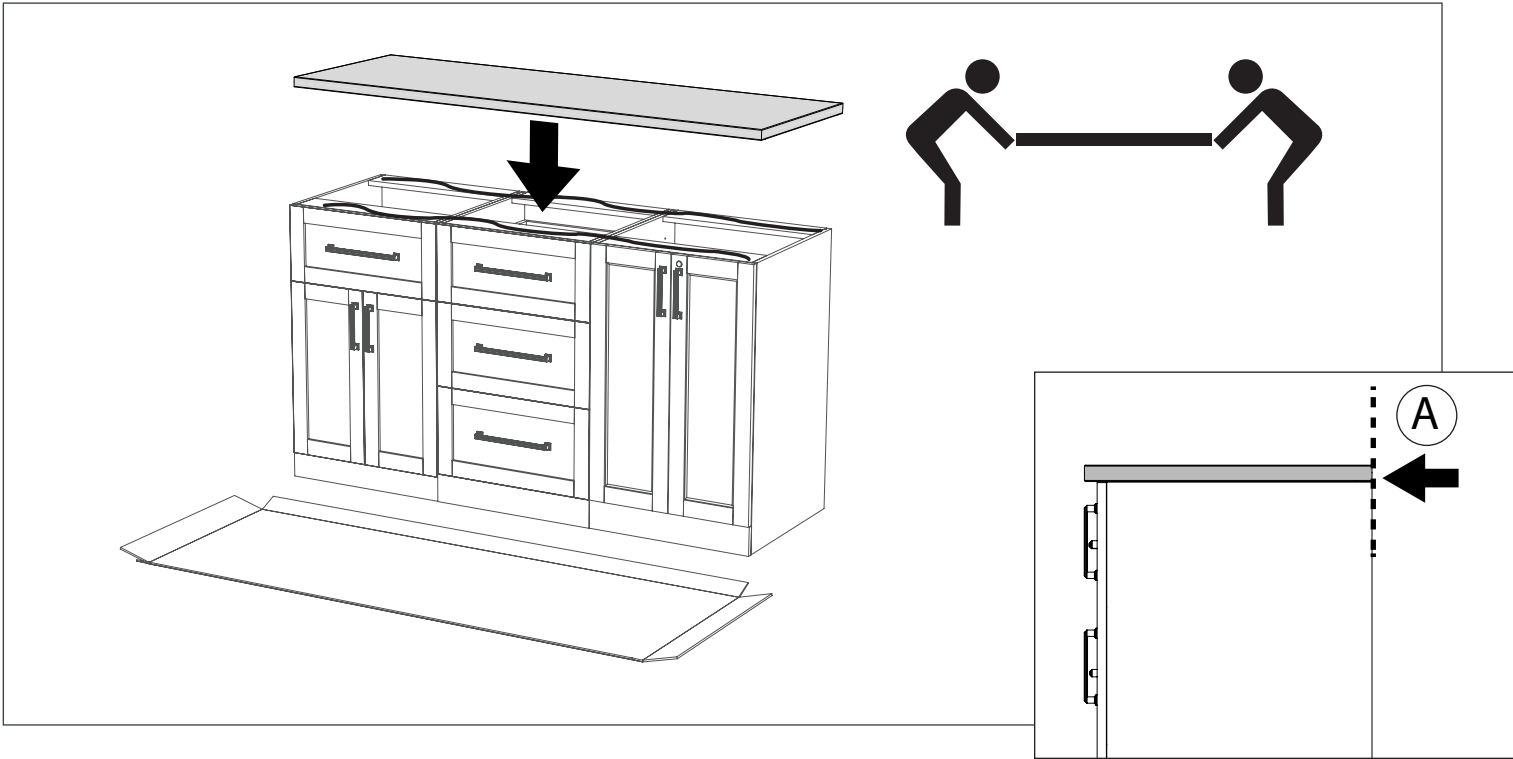


- 2** Using a caulking gun with 100% silicone (not included), apply a bead of silicone along the top frame supports of the cabinets.

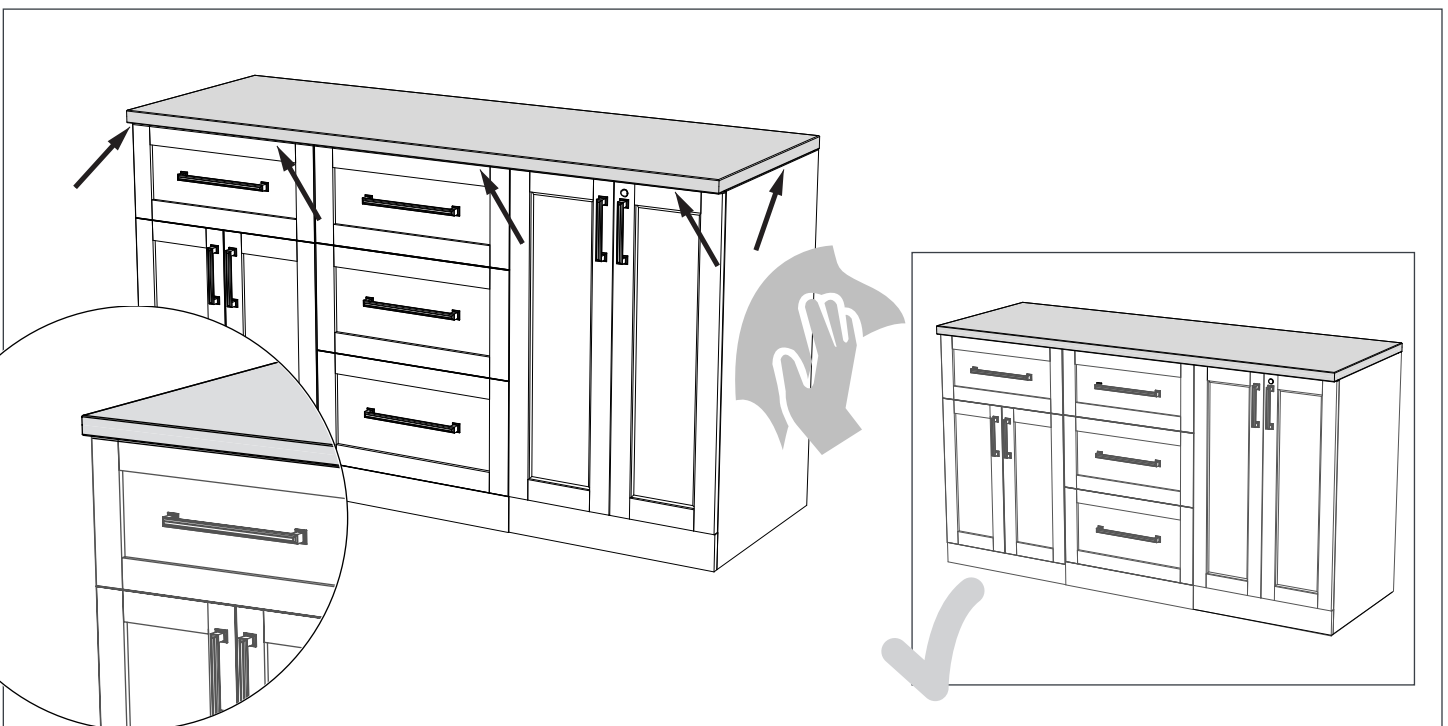


Home Bar Countertop Installation

- 3** Using two persons, lift countertop and place on top of cabinets. Align the back edge of the granite top with the back edge of the cabinets, see Diagram A.

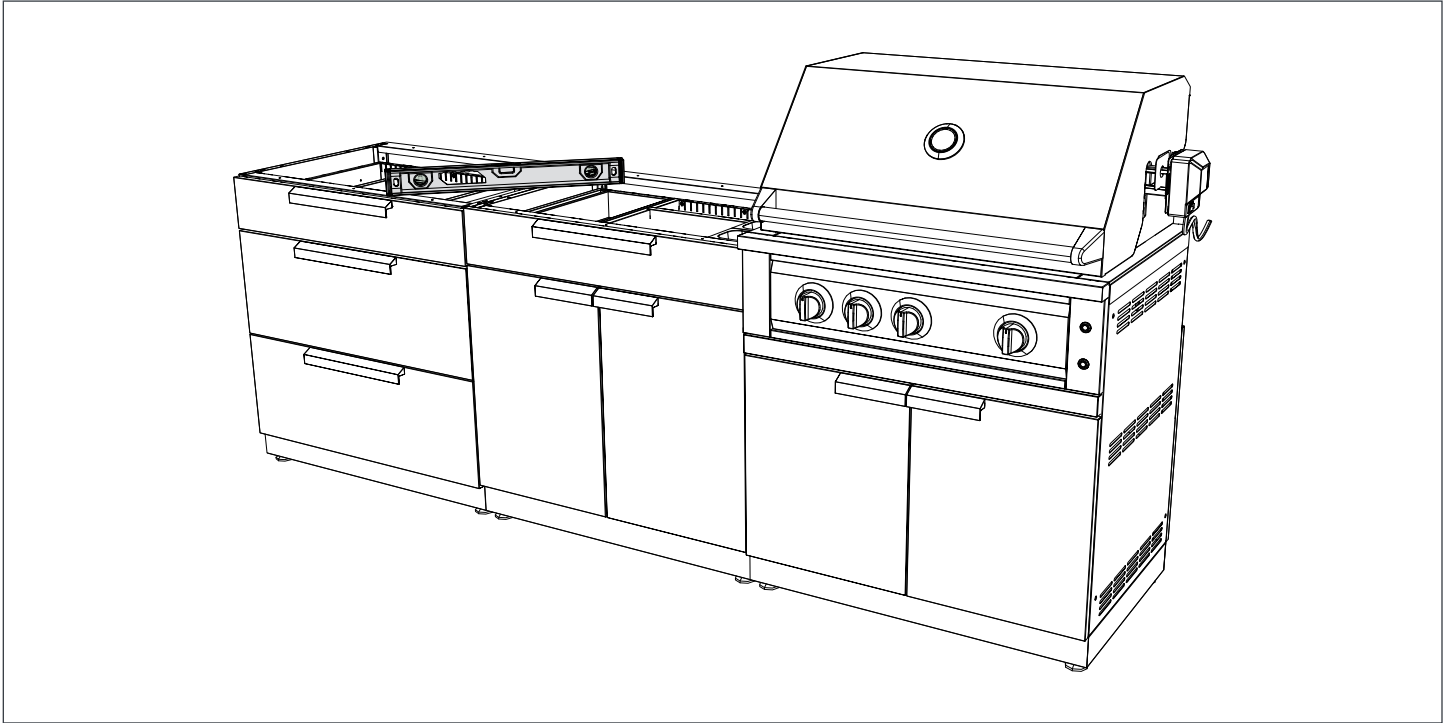


- 4** Make sure the counter top is centered by aligning the countertop edges with the side panels. Using a wet cloth, wipe away any excess silicone along joint between countertop and cabinet. Follow the silicone manufacturers instructions for dry time.

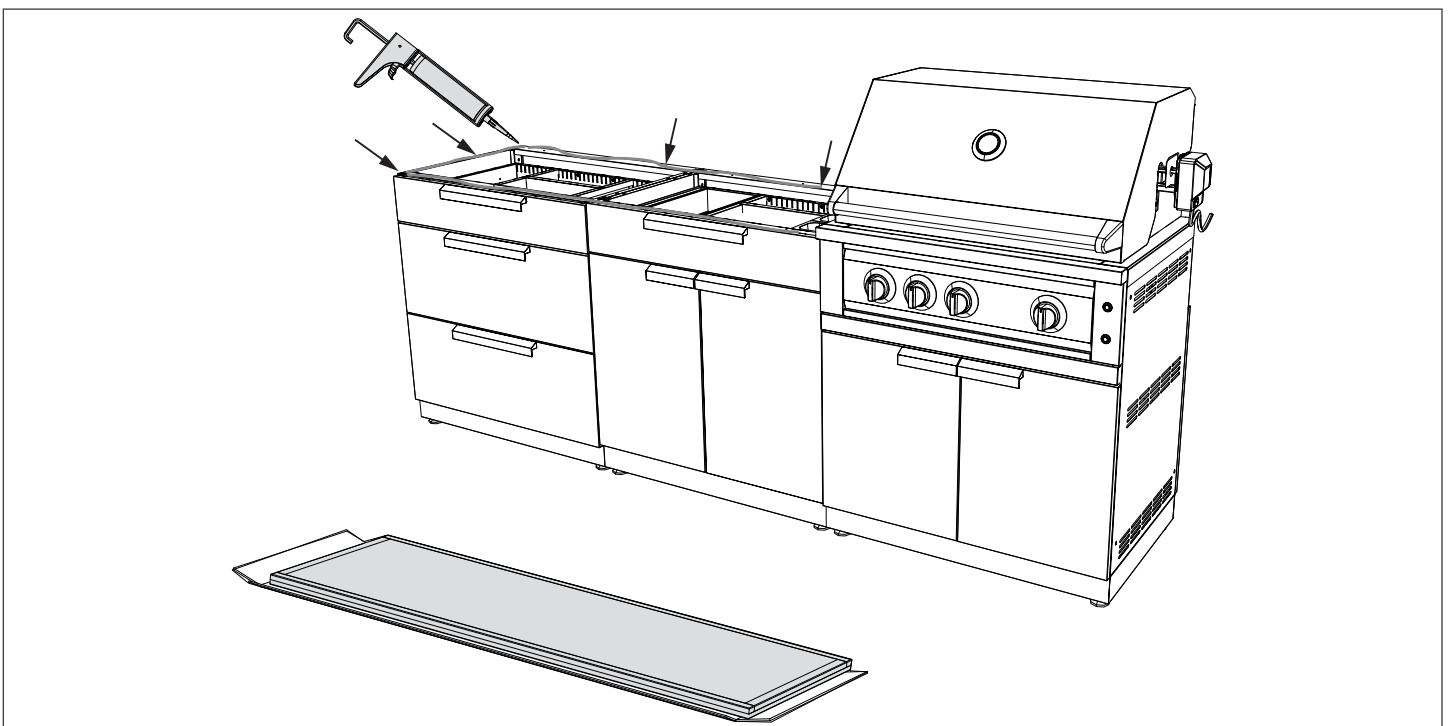


Outdoor Kitchen Countertop Installation

- 1** Fasten and level cabinets to each other.
(Refer to Outdoor Kitchen Install guide for securing and levelling cabinets)

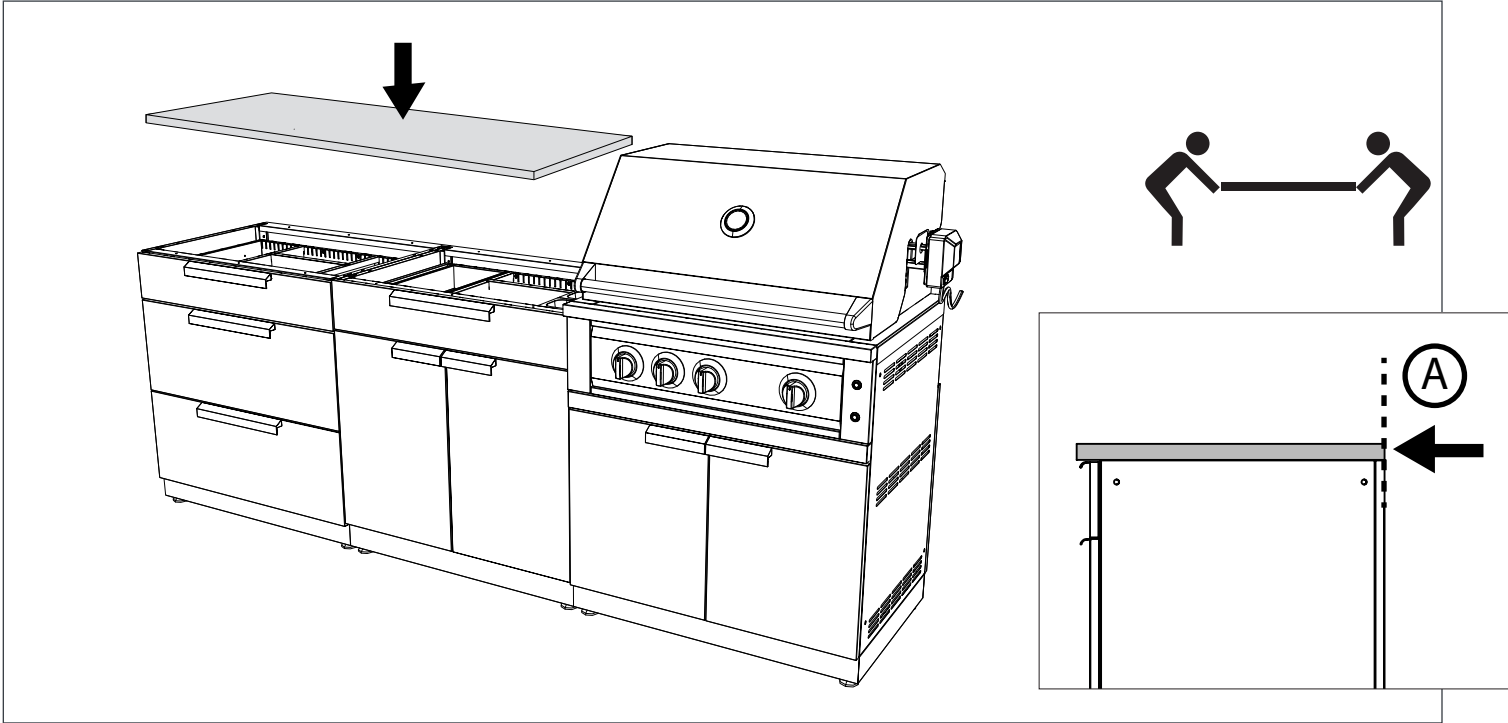


- 2** Using a caulking gun with 100% silicone (not included), apply a bead of silicone along the top frame supports of the cabinets.

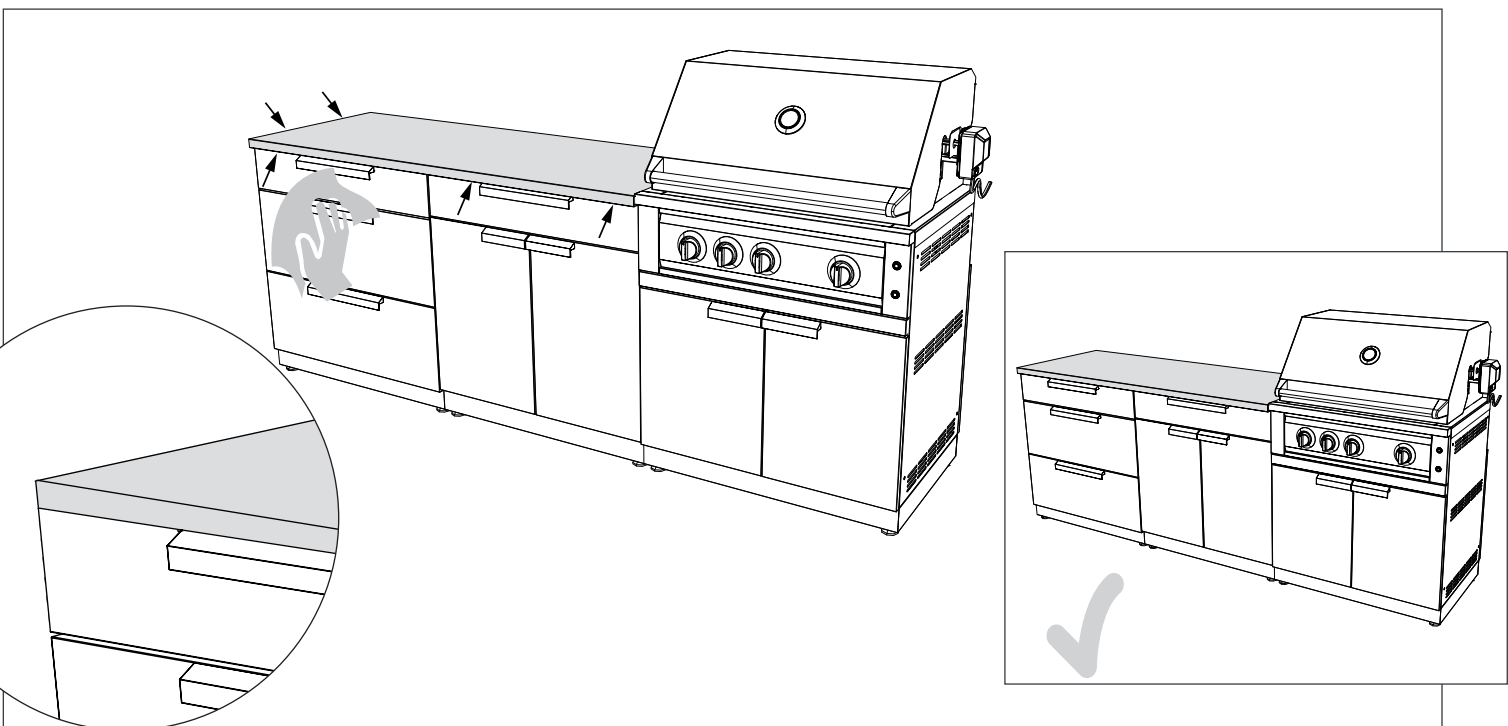


Outdoor Kitchen Countertop Installation

- 3** Using two persons, lift countertop and place on top of cabinets. Align the back edge of the granite top with the back edge of the cabinets, see Diagram A.



- 4** Make sure the counter top is centered by aligning the countertop edges with the sides of the cabinets. Using a wet cloth, wipe away any excess silicone along joint between countertop and cabinet. Follow the silicone manufacturers instructions for dry time.



Use, Care and Maintenance

The consumer is responsible for proper use and maintenance of the granite countertop, please see following points that should be followed.

Usage :

DO :

- Use coasters for cups, glasses and bottles, especially alcohol or acidic beverages, as these have potential to stain granite stone.
- Use a hot pad for hot dishes, drinks and pots and pans. Hot pots and pans can stain/burn granite.

Do Not :

- Directly use the granite as a cutting surface, use a cutting board for chopping.
- Don't turn your countertop into a worktable or worktop, heavy objects dropped on the top can easily crack or damage the granite, and sharp objects may scratch the surface.

Maintenance :

DO :

- Use a mild solution of warm water and soap to remove dirt and grime.
- Use a soft cloth when cleaning surface.

Do Not :

- Do not use a brush or scouring pad or any other similar implement with rough surfaces.
- Don't use vinegar, bleach, ammonia, other general purpose cleaners, bathroom cleaners or tub and tile cleaners.
- Don't use abrasive cleaners such as dry cleansers or soft cleansers.
- Don't use alkaline cleaners not specifically formulated for stone.
- Don't use lemon juice, oils or acidic substances to clean the granite.
- Don't spill acidic substances like tomato sauce, coffee, or wine, on your countertop. Clean up spills immediately to minimize permanent damage to the granite.

Manufacturer One Year Limited Warranty

When the granite countertop is installed, used and maintained according to the Use, Care and Maintenance of Granite Countertop section in the instructions attached to or furnished with the countertop, NewAge Products Inc. will replace the defective granite as a result of defective materials or workmanship for a period of One Year from the purchase date of the granite top.

NEWAGE PRODUCTS INC. WILL NOT PAY FOR:

- Service calls to correct the installation of any NewAge products or to instruct you how to use or install them.
- Damage resulting from products caused by accident, misuse, abuse, fire, flood, improper installation, acts of God, neglect, modification or mishandling.
- Repairs or replacement when your product is used in other than normal, residential use, such as a commercial environment, or handled in anyway inconsistent with the installation instructions included with the product.
- Surfaces damaged due to improper use of chemicals, and detergents.
- Replacement parts for NewAge products outside Canada and the United States.
- Loss due to theft, fire, flood, accident or acts of God.
- Shipping or freight fees to deliver replacement products or to return defective products.
- Any labor costs during the one year limited warranty period.

DISCLAIMER OF IMPLIED WARRANTIES; LIMITATION OF REMEDIES



IMPLIED WARRANTIES, INCLUDING TO THE EXTENT APPLICABLE WARRANTIES OF MERCHANTABILITY OR FITNESS FOR A PARTICULAR PURPOSE, ARE EXCLUDED TO THE EXTENT LEGALLY PERMISSIBLE. ANY IMPLIED WARRANTIES THAT MAY BE IMPOSED BY LAW ARE LIMITED TO ONE YEAR, OR THE SHORTEST PERIOD ALLOWED BY LAW.

Thank you for purchasing a NewAge Product!

Please give us a call or visit online if you have any questions.
Call 1.877.306.8930; e-mail at info@newageproducts.com