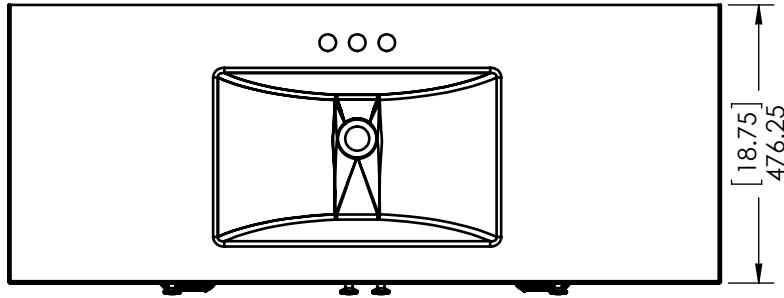
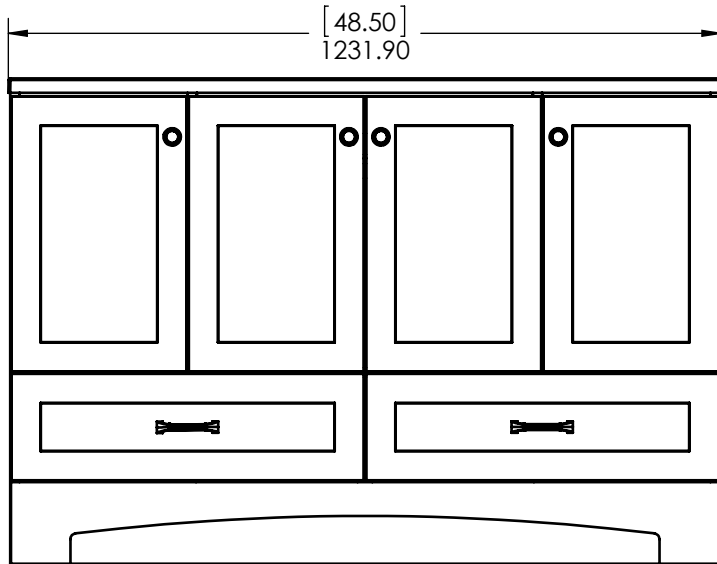
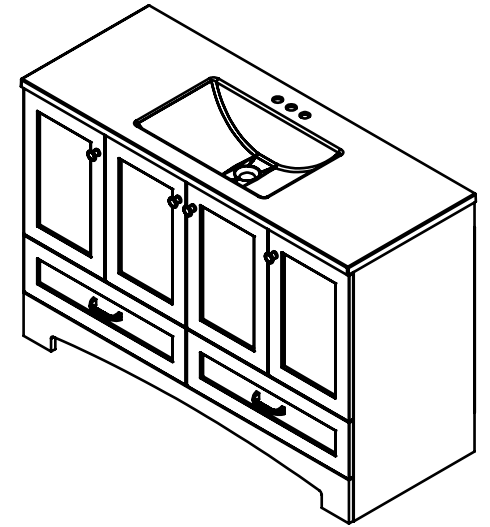


ITEM ID	DESCRIPTION
LC48P2	48in Lancaster 2Pc

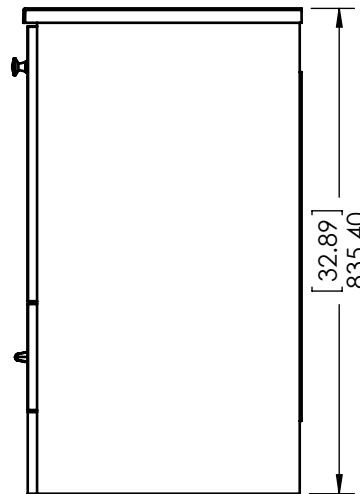
REV	ECO#	DESCRIPTION	REV'D BY DATE	CHK'D BY DATE	APRV'D BY DATE
0					



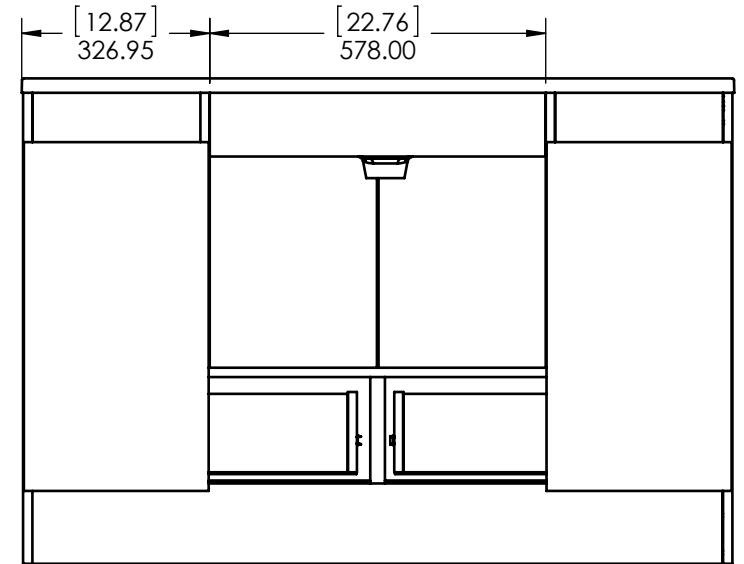
Top View / Vista Superior



Front View / Vista Frontal



Side View / Vista Lateral



Back View / Vista Trasera



PROPRIETARY AND CONFIDENTIAL
 THE INFORMATION CONTAINED IN THIS DRAWING IS THE SOLE PROPERTY OF WOODCRAFTERS HOME PRODUCTS L.L.C. ANY REPRODUCTION IN PART OR AS A WHOLE WITHOUT THE WRITTEN PERMISSION OF WOODCRAFTERS HOME PRODUCTS L.L.C. IS PROHIBITED.

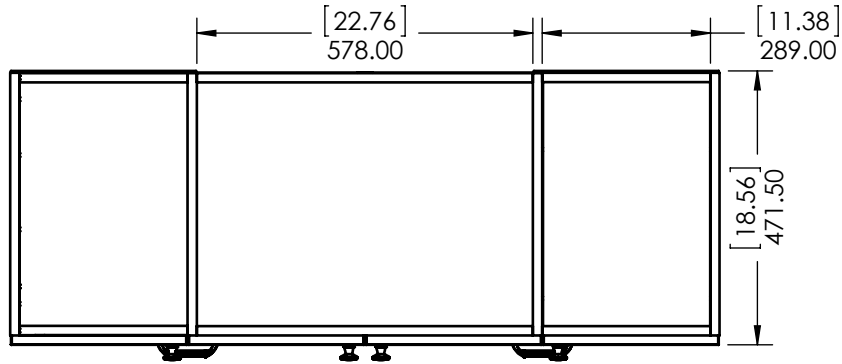
UNLESS OTHERWISE SPECIFIED
 DIMENSIONS ARE IN mm and [inches] AND TOLERANCES ARE +/- 1.0 [0.04]

DRAWN BY:	
CHECKED BY:	
APPROVED BY:	
DO NOT SCALE DRAWING	SCALE:1:20

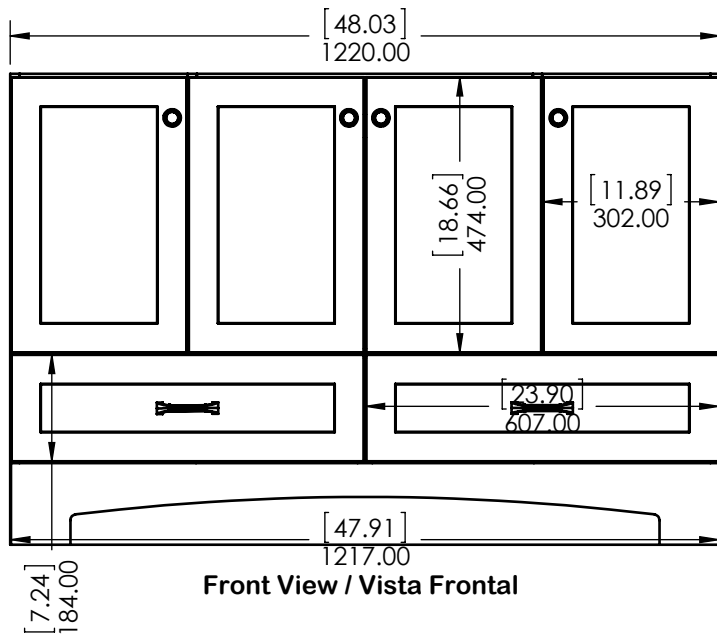
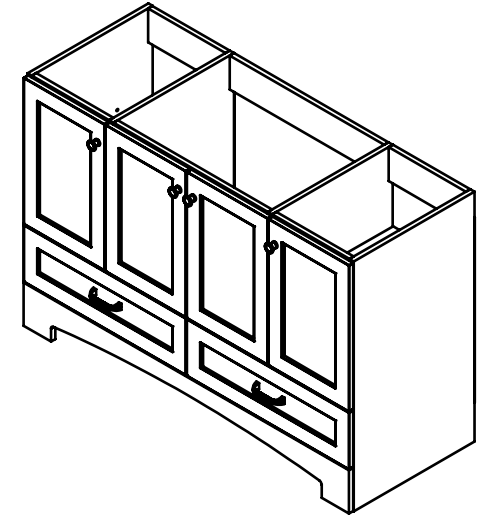
TITLE:	LC48P2
PART NO:	
PAGE	1 OF 2
REV:	0

ITEM ID	DESCRIPTION
LC48P2	48in Lancaster 2Pc

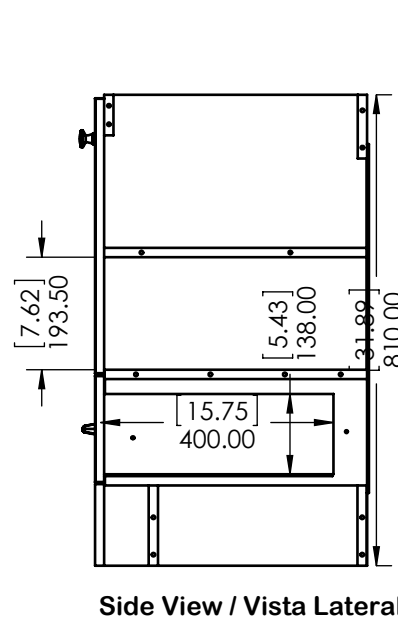
REV	ECO#	DESCRIPTION	REV'D BY DATE	CHK'D BY DATE	APRV'D BY DATE
0					



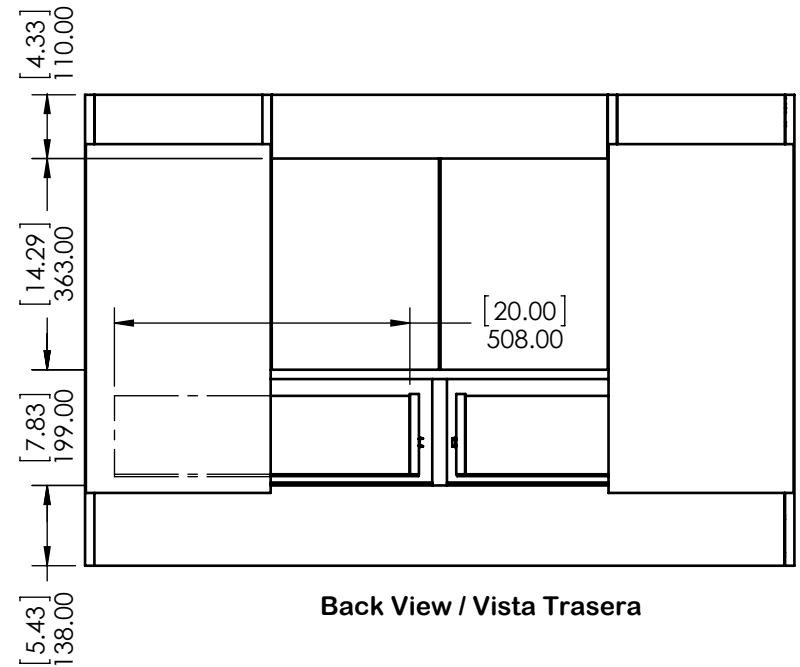
Top View / Vista Superior



Front View / Vista Frontal



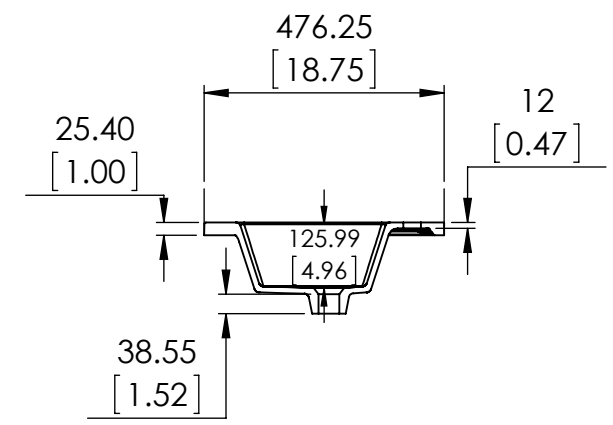
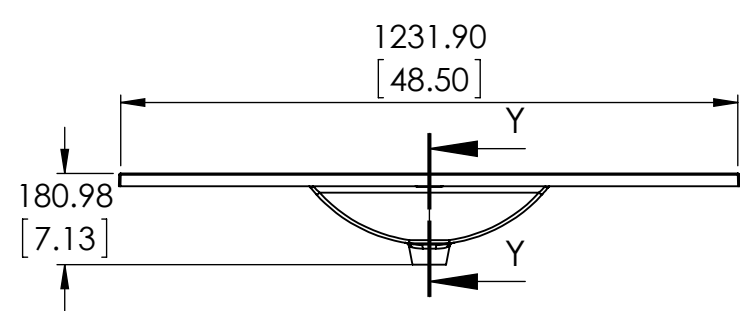
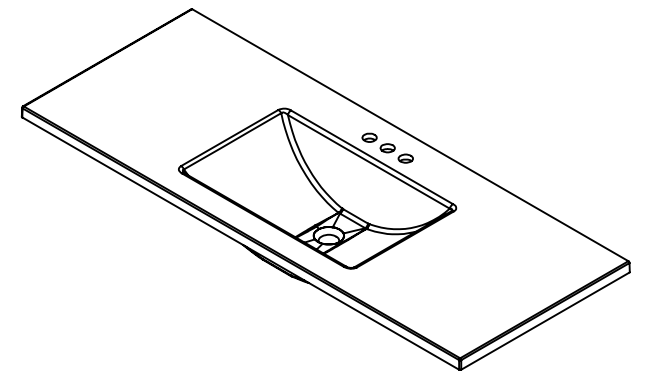
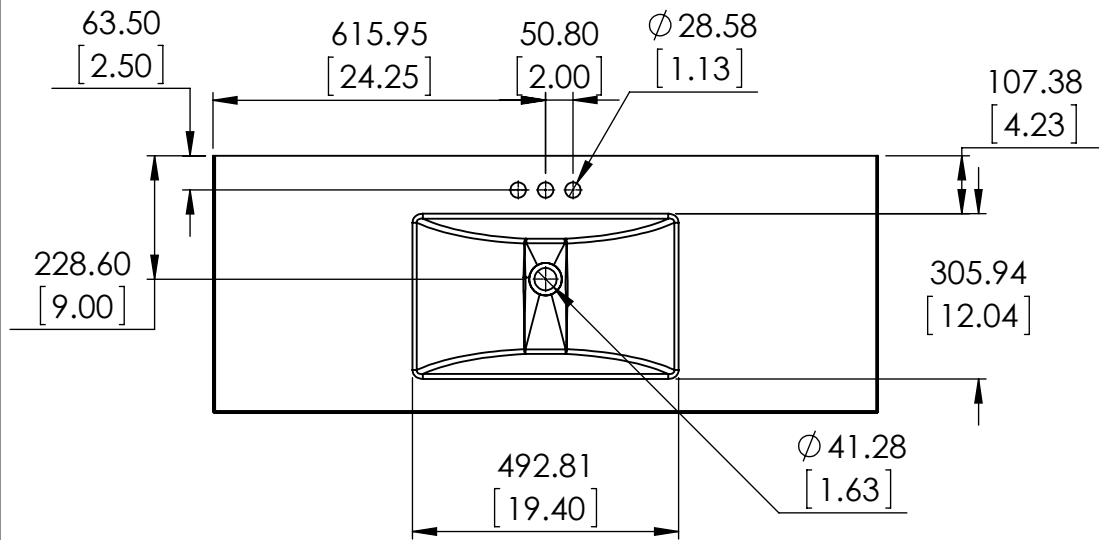
Side View / Vista Lateral



Back View / Vista Trasera

ITEM TYPE	ITEM ID	ITEM DESCRIPTION	DRAWING STATUS
FG	595799	Top, Alpine 48.50x18.75in White 4in	R&D

REV	DESCRIPTION	DATE	APPROVAL
0	RELEASED	05/09/23	E. SANDOVAL



PROPRIETARY AND CONFIDENTIAL
 THE INFORMATION CONTAINED IN THIS DRAWING IS THE SOLE PROPERTY OF WOODCRAFTERS. ANY REPRODUCTION IN PART OR AS A WHOLE WITHOUT THE WRITTEN PERMISSION OF WOODCRAFTERS IS PROHIBITED.

UNLESS OTHERWISE SPECIFIED
 DIMENSIONS ARE IN MM. AND [INCHES]
 TOLERANCES ARE
 + 3.175 [0.125] - 3.175 [0.125]
 SCALE: 1:10

	NAME	DATE
DRAWN	G. REYES	4/11/23
CHECKED	O. RAZO	4/11/23
ENG APPR.	J. GUZMAN	4/11/23
MFG APPR.	V. SANCHEZ	4/11/23

MASTER BRAND
 SIZE DWG. NO. **A** SHEET 1 OF 1
 FG