

# NOVIKVENT™ INSTALLATION GUIDE

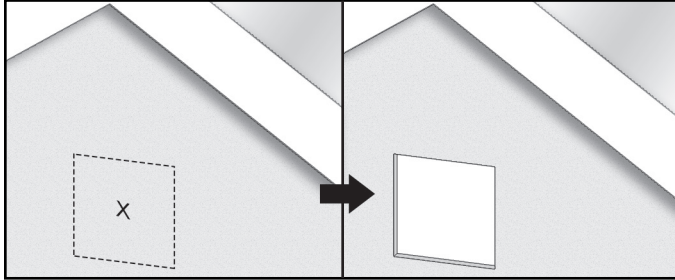
FRANÇAIS  
AU VERSO

## INSTALLATION STEPS: *Images can be different than the actual product.*

**CAUTION: VERIFY WITH LOCAL CODE OFFICIALS AND THE CURRENT BUILDING CODE IN ORDER TO IDENTIFY THE REQUIREMENTS FOR THE VARIOUS GABLE VENT TYPES BEFORE BEGINNING THE INSTALLATION.**

1-First, locate the desired position of the gable vent on wall and when it's necessary, cut the required opening. Make sure to create an opening smaller than the inner wall of the product base (Figure A).

Figure A




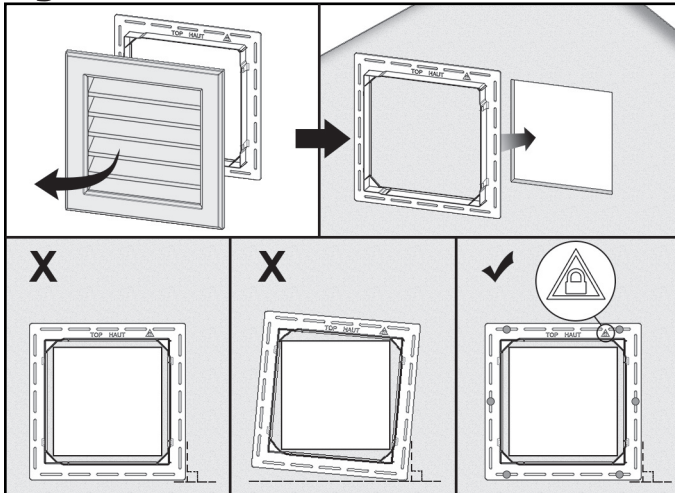
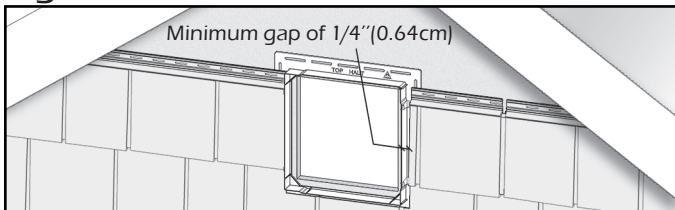
2-Remove the front cover of the two piece block by pulling out to unclip it and place the base over the opening. Make sure the base is level and square, and the symbol  that indicates the "Top/Haut" is in the upward position as per the model below. Attach the base on wall with a minimum of 6 fasteners. Always use non-corrosive nails or screws that have a head of 0.4"(1cm) in diameter and a body of 0.150"(0.38cm) in diameter and penetrate a minimum of 1 1/4"(3.18cm) into a solid surface (Figure B). To ensure maximum watertight installation, apply sealant between the wall and the base as needed.

Figure B



3-Install the siding as per manufacturer's instructions. Make sure to leave a 1/4"(0.64cm) gap between the siding and the base for the siding expansion/contraction movement (Figure C).

Figure C



4-Attach the front cover onto the base, lining up the symbols on the two components. In the case of round or octagonal gable vents, use the guidelines to ensure correct alignment (Figure D). For the half-round gable vent, insert the bottom of the front part into the base and close the top over base (Figure E).

Figure D

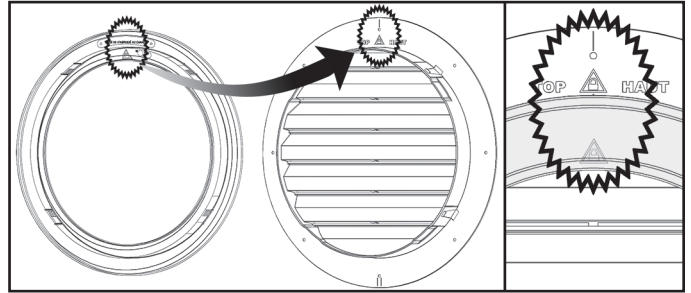
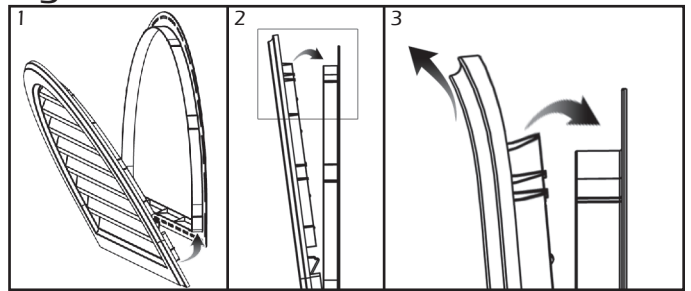


Figure E



5-Attach front cover onto the base ensuring the symbols on the two components (Figure D) line up. Pressure fit the front base to the desired depth setting for siding thickness being used. Three positions are available: 1 1/4"(3.18cm), 1"(2.54cm) and 3/4"(1.91cm). (Figure F)

Figure F

