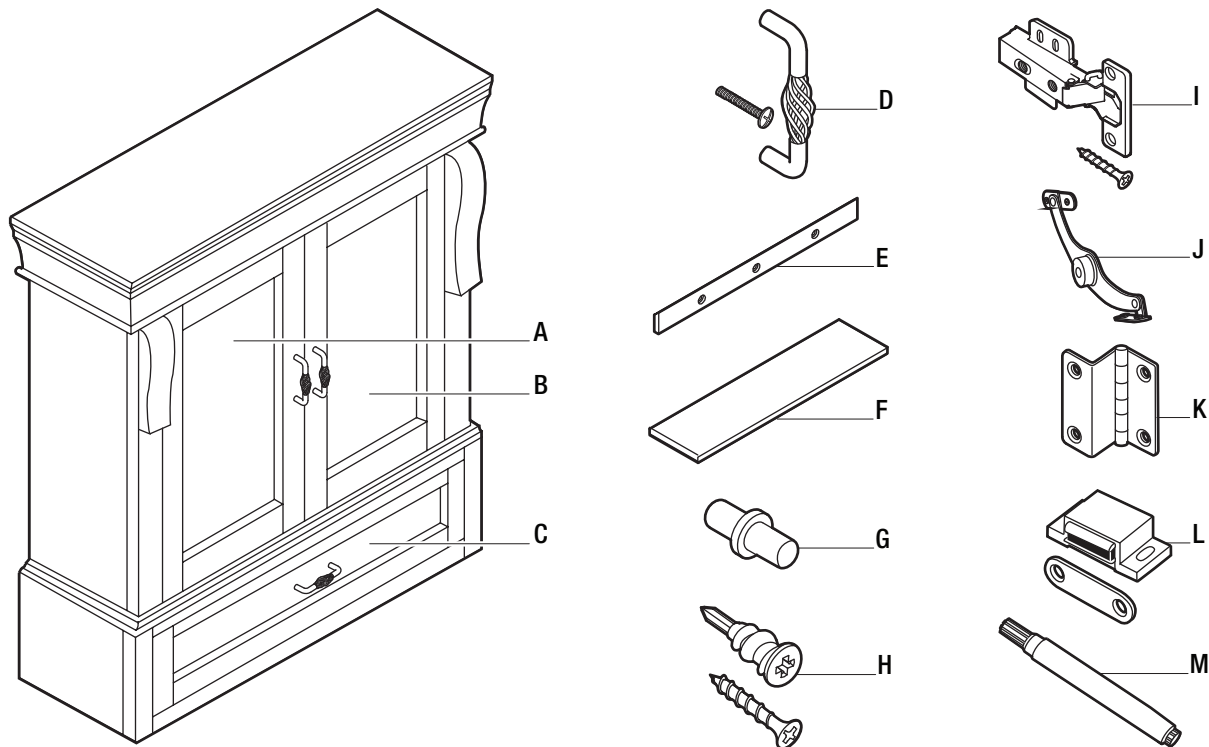


## REPLACEMENT PARTS LIST

### NAPLES WALL CABINET



Please use the table below to identify the part number needed, and call FGI Industries, Ltd. Customer Service for your replacement at **888-620-3667**. Our team is available to assist you Monday - Friday, 7:00 A.M. - 5:00 P.M. (CST).

Part	Description	Part #
A	Left Door	PB-NADGO2633-LD
B	Right Door	PB-NADGO2633-RD
C	Pull-Down Door	PB-NADGO2633-PD
D	Door Handle (1 handle; 2 screws)	PB-HANDLE-LS015
E	Hanging Rail (1 rail; 3 screws)	PB-NACO2633-H RAIL
F	Shelf	PB-NADGO-2633-IS
G	Shelf Pin	PB-SHELFPIN-CT001
H	Drywall Anchor	PB-WALL ANCHOR-BH004
I	Slow Close Hinge	PB-SC HINGE-HY006
J	Pull-Down Door Hinge	PB-HINGE-HY018
K	Swing Door Hinge	PB-HY017-HINGE
L	Magnet Closure (1 magnet; 1 plate; 4 screws)	PB-MAGNETLATCH-CP001
M	Touch-Up Pen	PB-TUKIT027