



Electric Lawn Mower

Model No. MJ403E

Form No. SJ-MJ403E-880E

A Division of Snow Joe, LLC

OPERATOR'S MANUAL

IMPORTANT! Safety Instructions

All Operators Must Read These Instructions Before Use

Always follow these safety guidelines. Failure to do so may result in serious bodily injury or death.

General Safety WARNINGS!

When using electric lawn mowers, basic safety precautions should always be followed to reduce the risk of fire, electric shock, and personal injury, including the following:

⚠ WARNING: Risk of injury could occur if the lawn mower is operated without the catcher assembly attached.

⚠ WARNING: The use of any other accessory or attachment might increase the risk of injury.

⚠ WARNING: To reduce the risk of injury, inspect catcher assembly frequently and replace with recommended replacement if there are signs of wear or deterioration.

Before using the mower, take the time to familiarize yourself with the controls, especially how to stop the mower in an emergency. Only allow individuals who have a thorough understanding of these instructions and operation of the mower to use the mower. Never allow children to operate the mower.

Retain this manual for future reference and reread it at the start of each mowing season.

FOR DOUBLE-INSULATED LAWN MOWERS

1. Only use identical replacement parts when servicing the mower.
2. Polarized Appliance Connections reduce the risk of electric shock. This mower has a polarized plug (one blade is wider than the other) and will require the use of a polarized extension cord. There is only one way the mower's plug will fit into a polarized extension. If the plug does not fit fully into the extension cord, reverse the plug. If the plug still does not fit, obtain a correct polarized extension cord. A polarized extension cord will require the use of a polarized wall outlet. There is only one way the plug will fit into a polarized wall outlet. If the plug does not fit fully into the wall outlet, reverse the plug. If the plug still does not fit, contact a qualified electrician to install the proper wall outlet. Do not change the equipment plug, extension cord receptacle, or extension cord plug in anyway.

⚠ Contact with moving parts may cause entanglement,

dismemberment, or other serious bodily injury. Always keep body parts (i.e.: hands, feet) at a distance from moving parts. Ensure all covers and guards are securely in place before use.

Hot surfaces (i.e.: the motor) may ignite flammable or combustible items and cause a fire or explosion resulting in serious injury. Keep the mower at a distance from flammable or combustible items until surfaces that are hot have completely cooled. Do not store mower near flammable or combustible items.

A damaged blade or worn blade nut may break off the mower assembly and cause serious injury. Replace the damaged blade or blade nut before using the mower.

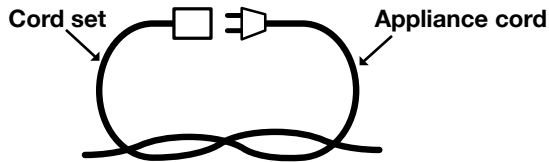
FOR ALL LAWN MOWERS

1. Avoid dangerous conditions. Do not use the mower in the rain or when the grass is damp or wet.
2. Always keep children and spectators at a safe distance from the mower during operation and as the machine cools down.
3. Always wear personal safety gear (i.e.: glasses, rubber gloves, protective footwear and dust mask) and proper clothing when using the mower. Loose clothing, long hair or jewelry may get caught in the moving parts.
4. Do not use lawn mower for any purpose except that for which it is intended.
5. Ground fault circuit interrupter (GFCI) protection should be provided on the circuit(s) or outlet(s) to be used for the lawn mower. Receptacles are available having built-in GFCI protection and may be used for this measure of safety.
6. To prevent electric shock use only with an extension cord suitable for outdoor use, such as SW, SOW, STW, STOW, SJTW, or SJTOW.

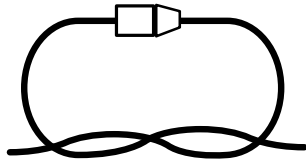
EXCEPTION: This warning does not apply to a battery operated lawn mower.

7. Ensure the extension cord set is in good condition. When using an extension cord, be sure to use one heavy enough to carry the current your product will draw. For lengths less than 100 feet, No. 14 AWG extension cord should be used. An under sized cord will cause a drop in line voltage resulting in loss of power and overheating.
8. To reduce the likelihood of disconnection of lawn mower cord set during operation:
 - i) Make a knot as shown in Figure 1, or
 - ii) Use one of the plug-receptacle retaining straps or connectors described in this manual. Know Your Lawn Mower.

Method of securing cord set



(A) Tie cord as shown



(B) Connect plug and receptacle

Figure 1

9. Do not abuse the cord. Never pull lawn mower by cord or yank it to disconnect from receptacle. Keep cord from heat, oil, and sharp edges.

EXCEPTION: This statement does not apply to a cordless battery-operated lawn mower.

10. Do not force the mower. It will do the job better and safer at the rate for which it was designed.
11. Do not over extend yourself while operating the mower. Keep proper footing and balance at all times.
12. Always be alert and watch what you are doing. Use common sense. Do not operate lawn mower when you are tired.
13. Disconnect lawn mower – from the power supply when not in use, before servicing, or when changing accessories such as blades, and the like.
14. When not in use, the lawn mower should be stored indoors in a dry, secure location. Keep out of the reach of children.
15. Maintain lawn mower with care – Keep cutting edges sharp and clean for best and safest performance.

Follow these instructions for lubricating and changing accessories.

Inspect lawn mower cord periodically and if damaged, have it repaired by an authorized service facility. Inspect extension cords periodically and replace if damaged. Keep handles dry, clean, and free from oil and grease.

16. Keep guards in place and in working order.
17. Keep blades sharp.
18. Keep hands and feet away from cutting area.
19. Objects struck by the lawn mower blade can cause severe injuries. The lawn should always be carefully examined and cleared of all objects prior to each mowing.
20. If lawn mower strikes a foreign object, follow these steps:

- i) Stop lawn mower. Release the Start/Stop switch.
- ii) Unplug power cord.
- iii) Inspect for damage.
- iv) Repair any damage before restarting and operating the lawn mower.

21. Use identical replacement blades only.

IMPORTANT! Safety Instructions for Walk-Behind Mowers

GENERAL OPERATION

1. Read, understand, and follow all instructions on the machine and in the manual(s) before starting.
2. Do not put hands or feet near or under the machine. Always stay clear of the discharge opening.
3. Only allow responsible adults, who are familiar with the instructions, to operate this machine.
4. Clear the area of objects such as rocks, wire, toys, etc., which could be thrown by the blade. Stay behind the handle when the engine (motor) is running.
5. Be sure the area is clear of bystanders before operating. Stop machine if anyone enters the area.
6. Do not operate machine barefooted or while wearing sandals. Always wear substantial footwear.
7. Do not pull machine backward unless absolutely necessary. Always look down and behind before and while moving backward.
8. Never directly discharged material toward anyone. Avoid discharging material against a wall or obstruction.
9. Do not operate machine without the entire grass catcher, discharge guard, rear guard, or other safety protective devices in place and working.
10. Never leave a running machine unattended.
11. Stop the engine (motor) and wait until the blade comes to a complete stop before cleaning the machine, removing grass catcher, or unclogging the discharge guard.
12. Operate machine only in daylight or good artificial light.
13. Do not operate machine when you are tired or under the influence of alcohol or drugs.
14. Never operate mower in wet grass. Always be sure of your footing; walk; never run.
15. Disengage the drive system, if so equipped, before starting the engine (motor).
16. If the machine should start to vibrate abnormally, stop the engine (motor) and check for the cause immediately. Vibration is generally a warning of trouble.

17. Always wear eye protection when operating machine.

SLOPE OPERATION

Slopes are a major factor related to slip and fall accidents, which can result in severe injury. Operation on all slopes requires extra caution. If you feel uneasy on a slope, do not mow it.

1. Mow across the face of slopes; never up and down. Exercise extreme caution when changing direction on slope.
2. Watch for holes, ruts, bumps, rocks, or other hidden objects. These may cause an unexpected slip or fall.
3. Do not mow on wet grass or excessively steep slopes. Poor footing could cause a slip and fall accident.
4. Do not mow near drop offs, ditches, or embankments. You could lose your footing or balance.

CHILDREN

Tragic accidents can occur if the operator is not alert to the presence of children. Children are often attracted to the machine and the mowing activity. Never assume that children will remain where you last saw them.










1. Keep children out of the mowing area and under the watchful care of a responsible adult other than the operator.
2. Be alert and turn mower off if a child enters the area.
3. Never allow children to operate the machine.
4. Use extra care when approaching blind corners, shrubs, trees, or other objects that may block your view of a child.

SERVICE

GENERAL SERVICE

1. Keep all nuts and bolts tight.
2. Never tamper with safety devices. Regularly check to ensure they are in place and working properly.
3. Keep the mower free from grass, leaves, or other debris buildup.
4. If you strike a foreign object, stop and inspect the machine. Repair, if necessary, before starting.
5. Never make any adjustments or repairs with the engine (motor) running. Always unplug electric mowers before adjusting, cleaning, or repairing.
6. Check the grass catcher components and the discharge guard frequently and replace with manufacturer's recommended parts, when necessary.
7. Mower blades are sharp. Wrap the blade or wear gloves, and use extra caution when servicing them.
8. Maintain or replace safety and instruction labels, as necessary.

SYMBOLS

SYMBOLS	DESCRIPTIONS
	CPSC Danger label
	Safety alert
	Read the operator's manual
	Severing of toes or fingers-rotary mower blade.
	Slip on slope
	Thrown objects and rotating line can cause severe injury
	Keep bystanders/children away
	Wear eye and hearing protection. For protection against injury wear ear defenders and safety goggles.
	Double insulation

Know Your Lawn Mower

Read this owner's manual and safety rules carefully before operating the mower. Compare the illustration below to the mower in order to become familiar with the location of the various controls and adjustments. Save this manual for future references.

1. Chassis
2. Adjusting lever for cutting height
3. Collection bag
4. Collection bag cover
5. Full collection window
6. Upper handle
7. Wheel
8. Lower handle knob
9. Lower handle
10. Cable clip
11. Upper handle knobs
12. Power cord
13. Combined switch/plug
14. Switch bar

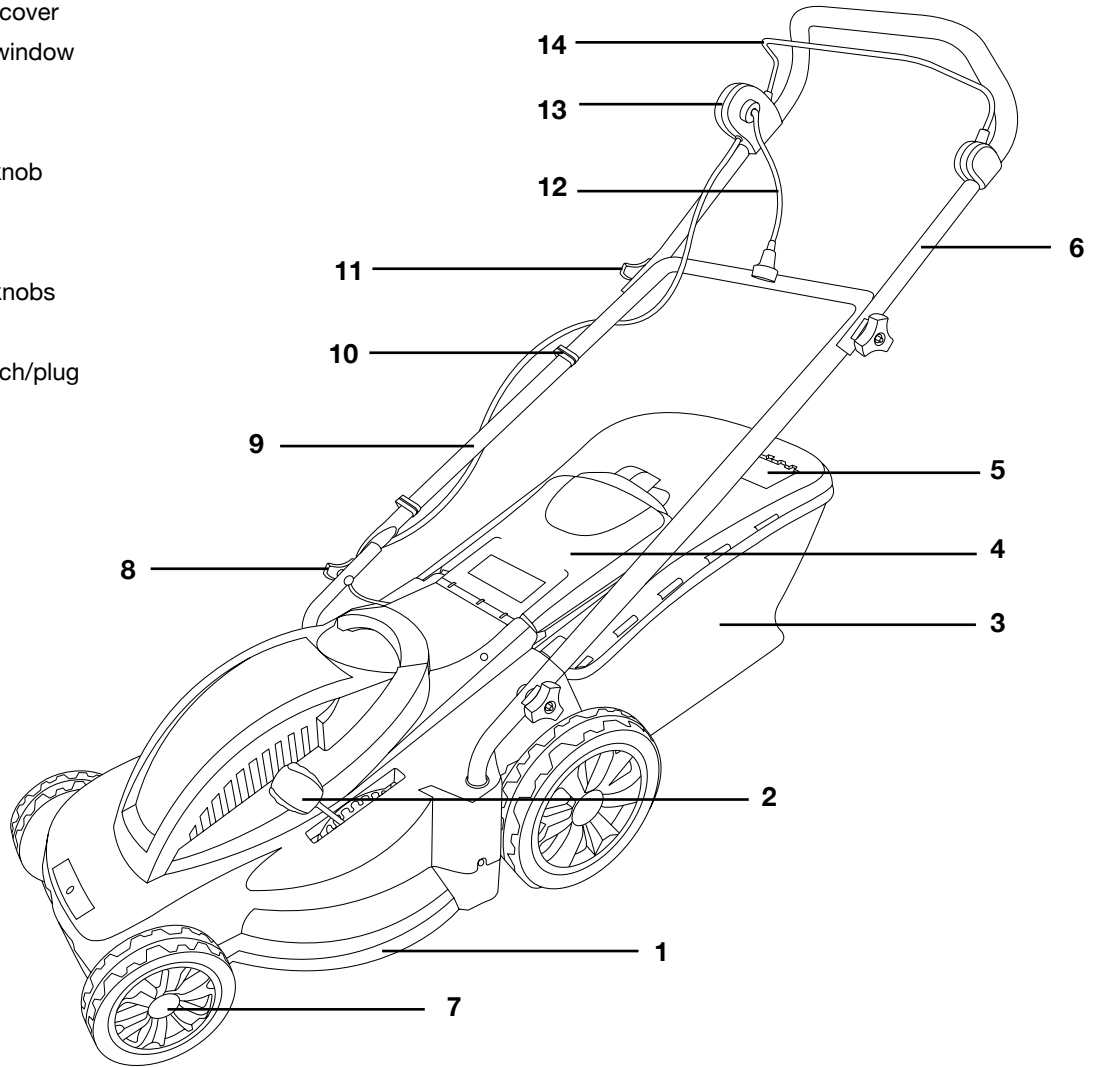


Fig. 2

Technical Data

- | | |
|---|--|
| 1. Voltage – 120V/60Hz | 5. No load Speed – 3,500 rpm |
| 2. Rated Input – 13A | 6. Weight – 33 lbs/15 kg |
| 3. Cutting Width – 17-IN (432 mm) | 7. Cutting Heights – 0.8-IN - 2.8-IN (20 mm - 71 mm) |
| 4. Grass collection capacity – 12 gallons/45 ltrs | 8. Wheels Size – 6.5-IN (front)/10-IN (rear) |

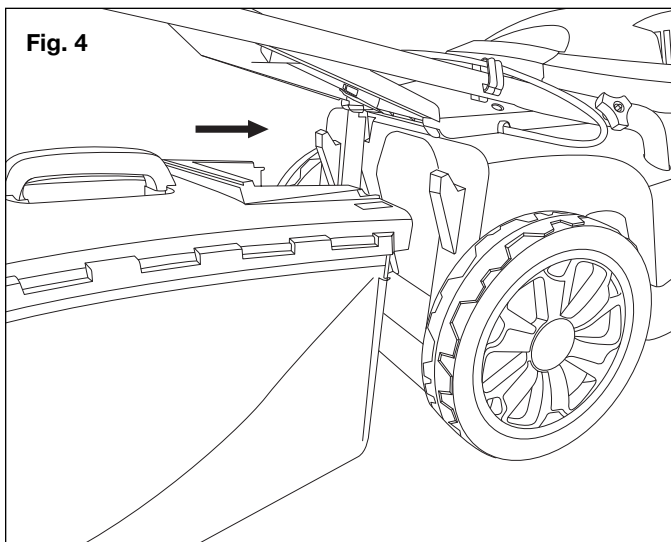
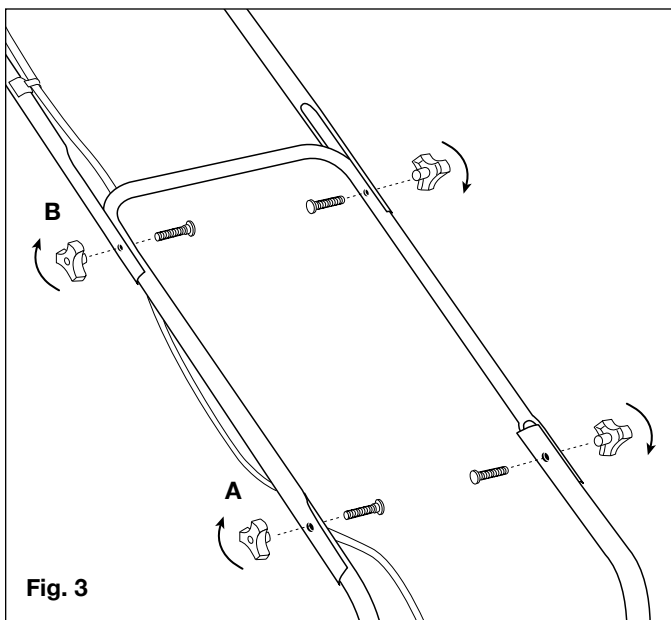
Assembly

When assembling this machine, please follow the instructions below.

Assembling

1. Fit the lower handle on the machine with 2 knobs and bolts (A), tighten securely. (Fig. 3A)
2. Connect the upper handle and lower handle with 2 knobs and bolts (B), tighten securely. (Fig. 3B)
3. Hang the collection bag as shown. (Fig. 4.)

NOTE: The packaging material is made of recycle materials. Dispose of packaging materials in accordance with regulations.



Operating

This lawn mower has been designed for cutting grass. Any other use is not permitted.

The lawn mower is suitable for private use in the garden only, lawn mowers for private use are those which are used for cutting grass and lawns in the garden, however not for cutting grass in public parks, playing fields or on farms or in forests.

Non-permitted users:

Persons who are not familiar with the operating manual, children, young people under the age of 16 as well as persons under the influence of alcohol, drugs or medication must not operate the unit.

Working hours for electric lawn mower

While it is permitted to use a lawn mower at any time, operators should always show due consideration to others living nearby.

Switching on the unit

Do not switch on the unit until it has been completely assembled. Before switching on the unit, always check the connection cable for signs of damage; only a undamaged connection cable may be used.

Note: Damaged connection cables are highly dangerous!

Power connection

1. Insert the power cord into a outdoor extension cord.
2. Secure as in (Fig. 1) or use the cord holder.

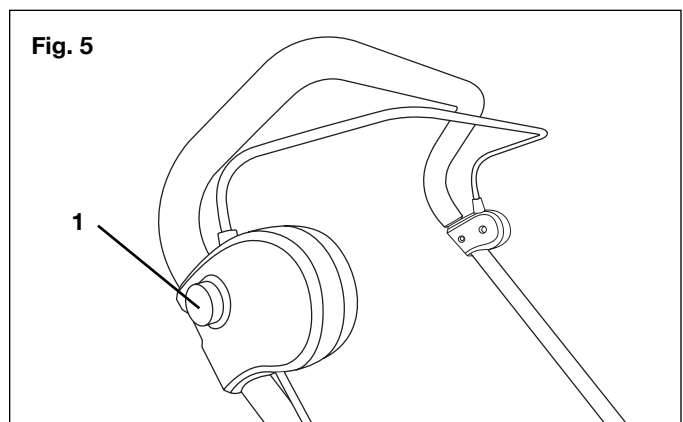
Starting/Stopping the Mower

Do not start the motor in tall grass.

Switch ON: Press the button (1) on the combined switch/plug first and keep it down until you pull the switch bar back. You can now release the button while continuing to hold the switch bar.

Switch OFF: Release the switch bar.

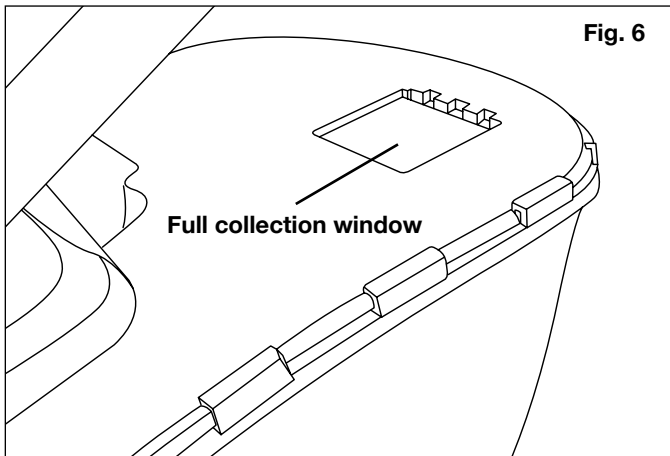
NOTE: While mowing, lay the connection cable safely on footpaths and on areas which have already been mown.



Characteristic Design

There are two functions in this machine.

1. If the collection bag is empty or is not full with grass, the full collection window will be opening. (Fig. 6)
2. If the collection basket is full with grass the full collection window will remain closed. (Fig. 6)
3. Quick folding storage.
 - a) This lawn mower handle can be folded for easy storage.
 - b) Loosen the knobs, then fold the handles. (Fig. 9)

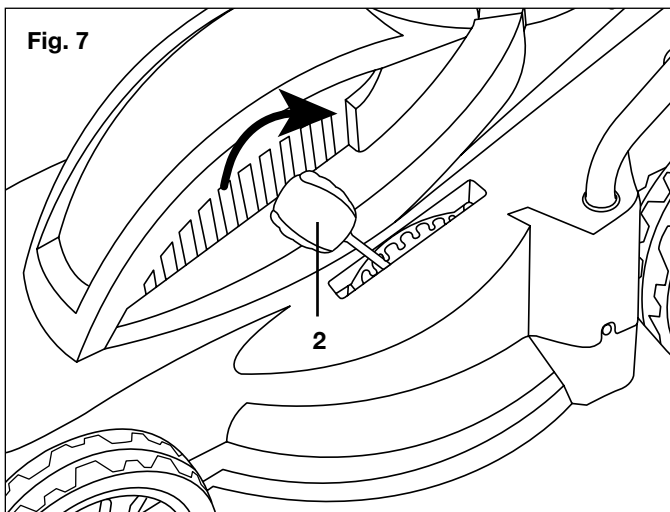


⚠ WARNING: When the motor has been switched off, the cutter continues running for several seconds therefore do not touch the underside of the mower until the cutter has come to a standstill!

Setting the Cutting Height

If you want to change the cutting height, please put the adjusting lever (2) at the desired position. (Fig. 7)

1. Push the handle to the outside of the chassis.
2. Set the handle in any slot you desire.



7-Position Height Adjustment:

- | | |
|------------|------------|
| 1. 0.8-IN | 5. 2.12-IN |
| 2. 1.13-IN | 6. 2.45-IN |
| 3. 1.46-IN | 7. 2.8-IN |
| 4. 1.79-IN | |

⚠ WARNING: Before performing any maintenance or cleaning work, Always pull out the mains plug!

Mowing Tips

NOTE: A sharp blade will greatly enhance the performance of the mower, especially when cutting high grass.

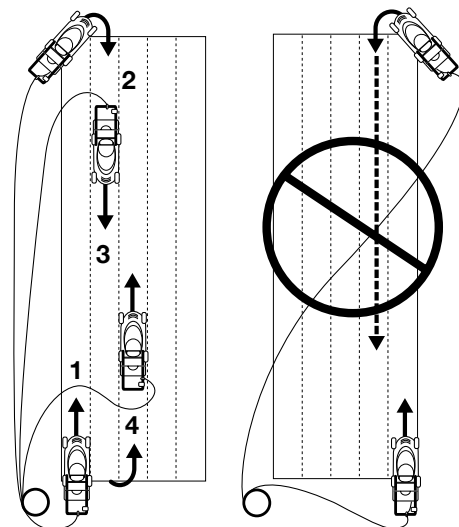
Be sure to check the blade and to sharpen it at least once per year, as described in the Maintenance section.

- Verify that the lawn is free of stone, sticks, wires and other objects that could damage the blades or the motor.

These objects could be accidentally thrown by the mower in any direction, and could cause serious personal injury to the operator and to others.

- In order to prevent electric shock, do not operate the mower in damp or wet conditions.
- Do not mow in a circle. Travel back and forth across the lawn. (Fig. 8)
- When cutting thick grass, reduce walking speed in order to allow for a more effective cut and a proper discharge of the clippings. For a healthy lawn, always cut off one-third or less of the total length of the grass. The average lawn should be approximately 1-1/2 to 2-IN. (3.8 to 5 cm) long during cool months, and more than 2-IN. (5 cm) long during hot months. If there is growth, the lawn should be cut in the fall.

Fig. 8



- While cutting, ensure that the electric cable is always behind you and on the area of grass already cut. The lawn will look better if it is always cut to the same height and in alternate directions.

Mulching Tips

NOTE: INSPECT THE AREA WHERE THE MOWER IS TO BE USED AND REMOVE ALL THE STONES, STICKS, WIRES AND OTHER DEBRIS THAT MIGHT BE THROWN BY THE ROTATING BLADE.

1. Release the switch to turn the mower off when crossing any graveled area (stones can be thrown by the blade).
2. Set mower to the highest cutting height when mowing on uneven ground or in tall weeds.
3. XX
XX
XX

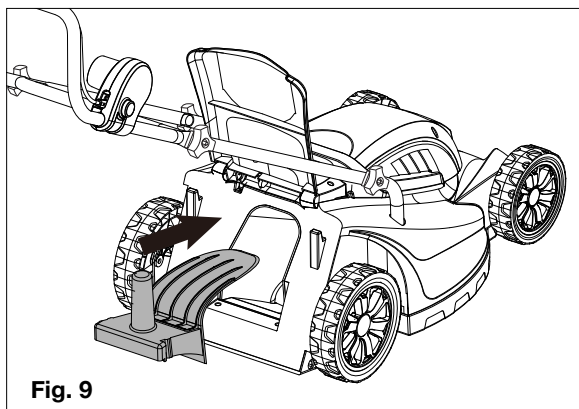


Fig. 9

4. For effective mulching, do not cut wet grass, because it tends to stick to the underside of the deck, preventing proper mulching of grass clippings. New or thick grass may require a narrower cut. The ground speed should be adjusted to the condition of the lawn. If mowing has been delayed and the grass has been allowed to grow longer than 4-IN (10 cm), mow the lawn twice in order to reduce the grass to the maximum of 3 -1/4-IN (8.3 cm).
5. Walk at a steady pace. Overlap the cutting rows. Do not let the grass get too tall. If the grass gets too long, start at the highest cutting position and work down to the desired cutting height.

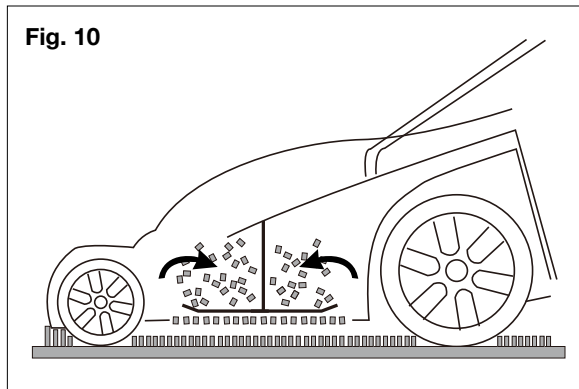


Fig. 10

⚠ WARNING: If you strike a foreign object, stop the motor and disconnect the power cord. Thoroughly inspect the mower for any damage. Repair any damage before operating the mower.

Maintenance

⚠ WARNING: Before performing any maintenance or cleaning work, Always pull out the mains plug!

1. Do not spray the unit with water. Intake of water may destroy the Switch/plug combination unit and the electric motor.
2. Clean the unit with a cloth, hand brush, etc.

Expert inspection is required:

- a) If the lawn mower strikes an object
- b) If the motor stops suddenly
- c) If the blade is bent (do not align!)
- d) If the motor shaft is bent (do not align!)
- e) If a short-circuit occurs when the cable is connected
- f) If the gears are damaged
- g) If the V-belt is defective

Replacing and Re-sharpening the Mowing Blade

At the end of the mowing season always Re-sharpen the mowing blade or, if required, replace the mowing blade with a new one. Always have the mowing blade Re-sharpened or replaced by a customer service center.

⚠ WARNING: Unbalanced blades will cause the lawn mower to vibrate violently and may cause an accident.

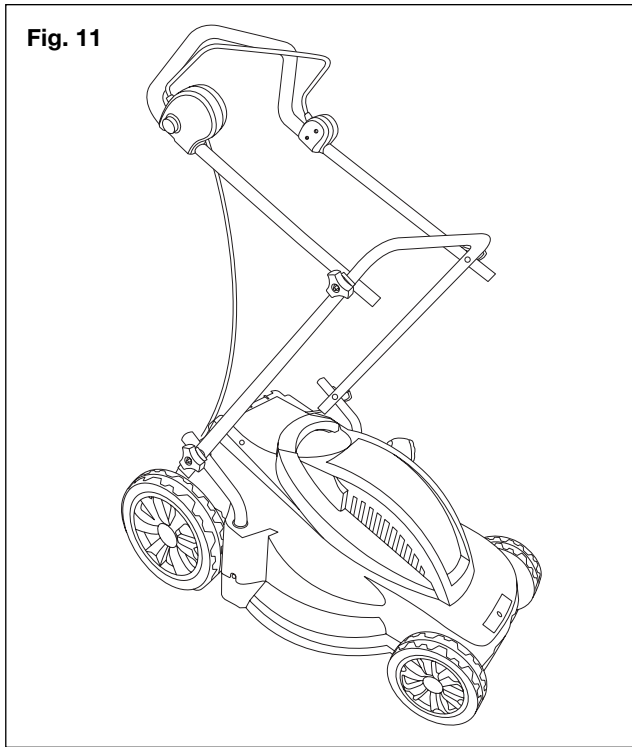
Please follow maintenance procedures or call customer service center at 1-866-766-9563.

Storage

The following steps should be taken to prepare the lawn mower for storage.

- Make certain the power is disconnected.
- Clean mower as instructed in previous section.
- Inspect and replace/sharpen blade, if required. Refer to the Maintenance section.
- Store mower in a dry, clean area. Do not store next to corrosive materials, such as fertilizer and rock salt.
- Wipe extension cord to remove any foreign substances such as oil or stains. Replace extension cord if cut or damaged in any way.
- Wind the cord in a series of equal loops to prevent it from tangling.
- Store mower indoors, in a cool, dry place, out of reach of children. Do not cover lawn mower with a solid plastic sheet. Plastic coverings trap moisture around the mower causing corrosion.

- The handle may be folded away completely for storage.
- Loosen the handle knobs on the sides of the handle, and fold the upper handle down.
- Loosen the handle knobs, pull outwards on each side of the lower handle, and lift the sides of the lower handle past the edges of the handle mounting brackets. Fold the lower handle forward. Make sure not to bend or kink the power cord. (Fig. 9)



Troubleshooting

Problem	Remedy
Motor does not run	<ul style="list-style-type: none"> • Check mains connection cable and circuit-breaker (fuse) • Start on short grass or on an area which has already been mowed and tilt back • Clean discharge channel/housing (the mowing blade must rotate freely) • Correct the cutting height
Motor power drops	<ul style="list-style-type: none"> • Correct the cutting height • Clean discharge channel/housing • Have mowing blade re-sharpened/replaced (customer service center)
Grass catcher is not filled Sufficiently	<ul style="list-style-type: none"> • Correct the cutting height • Allow the lawn to dry • Have mowing blade re-sharpened/replaced (customer service center) • Clean the grille on the grass catcher • Clean the discharge channel/housing

Faults which cannot be rectified with the aid of this table may be rectified by a company specialist only (please call customer service center at 1-866-766-9563).

Service

1. When servicing the mower, use only replacement parts that are available from the manufacturer. In order to obtain replacement parts, call the toll-free helpline. The use of parts that do not meet the original equipment specifications may lead to improper performance, and may compromise safety.
2. Before cleaning, repairing, or inspecting, verify that the blade and all moving parts have come to a complete stop and remove power cord.
3. Keep the handles dry, clean, and free of oil and grease.
4. In order to reduce the risk of fire, keep the motor free of grass, leaves, and debris build-up.
5. Frequently check the blade and motor mounting bolts for proper tightness. Visually inspect blade for damage (e.g.: bent, cracked, or worn).
6. For best and safest performance, maintain the mower with care. Keep the mower blade sharp and clean. Mower blades are sharp, and can cut. Wrap the blades or wear gloves, and use extra caution when servicing.
7. Keep all nuts, bolts, and screws tight in order to be sure that the equipment is in safe working condition.
8. Never tamper with safety devices. Check them regularly for proper operation.
9. After striking a foreign object, stop the motor and remove power cord. Thoroughly inspect the mower for any damage. Repair any damage before operating the mower.
10. Lawn mower components are subject to wear and damage, which could expose moving parts or allow objects to be thrown. As a safety precaution, frequently check components and replace those that show signs of wear or damage.
11. When it is not in use, store the mower indoors in a dry area, and out of the reach of children.

Support

If your Lawn Mower requires service or maintenance, please call 1-866-766-9563 for assistance.

Model and Serial Numbers

When contacting the company or reordering parts, you will need to provide the model and serial numbers of your product. These are found on the decal affixed to the housing or handle of your mower. Copy these numbers into the space provided below.

Record the following numbers from the housing or handle of your new product:

Model #: MJ4103E

Serial #: _____



A Two-Year Full Warranty for residential use in the United States and Canada



General Conditions:

Snow Joe, LLC warrants this product to the original purchaser for two years against defects in material or workmanship when used for normal residential purposes. Snow Joe, LLC will repair any defect in material or workmanship, and repair or replace any defective part, subject to the conditions, limitations, and exclusions set forth herein. Such repair or parts replacement will be free from charge to the original purchaser except noted below.

The duration of the warranty applies only if the product is put to personal use around the household or residence. If the product is put to any business use, commercial or industrial, then the duration of this warranty is 90 days from the date of original purchase. If any product is rented or leased, the duration of the warranty is 90 days from the date of original purchase.

It is the owner's responsibility to perform correctly all maintenance, and minor adjustments explained in the owner's manual.

Electric Products:

To obtain a replacement electric powered unit or repair the existing electric powered unit, you must return the complete unit and postage prepaid to: **Snow Joe Return Center, 86 Executive Avenue, Edison, NJ 08817.**

Gasoline / Battery Products:

Limitations

- Batteries are warranted only for the period of 12 months after the date of purchase on a prorated basis. Rechargeable batteries will be replaced free from charge during the first 90 days. After the initial 90 days, batteries will be replaced at prorated cost to the customer
- Idlers, cables, and electrical components are warranted to the original purchaser for use at household or residence for a period of two years

Exclusions

- Snow Joe brand engines are covered under this warranty. All other engines and engine accessories are covered only by the engine manufacturer's warranty and are not covered by this warranty
- Parts used that are not genuine Snow Joe parts are not covered by this warranty
- Damages resulting from misuse, alteration, improper assembly, improper adjustment, neglect, or accident which requires repair is not covered under this warranty
- Belts, augers, and tines are not covered under warranty – belts, augers, and tines wear out and can be purchased at www.snowjoe.com or by calling 1-866-766-9563

Snow Joe, LLC may from time to time change the design of its products. Nothing contained in this warranty shall be construed as obligating Snow Joe, LLC to incorporate such design changes into previously manufactured products, nor shall such changes be construed as an admission that previous designs were defective.

This warranty is intended to cover product defects only. Snow Joe, LLC is not liable for indirect, incidental, or consequential damages in connection with the use of the Snow Joe Products covered by this warranty. This warranty does not cover any cost or expense incurred by the purchaser in providing substitute equipment or service during reasonable periods of malfunction or non-use of this product, while waiting for completion of repairs under this warranty. Some states do not allow exclusions of incidental or consequential damages, so the above exclusions may not apply in all states. This warranty may give you specific legal rights in your state.

**If you wish to contact Snow Joe, please direct inquiries to the:
Customer Service Department
Snow Joe Center
86 Executive Avenue
Edison, NJ 08817**

Customers who have purchased Snow Joe products exported from the United States and Canada should contact their Snow Joe Distributor (Dealer) to obtain information applicable for your country, province, or state. If for any reason, you are not satisfied with the distributor's service, or if you have difficulty obtaining warranty information, contact your Snow Joe seller. If in the event your efforts are unsatisfactory, please write to the Snow Joe Center at the above address.

If you have any questions about your product warranty, please call 1-866-SNOW-JOE or visit us online at www.snowjoe.com.