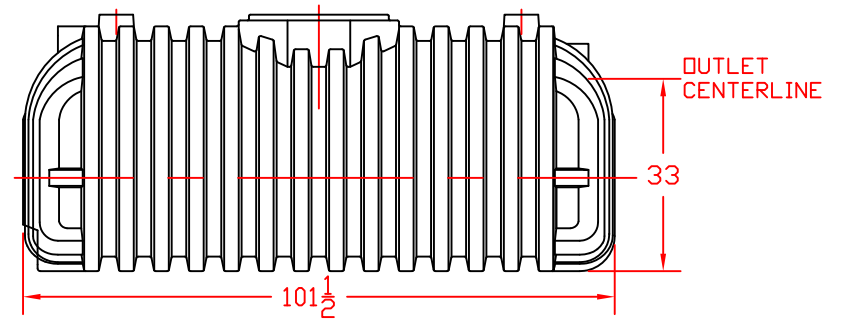
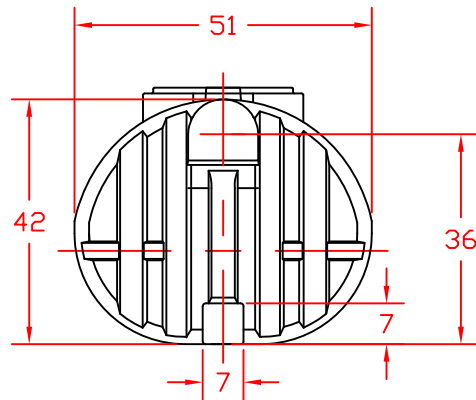
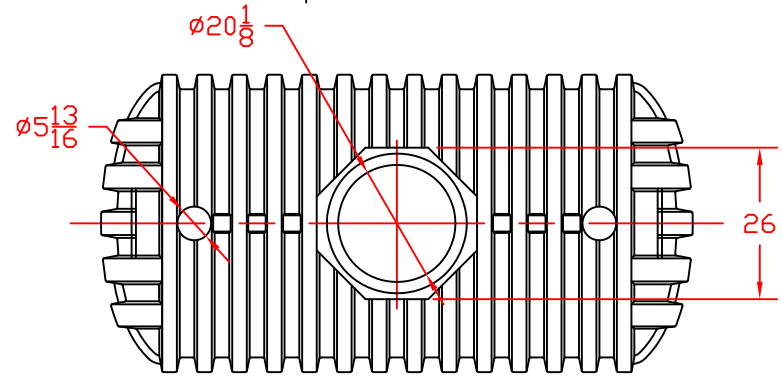



REVISIONS				
ZONE	REV	DESCRIPTION	DATE	APPROVED
	A	REMOVED INLETE/OUTLET HUBS	17AUG10	



		 ST. BONIFACIUS, MN 500 GALLON SEPTIC TANK		
		JTP 15JUL02 SIZE B	FSCM NO.	DWG NO.
		SCALE 1/24	SHEET	