

SPECIFICATIONS

GATES

- Maximum Gate Length = 20' per leaf
- Minimum Gate Length = 5'
- Maximum Gate Weight = 1000 lbs.
- Maximum Gate Opening = 24'

KIT CONTENTS

- One (1) Gate Operator Arm with 6' cable and One (1) with 30' cable for a 24' opening.
- System Control Box with Controller
- Mounting brackets and fasteners
- Battery Box Kit with One (1) Battery
- Two (2) AXP1 Premium 5-Button Remote Controls
- Gate Warning Placards (2)
- Installation Manual
- AC Transformer

MECHANICAL

- Opening speed: 90 degrees in approx. 15 seconds
- Opening maximum range is 110 degrees
- Pin-to-pin when arm is fully retracted 37.25" mounting point to mounting point
- Arm maximum stroke distance: 23"
- Safety alarms for operation and diagnostics
- Control board programmable for pull-to-open and push-to-open applications
- SafeForce® obstruction sensing technology
- Soft start/stop
- Auto close adjustable from 6 seconds to 1 hour

POWER

- 12 VDC 7.0 amp hour, sealed, rechargeable battery (included). We recommend two 12VDC 7.0 amp hour batteries for solar applications, not included.
- Battery is recharged by a plug in 120VAC to 18VAC AC Transformer (included).
- 10 W or 30W Solar Panel(s) (optional) and Compatible.
- System current: 3-4 amps per leaf typical when active. Standby is 25 mA with no accessories.

OPERATING TEMPERATURE

-5°F to 160°F

DIMENSIONS

Shipping Weight = 52.75 lbs.
Package Size = 39.5" x 6.5" x 4"

REGULATORY COMPLIANCE

Meets or exceeds UL325 7th Edition 2018 Standards

WARRANTY

18 Months on control and battery box and hardware. 12 months on battery. **Lifetime Warranty on motor and gear assembly.**

ARCHITECTURAL SERIES: DEP2

The Ghost Controls® dual swing gate operator is optimized for installation on decorative dual gate applications up to a 24 ft. wide opening and weighing up to 1000 lbs. when proper installation has been followed. The gate operator mounting brackets and hardware included in the kit are specifically designed for decorative and agricultural gate types.



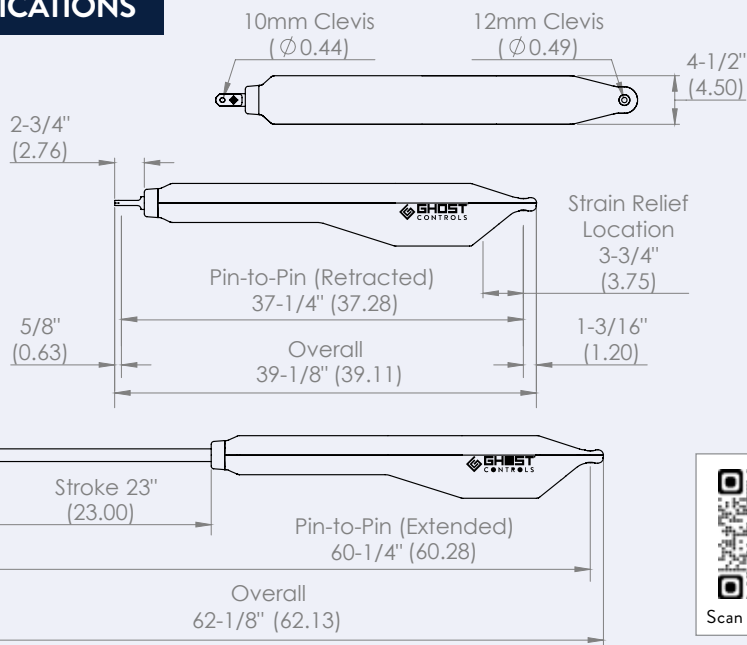
Max	5'	6'	8'	10'	12'	14'	16'	18'	20'
1000 lbs.	DEP2	DEP2							
900 lbs.			DEP2						
800 lbs.				DEP2					
700 lbs.					DEP2				
600 lbs.						DEP2			
500 lbs.							DEP2		
400 lbs.								DEP2	
350 lbs.									DEP2
325 lbs.									
300 lbs.	↓	↓	↓	↓	↓	↓	↓	↓	↓

Maximum Gate Length and Weight

COMPATIBLE ACCESSORIES

- AXDP 10W or AX30W Solar Panel
- AXS1, AXP1, AXR1 Remote Controls
- AXWK Premium Wireless Keypad
- AXGN Outdoor Mounting Pedestal
- AXZL ZombieLock®
- AXPO Push-To-Open Bracket Kit
- AXPB Push Button
- AXXV Wired Vehicle Sensor
- AXWV Wireless Vehicle Sensor

SPECIFICATIONS



Rev. 0521 ARCHCUT

SPECIFICATIONS

GATES

- Maximum Gate Length = 20'
- Minimum Gate Length = 5'
- Maximum Gate Weight = 1000 lbs.

KIT CONTENTS

- One (1) Gate Operator Arm with 6' cable
- System Control Box with Controller
- Mounting brackets and fasteners
- Battery Box Kit with One (1) Battery
- One (1) AXP1 Premium 5-Button Remote Control
- Gate Warning Placards (2)
- Installation Manual
- AC Transformer

MECHANICAL

- Opening speed: 90 degrees in approx. 15 seconds
- Opening maximum range is 110 degrees
- Pin-to-pin when arm is fully retracted 37.25" mounting point to mounting point
- Arm maximum stroke distance: 23"
- Safety alarms for operation and diagnostics
- Control board programmable for pull-to-open and push-to-open applications
- SafeForce® obstruction sensing technology
- Soft start/stop
- Auto close adjustable from 6 seconds to 1 hour

POWER

- 12 VDC 7.0 amp hour, sealed, rechargeable battery (included). We recommend two 12VDC 7.0 amp hour batteries for solar applications, not included.
- Battery is recharged by a plug in 120VAC to 18VAC AC Transformer (included)
- 10 W or 30W Solar Panel(s) (optional) and compatible.
- System current: 3-4 amps per leaf typical when active. Standby is 25 mA with no accessories.

OPERATING TEMPERATURE

-5°F to 160°F

DIMENSIONS

Shipping Weight = 33 lbs.
Package Size = 41" x 8.5" x 10.5"

REGULATORY COMPLIANCE

Meets or exceeds UL325 7th Edition 2018 Standards

WARRANTY

18 Months on control and battery box and hardware. 12 months on battery. **Lifetime Warranty on motor and gear assembly.**

ARCHITECTURAL SERIES: DTP1

The Ghost Controls® single swing gate operator is optimized for installation on decorative dual gate applications up to 20 ft. long and weighing 1000 lbs. when proper installation has been followed. The gate operator mounting brackets and hardware included in the kit are specifically designed for decorative and agricultural gate types.



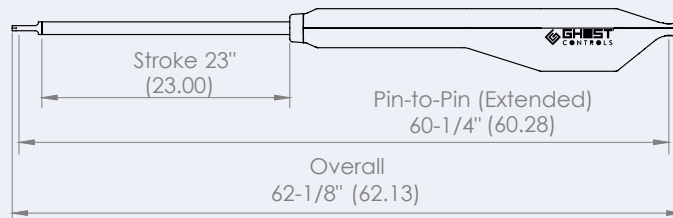
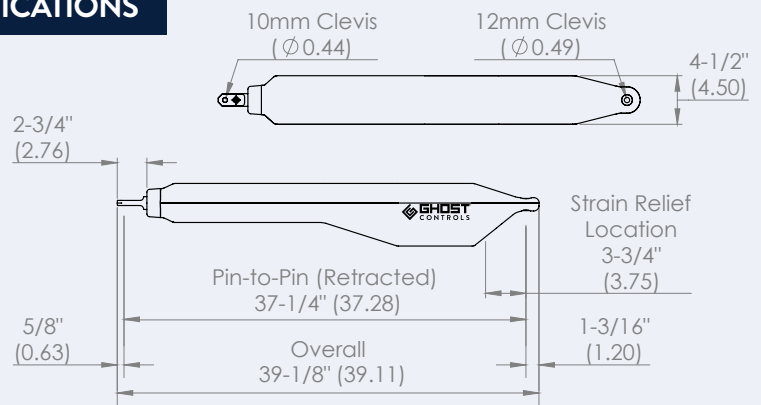
Max	5'	6'	8'	10'	12'	14'	16'	18'	20'
1000 lbs.	DTP1	DTP1							
900 lbs.			DTP1						
800 lbs.				DTP1					
700 lbs.					DTP1				
600 lbs.						DTP1			
500 lbs.							DTP1		
400 lbs.								DTP1	
350 lbs.									DTP1
325 lbs.									
300 lbs.	↓	↓	↓	↓	↓	↓	↓	↓	↓

Maximum Gate Length and Weight

COMPATIBLE ACCESSORIES

- AXDP 10W or AX30W Solar Panel
- AXS1, AXP1, AXR1 Remote Controls
- AXWK Premium Wireless Keypad
- AXGN Outdoor Mounting Pedestal
- AXZL ZombieLock®
- AXPO Push-To-Open Bracket Kit
- AXPB Push Button
- AXXV Wired Vehicle Sensor
- AXWV Wireless Vehicle Sensor

SPECIFICATIONS



Scan for Build a Kit

Rev. 0521 ARCHCUT