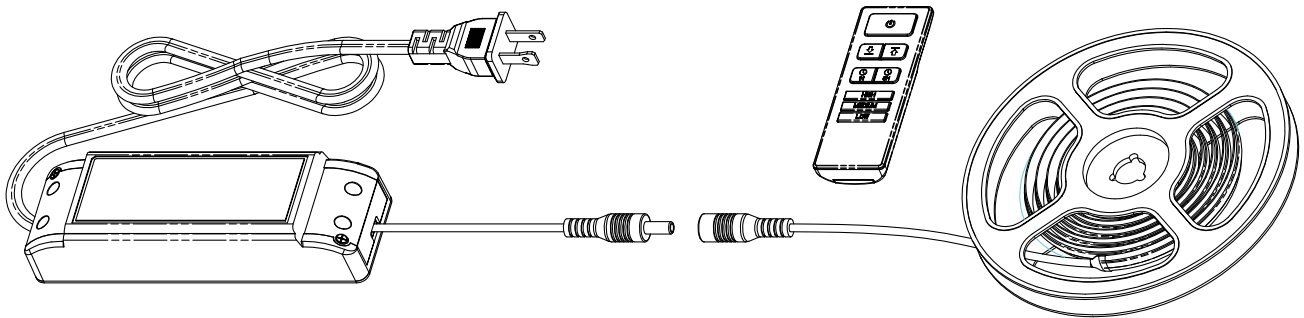


USE AND CARE GUIDE

16FT LED SEAMLESS TAPE LIGHT WITH REMOTE



Questions, problems, missing parts? Before returning to the store,
call Commercial Electric Customer Service
8 a.m. - 7 p.m., EST, Monday - Friday,
9 a.m. - 6 p.m., EST, Saturday

1-877-527-0313
HOMEDEPOT.COM

THANK YOU

We appreciate the trust and confidence you have placed in Commercial Electric through the purchase of this product. We strive to continually create quality products designed to enhance your home. Visit us online to see our full inventory of products available for your home improvement needs. Thank you for choosing Commercial Electric!

Table of Contents

Safety Information 2
Warranty 2
Pre-Installation 3
 Tool Required 3
 Hardware Included 3
Tape Light Installation 4-5
Remote Operation 6
Care & Cleaning 7
Troubleshooting 7

Safety Information

For your safety, always remember to:

- Unplug from outlet before shortening, cutting or installing this product.
- Do not use an extension cord to supply power to the strip.
- Use indoors only.
- Do not stare directly at the light when illuminated.
- Always observe polarity for connections, positive (+) to positive and negative (-) to negative.
- This product is NOT a toy.
- To avoid damage, use only with the power supply provided.
- Do not open the product. Use only as intended.
- Do not roll up the product when using. Spread out to full length before connecting power supply.
- Do not operate if any component is damaged.

This fixture is designed for use in a circuit protected by a fuse or circuit breaker. It is also designed to be installed in accordance with local electrical codes. If you are unsure about your wiring, consult a qualified electrician or local electrical inspector, and check your local electrical code.


This portable luminaire has a polarized plug (one blade is wider than the other) as a feature to reduce the risk of electric shock. This plug will fit in a polarized outlet only one way. If the plug does not fit fully in the outlet, reverse the plug. If it still does not fit, contact a qualified electrician. Never use with an extension cord unless plug can be fully inserted. Do not alter the plug.


Supplier's Declaration of Conformity:
47 CFR § 2.1077 Compliance Information

Responsible Party:
Feit Electric Company
4901 Gregg Road,
Pico Rivera, CA 90660, USA
www.feit.com

Unique Identifier:
TAPE192/WCOB/HD

FCC STATEMENT: This device complies with part 15 of the FCC Rules. Operation is subject to the following two conditions: (1) This device may not cause harmful interference, and (2) this device must accept any interference received, including interference that may cause undesired operation. Note: This equipment has been tested and found to comply with the limits for a Class B digital device, pursuant to part 15 of the FCC Rules. These limits are designed to provide reasonable protection against harmful interference in a residential installation. This equipment generates, uses and can radiate radio frequency energy and, if not installed and used in accordance with the instructions, may cause harmful interference to radio communications. However, there is no guarantee that interference will not occur in a particular installation. If this equipment does cause harmful interference to radio or television reception, which can be determined by turning the equipment off and on, the user is encouraged to try to correct the interference by one or more of the following measures: Reorient or relocate the receiving antenna. Increase the separation between the equipment and receiver. Connect the equipment into an outlet on a circuit different from that to which the receiver is connected. Consult the dealer or an experienced radio/TV technician for help. Warning: Any changes or modifications not expressly approved by the manufacturer could void the user's authority to operate the equipment.

 **WARNING: RISK OF SHOCK.** House electric current can cause painful shock or serious injury unless handled properly.

 **WARNING: RISK OF FIRE.** Before installing your lighting fixture, thoroughly review enclosed installation manual. If you do not have sufficient electrical wiring experience, please refer to a do-it-yourself wiring handbook or have your fixture installed by a qualified licensed electrician. All electrical connections must be in accordance with Local and National Electrical Code (NEC) Standards.

Radiation Exposure Statement

This device complies with FCC radiation exposure limits set forth for an uncontrolled environment. This device should be installed and operated with a minimum distance of 20cm between the radiator and your body.

Limited Warranty

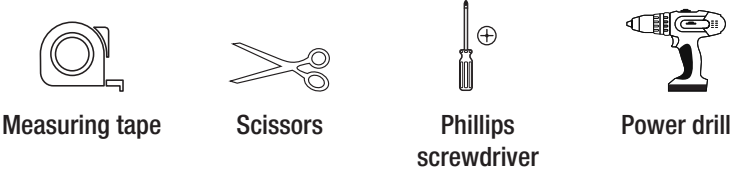
This product is warranted to be free from defects in workmanship and materials for up to 3 years from date of purchase. If it fails to do so, please contact the Customer Service Team at 1-877-527-0313 or visit www.HomeDepot.com.

Pre-Installation

PLANNING INSTALLATION

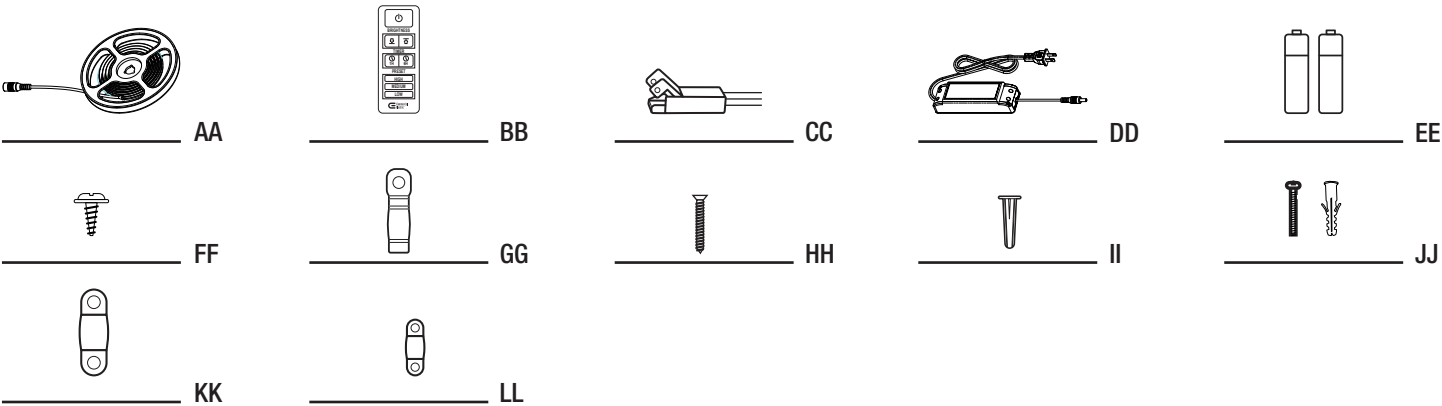
It is important to read these guidelines completely to understand how color changing LED tape lighting works. Ideal adhesive application temperature range is 60°F (15.6°C) to 100°F (38°C).

TOOLS REQUIRED (NOT INCLUDED)



 **NOTE:** Hardware not shown to actual size.

HARDWARE INCLUDED

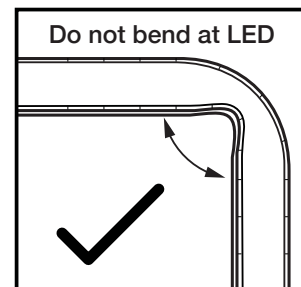


Part	Description	Quantity
AA	Tape Light	1
BB	Remote Control	1
CC	Wire lead connector (optional use)	4
DD	Power Adapter	1
EE	AAA batteries	2
FF	Tape Light Mounting Clip Screws	9
GG	Tape Light Mounting Clips	9
HH	Power Supply Screw	2
II	Power Supply Anchors	2
JJ	Cable Clip Screws with Anchors	6
KK	Large Cable Clip	1
LL	Small Cable Clip	2

Tape Light Installation

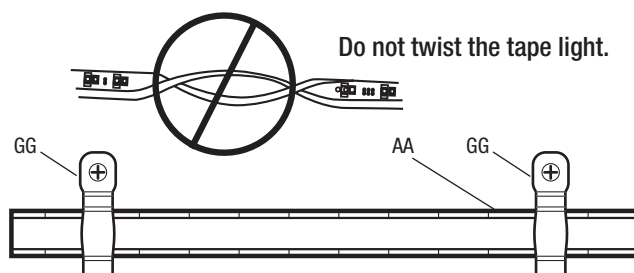
1 Prepare the Tape Light

- Measure the desired length before installation.
- Clean the mounting area thoroughly (surface must be free of dust, dirt or grease).
- Avoid bending the tape light which may damage the LEDs.
- Avoid removing and relaying the tape light multiple times as the adhesive may wear off.



2 Mount the Tape Light

- Peel adhesive tape from back of tape light (AA) to position and align strip light on mounting surface.
- Screw in mounting clips (GG) (required for all long term installations). Save two clips to use for installing the power supply (step 4).



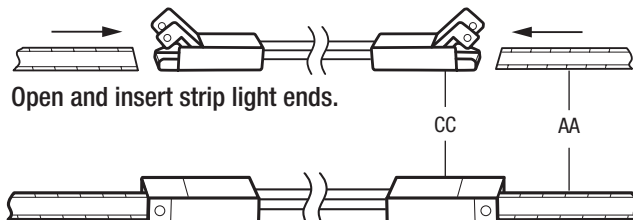
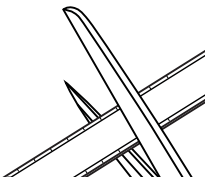
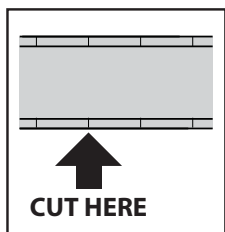
NOTE: Unroll tape light and place near mounting location. Ensure power supply and controller can reach the start of the tape light. Do not connect to power yet.



IMPORTANT: This tape light uses permanent tape and may cause surface damage if removed. Included attached adhesive tape not recommended for mounting on brick or concrete. For textured surfaces, other mounting tapes may be available. Please contact The Home Depot customer support.

3 Cutting the Tape Light (optional)

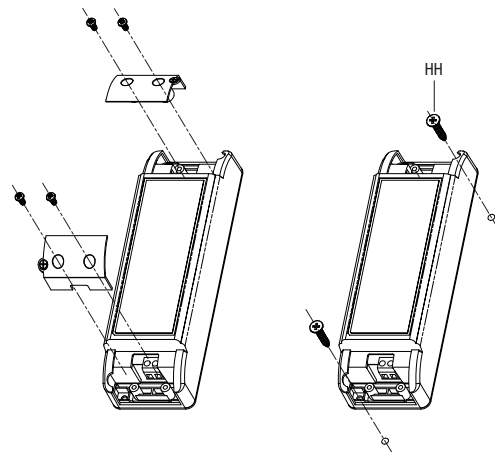
- Ensure the power adapter (DD) is not plugged in at the wall outlet when mounting or cutting.
- Cut to length **ONLY** on the dashed line.
- Cutting at any other area will permanently damage the strip.
- Once cut, the portion of the tape light that will not connect to the controller can be disposed of in accordance with local recycling or waste regulations.
- Optional - Re-attach your LED tape light using the included connectors (CC).



Tape Light Installation (continued)

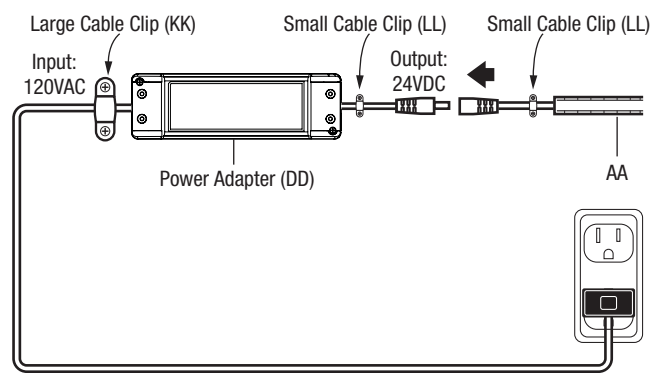
4 Wall Mount Power Supply (Optional)

- Remove the top enclosure of power adapter (DD) by removing the four screws.
- Use the Power supply screws (HH) for wall mount.
- If mounting on drywall, use the included power supply anchors (II).



5 Plug-In Installation

- Use Large Cable Clips (KK) with screw (JJ) to secure thicker cable and Small Cable Clips (LL) with screw (JJ) for thinner cable, ensuring they are neatly organized and strain free.
- If mounting on drywall, use the included cable clip anchors (JJ).
- Connect power adapter (DD) to wall outlet.



6 Hardwired Installation (optional)



NOTE: Before making any connections, remove the power input terminal cover as shown. After all wiring is completed and verified, reinstall the cover and tighten the screws securely.

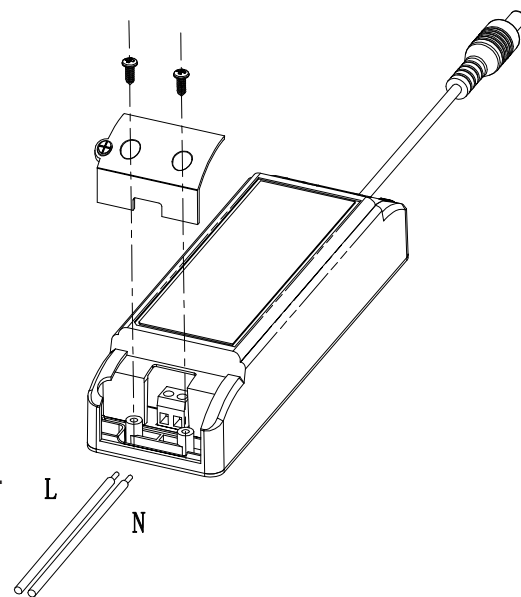
- To direct wire, remove the AC input cable/plug from the Plug-in power adapter (DD) and connect black live wire from a branch circuit to the line side (L) of the built-in terminal block and connect the white neutral wire to the neutral side of the terminal block (N), as indicated on the case. Power supply uses a fully isolated case; ground wire should not be connected.
- The power adapter must be installed close to the wall outlet.
- After installation, ensure no wires are exposed on the mounting surface.
- Requires branch circuit conductors rated for a maximum of 14 AWG.
- Before restoring power, make sure all connections are tight and the endcaps are reinstalled securely.
- The 24-volt power cable to the tape lighting can be shortened or lengthened as needed. 20AWG is required when lengthening this cable; keep wire runs as short as possible. Always use suitable wire connectors to meet installation code requirements.



WARNING: Disconnect power by unplugging the power adapter or turning off the circuit breaker before removing the power adapter end caps.



IMPORTANT: All wiring must be in accordance with national and local electrical codes, low-voltage Class 2 circuit. If you are unclear as to how to install and wire this product, consult a licensed electrician.



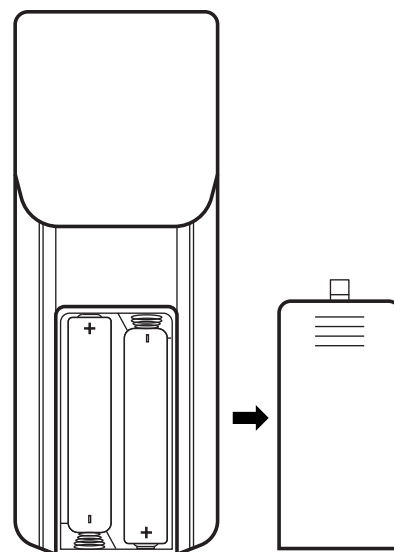
Remote Operation

1 Installing the Batteries

- Remove the AAA batteries from the plastic wrap.
- Press the clip to release the battery cover.
- Place the AAA batteries into the compartment, aligning the positive end (+) with the corresponding symbol inside the compartment.
- Once the batteries are correctly installed, replace the battery compartment cover and test the remote.
- Do not mix old and new batteries.
- Do not mix alkaline, standard (carbon-zinc), or rechargeable (ni-cad, ni-mh, etc) batteries.

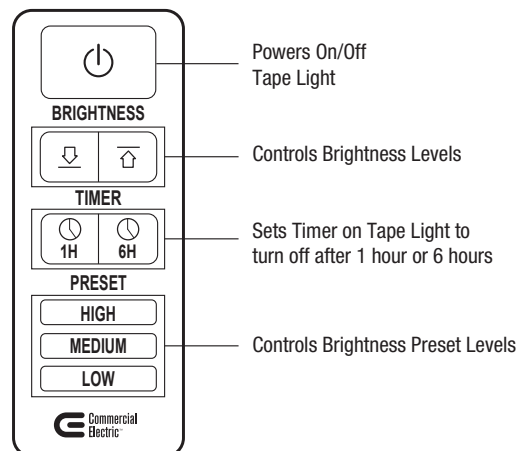


NOTE: Dispose of used (or excess) batteries in compliance with federal, state/provincial and local regulations. Do not accumulate large quantities of used batteries for disposal as accumulations could cause batteries to short circuit. Do not incinerate. Do not dispose of batteries in household trash.



2 Functions of the Remote

- The remote (BB) does not require line-of-sight to operate the lights.
- The remote can operate up to 100 feet in optimal conditions; however, range may vary depending on installation.



3 Pairing the Tape Light

Pairing

- Unplug the power adapter (DD) for the kit that is to be paired. Wait 5 seconds.
- Restore power to the power adapter (DD), then within 10 seconds press and hold the power On button on the remote (BB).
- The lights will flash (3) times to indicate a successful pairing.
- This kit will now operate with the remote used in this procedure. Repeat as desired with other kits and remotes.

Unpairing

Each remote uniquely paired to a kit

- Unplug the power adapter (DD) for the kit that is to be paired. Wait 5 seconds.
- Restore power to the adapter (DD), then within 10 seconds press and hold the power On button on the remote (BB).
- The lights will flash six (6) times to indicate a successful unpairing.

Care and Cleaning

- To clean the fixture, disconnect the power by unplugging the adapter. Use a dry or slightly dampened, clean cloth to wipe the exterior surface of the fixture.
- Do not use any cleaners with chemicals, harsh abrasives, or solvents. Use only a dry soft cloth to dust or wipe carefully.

Troubleshooting

Problem	Possible Cause	Solution
The LED will not light.	The LED is burned out.	Discontinue use of the lamp.
	The power is off.	Ensure the power supply is turned on.
	The power adapter is not plugged in.	Ensure the power cord is plugged into the outlet.
	The connector has faulty connections.	Check the connections of the connectors.
	The circuit breaker is turned off.	Ensure the circuit breaker is in the "ON" position.
Fuse blows or circuit breaker trips when light is turned on.	A wire is exposed.	<ul style="list-style-type: none">□ Discontinue use of the lamp.□ Unplug the unit from the wall.□ Contact a qualified electrician or call the Customer Care Service Team at 1-877-527-0313, 8 a.m. - 7 p.m., EST, Monday - Friday, 9 a.m. - 6 p.m., EST, Saturday.



Questions, problems, missing parts? Before returning to the store,
call Commercial Electric Customer Service
8 a.m. - 7 p.m., EST, Monday - Friday, 9 a.m. - 6 p.m., EST, Saturday

1-877-527-0313

HOMEDEPOT.COM

Retain this manual for future use.