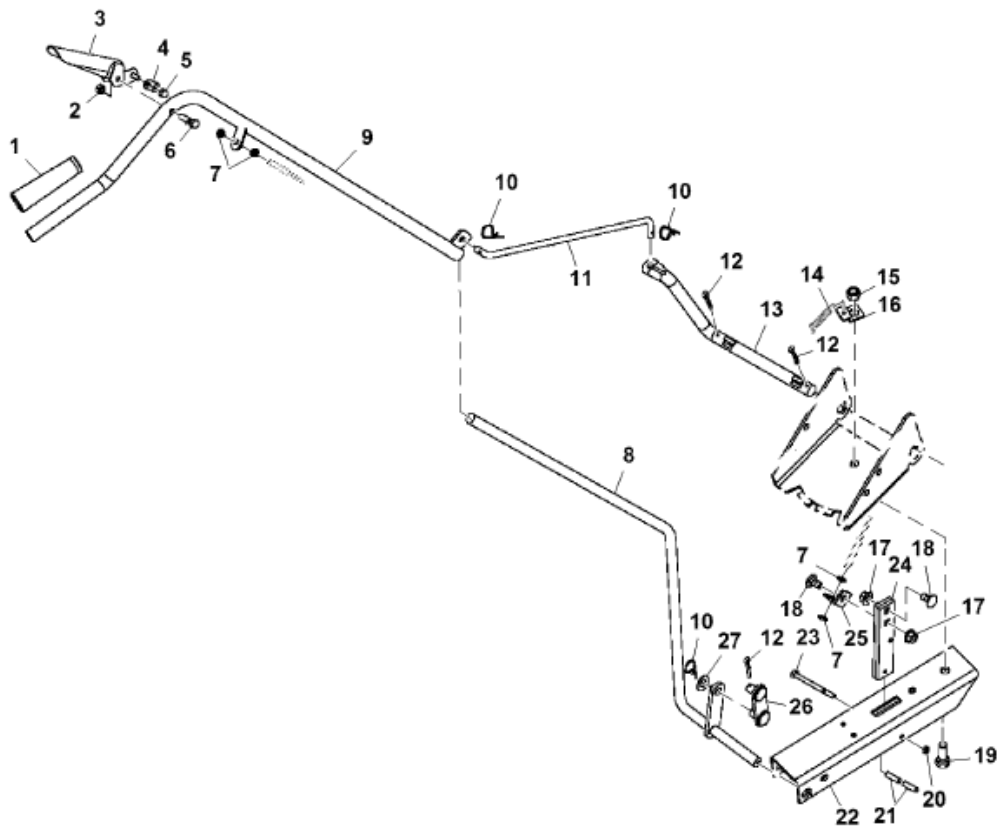


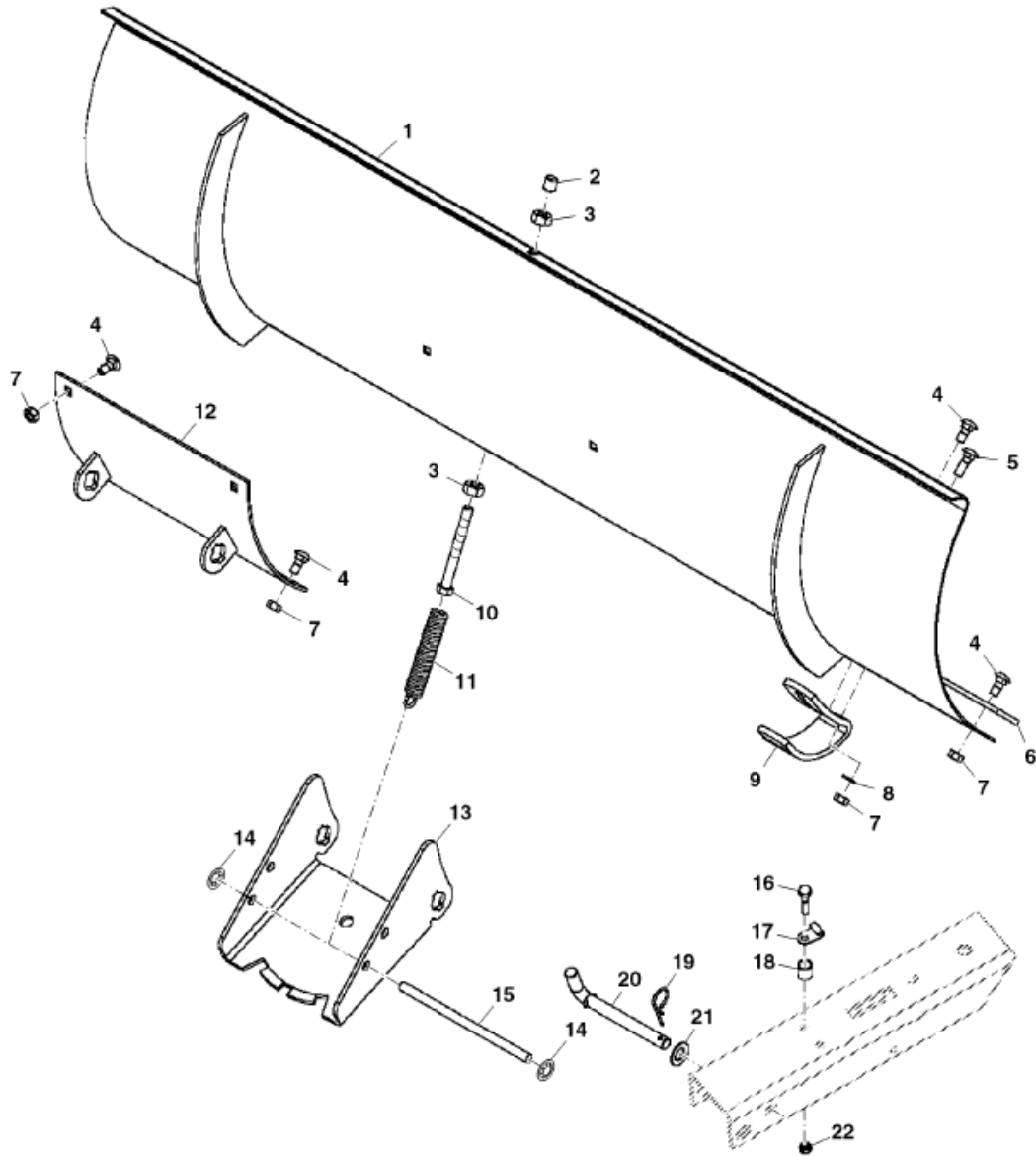
Lift Lever And Linkage
Levier et tringlerie de relevage
Hubhebel und Gestänge
Leva di sollevamento e tirante
Palanca de elevación y varillaje
PU15182 A.1



PU15182

Key	Part No.	Part Name	Qty.	Serial No.	Remarks
1	GXH48471	Grip	1		
2	T16464	Lock Nut	1		7,925 mm
3	GXH62561	Control Lever	1		(A)
4	GXH48084	Hold-Down Clip	1		
5	GXH48236	Lock Nut	1		
6	19H1849	Cap Screw	1		5/16" X 1-1/4"
7	14H882	Nut	4		
8	GXH64227	Handle	1		5/16"
9	GXH65519	Handle	1		
10	J16931	Spring Locking Pin	4		
11	GXH48167	Rod	1		Blade Pivot
12	11M7015	Cotter Pin	4		3,200 X 25 mm
13	GXH46066	Shaft	1		(A); Blade Pivot
14	GXH43348	Spring	1		
15	K40014	Lock Nut	1		12,700 mm
16	GXH23130	Bracket	1		
17	E59406	Flange Nut	2		9,525 mm
18	03H1519	Bolt	2		3/8" X 1"
19	GXH23131	Bolt	1		
20	M40333	Lock Nut	1		6,350 mm
21	28H2546	Bushing	2		0.302" X 0.540" X 1"
22	GXH24347	Channel	1		
23	19H3171	Cap Screw	1		1/4" X 3-1/4"
24	GXH23151	Bar	1		(A); Angle Lock
25	GXH24780	Bracket	1		Cable Mount
26	GXH63034	Lift Link	1		
27	24H1341	Washer	1		17/32" X 15/16" X 0.080"
28	GXH64197	Package Of Parts	1		Includes Parts Marked (A)); Also Include GXH24778

Blade
Lame
Schild
Pala
Hoja
PU12384 A.1



PU12384

Key	Part No.	Part Name	Qty.	Serial No.	Remarks
1	GXH63821	Front Blade	1	(Black)	
	GXH63821Y	Front Blade	1	(Yellow)	
2	GXH44074	Cap	1	(A)	
3	14H1076	Nut	2	3/8", (A); (B)	
4	03H1540	Bolt	8	5/16" X 3/4"	
5	03H1524	Bolt	2	5/16" X 1", (B)	
6	GXH24524	Wear Plate	1		
7	T16464	Lock Nut	10	7.925 mm, (B)	
8	24H1136	Washer	4	11/32" X 11/16" X 0.065"	
9	GXH24690	Shoe	2	(A)	
10	GXH44071	Bolt	1	(A)	
11	GXH48090	Spring	1	(A)	
12	GXH62980	Plate	1		
13	GXH23958	Plate	1		Pivot Lock
14	GX20093	Push Nut	2	(B)	
15	GXH23856	Rod	1	(B)	
16	19H1791	Cap Screw	1	1/4" X 1-1/4"	
17	GXH48084	Hold-Down Clip	1	(B)	
18	GXH23958	Spacer	1	(B)	
19	J16931	Spring Locking Pin	1	(B)	
20	GXH48065	Pin	1	(B)	
21	24H1341	Washer	1	17/32" X 15/16" X 0.060"	
22	M40333	Lock Nut	1	6.350 mm, (B)	
23	GXH64461	Package Of Parts	1		Includes Parts Marked (A)); Not Illustrated
24	GXH64195	Package Of Parts	1		Includes Parts Marked (B)); (Also Includes GXH24780; GXH43348; GXH48236; (2) GXH48106; (2) GXH48149; (2) A15147; (2) 19H1936; (2) 12H304; (4) 14M7396; (8) 19H2676; (8) 03M7194); Not Illustrated