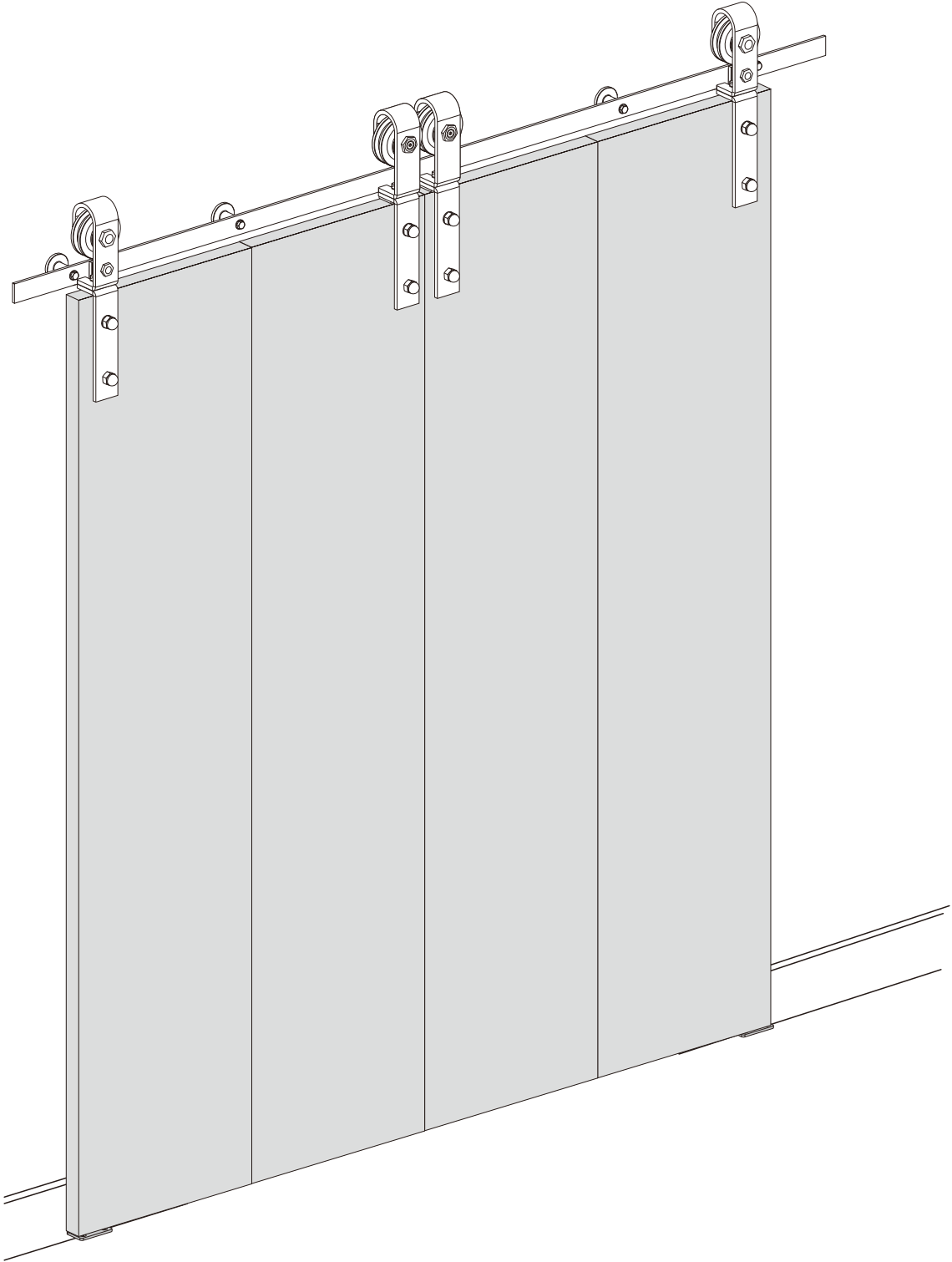
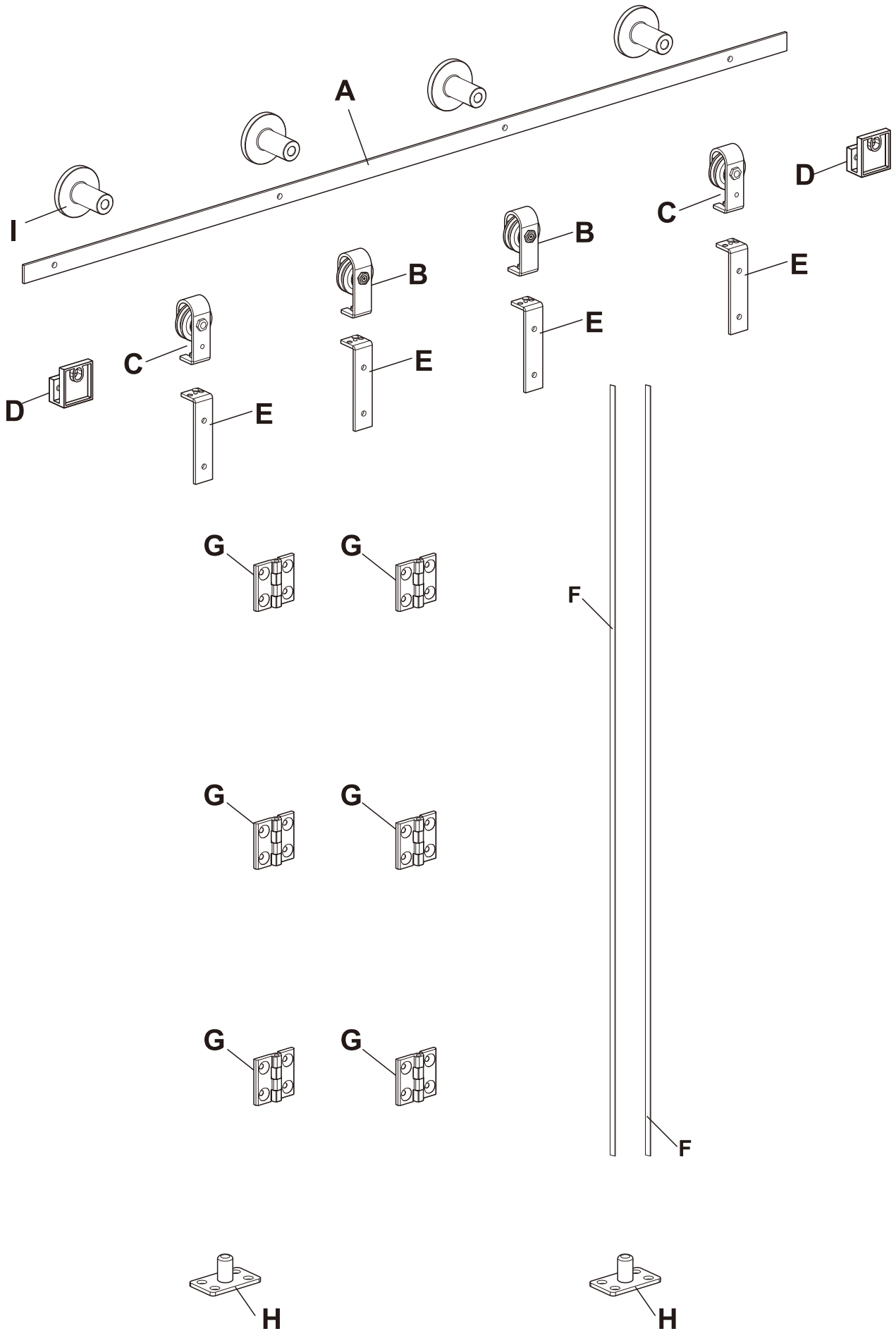




Installation Manual

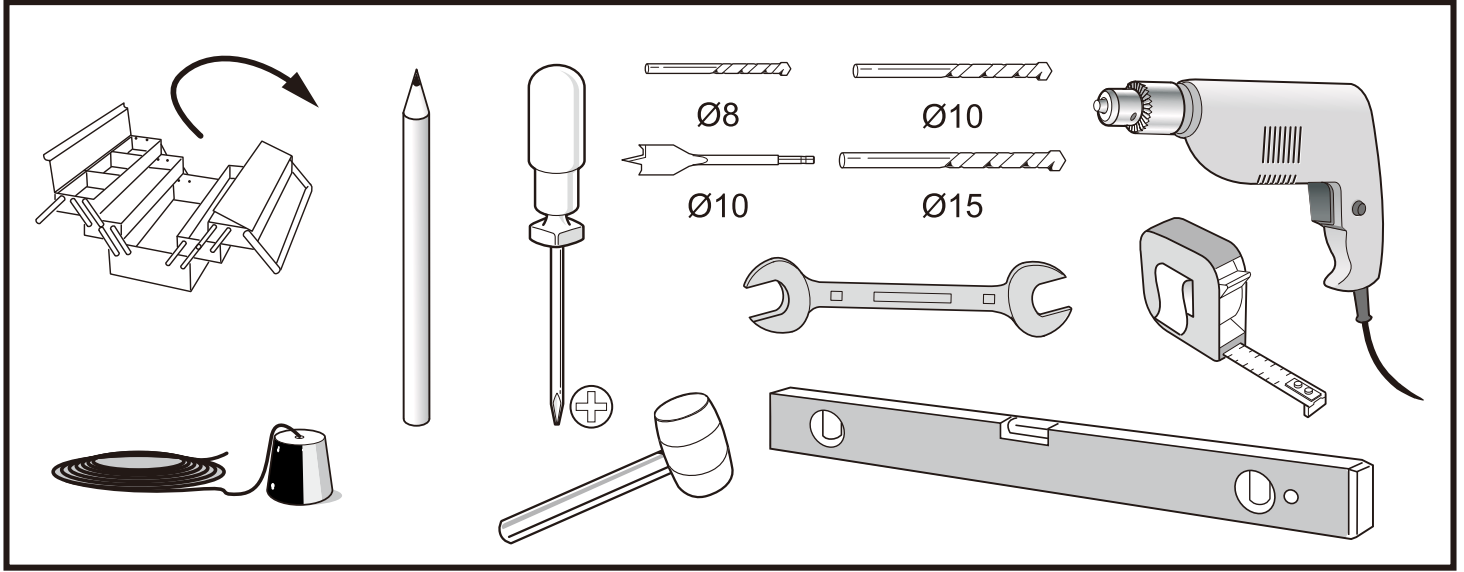


Components list


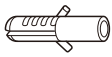

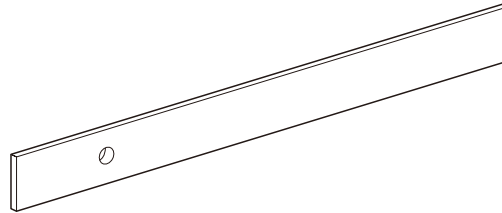
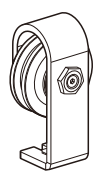



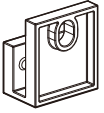



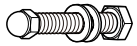

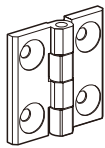


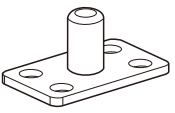
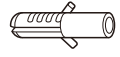


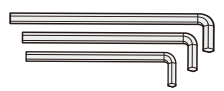


Pre-installation

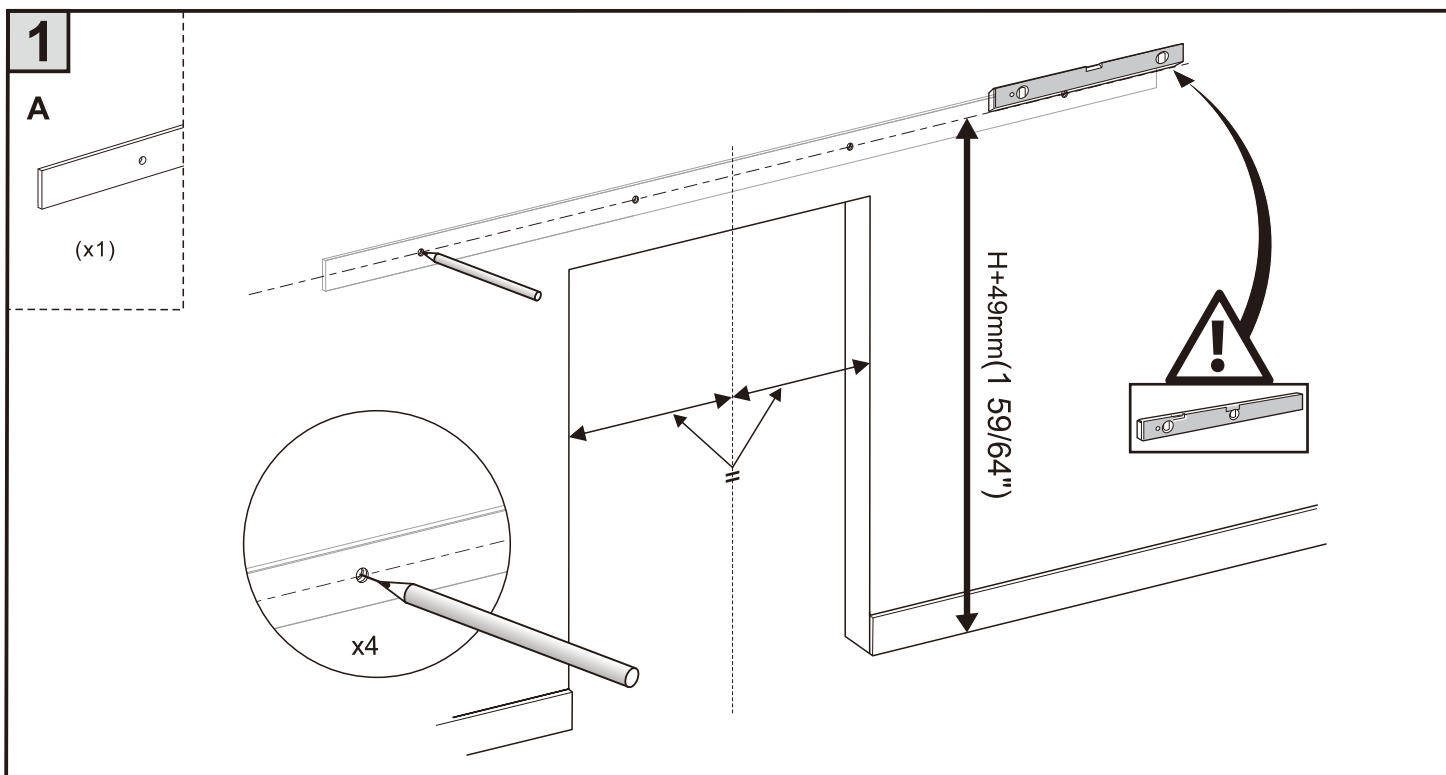
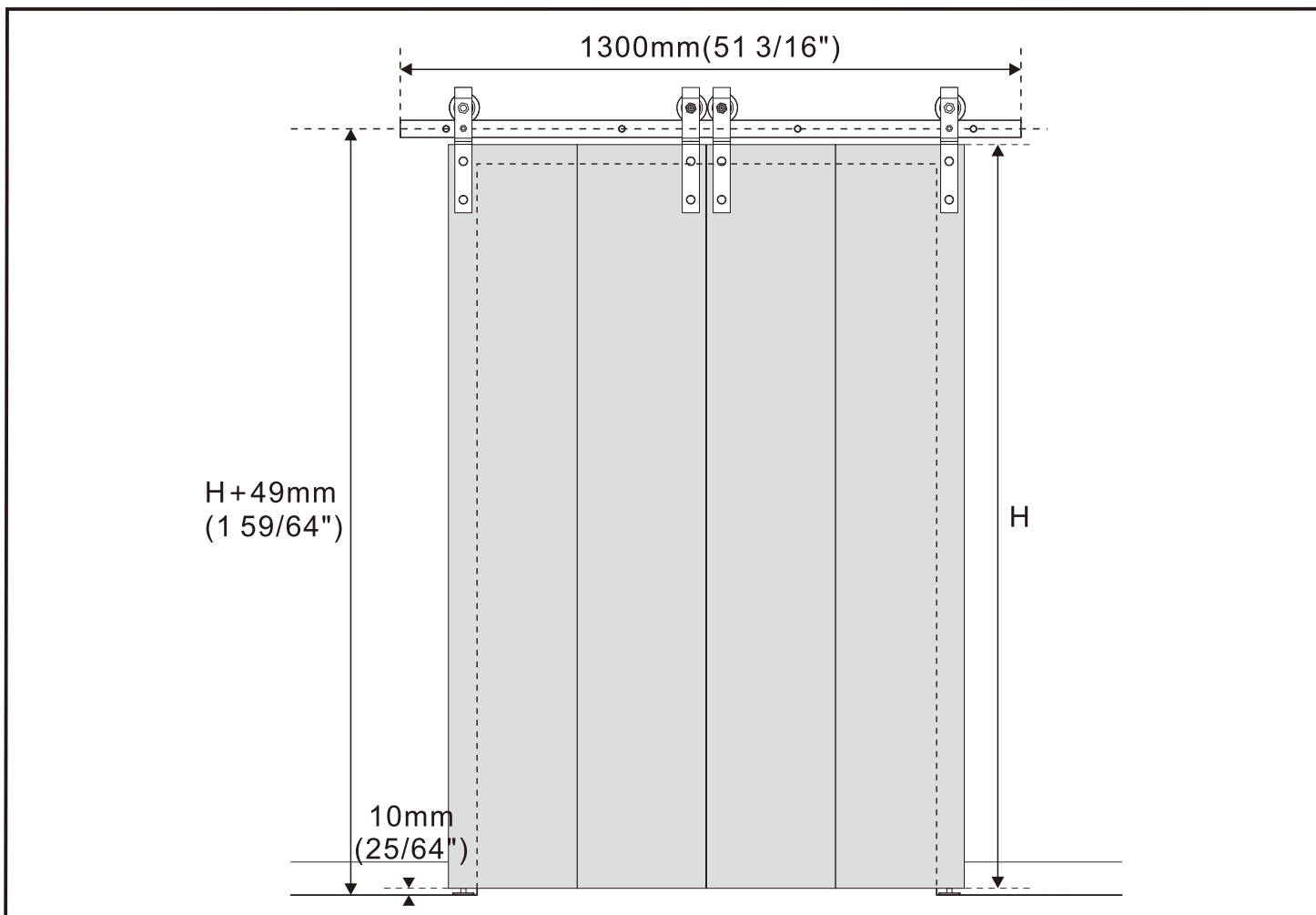
TOOLS REQUIRED



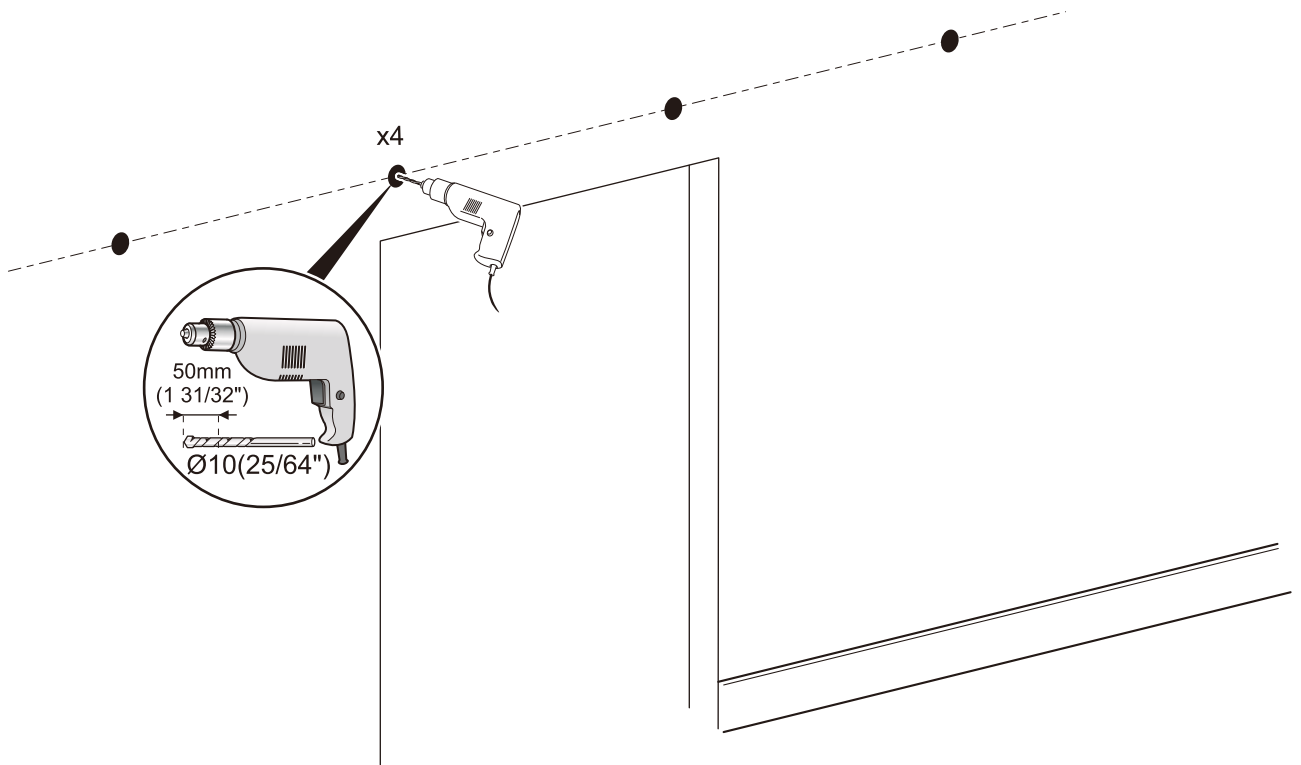
HARDWARE INCLUDED

<p>A</p>  <p>(x4)</p>  <p>$\text{Ø}10 \times 48$ (x4)</p>  <p>M8x90 (x4)</p>	 <p>(x1)</p>	<p>B</p>  <p>(x2)</p>	<p>C</p>  <p>(x2)</p>  <p>(x2)</p>  <p>M5x26 (x2)</p>
<p>D</p>  <p>(x2)</p>  <p>M5x6 (x4)</p>	<p>E</p>  <p>ST4.8X32 (x8)</p>  <p>(x4)</p>  <p>M10x60 (x8)</p>		
<p>F</p>  <p>(x2)</p>	<p>G</p>  <p>(x6)</p>  <p>ST6X25 (x24)</p>		
<p>H</p>  <p>(x2)</p>  <p>(x2)</p>  <p>$\text{Ø}8 \times 35$ (x8)</p>  <p>ST4.2X32 (x8)</p>	<p>I</p>  <p>(x4)</p>	<p>J</p> 	

Installation



2



3

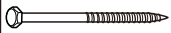
A



(x4)



Ø10X48 (x4)

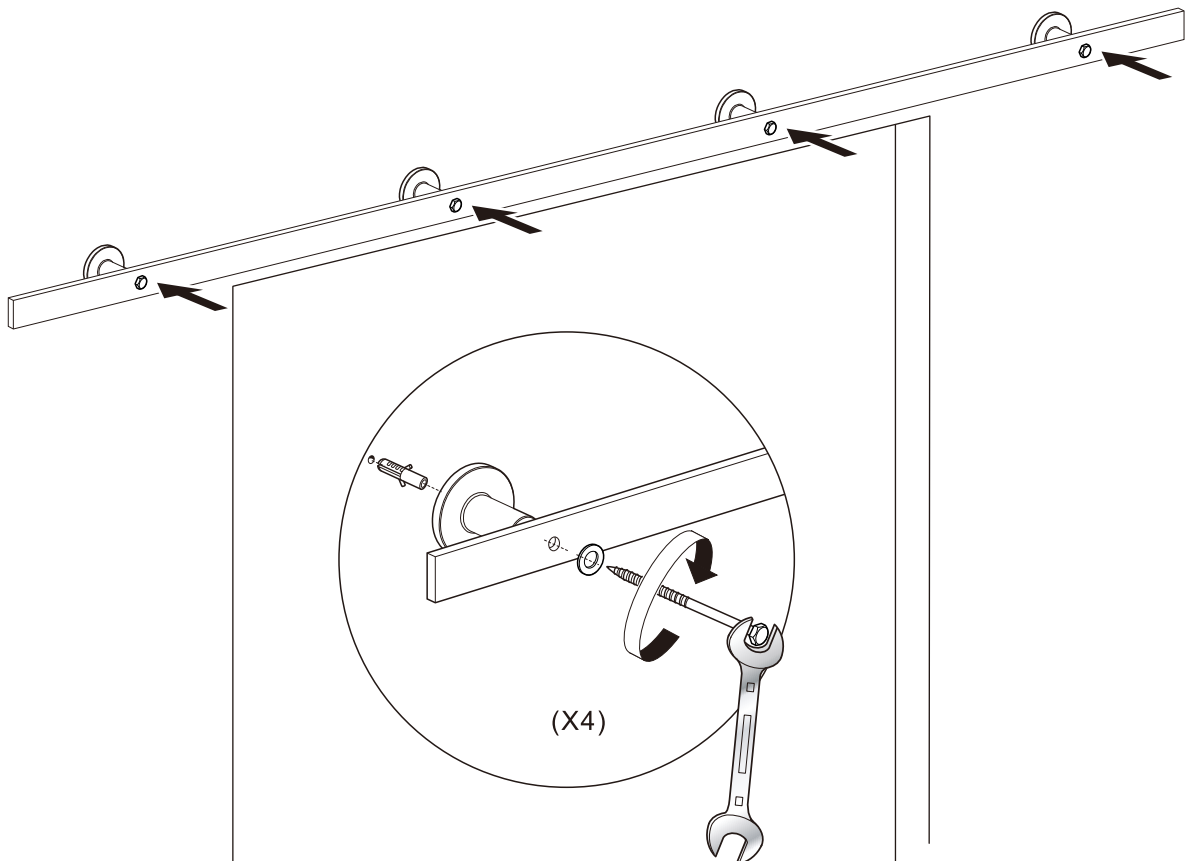


M8x90 (x4)

I

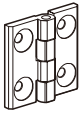


(x4)



4

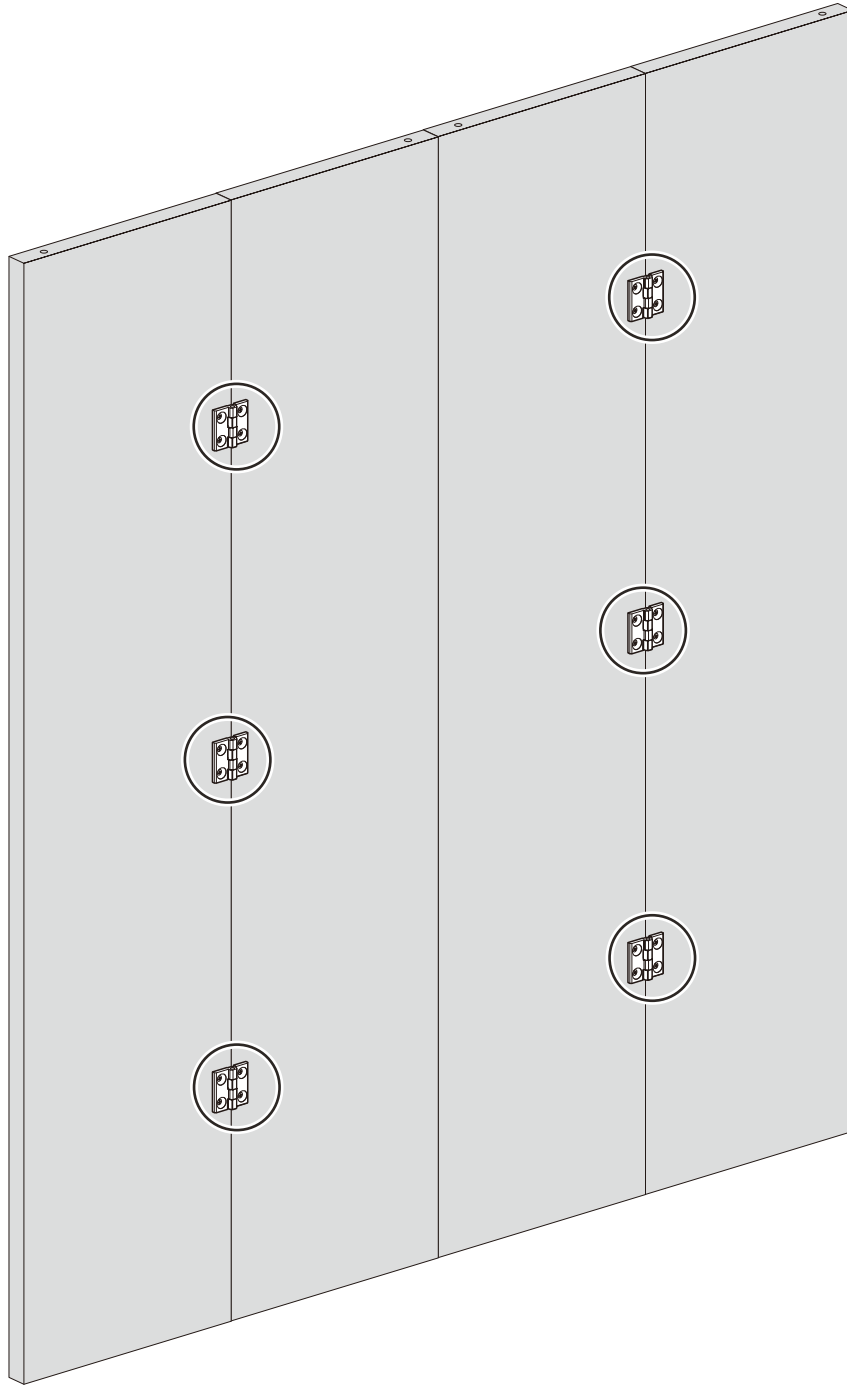
G



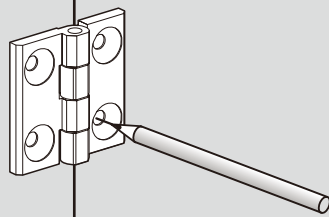
(x6)



ST6X25 (x24)

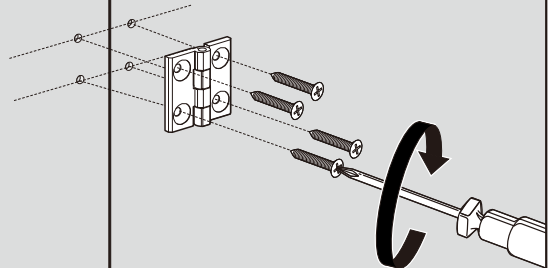


1



x6

2



5

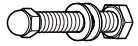
E



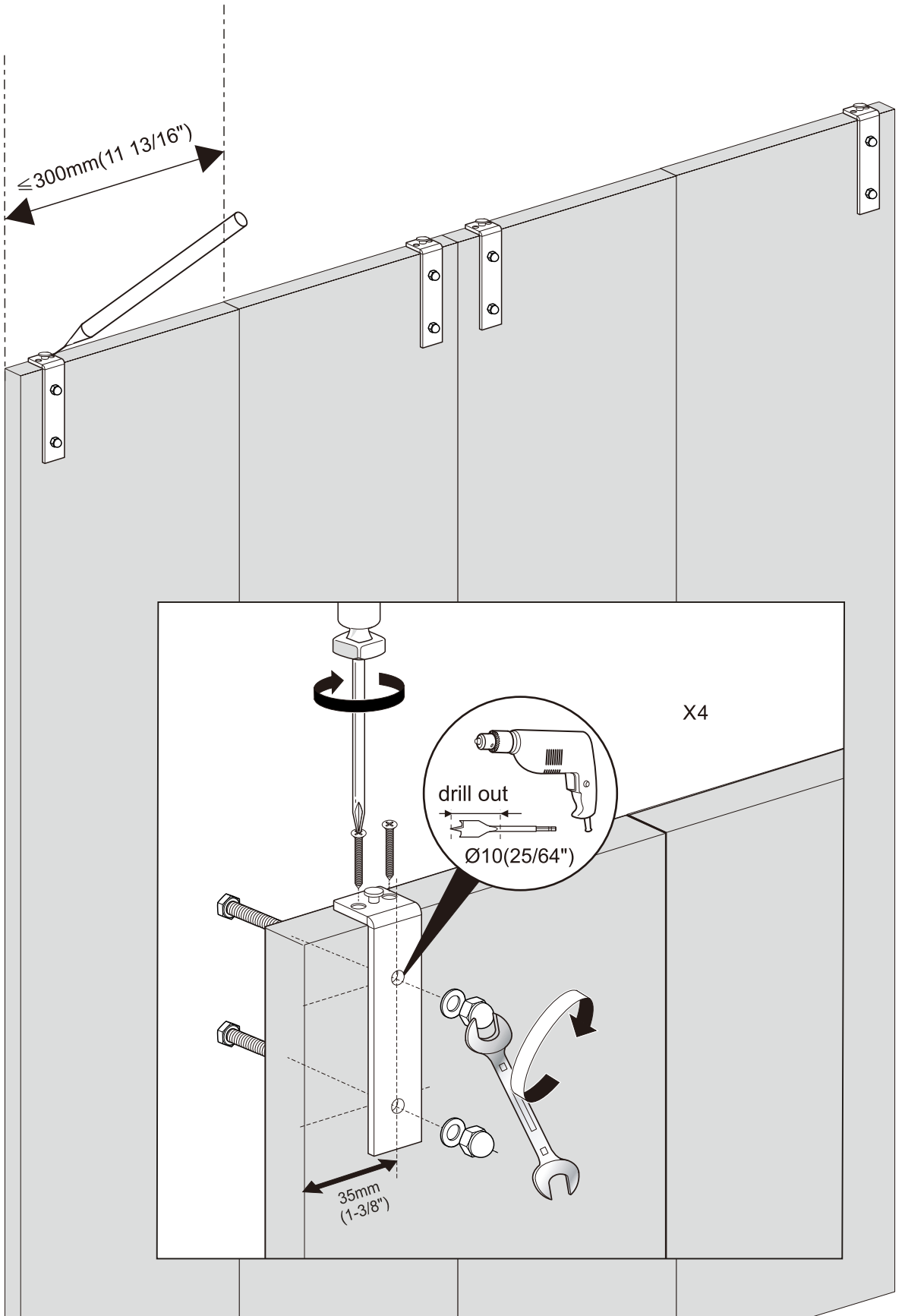
ST4.8X32 (x8)



(x4)



M10x60 (x8)

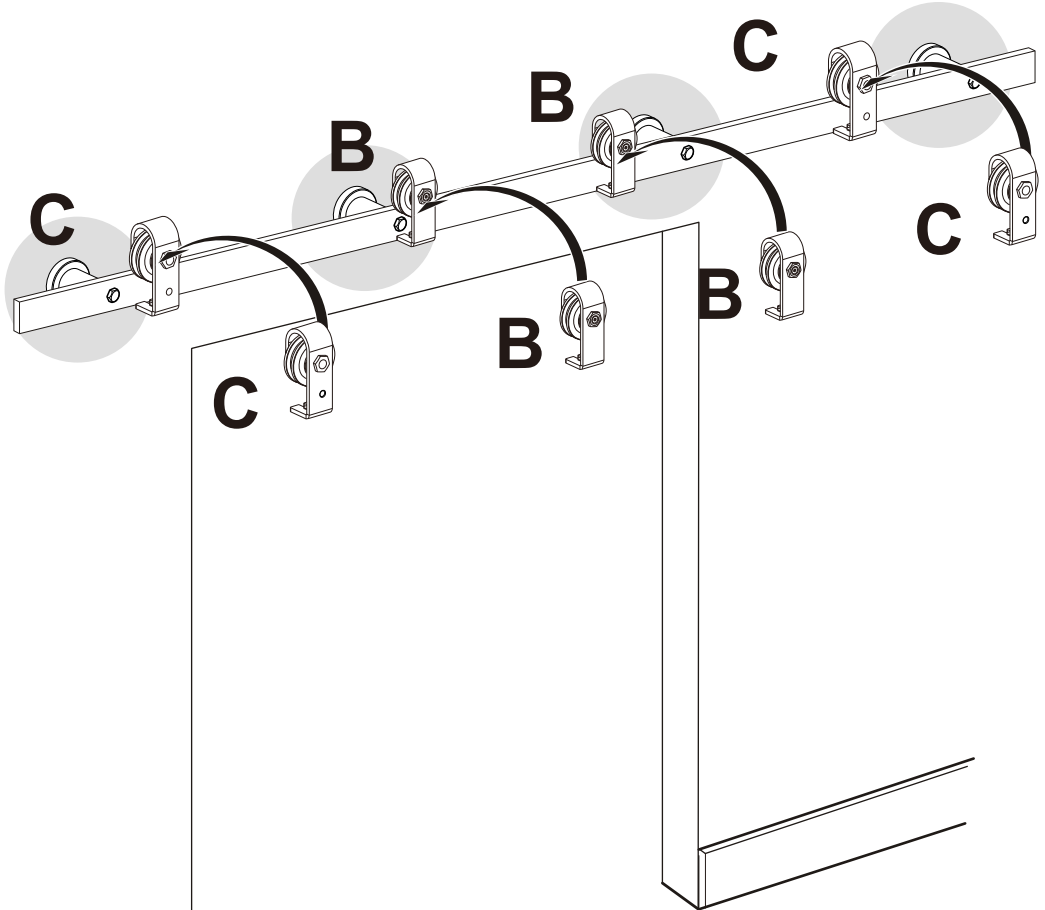


6**B**

(x2)

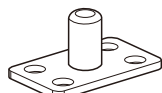
C

(x2)

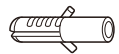
**7****H**
 $\geq 30\text{mm}$
 (1 3/16")

 $\geq 30\text{mm}$
 (1 3/16")


(x2)



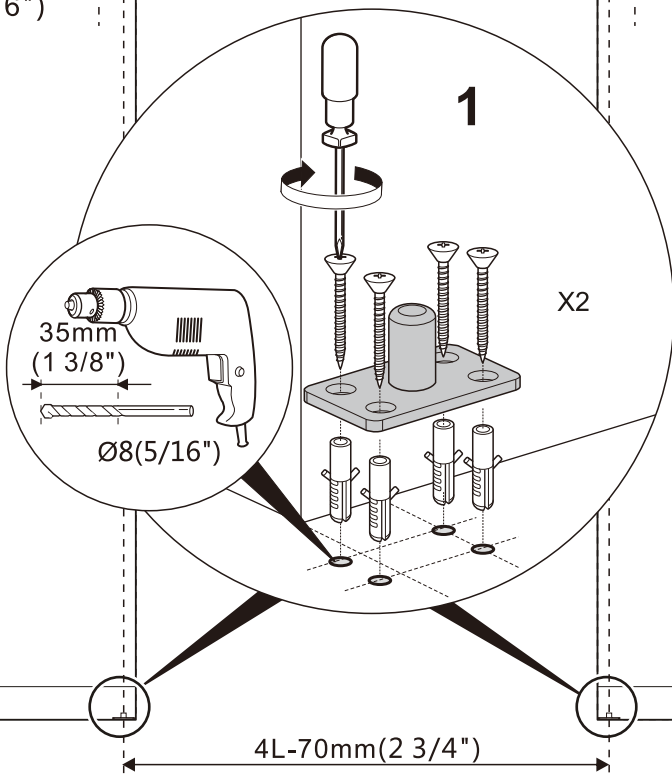
(x2)



Ø8X35 (x8)



ST4.2X32 (x8)

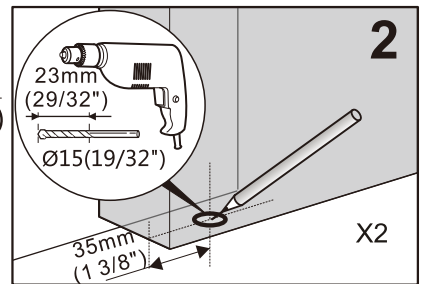
**1**

X2

 35mm
 (1 3/8")

Ø8(5/16")

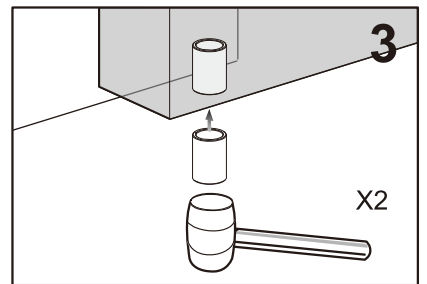
4L-70mm(2 3/4")

**2**
 23mm
 (29/32")

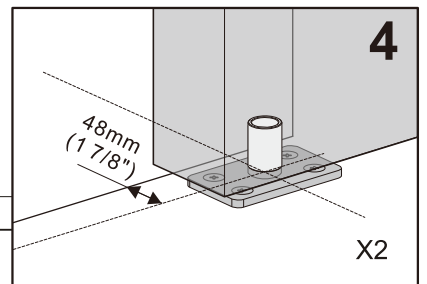
Ø15(19/32")

 35mm
 (1 3/8")

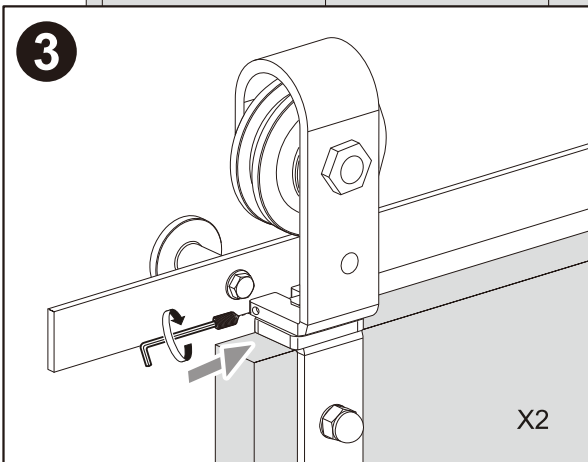
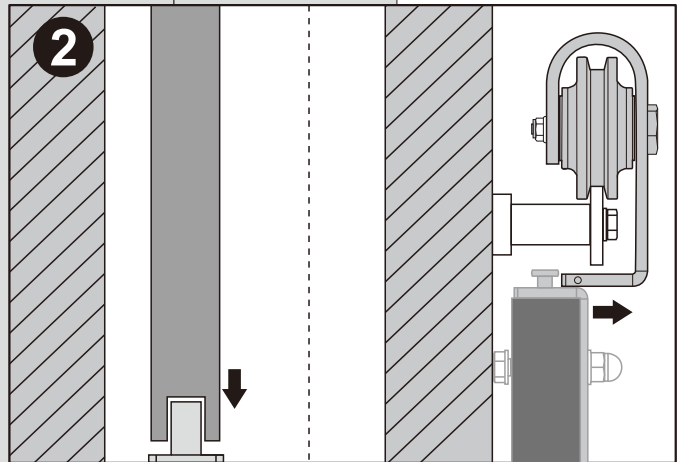
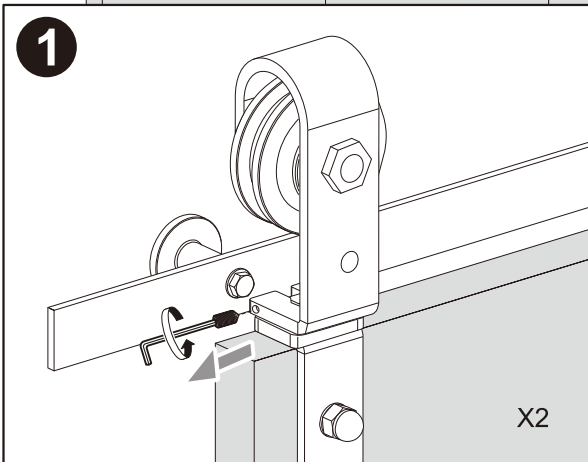
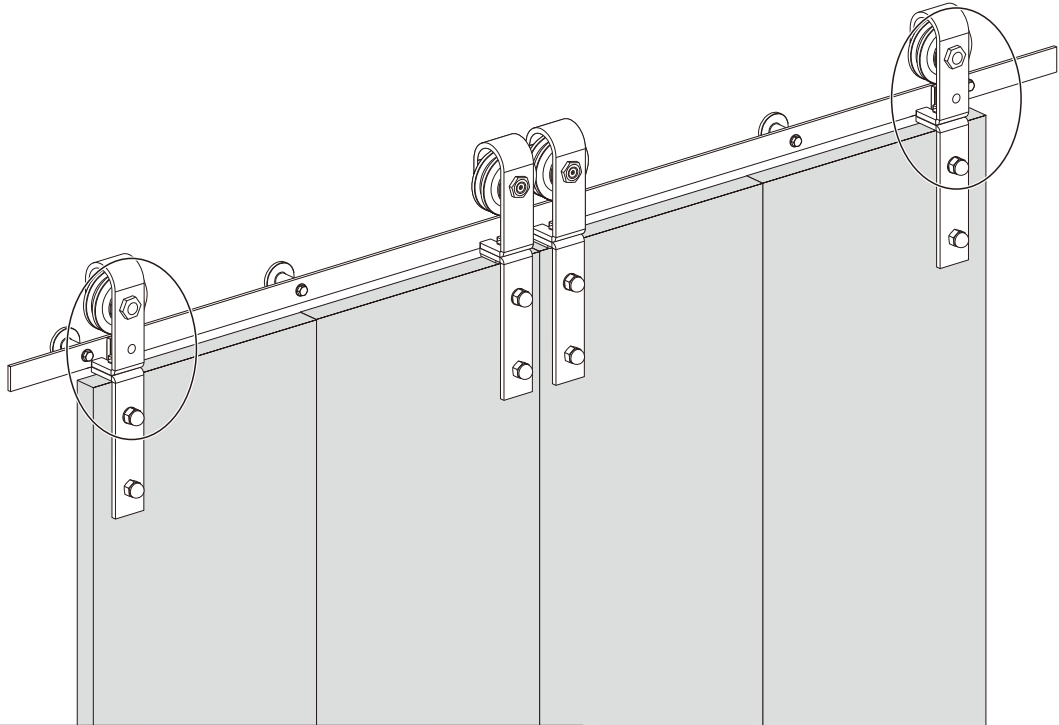
X2

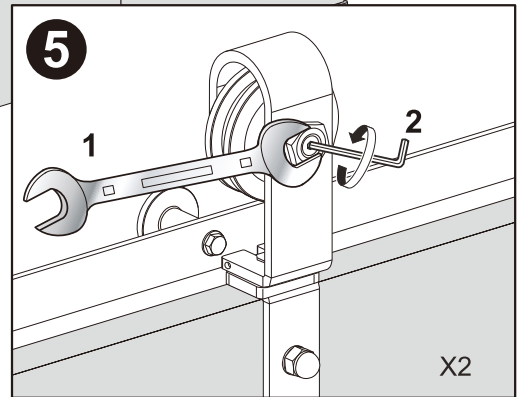
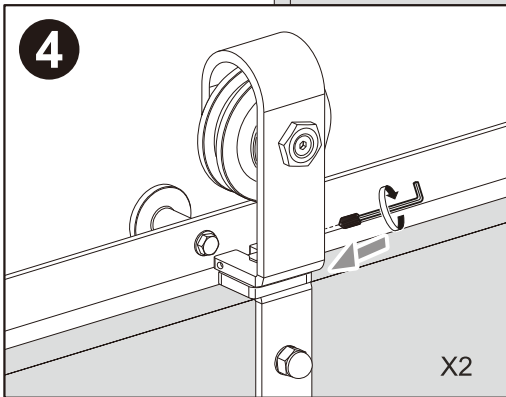
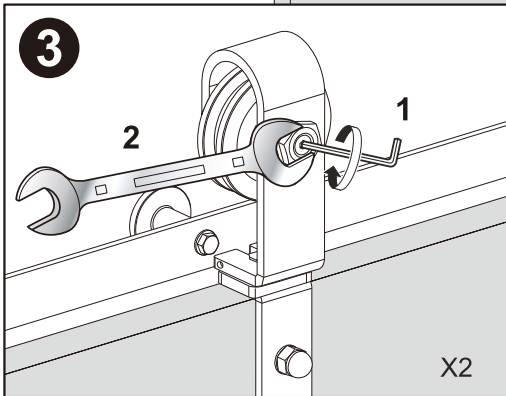
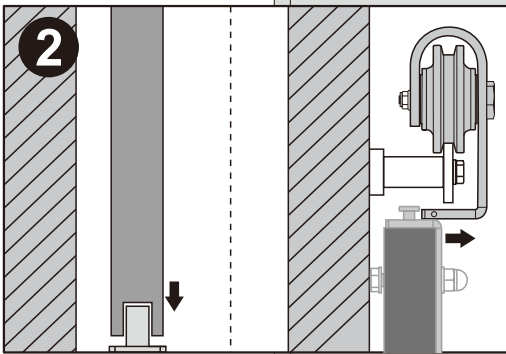
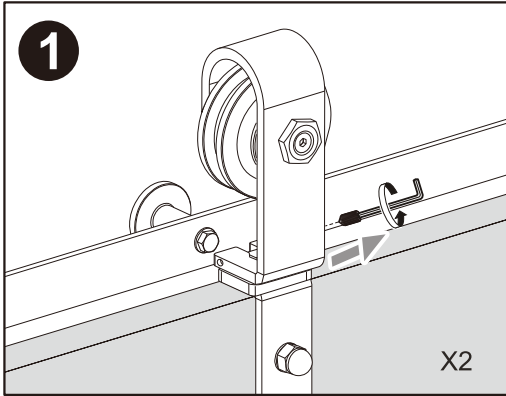
**3**

X2

**4**
 48mm
 (1 7/8")

X2





10

C

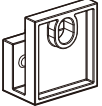


(x2)



M5x26 (x2)

D



(x2)



M5x6 (x4)

