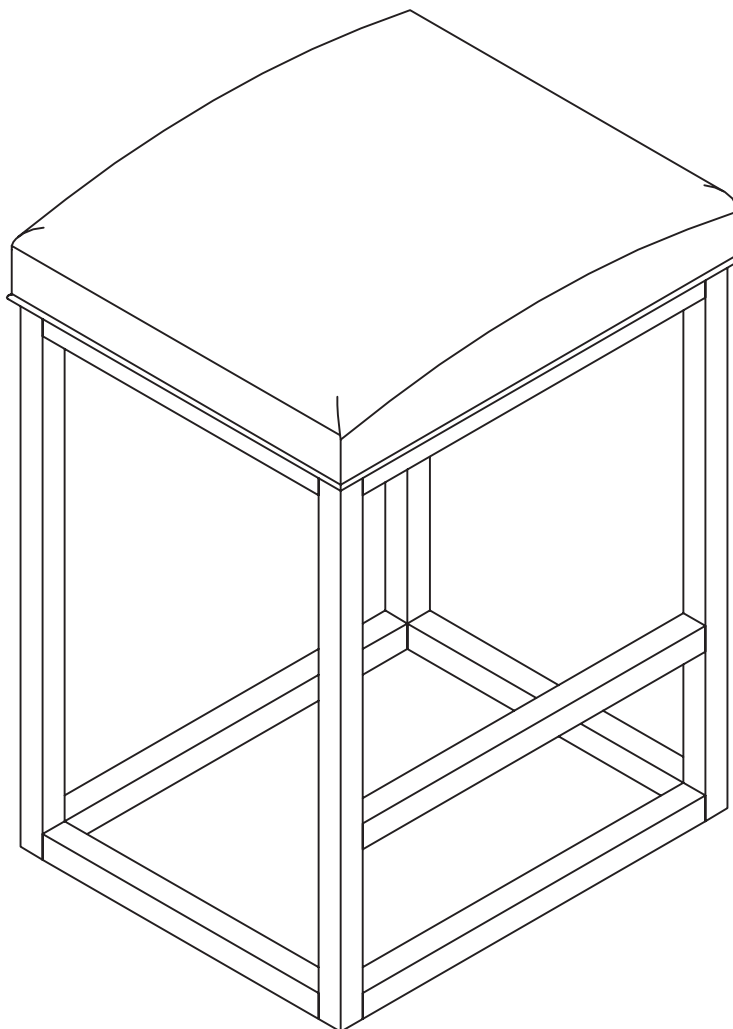


Let's build the

Nelson Bar Stool



Scan me!

Inspiration
Digital Instructions
Free Lifetime Warranty

nathan james

21-0901

Ok, let's get rolling

This should be easy, just follow our instructions and you will be back to Netflix in no time.

Estimated time for assembly



25:00

What you need

- Some of your favourite bubbly or your preferred relaxant
- Use the packaging carton as a working surface to prevent product damage during assembly

Do not use a drill



Weight Limitation



275
lbs

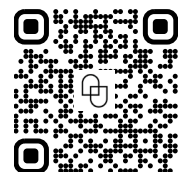
Toll-free at 1-866-619-1004
Help@nathanjames.com
Nathanjames.com/help

What's included

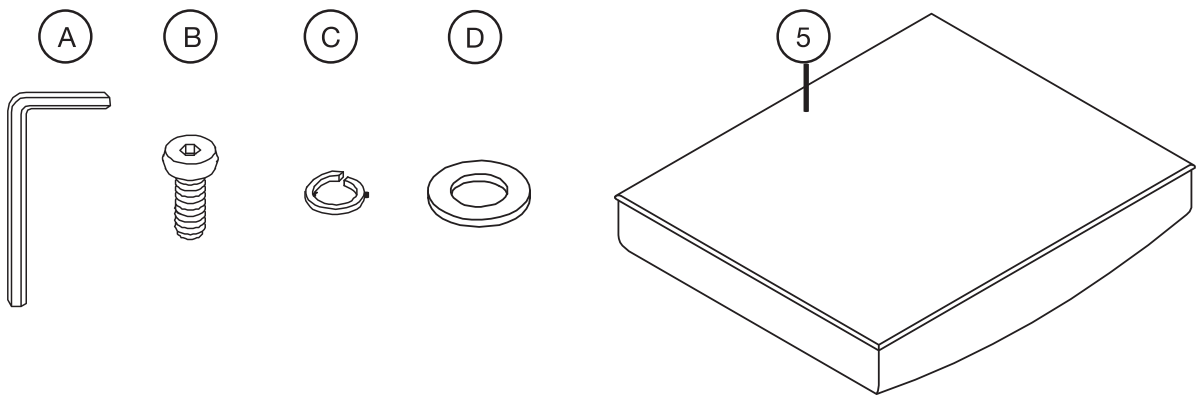
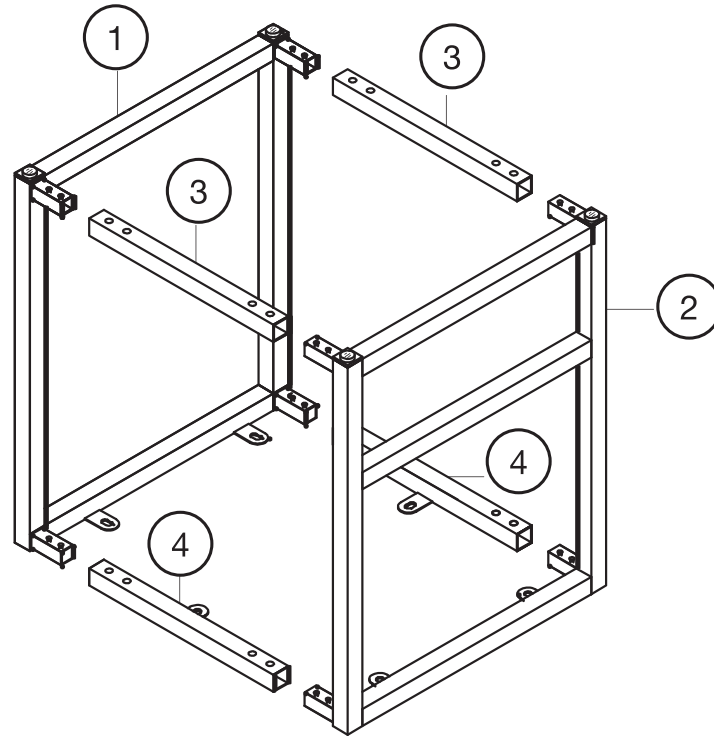
Description	Qty
1 Back Frame	1
2 Front Frame	1
3 Bottom Stretcher	2
4 Top Stretcher	2
5 Seat	1
A Allen Key	1
B Bolt M6*16 MM	22
C Spring Washer	22
D Flat Washer	22

Scan me!

Inspiration
Digital Instructions
Free Lifetime Warranty



The goods



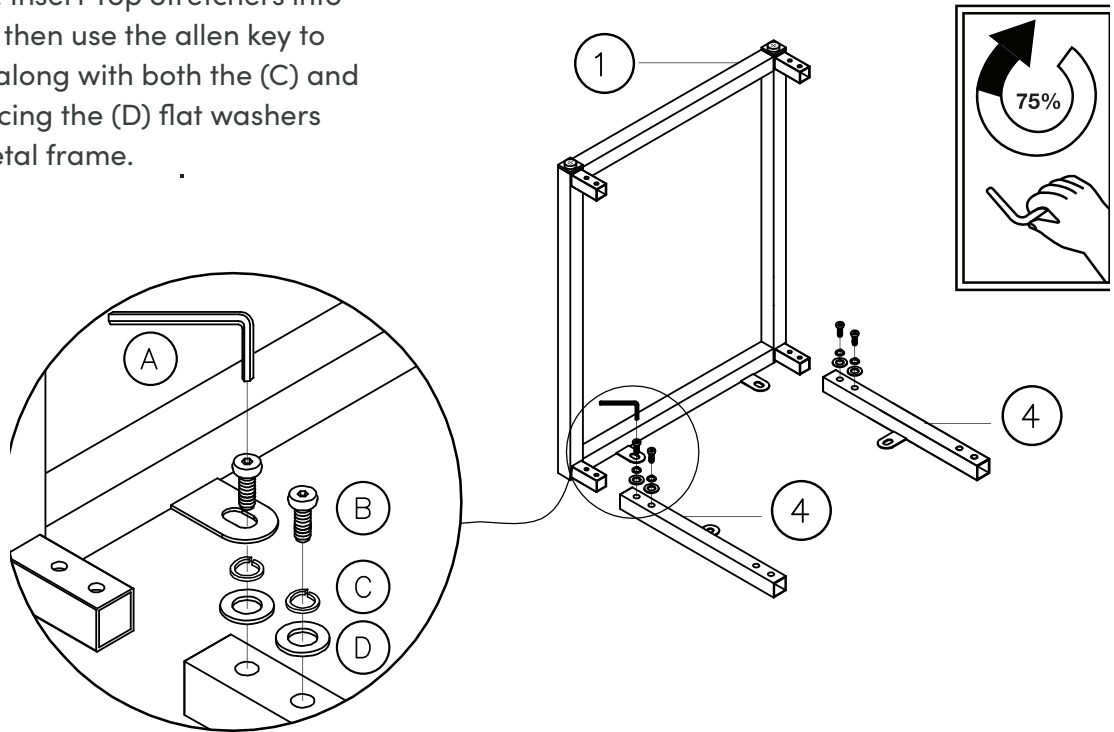
IMPORTANT

1. Do not tighten bolts / screws completely until all bolts / screws are lined up and inserted into holes.
2. Do not over tighten screws and bolts to avoid stripping.
3. Please use hand tools to assemble this product. Do not use power tools.



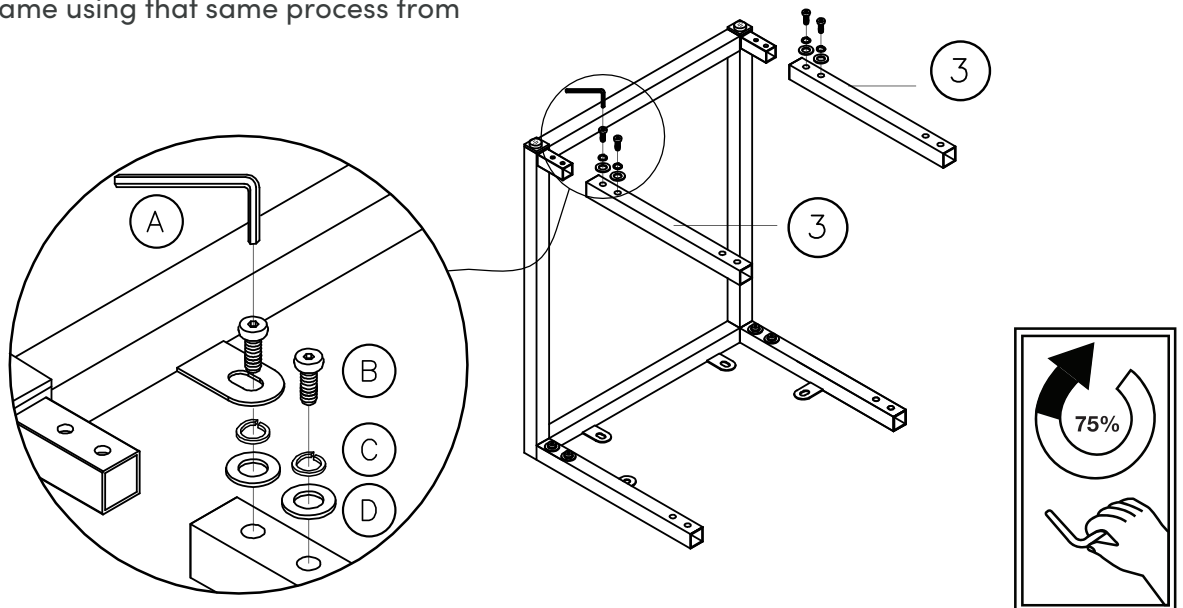
Step 1

Let's get started! Insert Top Stretchers into the Back Frame, then use the allen key to secure (B) bolts along with both the (C) and (D) washers, placing the (D) flat washers closest to the metal frame.



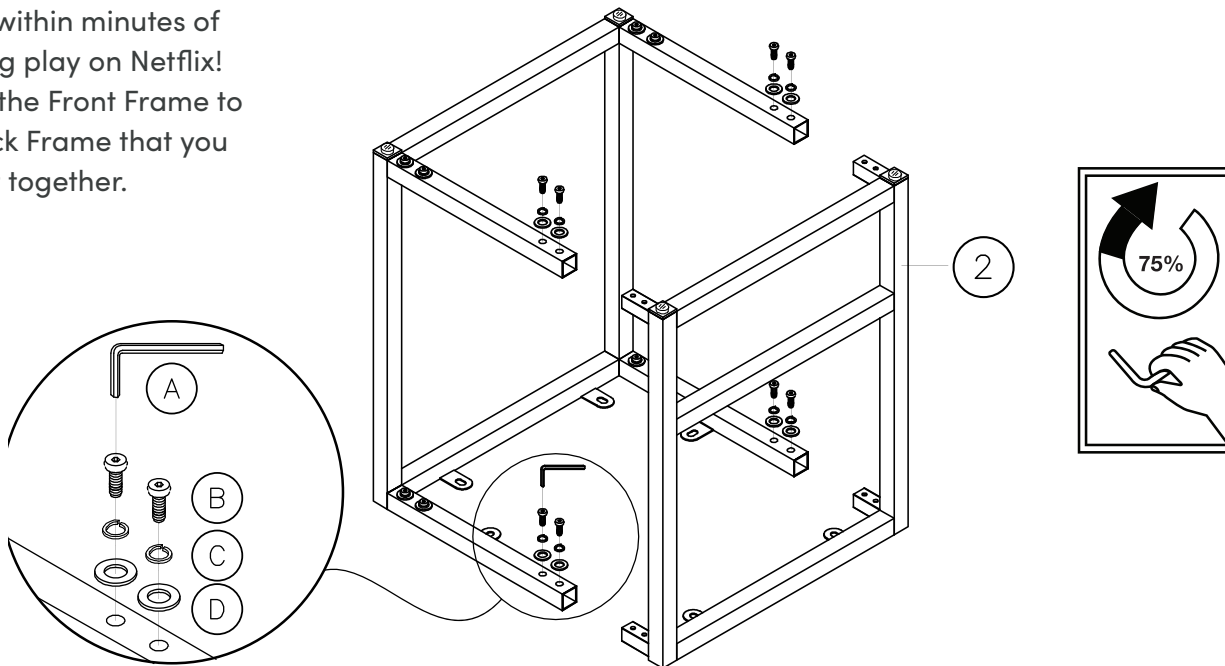
Step 2

I know...we're thinking the same thing, I'm hungry. Luckily, this assembly is very easy and will be done in no time. Now it's time to insert the Bottom Stretchers into the Back Frame using that same process from



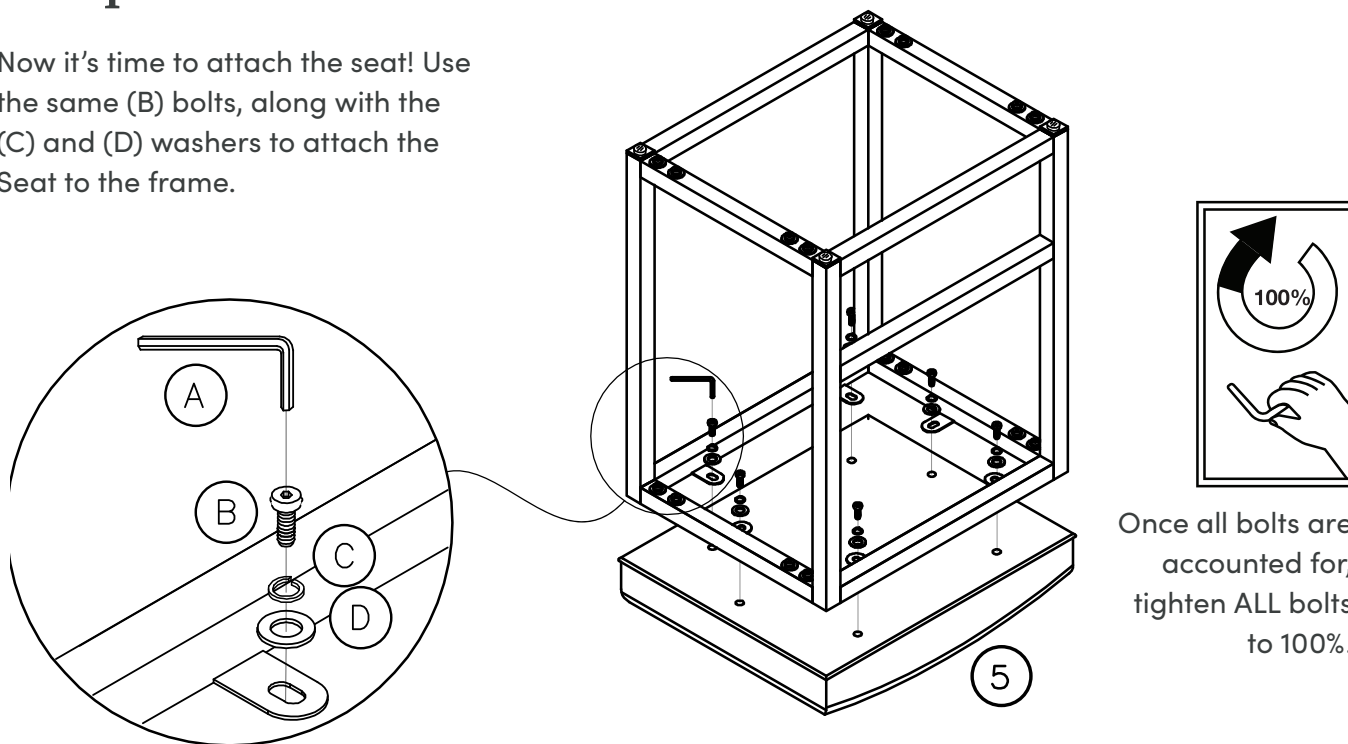
Step 3

You're within minutes of pressing play on Netflix! Attach the Front Frame to the Back Frame that you just put together.



Step 4

Now it's time to attach the seat! Use the same (B) bolts, along with the (C) and (D) washers to attach the Seat to the frame.

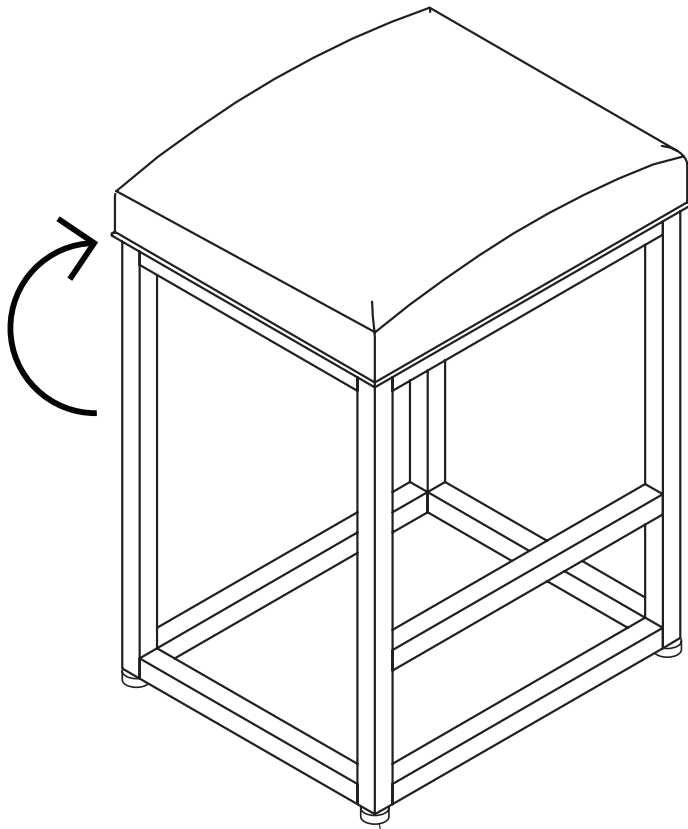


Once all bolts are accounted for, tighten ALL bolts to 100%.



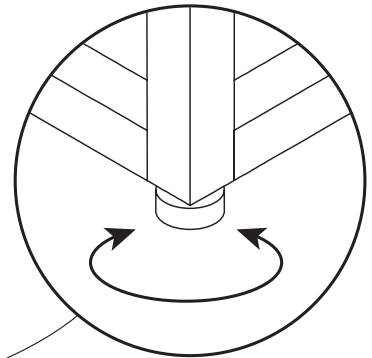
Step 5

Flip it over and take a seat!



Wobbly or unlevel?

Adjust feet until stable!



No heartburn, when we handle the return

Give us a call **1-866-619-1004** or shoot us a message at **help@nathanjames.com** we will issue you a free replacement with **zero hassle**.

Our way



Give us a call



Replacement



You

Their way



Re-package item



Schedule pick up



Track package



Replacement



You

We really don't want you to go through the hassle of re-packaging your item and sending it back, because let's be honest...nobody has time for that.



Safety first, fun later

We want your Nelson Bar Stool to last as long as possible, so we recommend that you tighten the screws 2 weeks after assembly and for added safety check the tightness of all screws every 2 months.

For proper care and treatment of fabric & metal please check our website at NathanJames.com/products

Safe use of this product starts with you.

Use this Nelson Bar Stool responsibly with the primary concern for your safety. Follow assembly instructions carefully and inspect product upon receipt and each use.

Nathan James and its parent companies cannot be held legally responsible for any injuries or death resulted from failure to follow instructions or improper use of this product.

Do not modify the structure of this product in any way.

Our products have been tested to meet specific safety measures as they were originally intended to be sold. Any modifications will present the risk of creating significant safety issues which NJ will not be responsible for.

Proper use

- DO NOT** use for commercial purposes
- DO NOT** frolic on bar stool
- DO NOT** use bar stool as foot stool
- DO NOT** leave spilled liquid on seat
- DO NOT** use bar stool if damaged
- DO NOT** make temporary repairs



We are only in business if you're happy

For starters, thanks for being you.

☎ Toll-free at 1-866-619-1004

✉ Help@nathanjames.com

🌐 NathanJames.com/help

We do our best to ensure your furniture arrives without any problems, but occasionally mistakes happen—as humans we are imperfect beings. In the event that a part is damaged or missing, we will be more than happy to provide you with replacement part(s) for free.

Warranty

This product comes with a lifetime warranty from the date of purchase. Please use your phone to scan the QR code to register your product or visit <https://goo.gl/i9dk3q>



Did we do alright? Please spread the love!

If you are happy with your product, tell your friends and family about us or even better leave us a review online. Spreading the word gives us the opportunity to make more people happy and keep our prices low for your next purchase.

Brooklyn Burden

Founder, Nathan James

