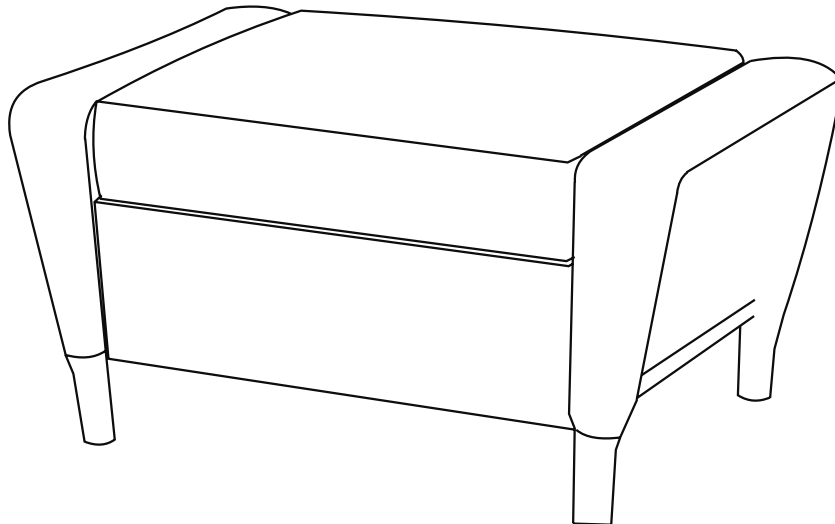




Item #
Model #

USE AND CARE GUIDE

CAMBRIDGE PATIO OTTOMAN WITH CUSHION



Questions, problems, missing parts? Before returning to the store,
call Hampton Bay Customer Service
8 a.m. - 6 p.m., EST, Monday-Friday

1-855-HD-HAMPTON

HAMPTONBAY.COM

THANK YOU

We appreciate the trust and confidence you have placed in Hampton Bay through the purchase of this ottoman. We strive to continually create quality products designed to enhance your home. Visit us online to see our full line of products available for your home improvement needs. Thank you for choosing Hampton Bay!

Table of Contents

Table of Contents	2	Pre-Assembly	3
Safety Information	2	Planning Assembly.....	3
Set Up Your Furniture Properly.....	2	Hardware Included.....	3
Examine Your Furniture.....	2	Package Contents.....	4
Observe Weight Limits.....	2	Assembly	5
Warranty	2	Care and Cleaning	6
What is Covered.....	2		
What is Not Covered.....	2		

Safety Information

SET UP YOUR FURNITURE PROPERLY

- Ensure that all parts are assembled properly and fully tightened as per the instructions.
- When placing in the desired location, ensure that all legs are resting on the same surface.

EXAMINE YOUR FURNITURE

- Examine occasionally to ensure that there are no loose parts. If loose parts are found, they must be re-tightened fully before additional use.

OBSERVE WEIGHT LIMITS

The weight limits for the following products are listed below:

- | | |
|-------------------------|--------------------------|
| □ Chair: 300 lbs | □ Sofa: 700 lbs |
| □ Swivel Chair: 300 lbs | □ Rocking Chair: 300 lbs |
| □ Loveseat: 500 lbs | □ Chaise Lounge: 300 lbs |
| □ Ottoman: 150 lbs | □ Dining Table: 100 lbs |
| □ Table: 50 lbs | □ Dining Chair: 200 lbs |



CAUTION: If you overload your furniture, injuries can occur.

Warranty

TWO YEAR FRAME, WEAVE AND FABRIC LIMITED WARRANTY

WHAT IS COVERED

We warrant the frame, weave and fabric to be free of manufacturing defects to the original purchaser for two years. For glass table top we warrant 30 days from the date of purchase.

WHAT IS NOT COVERED

This warranty does not cover commercial use, hardware, acts of nature, fire, freezing and abusive use. In addition, purchased parts are not covered under this warranty.

We reserve the right to make substitutions with similar merchandise, if the model in question is no longer in production.

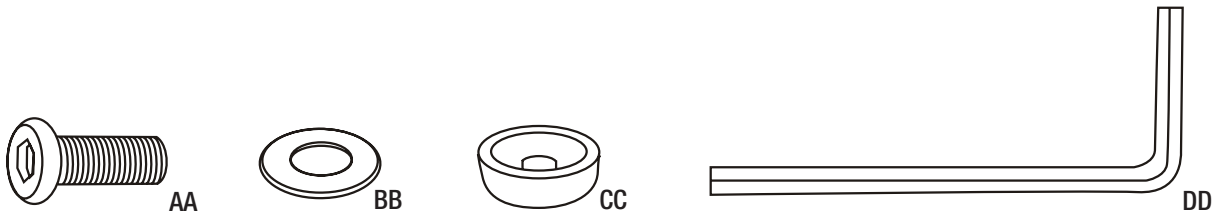
Contact the Customer Service Team at 1-855-HD-HAMPTON or visit www.Hamptonbay.com.

Pre-Assembly

PLANNING ASSEMBLY

To prevent damage, place all parts on a soft surface during assembly. Remove all protective caps before beginning assembly.

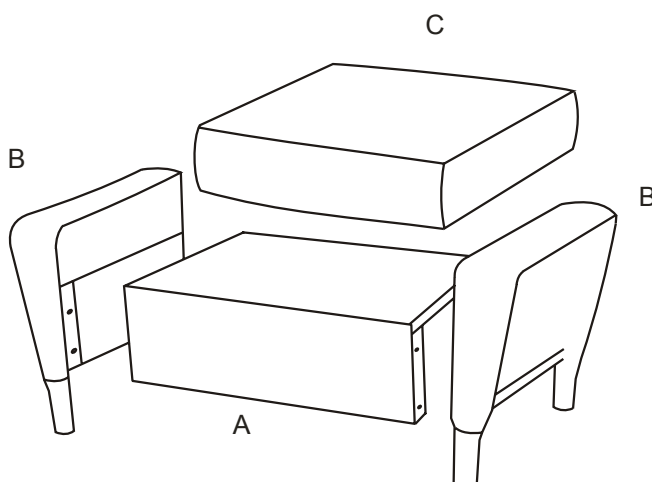
HARDWARE INCLUDED



Part	Description	Quantity
AA	Bolt ϕ 1/4x30mm	8
BB	Washer ϕ 6 mm	8
CC	Cap for bolt ϕ 6 mm	8
DD	Hex wrench 4 mm	1

Pre-Assembly (continued)

PACKAGE CONTENTS

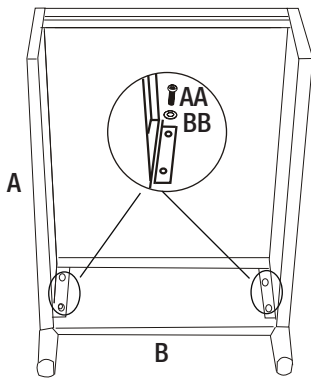


Part	Description	Quantity
A	Seat	1
B	Arm	2
C	Cushion	1

Assembly

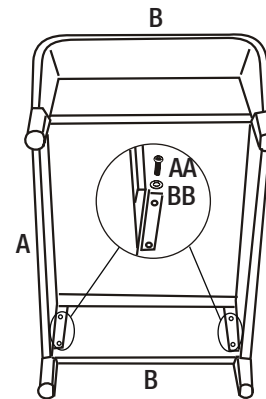
1 Attaching the arm to the seat

- Place one arm (B) on a soft surface.
- Attach the seat (A) to the arm (B) by aligning holes on the seat (A) with the holes on the arm (B) and inserting bolts (AA) with washers (BB). Tighten half way using the Hex wrench (DD) . Do not tighten completely.



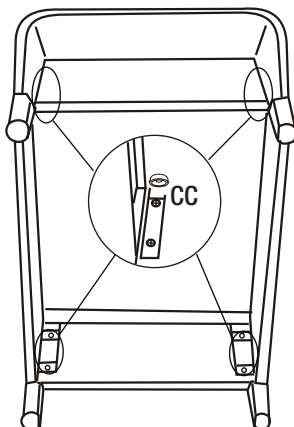
2 Attaching the other arm

- Repeat step 1 for the other arm.



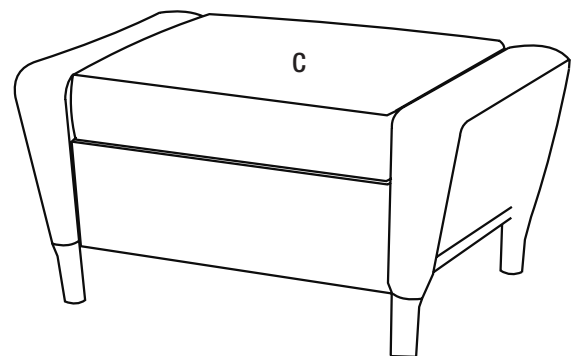
3 Adding the caps

- Check and make adjustments as needed.
- Fully tighten all the bolts (AA) with the Hex wrench (DD) and cover with the bolt caps (CC).



4 Completing the assembly

- Place the ottoman right side up.
- Place the cushion (C) on the ottoman. This ottoman is now ready for your enjoyment.



Care and Cleaning

- Before using, wipe with a clean, dry cloth. Do not use bleach or solvents. When not in use, store furniture in a cool, dry place.
- If your set includes cushions or mesh fabric, they may be cleaned by hand with a mild solution of soap and water. Rinse cushion thoroughly and allow to drip dry. Do not machine wash or tumble dry, as cushions may shrink.
- Do not use bleach or solvents on fabrics. When cleaning the table top make sure to use a soft, clean cloth that does not bleed color as well.



Questions, problems, missing parts? Before returning to the store,
call Home Depot Customer Service
8 a.m. - 6 p.m., EST, Monday-Friday

1-855-HD-HAMPTON

HAMPTONBAY.COM

Retain this manual for future use.