



VEVOR®

CLAMP ON PALLET FORKS

Fork Length 42.91"
Total Length 58.7"
4000 LB Capacity

1490 mm Clamp on Pallet Forks

Coated Surface & Deformation Resistance & Corrosion Resistance



- If you are looking for high-quality fork attachments for your tractor, our clamp-on pallet fork applied widely is a perfect assistant for your daily farm work. These pallet forks with an adjustable stabilizer bar have 4000 lbs load-carrying capacity, allowing you to handle debris around your workplace easily.
- 1800 kg Loading Capacity
- High Compatibility
- Easy to Assemble & Use
- 600-1150 mm Adjustable Width
- Security & Durable Structure

VEVOR®

Tough Equipment & Tools, Pay Less

VEVOR is a leading brand that specializes in equipment and tools. Along with thousands of motivated employees, VEVOR is dedicated to providing our customers with tough equipment & tools at incredibly low prices. Today, VEVOR has occupied markets of more than 200 countries with 10 million plus global members.

Why Choose VEVOR?

- Premium Tough Quality
- Incredibly Low Prices
- Fast & Secure Delivery
- 30-Day Free Returns
- 24/7 Attentive Service

4000 LBS WORKING CAPACITY



Capacity
4000 lbs
MAX

EASY STEPS TO INSTALL

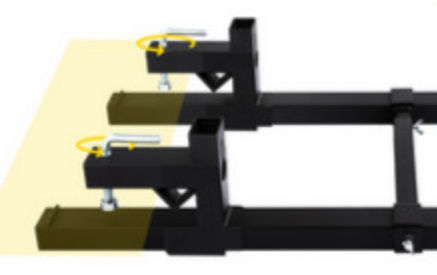
Step 1

Slide the fork into the edge of the bucket.



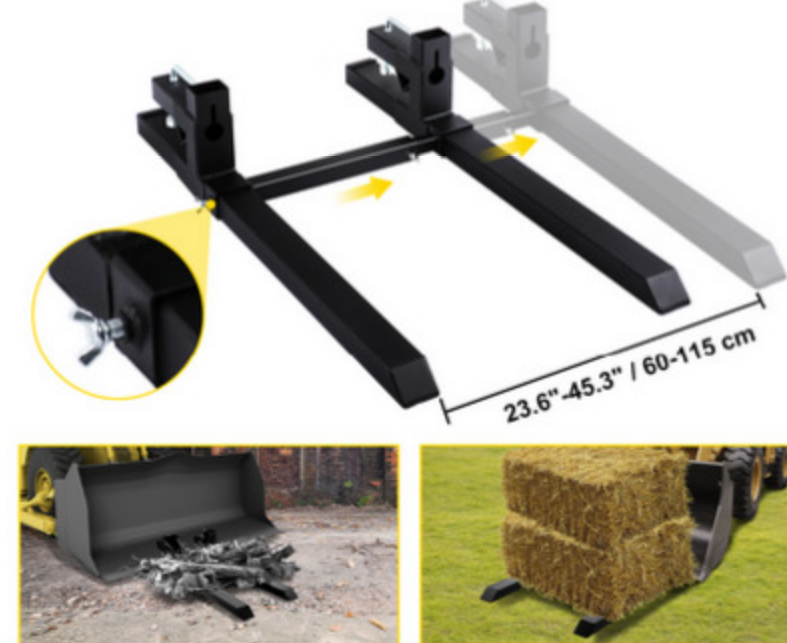
Step 2

Twist the screw rod and clamp it down to lock.



ADJUSTABLE STABILIZER BAR

Prevent spreading apart & add stability



1800 kg Working Capacity

Our clamp-on pallet forks can hold loads up to 4000 lbs, which means it can be applied to both agricultural and industrial sites.

Easy Installation

It's easy to use. Slide the fork over the cutting edge of the bucket, and clamp it down to lock.

Adjustable Stabilizer Bar

It is convenient to prevent your forks from spreading apart and adjust the distance from 600 mm to 1150 mm (Width).

USAGE CAUTION

Note: Please put the loads behind the pallet so as not to damage the bucket.



STABLE STRUCTURE

- ▶ Coated Steel Material
- ▶ Corrosion Resistance
- ▶ Seamless Welding
- ▶ Thickened Bottom



Screw Nut for Firm Fixing

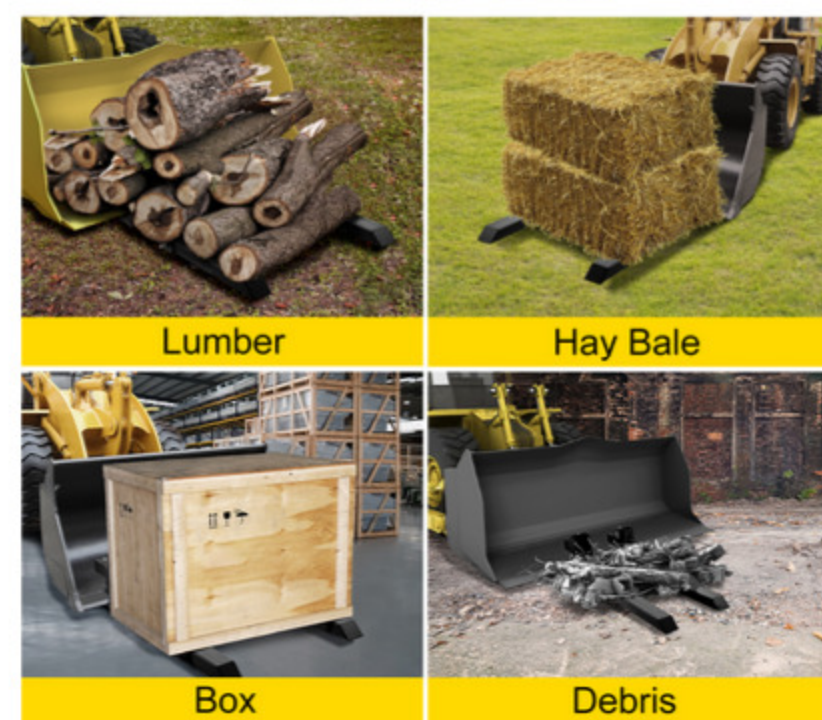


Force Divider for Stronger Capacity



Chain Holes for Secure Lifting

VERSATILE USES



Usage Caution

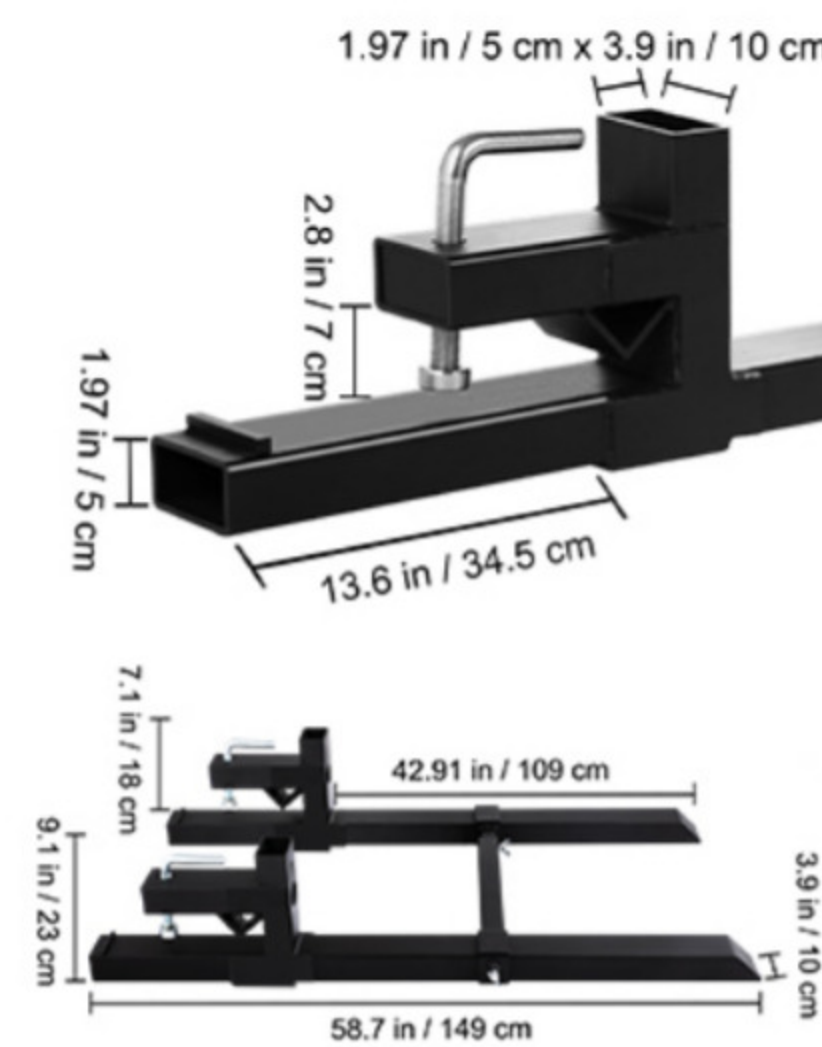
It is recommended that you should choose the right pallet fork according to your tractor's bearing capacity and place the loads back during use.

Stable Structure

The pallet fork is constructed of all-steel structure, seamless welding technology and a force divider, ensuring stability and durability.

Versatile Uses

Perfect for fitting most loaders, tractors, and skid steers. It allows you to easily move fence posts, hay bales and clear debris around your workplace.



Specifications

- Model: C-4000LB
- Material: Heavy Duty Steel
- Load Capacity: 4000 lbs / 1800 kg
- Overall Length: 58.7" / 1490 mm
- Fork Length: 42.9" / 1090 mm
- Fork Width: 3.9" / 100 mm
- Fork Height: 1.97" / 50 mm
- Adjustable Stabilizer Bar: 23.6"-45.3" / 600-1150 mm
- Weight: 80 lbs / 36.3 kg



Package Content

- 2 x Pallet Forks
- 1 x Adjustable Stabilizer Bar

Specification

Model	C-4000LB	Material	Heavy Duty Steel
Load Capacity	4000 lbs / 1800 kg	Overall Length	58.7" / 1490 mm
Fork Length	42.9" / 1090 mm	Fork Width	3.9" / 100 mm
Fork Height	1.97" / 50 mm	Adjustable Stabilizer Bar	23.6"-45.3" / 600-1150 mm
Weight	80 lbs / 36.3 kg		