

# Chambers®

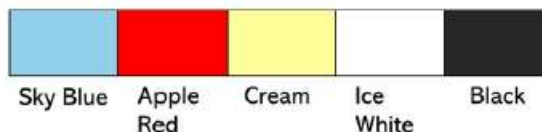
## VINTAGE SERIES REFRIGERATORS

### MRS330-09

Single Door Fridge and Freezer



The Chambers Vintage Retro Single Door Fridge Freezer is an updated twist on the iconic 50's style. The timeless design cues like the rounded corners and the nostalgic chrome handle accent makes a stunning visual statement in home or office. While it doesn't take up a lot of space, the extra height adds lots of refrigerator space and a convenient freezerette to make this a truly functional addition to your space. With a commercial design heritage this is a solidly built fridge. Available in a range of designer and retro colors, this really goes beyond the ordinary.



#### Key Features

- ✓ Retro style
- ✓ Available in 5 colors
- ✓ Metal handle
- ✓ One-piece metal Wrapped cabinet
- ✓ Low noise compressor
- ✓ LED lighting
- ✓ Heavy duty construction
- ✓ 4 adjustable glass shelves

#### Other Features

- ✓ Wine Rack
- ✓ Full width crisper drawer
- ✓ 4 door shelves (3 adjustable)
- ✓ 2 year limited warranty \*\*

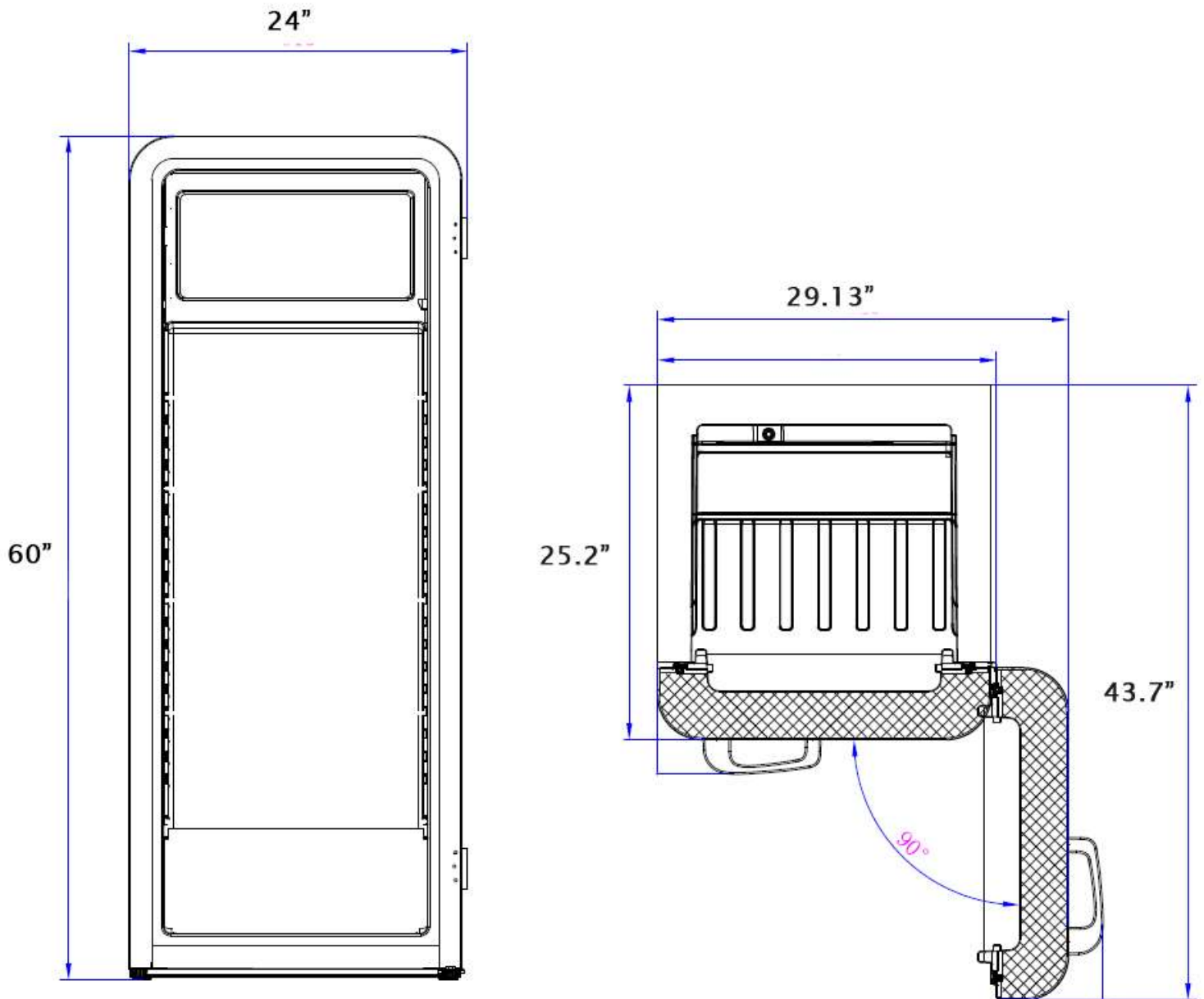
#### Assembled Dimensions

Height: 60"  
Width: 24"  
Depth: 25.2" excluding handle  
Weight: 128 LBS



# Chambers<sup>®</sup>

## VINTAGE SERIES REFRIGERATORS



J.A.K. NORTH AMERICA  
PO Box 775501  
Sheppard Plaza  
Downsview, ON, M3H 6A7  
CANADA

[CHAMBERS-APPLIANCES.COM](http://CHAMBERS-APPLIANCES.COM)

CONTACT: [ROB@JAKAG.COM](mailto:ROB@JAKAG.COM)  
1-866-525-5251 EXT. 702

\* Specifications subject to change  
without notice

\*\* See website for details