

# Installation & Care Guide

**Italia Collection**

By DGB Enterprises LLC  
www.italiabath.com  
info@dgbproducts.com

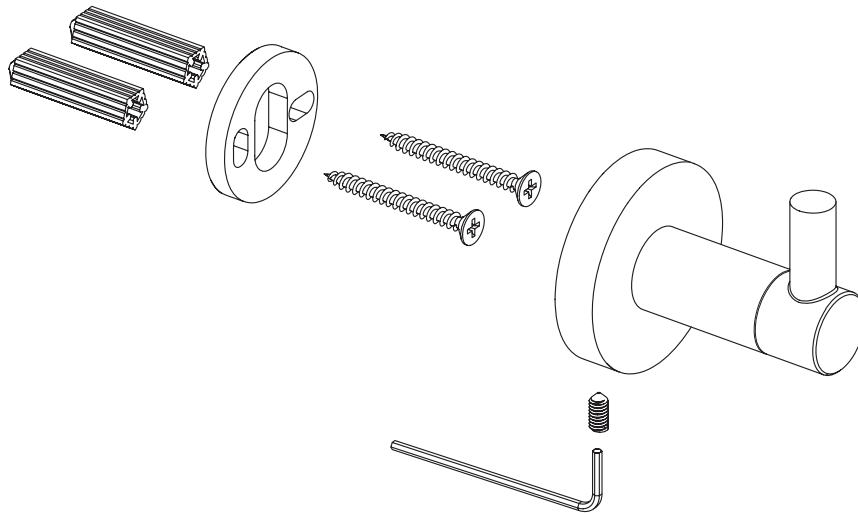
## Italia Robe Hook

Image featured: **VE2702**

### Tools & Hardware

#### Hardware Included:

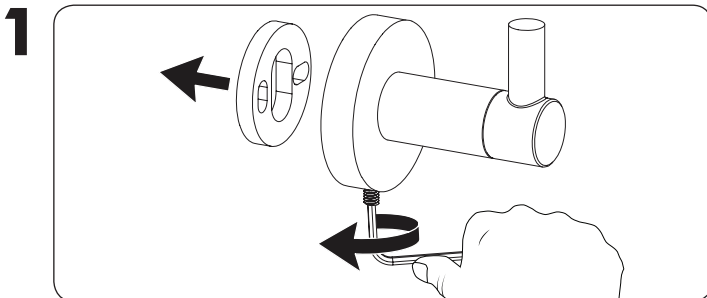
- 1 x Allen Wrench
- 2 x Plastic Wall Anchors
- 2 x Mounting Screws
- 1 x Mounting Bracket Plate  
*(Located pre-installed in item. Must be removed prior to installation).*
- 1 x Set Screws  
*(Located pre-installed in item. Must be loosened to remove the mounting plate prior to installation).*



#### Tools required:

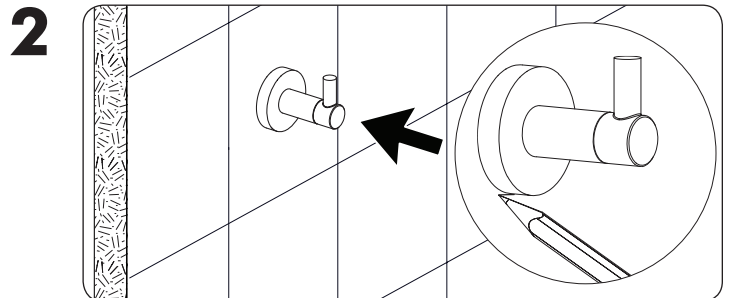


### Installation Instructions



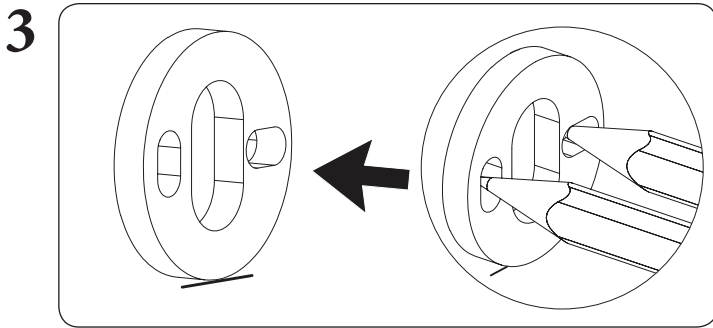
1 Remove mounting plate from back of robe hook.

**a.** Use the provided allen wrench to loosen set screw on bottom of the robe hook to remove the mounting plate.

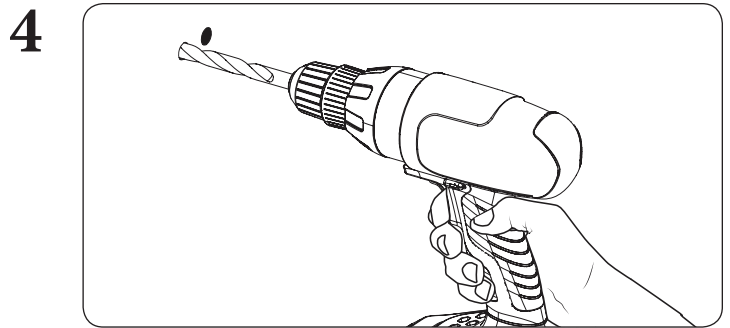


2 Level and mark position of the robe hook on the wall.

**a.** If mounting into ceramic or tile, place masking tape on the mounting areas before marking the location to prevent the drill from slipping and damaging the tile.

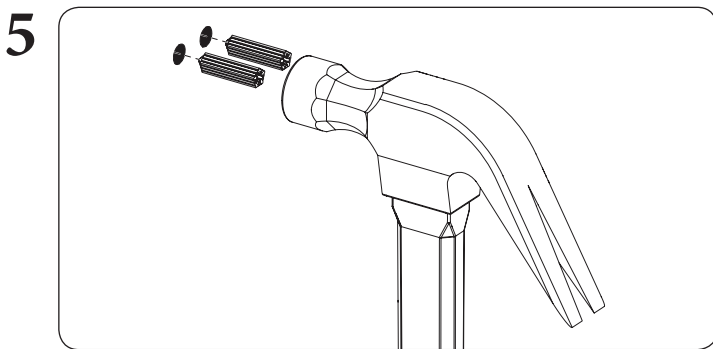


Place mounting plate on the wall and mark position of the holes in the mounting plate.



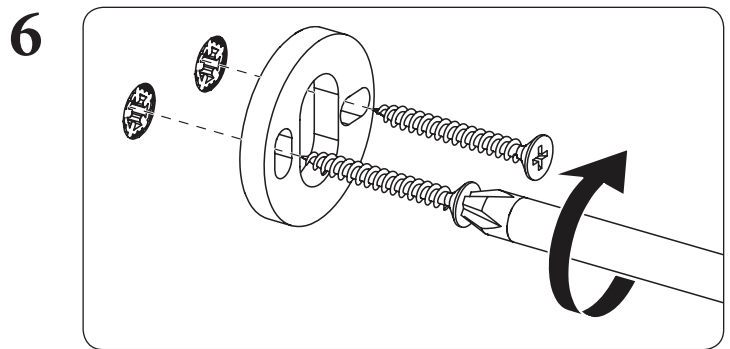
Drill holes in using 1/4" drillbit.

- a. Mounting into wood studs is recommended;
- b. If mounting into tile use a masonry stone drillbit.



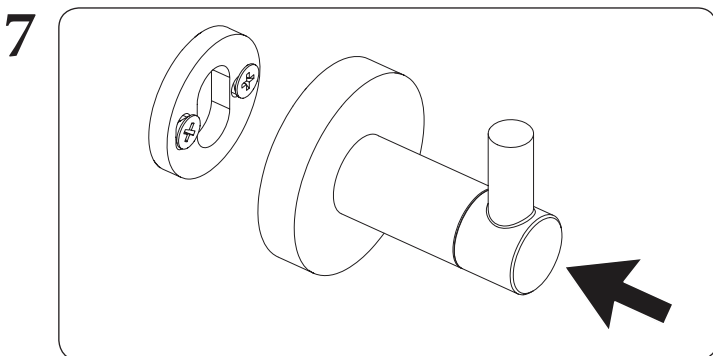
Insert provided anchors if mounting into drywall. Anchors not necessary if mounting into wood studs.

- a. **Optional:** Use a dab of caulking on the wall anchors for a better hold;
- b. If drilling into tile use masonry wall anchors (not included).

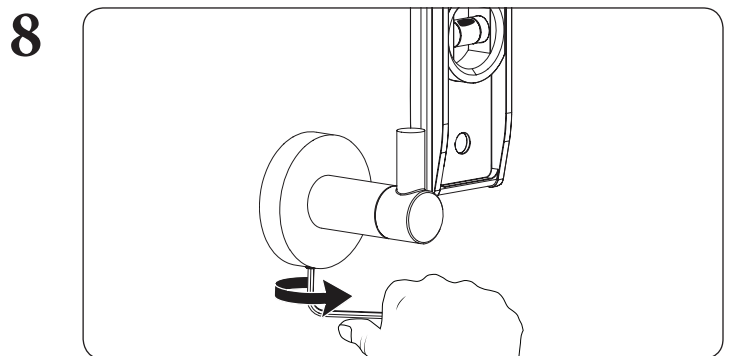


Install the mounting plate with the provided screws.

- a. The flange side should be facing out;
- b. **Optional:** Use a dab of caulking on the back of each mounting disc for a better hold.



Place the robe hook over the mounting plate with the set screw on the bottom.



Use the provided allen wrench to adjust the set screw to lock into place with the mounting bracket.

### Care Instructions

Use a soft cloth or sponge with water, then dry with a soft cloth. Avoid detergents, abrasive cleaners, solvents, steel and bronze wool.

Visit <https://youtu.be/2NOdXiNzMic> for an easy to follow installation video.

Contact [info@dgbproducts.com](mailto:info@dgbproducts.com) for questions or further information