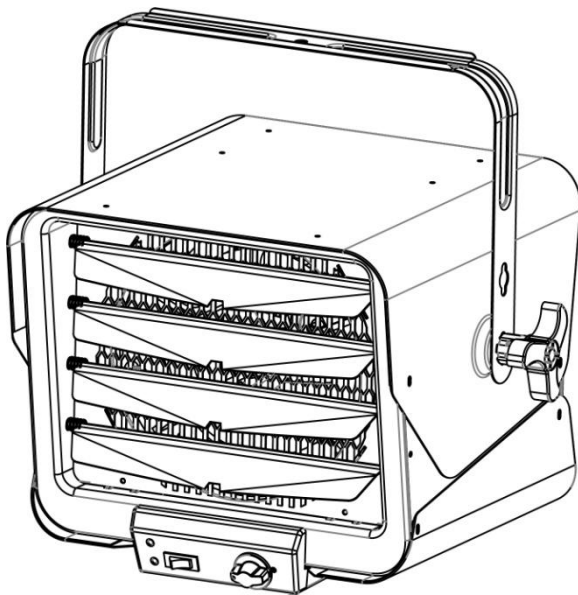




## WALL/CEILING MOUNT HEATER

### OWNER'S MANUAL



**Model No.: DR-966**  
6000W 240V 60HZ

**IMPORTANT INSTRUCTIONS  
READ & SAVE**

# TABLE OF CONTENTS

Important Instructions .....	3-4
Installation Instructions .....	5-8
Specifications and Wiring Diagram.....	9
Parts of the Heater .....	10
Operating Instructions.....	11-13
Maintenance and Cleaning .....	14
Troubleshooting .....	15

# IMPORTANT INSTRUCTIONS

PLEASE READ ALL INSTRUCTIONS BEFORE USING THIS HEATER

**NOTE:** There may be a trace of smoke or odor when unit is first operated. Don't be alarmed. This indicates that a drop of oil fell on the heating coil during the manufacturing process. It will quickly evaporate and should not recur.

**Make sure that the room in which the appliance is located is well ventilated during this operation. It is normal for the appliance to emit small crackling sounds when you turn it on for the first time. Do not be alarmed.**

WHEN USING ELECTRICAL APPLIANCES, BASIC PRECAUTIONS SHOULD ALWAYS BE FOLLOWED TO REDUCE THE RISK OF FIRE, ELECTRICAL SHOCK, AND INJURY TO PERSONS AND/OR PROPERTY. THESE INCLUDE THE FOLLOWING:

1. Read all instructions before using this heater.
2. This heater is hot when in use. To avoid burns, do not let bare skin touch hot surfaces. Keep combustible materials, such as furniture, pillows, bedding, papers, clothes, and curtains at least 3 feet (0.9 m) from the front of the heater and away from the sides and rear.
3. Extreme caution is necessary when any heater is used by or near children or the physically challenged and whenever the unit is operating and unattended.
4. Always switch off the heater when not in use.
5. Do not operate any heater after it malfunctions, or has been dropped or damaged in any manner. Disconnect the power at the service panel and have the heater inspected by a certified electrician before use.
6. Do not use outdoors.
7. To disconnect heater, turn off the power to the heater circuit at the main circuit breaker panel.
8. Do not install less than 6 feet (1.8 m) high from the floor and closer than 1 foot (0.3m) to any adjacent vertical surfaces or walls. Keep at least 4.5 inches (0.12m) from the back wall (with or without using the wall hanging mounting bracket).
9. Do not insert or allow foreign objects to enter any ventilation or exhaust opening as this may damage the heater and/or cause an electric shock or fire.

10. To prevent a possible fire, do not block air intakes or exhaust in any manner.
11. This heater has hot/arcing or sparking parts inside. To reduce the risk of fire, do not use the unit in areas where gasoline, paint, or flammable liquids are used or stored.
12. Use this heater only as described in this manual. Any other use not recommended by the manufacturer may cause fire, electric shock, or injury to persons.
13. This product must be installed by a certified electrician, in accordance with local codes.
14. For supply cables, use 8-2 or 8-3 AWG (8.4 mm<sup>2</sup>) copper wires.
15. This heater includes a visual alarm to warn that parts of the heater are getting excessively hot. If the alarm flashes, immediately turn the heater OFF and inspect for any objects on or adjacent to the heater that may cause high temperatures. **DO NOT OPERATE THE HEATER WITH THE ALARM FLASHING.** To reset the heater, switch the CIRCUIT BREAKER OFF and wait five to ten minutes for the unit to cool down before turning the heater back on.

## SAVE THESE INSTRUCTIONS

**WARNING – RISK OF FIRE, DO NOT USE AS A RESIDENTIAL OR HOUSEHOLD HEATER.**

# INSTALLATION INSTRUCTIONS

**WARNING:** All wiring must be installed by a certified electrician in accordance with electrical safety standards.

The ceiling heater must be grounded in accordance with all national and local building codes.

**WARNING:** To reduce the risk of fire, do not store or use gasoline or other flammable vapors and liquids in the vicinity of the heater.

**All wiring procedures and connections should be in accordance with local codes and ordinances.**

**NOTE: Compatible with a 240V Line Voltage Double Pole Wall Thermostat. Must be installed by a certified/licensed electrician.**

## **Before installation:**

Disconnect the main supply connection.

Supply cables should be 8-2 AWG (8.4 mm<sup>2</sup>) copper wires.

The heater must be connected to an individual branch circuit protected by a 35 amp circuit breaker.

Supply cables must be equipped with a dual pole circuit breaker rating of at least 240V 35 A/pole as the main cut-off switch of power to the heater.

## **Tools/ Materials Needed (Not Included):**

- Regular Screwdriver Set
- Spanner
- Impact Drill with 12mm Drill Bit

## **Recommended Accessories:**

- DR-001: Thermostat

## **Unpacking Contents:**

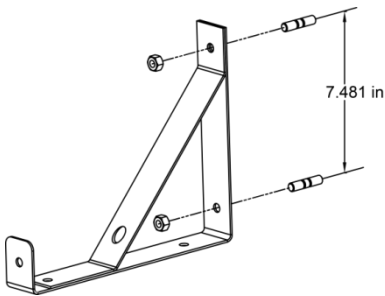
- Heater
- Owner's Manual
- Warranty Card
- Screw Kit
- Heater Handle
- Mounting Bracket
- Tilt Adjustable Knob x 2

Screw Kit Contents	
Qty	Description
2	M10 Explosion Screw
1	M10x60mm Screw
1	M10 Nut
2	Φ10 Washer
1	Φ10 Spring Washer
2	Φ10 Rubber Pad

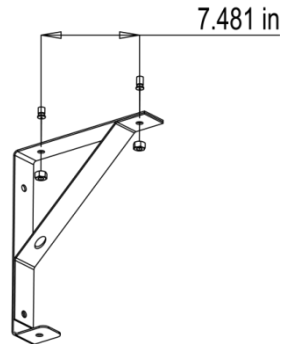
**WARNING:** To reduce the risk of fire, do not store or use gasoline, paint or other flammable liquids (with vapors) and in the vicinity of the heater.

### INSTALLATION INSTRUCTION:

1. Keep the heater at least 6 feet (1.8 m) from the floor. This minimum distance must be maintained.
2. Do not install closer than 1 foot (or 0.3 m) to any adjacent vertical surfaces or walls.
3. Keep at least 4.5 inches (0.12m) from the back wall (with or without using the wall hanging mounting bracket).
4. Mark the drill-hole positions in the wall or ceiling for the mounting bracket.
5. Drill the required holes with the diameter that fits the anchor provided for positioning the mounting bracket.
6. Insert the anchors.
7. Attach the mounting bracket to the wall or ceiling and secure with mounting screws.

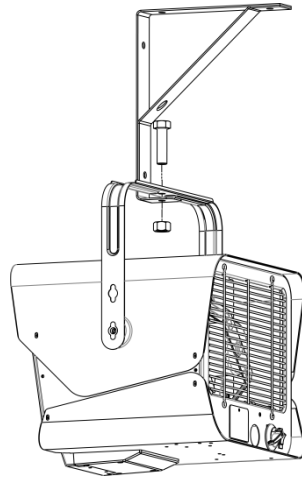
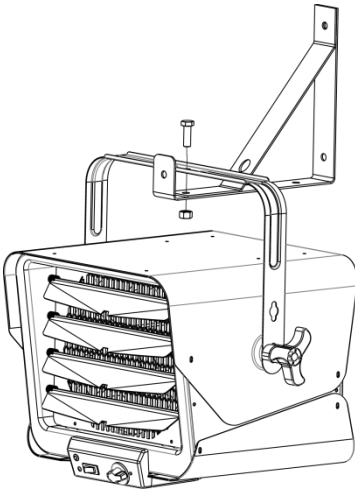


WALL MOUNT

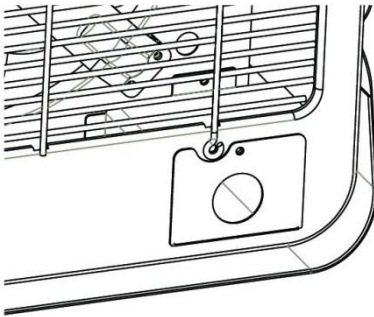


CEILING MOUNT

8. Hook the unit to the mounting bracket and let the unit hang from the mounting bracket.
9. Insert the screw through the mounting bracket and the heater handle, and tighten the nut.

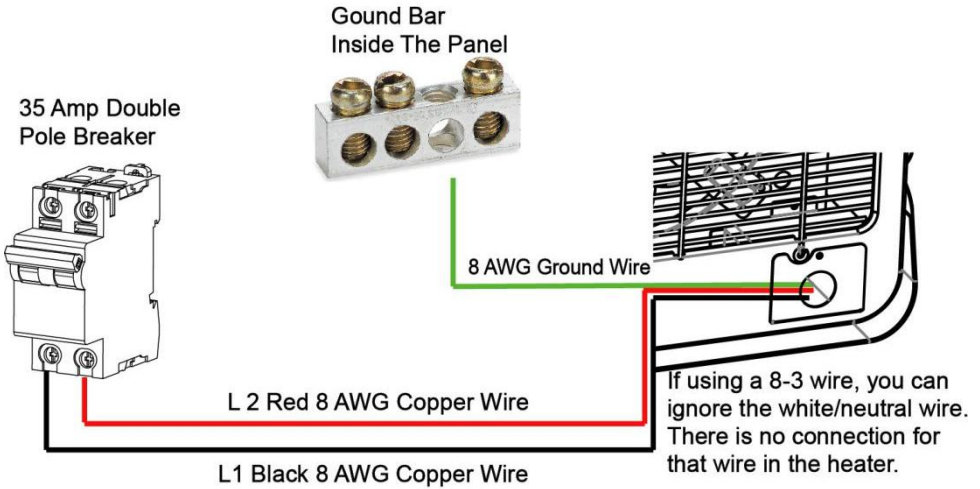


10. Loosen the screw to remove the wiring compartment/connection cover in the rear of the heater.



11. Run the electrical power supply cable in flexible conduit and connect to the wiring compartment via the knock-out at the back of the unit.
12. Make the connections properly with connectors suitable for the conductor size, including grounding wiring. After making the connections, arrange the pigtail leads of unit and power supply wires in the wiring compartment.

13. Replace the wiring compartment/connection cover and lock in place with the screw.



**35 Amp , 240 Volt Wire Connection Diagram**



# SPECIFICATIONS

## Wall/Ceiling Mount Heater

Model No: DR-966

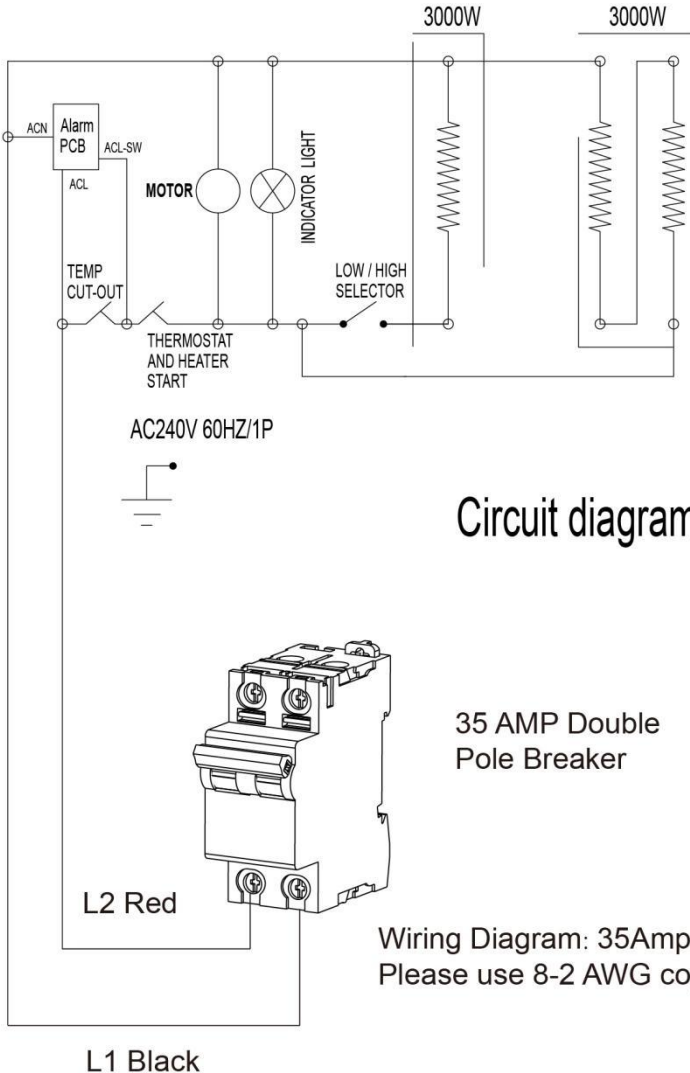
Voltage: 240V

Watts: 6000W

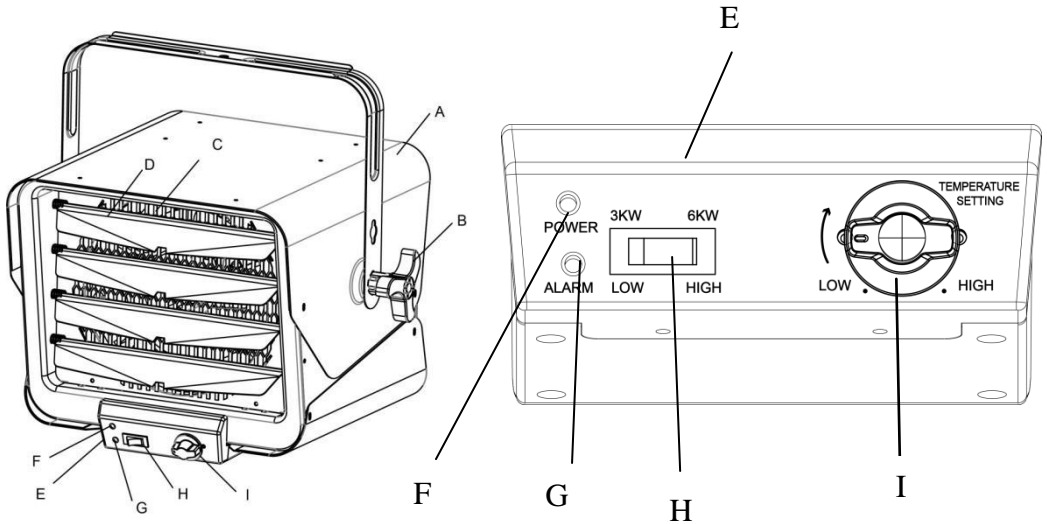
Frequency: 60Hz

BTU/h: 20472

Recommended Heating Capacity: 1.25 watts / ft<sup>3</sup> (0.03 m<sup>3</sup>)



# PARTS OF THE HEATER



- A. Upper enclosure
- B. Tilt adjustable knob
- C. Front exhaust grille
- D. Louver for air direction
- E. Control panel
- F. Power indicator
- G. Alarm LED
- H. Setting switch (High/Low)
- I. Temperature setting knob

# OPERATING INSTRUCTIONS

**WARNING!** The heater must be properly installed before use.

## **HAZARD OF ELECTRIC SHOCK, EXPLOSION OR ARC FLASH:**

- **Apply appropriate personal protective equipment (PPE) and follow safe electrical work practices. See NFPA 70.**
- **A circuit breaker must be installed and serviced only by a certified electrician.**
- **Always use a properly rated voltage sensing device to confirm that the power is OFF.**

**The HIGH/LOW switch on the heater is only for setting selection. Use the circuit breaker as the Power ON/OFF switch for the heater. The circuit breaker is to be installed by a certified electrician and should be located in line-of-sight from the heater location, or it should be capable of being locked in the open position. Follow the operating instructions to reduce the risk of fire, electric shock, injury, or death.**

- **To turn on the heater, switch on the circuit breaker. Then turn the thermostat to the farthest clockwise position. The fan should start, the unit will begin heating the room, and the lamp will light. After the room reaches a comfortable level, turn the thermostat counterclockwise until the heater shuts off. The heater will cycle automatically around this preset temperature. To increase the temperature, turn the thermostat knob clockwise. To lower the temperature, turn the thermostat counterclockwise.**
- **Toggle the HIGH/LOW switch to change the heat setting.  
HIGH: 6000W  
LOW: 3000W**
- **Select a thermostat setting.**

Ambient temperature is regulated by adjusting the thermostat to a desired position. Allow the unit to operate and warm up the room. When the desired temperature is reached, turn the control knob counterclockwise until the heater turns off. This is your ideal setting. The heater will start automatically when the room temperature drops below this set point, and will turn off when the set point is reached.

- **To turn off the heater, switch off the circuit breaker. The circuit breaker serves as the only means of disconnecting power from the heater.**
- This heater includes a visual alarm to warn that parts of the heater are becoming excessively hot. If the alarm flashes, immediately turn the heater OFF and inspect for any objects on, in, or adjacent to the heater that may cause high temperatures. **DO NOT OPERATE THE HEATER WITH THE ALARM FLASHING.** To reset the heater, switch the circuit breaker OFF, and wait five to ten minutes for the unit to cool down before turning the heater on again.
- **How to install Wall Thermostat. (DR-001 Not Included.)**
  1. Install the Thermostat Outlet Box to the wall. Open the knock-out on the right.



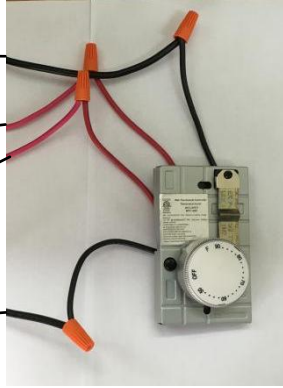
2. Run line voltage wires to the thermostat location via the knock-out. Connect the wires as below image:

Connect to the Heater ←

Connect to the Power Cord ←

Connect to the Power Cord ←

Connect to the Heater ←



3. Insert wires into the Thermostat Outlet Box, and screw up the thermostat.



4. Cover the thermostat.



# MAINTENANCE AND CLEANING

There are no user-serviceable parts inside this heater except regular cleaning as described below. All other servicing or maintenance should be performed by qualified service personnel.

Before any cleaning, make sure that:

1. The power supply is disconnected at the source. **Switch off the circuit breaker.**
2. Wait for 60 minutes to ensure the heating coil has cooled. Your heater now will be ready for cleaning.

## Regular Cleaning

1. Do not spray cleaning liquid or other chemicals on the unit.
2. Interior dust can often be removed by using a vacuum cleaner with a crevice tool attachment.
3. To clean enclosure, use a clean, soft, lightly damp cloth to gently wipe off the dirt from the surface of the unit. Make sure that the heating coil and the switches do not get wet. Allow the unit to dry completely before use.

**CAUTION: DO NOT ALLOW WATER INTO THE INTERIOR OF THE HEATER AS THIS MAY CAUSE A FIRE OR AN ELECTRICAL HAZARD AND DAMAGE THE UNIT.**

# TROUBLESHOOTING

If your heater fails to operate, please follow the procedures below.

This heater is intended to be a ceiling-mounted heater. It has a thermal cut-off protection feature. **If the thermal cut-off protection trips, switch OFF the circuit breaker.** The unit should reset automatically after 10 minutes. If the thermal cut-off protection trips again, consult a certified electrician to determine the reason for overheating.

Problem	Probable Cause	Solution
Unit is not heating	Overheat protection has temporarily deactivated the heater.	Turn the heater OFF. <b><u>Switch OFF the circuit breaker.</u></b> Wait 10 minutes before turning on the heater.
	Room temperature has warmed to thermostat setting.	To increase room temperature, adjust the thermostat control knob to a higher setting.
	Breaker/Fuse has been tripped.	Check your electrical box to confirm the breaker has not been blown. This might occur if the receptacle is shared between other high-consumption appliances.
Unit produces a burning smell	Check & ensure there are no combustible materials within 0.9 meters (3 feet) surrounding the heater.	Remove any combustible items from the heater.
	A drop of oil fell on the heating coil during the manufacturing process. It will quickly evaporate and should not occur again.	Ensure room containing the heater is well ventilated.
	Ensure a minimum clearance of 1ft (12 inches) from both sides, and 4.5 inches from the back.	Reposition the heater so there is enough space between the heater and the adjacent walls.

**PLEASE DO NOT ATTEMPT TO OPEN OR REPAIR THE HEATER YOURSELF. DOING SO COULD CAUSE HEATER DAMAGE OR PERSONAL INJURY.**

## How long is the warranty?

This heater comes with a ONE-YEAR LIMITED COMPONENT WARRANTY. If your unit does not appear to be working properly, please contact our service center by calling 1-800-317-1688. Prior to your call, we encourage you to visit our service related website [www.DrHeaterUSA.com](http://www.DrHeaterUSA.com) for troubleshooting tips and service instructions if needed.

## Warranty Information

Register your product at our website:



Or visit [DrHeaterUSA.com/register-your-heater](http://DrHeaterUSA.com/register-your-heater)

## Feedback

Love it? Help us make the product more for you.



Let us know with a customer review.

Please visit: <https://www.amazon.com/review/review-your-purchases#>

At [Dr. Heater USA](http://Dr.Heater.USA), we are committed to bringing top quality alternative & supplemental heating products to our customers.

Dr. Heater USA  
860 Mahler Road  
Burlingame, CA 94010  
Tel: 1-800-317-1688

EMAIL: [SERVICE@DRHEATERUSA.COM](mailto:SERVICE@DRHEATERUSA.COM)

 Dr Heater USA

 @DrHeaterUSA

 Dr. Heater USA



