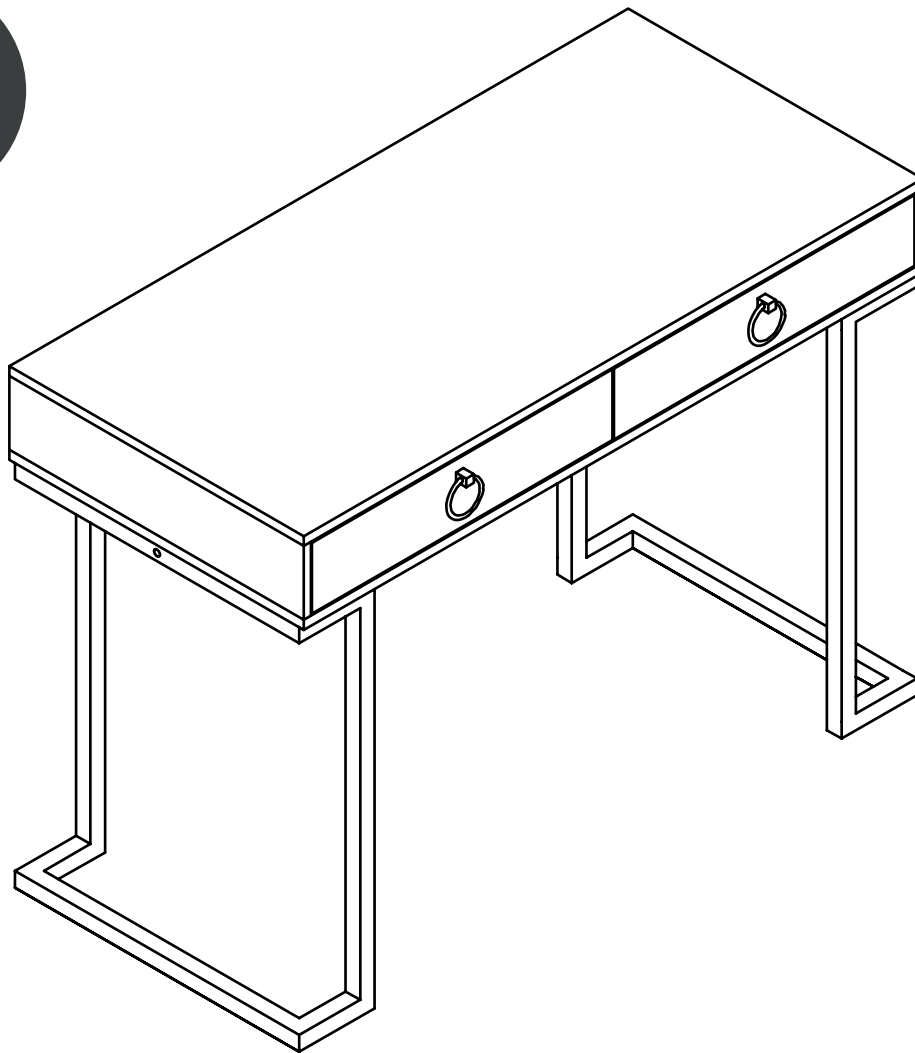


Let's build the

# Leighton Desk



**Scan me!**

Inspiration  
Digital Instructions  
Free Lifetime Warranty

nathan james

# Ok, let's get rolling

This should be easy, just follow our instructions and you will be back to Netflix in no time.

## Estimated time for assembly



70:00

## What you need

- Some of your favourite bubbly or your preferred relaxant
- Use the packaging carton as a working surface to prevent product damage during assembly
- Phillips head screwdriver

Do not use a drill



## Weight Limitation



220

lbs table top

22

lbs per drawer

Toll-free at 1-866-619-1004

Help@nathanjames.com

Nathanjames.com/help

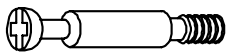
## What's included

Description	Qty
A Cam Bolt M6X35MM	22
B Cam Lock 15X10MM	22
C Wooden Dowel M6X30MM	12
D Screw M4X35MM	20
E Bolt M6X35MM	10
F Bolt M6*50 MM	2
G Allen Key	1
H Handles Hardware	2
I Screw M4X16MM	2
J Drawer stopper	2
K Screw M3.5X12MM	2
L Metal Hinge	2
M Screw M4x12MM	2
N Wall Anchor	2



# The goods

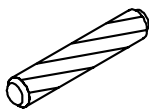
A



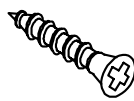
B



C



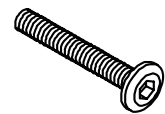
D



E



F



G



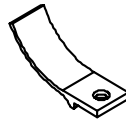
H



I



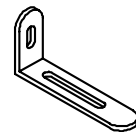
J



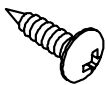
K



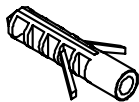
L



M



N



## IMPORTANT

1. Do not tighten bolts / screws completely until all bolts / screws are lined up and inserted into holes.
2. Do not over tighten screws and bolts to avoid stripping.
3. Please use hand tools to assemble this product. Do not use power tools.

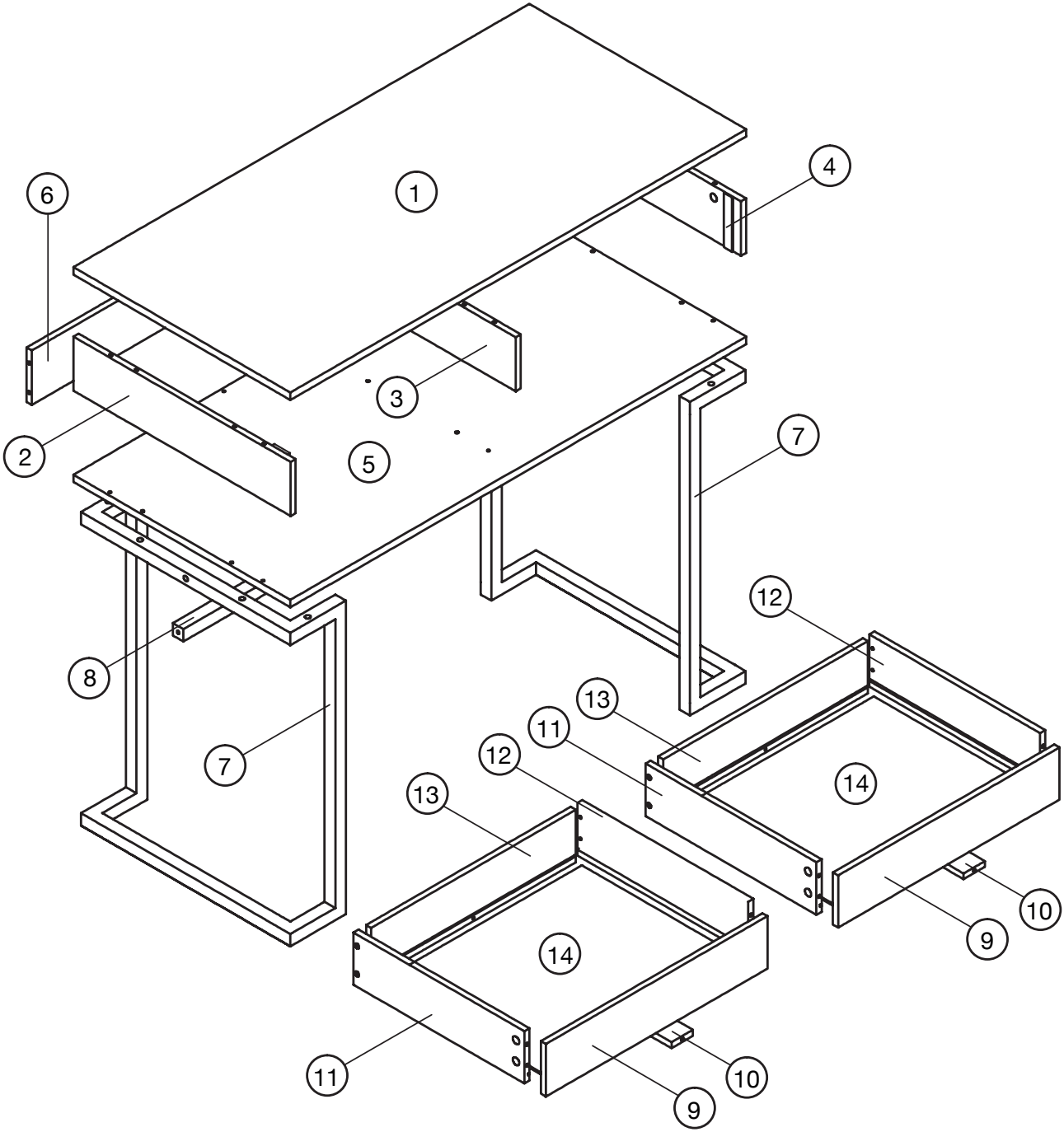


# What's included

	Description	Qty
1	Desk Table Top	1
2	Left Side Panel	1
3	Middle Support Panel	1
4	Right Side Panel	1
5	Bottom Desk Panel	1
6	Back Panel	1
7	Desk Legs	2
8	Support Beam	1
9	Front Drawer Panels	2
10	Drawer Rail	2
11	Left Side Drawer Panels	2
12	Right Side Drawer Panels	2
13	Back Drawer Panels	2
14	Bottom Drawer Panels	2

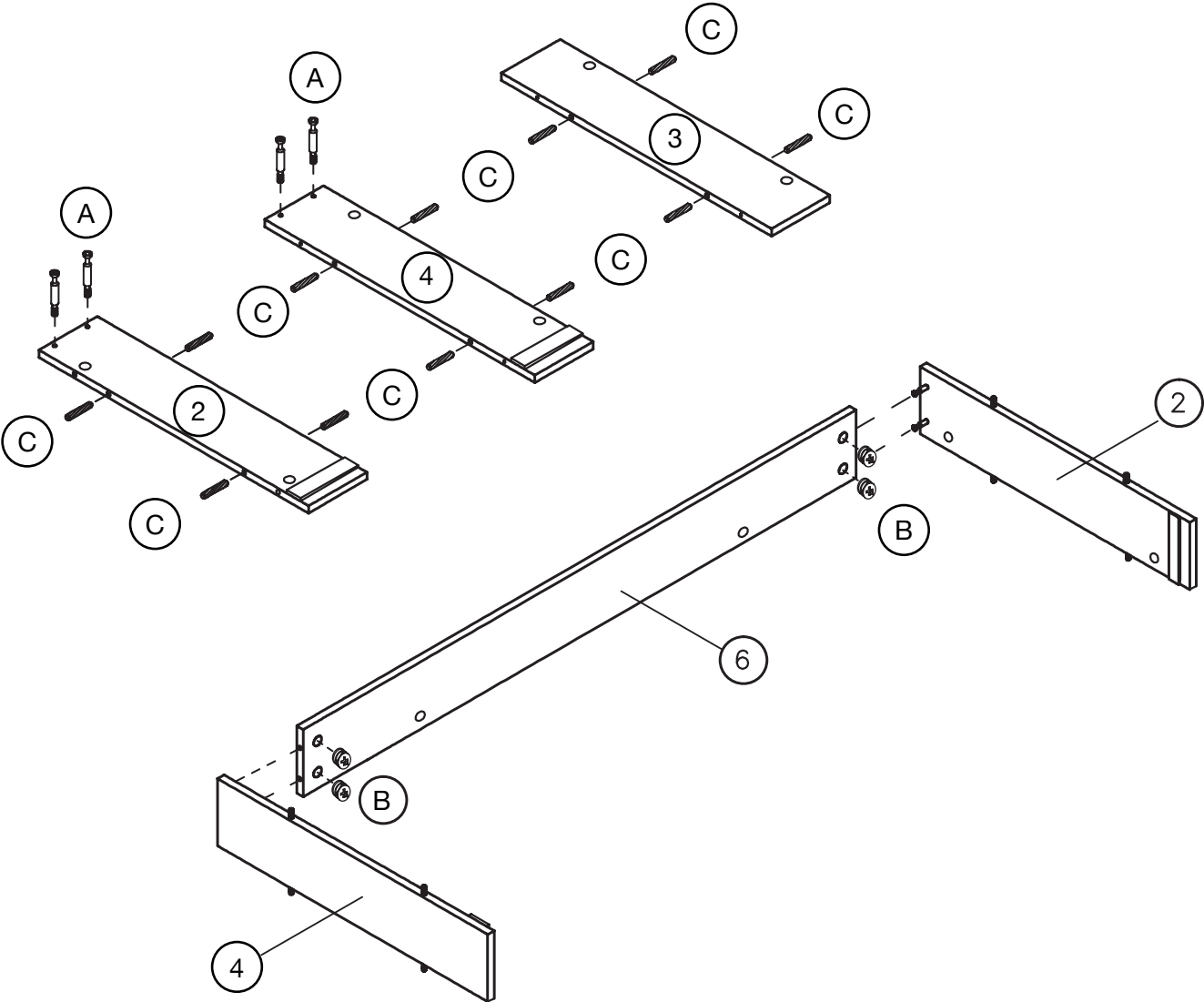


# The goods



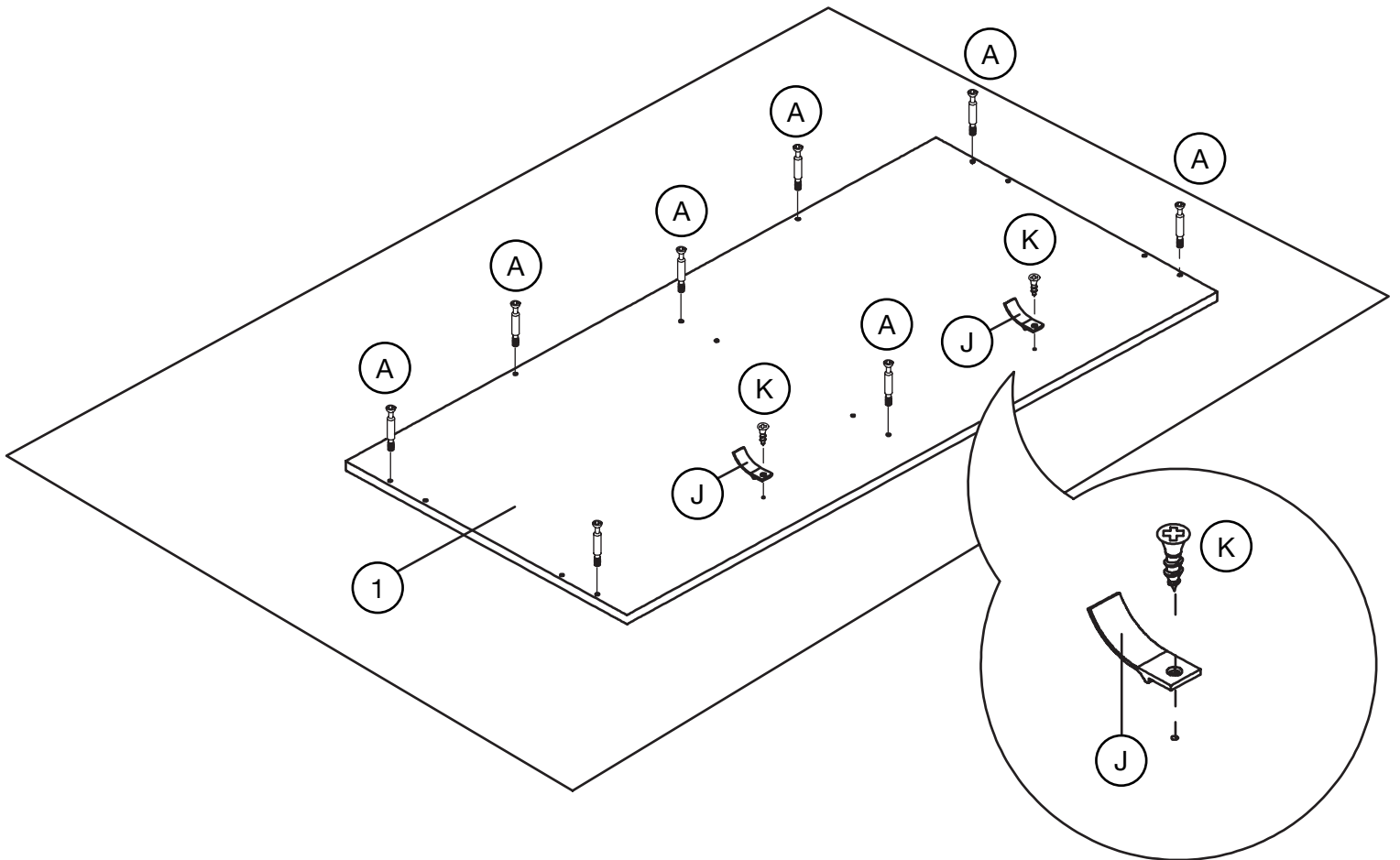
# Step 1

Let's fire this thing up! Leaving you some time to watch a few episodes before the end of the day!



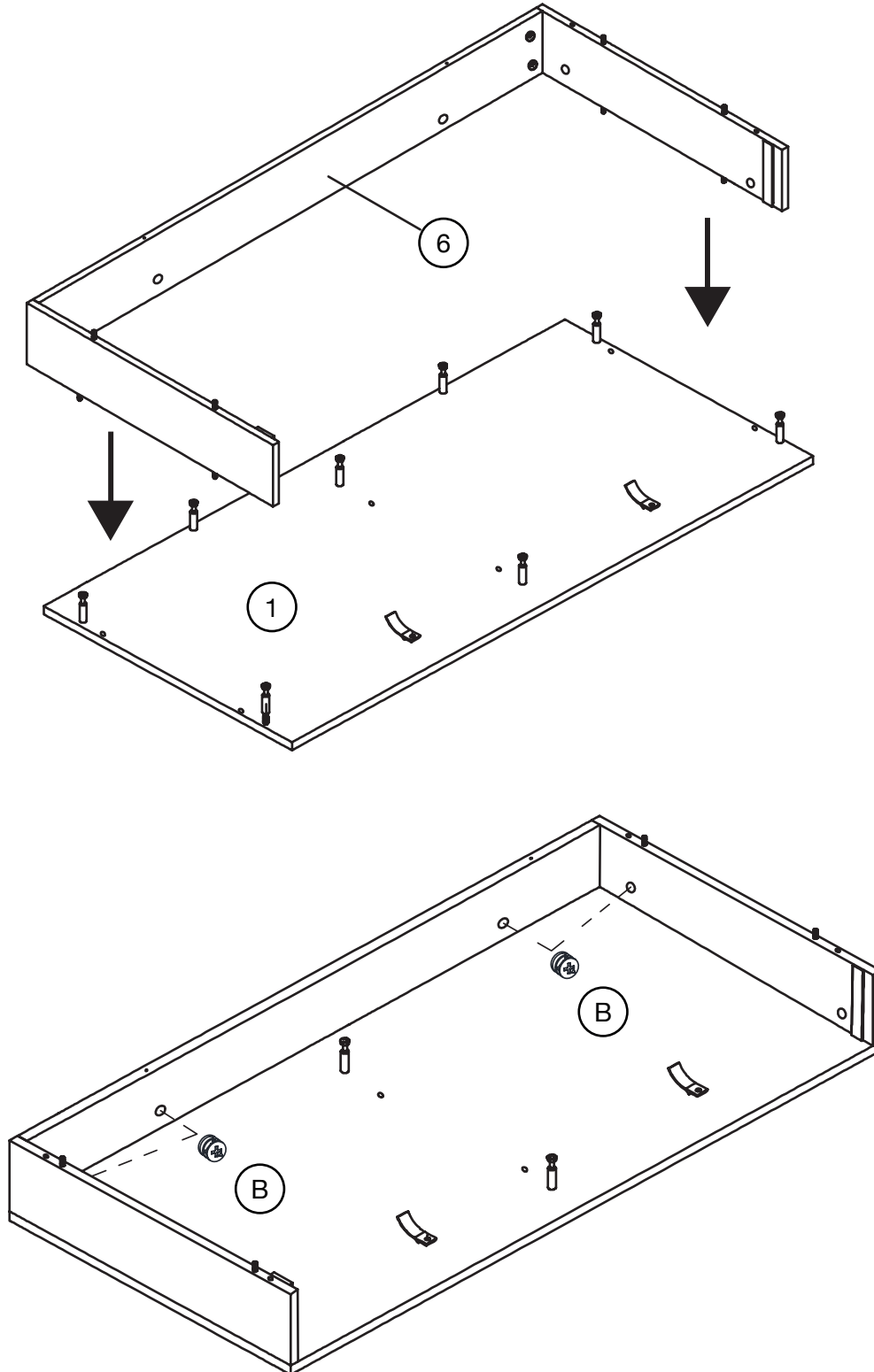
# Step 2

Don't forget to lay down a blanket or use the carton as a working surface to avoid scratching your desk.



# Step 3

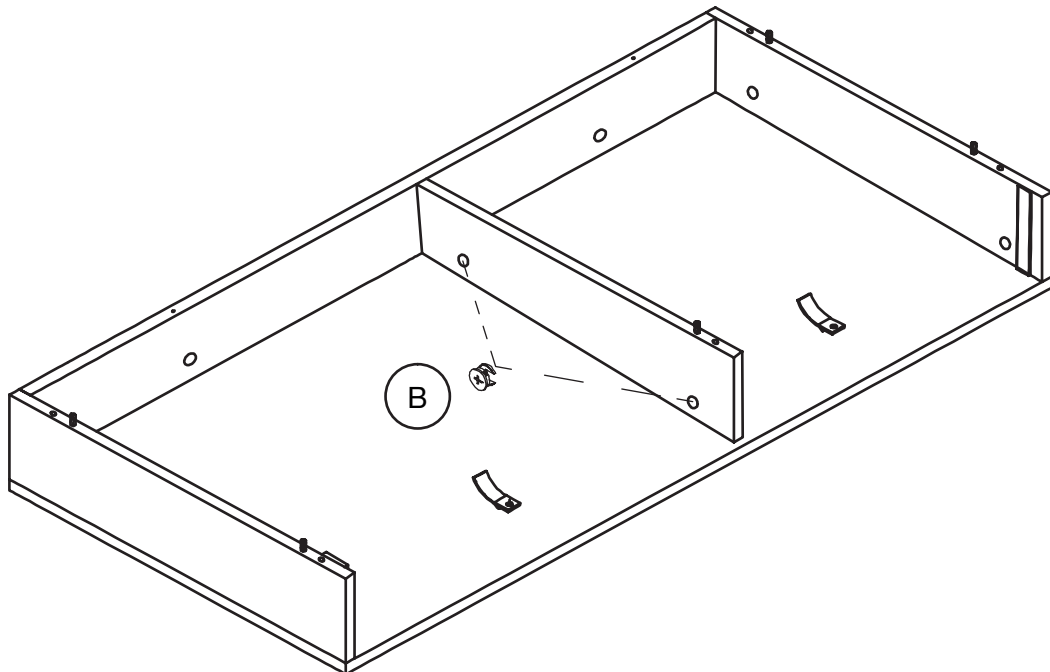
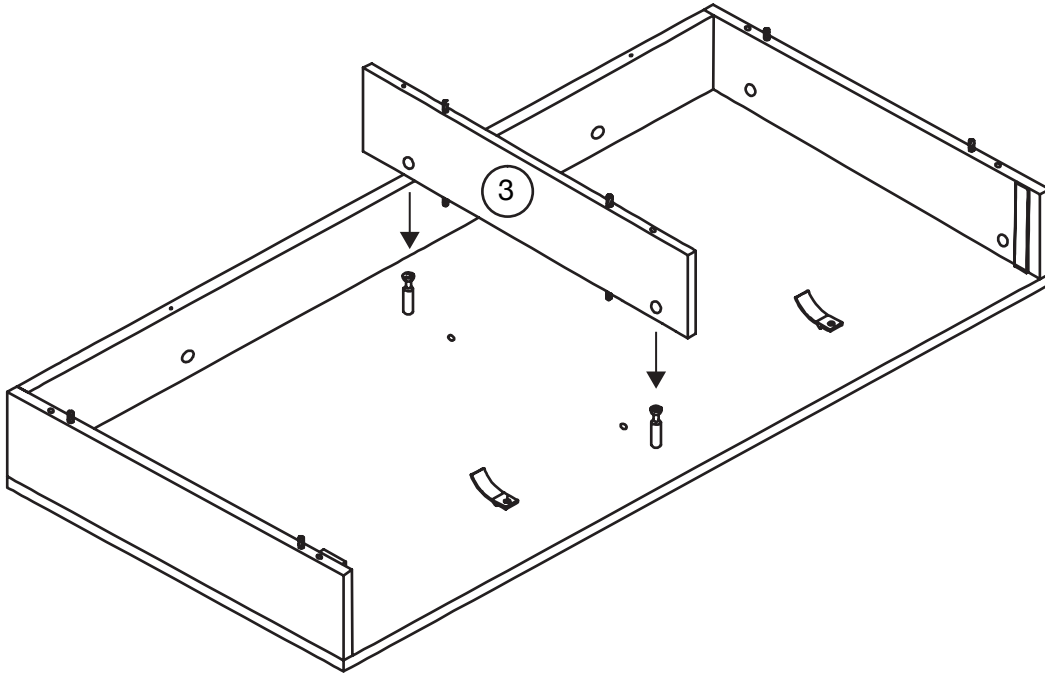
Yup, it's as simple as it looks. Connect the back panel (6) from Step 1 to the Table Top (1), then secure using the cam locks (B).





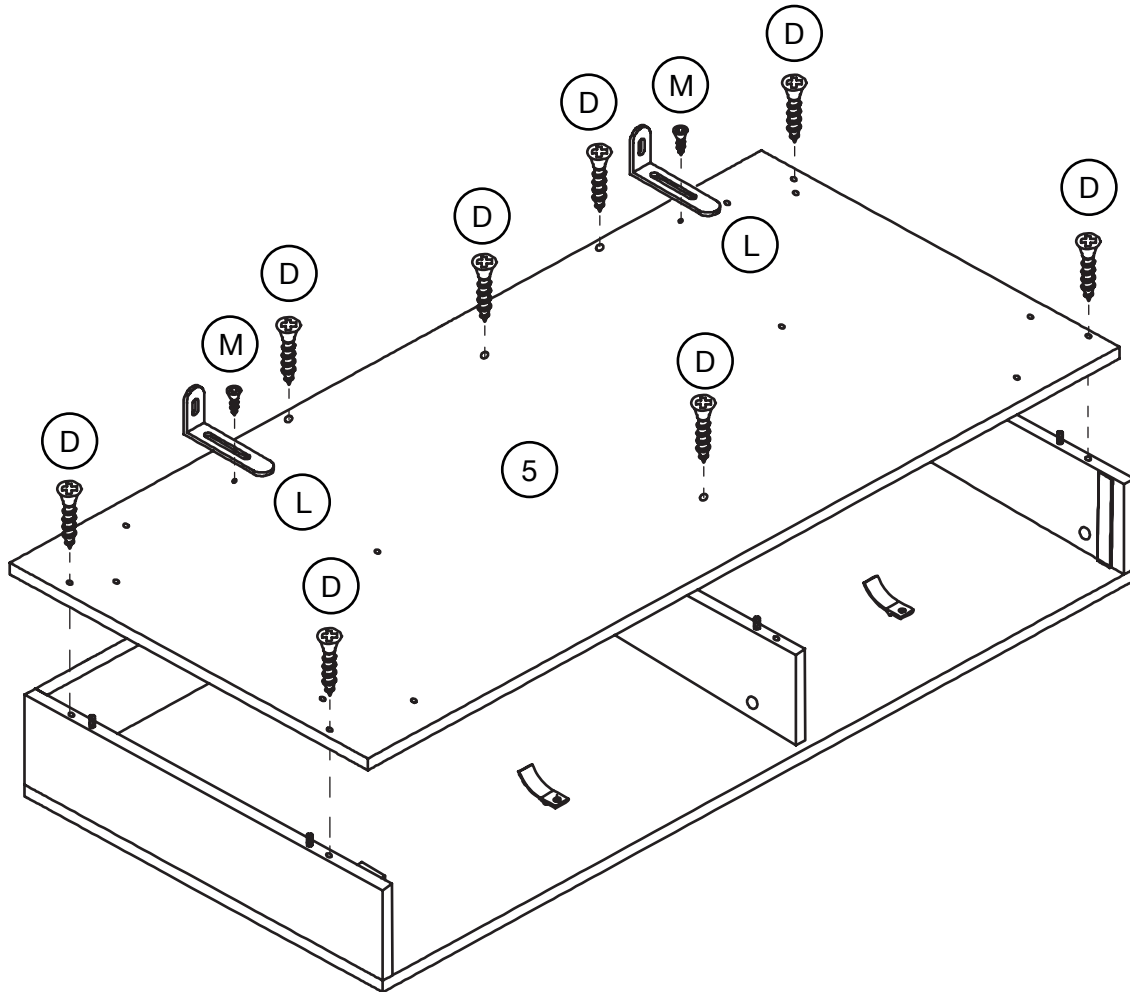
# Step 4

Align the Middle Support Panel (3) with the middle cam bolts, then secure using the cam locks (B).



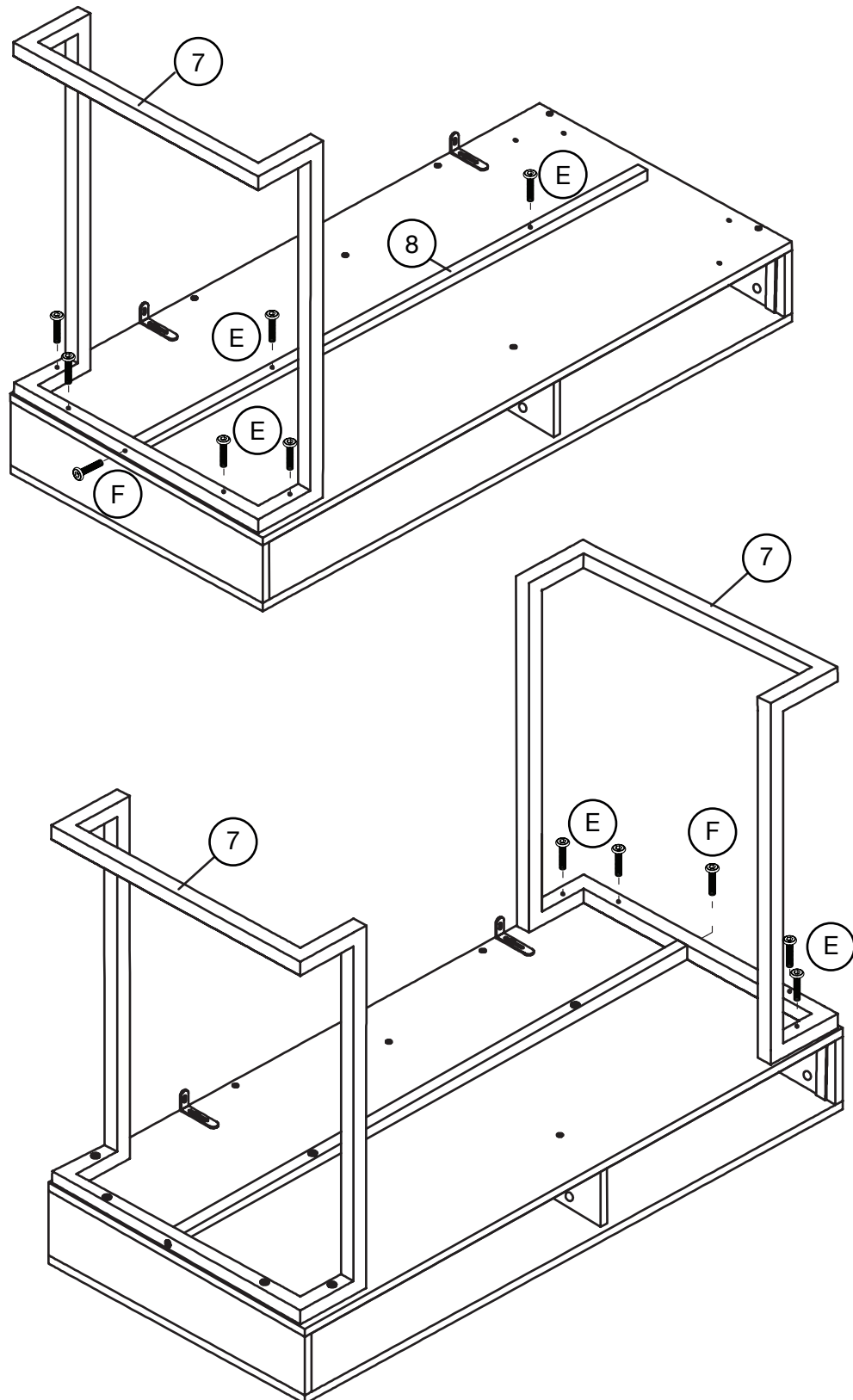
# Step 5

Align the Bottom Desk Panel (5) with the table top from Step 3 and secure.  
P.S. You're halfway done, time to order some pizza?



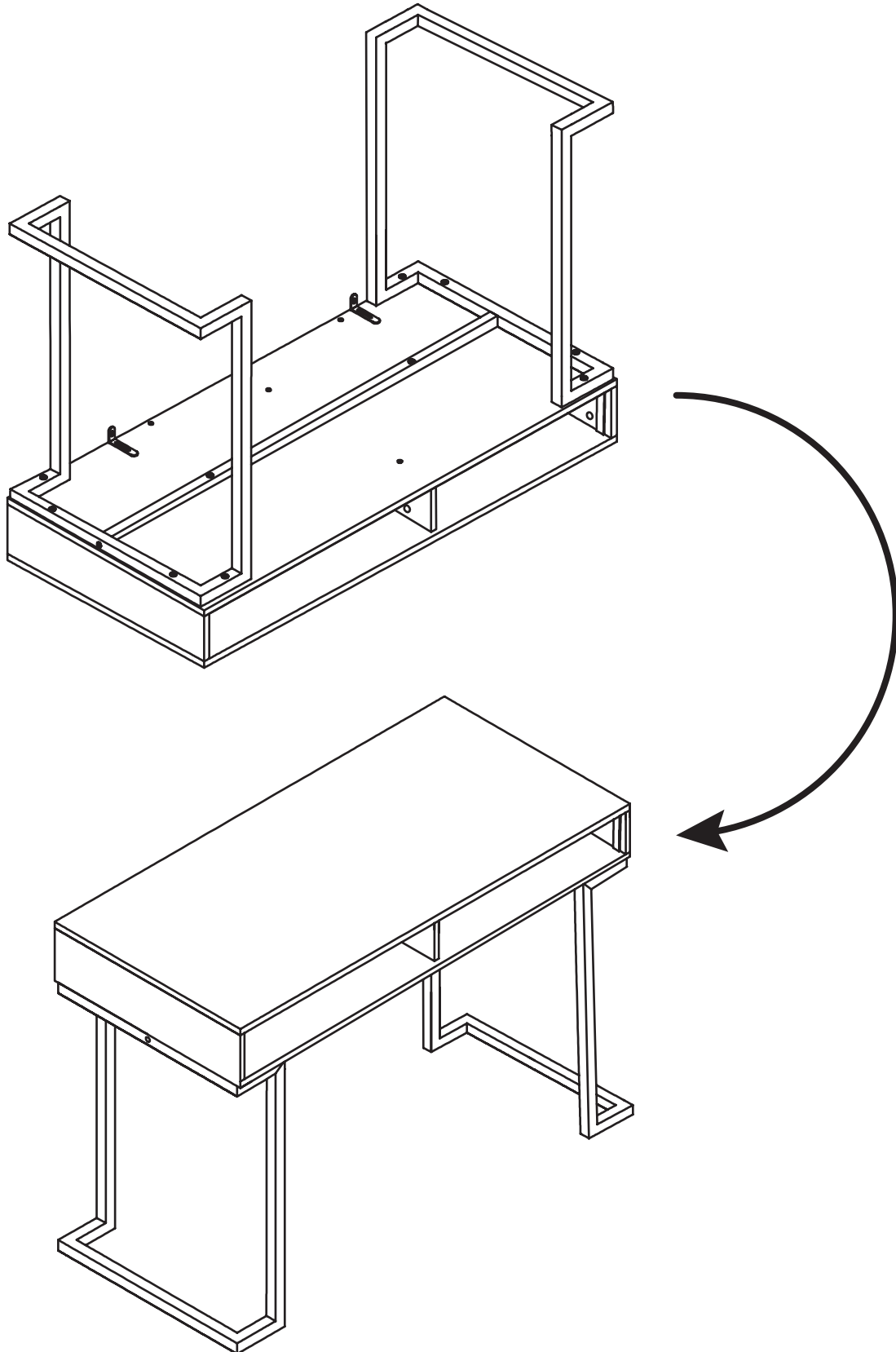
# Step 6

Our favorite part of the Leighton Desk:  
the legs! Securely fasten to the Bottom  
Desk Panel.



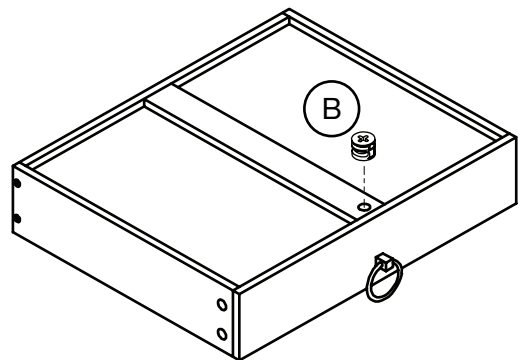
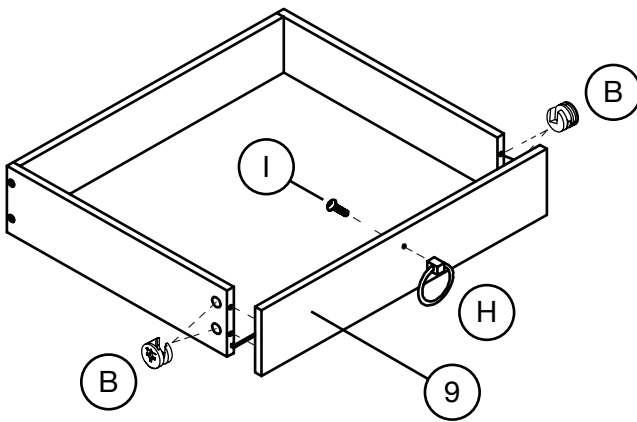
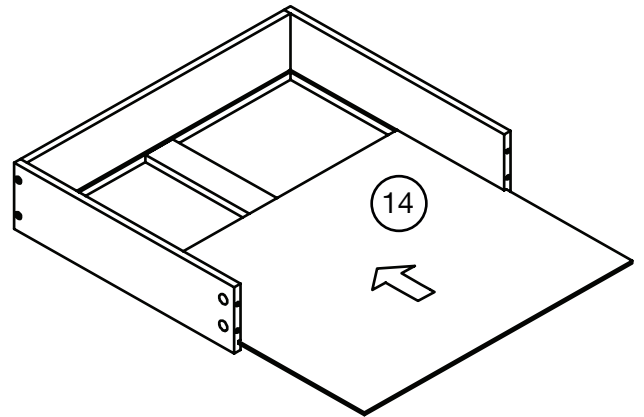
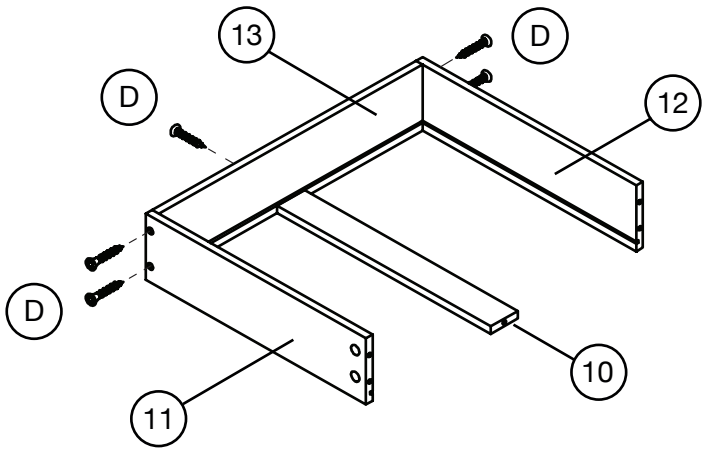
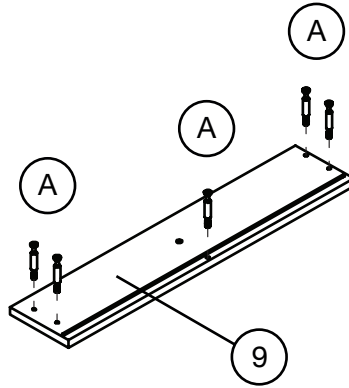
# Step 6 Continued

Grab a friend if you need and carefully flip the desk over.



# Step 7

Yes, we'll admit drawers are our least favorite part too! Good news, it's almost over and you're within minutes of pressing play on Netflix!

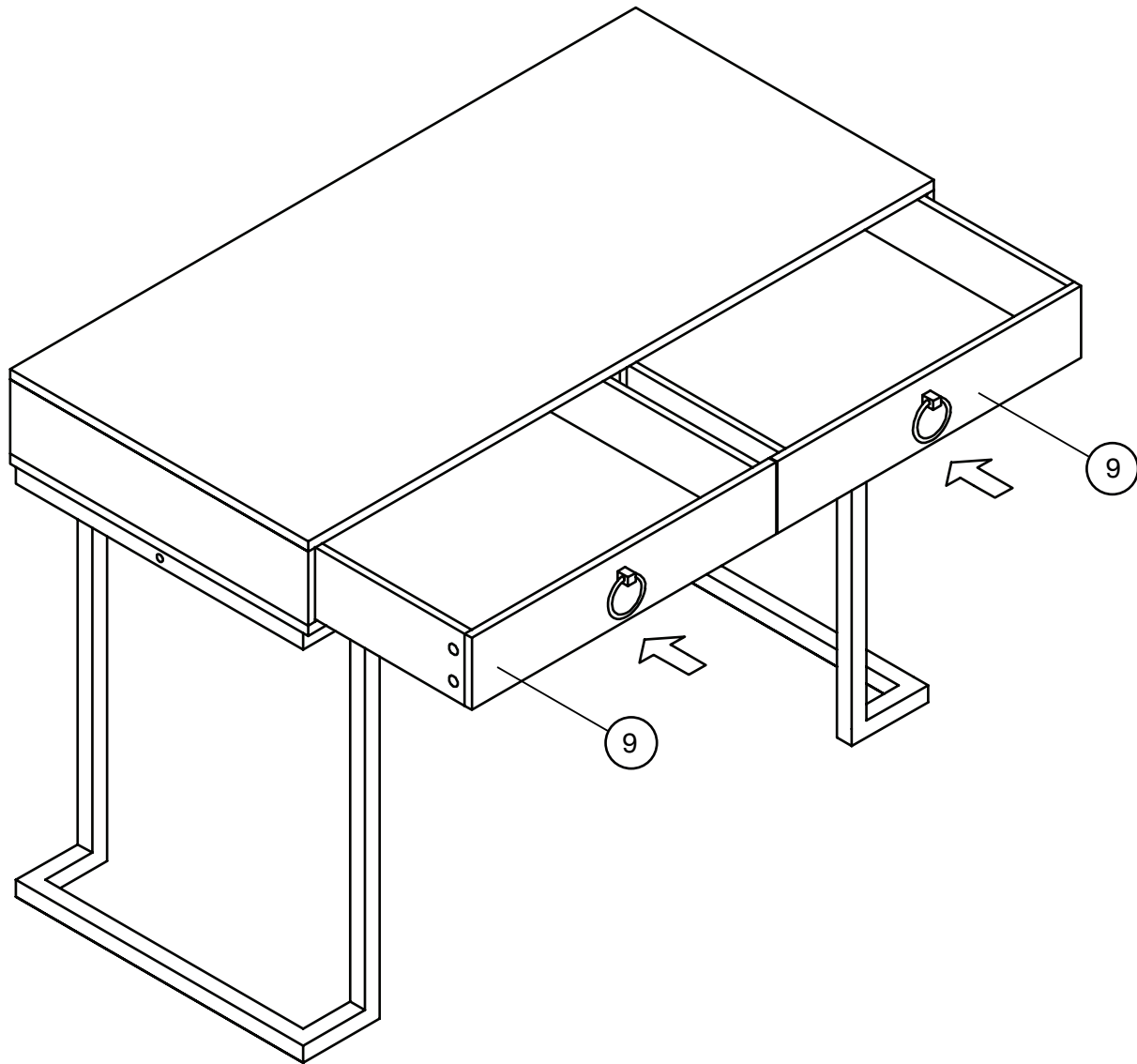


x2



# Step 8

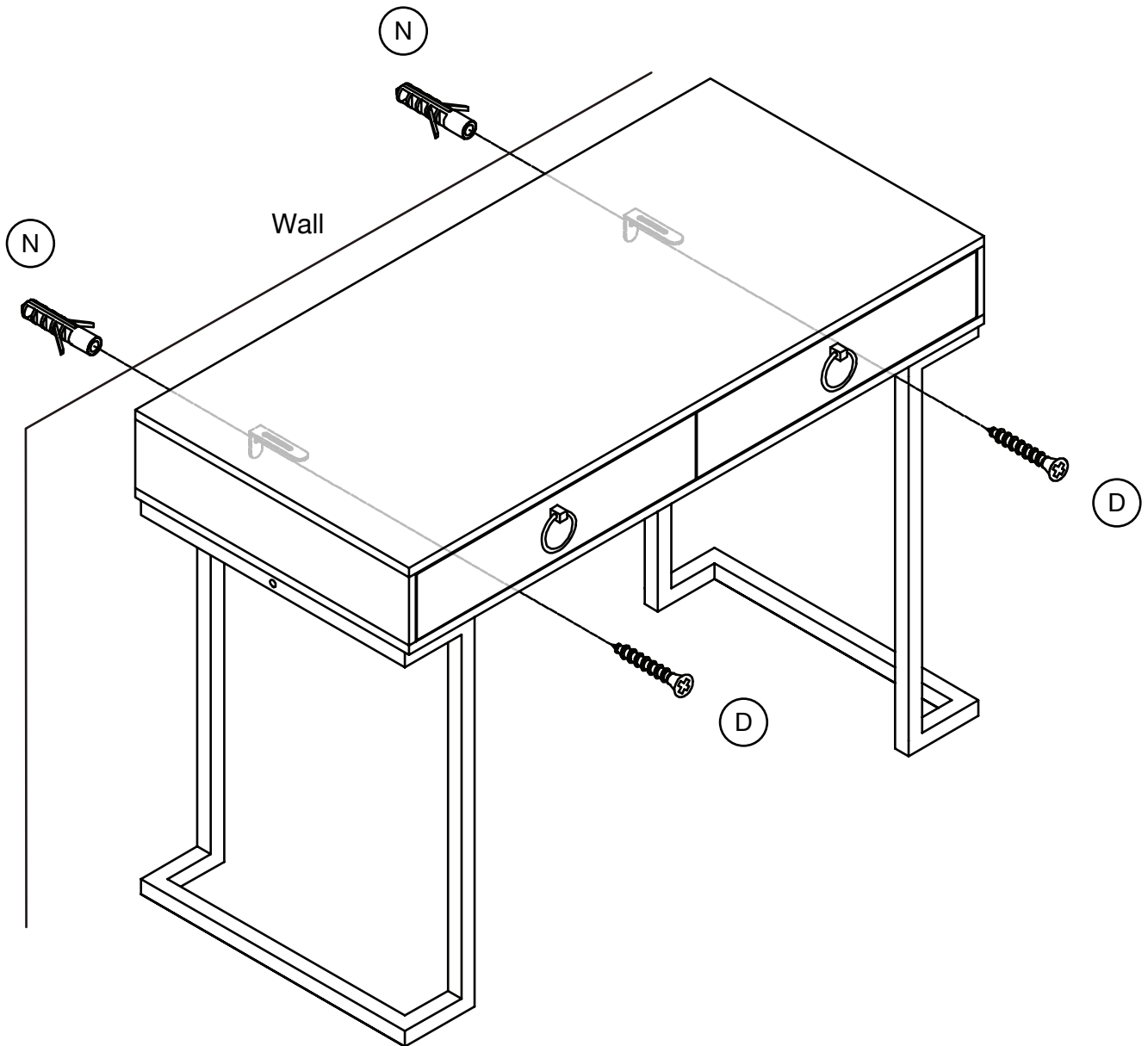
Something tells me you knew  
this step was coming...



# Step 9

For safety, we recommend securing the desk against the wall to avoid any accidents.

You did it! Time to celebrate!  
Your pizza should be here any minute now.



# No heartburn, when we handle the return

Give us a call **1-866-619-1004** or shoot us a message at **help@nathanjames.com** we will issue you a free replacement with **zero hassle**.

## Our way



Give us a call



Replacement



You

## Their way



Re-package item



Schedule pick up



Track package



Replacement



You

We really don't want you to go through the hassle of re-packaging your item and sending it back, because let's be honest...nobody has time for that.





# Safety first, fun later

We want your Leighton Desk to last as long as possible, so we recommend that you tighten the screws 2 weeks after assembly and for added safety check the tightness of all screws every 2 months.

For proper care and treatment of wood & metal please check our website at [NathanJames.com/products](http://NathanJames.com/products)

## Safe use of this product starts with you.

Use this Nelson Bar Stool responsibly with the primary concern for your safety. Follow assembly instructions carefully and inspect product upon receipt and each use.

Nathan James and its parent companies cannot be held legally responsible for any injuries or death resulted from failure to follow instructions or improper use of this product.

## Do not modify the structure of this product in any way.

Our products have been tested to meet specific safety measures as they were originally intended to be sold. Any modifications will present the risk of creating significant safety issues which NJ will not be responsible for.

## Proper use

- DO NOT** use for commercial purposes
- DO NOT** frolic on table
- DO NOT** stand on table
- DO NOT** leave spilled liquid on table
- DO NOT** use table if damaged
- DO NOT** make temporary repairs
- DO NOT** use outdoor



# We are only in business if you're happy

For starters, thanks for being you.

☎ Toll-free at 1-866-619-1004

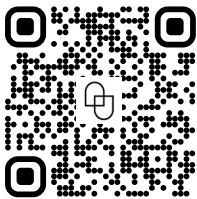
✉ Help@nathanjames.com

🌐 NathanJames.com/help

We do our best to ensure your furniture arrives without any problems, but occasionally mistakes happen—as humans we are imperfect beings. In the event that a part is damaged or missing, we will be more than happy to provide you with replacement part(s) for free.

## Warranty

This product comes with a lifetime warranty from the date of purchase. Please use your phone to scan the QR code to register your product or visit <https://goo.gl/i9dk3q>



### Did we do alright? Please spread the love!

If you are happy with your product, tell your friends and family about us or even better leave us a review online. Spreading the word gives us the opportunity to make more people happy and keep our prices low for your next purchase.

*Brooklyn Burden*

Founder, Nathan James

