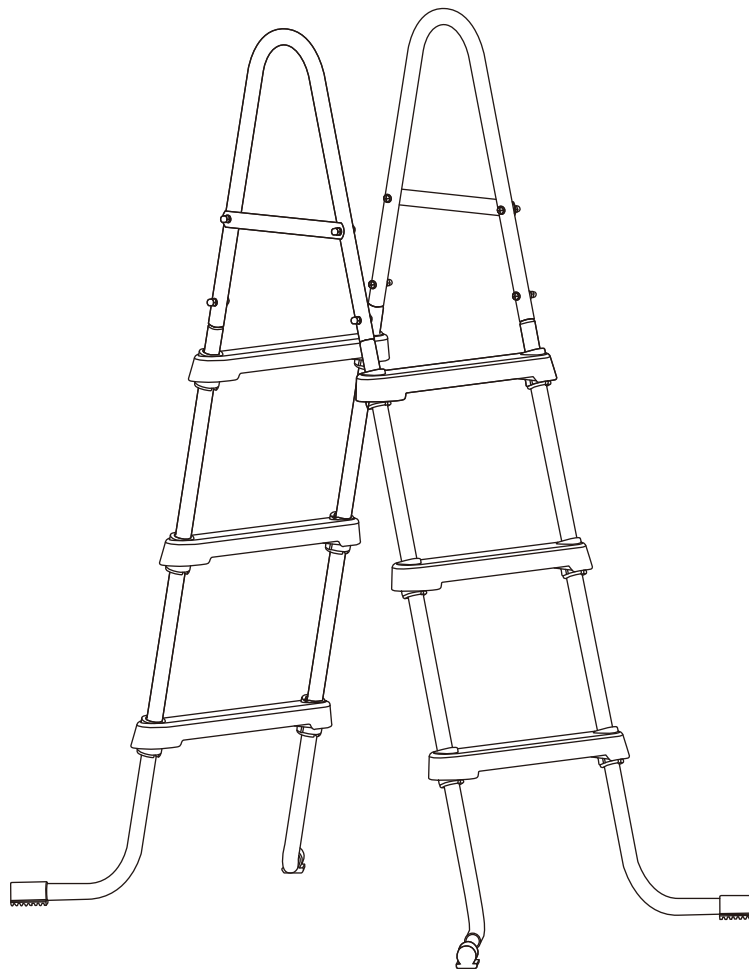


# BLUE WAVE POOL LADDER

FOR ABOVE GROUND SWIMMING POOLS  
36" / 42" / 48" / 52" Models



---

**READ AND KEEP THESE INSTRUCTIONS FOR FUTURE REFERENCE**

---

For answers to common questions, setup videos and troubleshooting tips, please visit [support.polygroupstore.com](http://support.polygroupstore.com) or call: +1 (888) 919-0070

**DO NOT RETURN PRODUCT TO STORE**



To order parts and accessories, please visit [www.polygroupstore.com](http://www.polygroupstore.com)



---

**DO NOT RETURN**

CALL 800-759-0977 Questions, problems, missing parts?

Before returning to your retailer, call our Consumer Hotline at 1-800-759-0977, Monday - Friday, 8 am - 5 pm (CST)



# TABLE OF CONTENTS

Warnings .....	4 ~ 6
Maintenance .....	6
Parts List .....	6 ~ 8
Setup Instructions .....	17 ~ 23

## Limited Warranty

BLUE WAVE products at the best quality we are able to offer. All BLUE WAVE products have been inspected against defects in materials and workmanship prior to leaving factory. BLUE WAVE is happy to offer warranty for the repair or replacement of pool products for 90 days from the date of purchase. The provisions of this Limited Warranty only apply to the original purchaser. Please keep your original store sales receipt, as this proof of purchase will be required and must accompany warranty claims to BLUE WAVE or its designated agents. This Limited Warranty does not apply without proof of purchase; or should the purchaser modify or repair the product themselves or by unauthorized people; use non-BLUE WAVE parts or accessories with the product; use the product in contravention of the manufacturer's instructions; use improper voltage; abuse the product in any way; or through accident or negligence. This Limited Warranty will not cover consequential damages, including claims for loss of water, pool chemicals, damage, or labor, normal wear-and-tear; nor acts of God outside the control of BLUE WAVE. Non-manufacturing defects, such as grasses that may grow through the ground cloth and/or pool liner are examples of which BLUE WAVE cannot be held responsible for.

IN NO EVENT SHALL BLUE WAVE, ITS AUTHORIZED AGENTS, RELATED ENTITIES, OR EMPLOYEES BE LIABLE TO THE BUYER OR ANY OTHER PARTY FOR DIRECT OR CONSEQUENTIAL DAMAGES. Some states or countries, or other jurisdictions, do not allow the exclusion or limitation of incidental or consequential damages, so the above limitation or exclusion may not apply to you.

This Limited Warranty is not extended to close-outs, factory seconds, or resold products (i.e. garage sales, online auctions, or online retailers not purchased directly from BLUE WAVE). Any issues with items purchased from these types of vendors / sellers will need to be addressed through these stores. Items purchased from seasonal stores will be treated with an "All Sales Final" Policy instead.

## IMPORTANT SAFETY INSTRUCTIONS

When installing and using this product, basic safety precautions should always be followed, including the following:

### READ AND FOLLOW ALL INSTRUCTIONS

Keep for future reference. Failure to follow these warnings and instructions can result in serious injury or death to users, especially children.

## WARNING



### DANGER

#### PREVENT DROWNING!

WATCH CHILDREN CLOSELY WHO ARE IN OR NEAR THIS POOL. CHILDREN UNDER 5 ARE AT HIGHEST RISK FOR DROWNING.

#### NO DIVING!

SHALLOW WATER - YOU CAN BE PERMANENTLY INJURED.

### WARNING

**DO NOT SIT ON OR LAY OVER POOL WALL**  
YOU CAN BE PERMANENTLY INJURED.

**AVOID ENTRAPMENT!**  
STAY AWAY FROM DRAINS & SUCTION FITTINGS. YOU MAY DROWN.

### Very Important

- **LADDER WEIGHT LIMIT IS 150KG.**
- LOOSE HARDWARE WILL RESULT IN LADDER FAILURE.
- The ladder will fail if the Machine Screw **G**, Washer **H**, Lock Washer **L**, and Cap Nut **M** holding the handrails to the ladder legs are not properly installed.

### Safety Care for Children

1. Children, especially those younger than 5 years old, are at high risk of drowning. Drowning occurs silently and quickly and can occur in as little as 2 in (5 cm) of water.
2. Keep children in direct sight. Stay close and actively supervise them when they are in or near this pool and when you are filling and emptying this pool.

### Swimming Pool Awareness

1. Assembled by adults only; this pool may contain potentially hazardous sharp objects that are parts of the pool.
2. If a drain or suction outlet cover is missing or broken, do not use the pool. Suction can cause body part entrapment, hair and jewelry entanglement, or drowning. Repair or replace the drain or suction outlet cover before using the pool again.
3. When using the pool at night, artificial lighting should be used to illuminate all safety signs, ladders, steps, deck surfaces and pathways.
4. Keep your pool clean and clear. The floor of the pool should be visible at all time from the outside of the pool.
5. Call for emergency when needed.
6. Basic lifesaving equipment, including one of the following should be on hand at all times:
  - A light, strong, rigid pole (shepherd's crook) not less than twelve feet (12') [366 cm] long.
  - A minimum one-fourth inch (1/4") [6.35 mm] diameter rope as long as one and one half (1 1/2) times the maximum width of the pool or fifty feet (50') [15.24 m], whichever is less, which has been firmly attached to a Coast Guard-approved ring buoy having an outside diameter of approximately fifteen inches (15") [38.1 cm], or similarly approved flotation device.
7. Never allow horseplay, diving or jumping into or around the pool. Serious injury, paralysis or death could result when this rule is disregarded. **DO NOT ALLOW** anyone to swim alone without supervision.

### Ladder

1. The ladder should be located on a solid base and is to be installed per the manufacturer's instructions.
2. One person on the ladder at a time.
3. This ladder is designed and manufactured for a specific pool wall height and/or deck of the pool.
4. For entry/exit of pool, face the ladder at all times.
5. To prevent entrapment or drowning do not swim through, behind, or around ladder.
6. Remove and secure ladder when pool is not occupied.

### Drowning Risk

1. Keep unsupervised children from accessing the pool by installing fencing or other approved barrier around all sides of pool. State or local laws or codes may require fencing or other approved barriers. Check state or local laws and codes before setting up pool.
2. Remove pool ladders before leaving the pool.

3. Toys, chairs, tables or similar objects that a young child could climb should be at least four feet (4') [121.92 cm] from the pool. The pump filter system should be positioned so as to prevent it from being used as a means of access to the pool by young children. Do not leave toys inside pool when finished using, since toys and similar items might attract a child to the pool.
4. Position furniture (for example, tables, chairs) away from pool and so that children cannot climb on it to gain access to the pool.

## Diving Risk

1. Above-ground/on-ground residential swimming pools are for swimming and wading only. No diving boards, slides or other equipment are to be added to an above-ground/on-ground pool.
2. Do not dive into this pool. Diving into shallow water can result in a broken neck, paralysis, or death.

## Special Warning

1. Local building codes may require obtaining a building or electrical permit. Installer shall follow regulations on setback, barriers, devices and other conditions.
2. Safety signs shall comply with requirements of ANSI-Z535 and to use signal wording.
3. DO NOT attempt to assemble this pool in adverse weather conditions, windy conditions or when the temperature is below 60°F.

## Extra Safety Warning

1. Adult supervision is always required.
2. Do not install on a deck or other surface at, above, or slightly below the top rail of the pool.
3. Do not allow roughhousing and horseplay.
4. Install a pool ladder(s) or staircase for entry and exit from the pool.
5. Instruct pool users about the proper use of all pool ladder(s) and staircases.
6. Face ladder going up or down.
7. Check all nuts and bolts regularly to ensure that the ladder stays sturdy.
8. Please contact pool site dealer or manufacturer for additional safety signs if deemed necessary.
9. For pool service, select a certified pool professional. For additional safety information, see [www.APSP.org](http://www.APSP.org)

## Consumer Awareness Booklets and Information Source

**Contact:** U.S. Consumer Product Safety Commission at [www.cpsc.gov/safety-education/safety-guides/pools-and-spas](http://www.cpsc.gov/safety-education/safety-guides/pools-and-spas), Pub. #362 "Safety Barrier Guidelines for Home Pools."

1. The Sensible Way to Enjoy Your Above-ground/On-ground Swimming Pool.
2. Children Aren't Waterproof.
3. Layers of Protection.
4. Pool and Spa Emergency Procedures for Infants and Children.
5. Be Safety Aware Copies of the above brochures are available free from the APSP. Go to: [www.APSP.org](http://www.APSP.org)

## Safety Education Programs and Materials

Educational programs and materials (i.e., seminars, workshops, brochures, videos, instructional guides) are available from the APSP, other aquatic safety groups, and by private firms. As a means of communicating useful safety information to pool owners/operators, and users, industry members are permitted to provide such information to owners/operators and to request or require owners/operators to sign a statement that they have received, read, and will follow the guidelines.

### Other sources of safety information:

- [www.cdc.gov](http://www.cdc.gov)
- [www.cpsc.gov](http://www.cpsc.gov)
- [www.drowningpreventionalliance.com](http://www.drowningpreventionalliance.com)
- [www.nspf.org](http://www.nspf.org)
- [www.safekids.org](http://www.safekids.org)

### UL Underwriters Laboratories

333 Pfingsten Road, Northbrook IL 60062-2096  
Contact: 847-272-8800  
[www.ul.com](http://www.ul.com)

### NSF NSF International

P.O. Box 130140  
789 N. Dixboro Road  
Ann Arbor MI 48105  
Contact: 800-673-6275 or 734-769-8010  
[www.nsf.org](http://www.nsf.org)

### ANSI American National Standards Institute

25 West 43rd Street, New York NY 10036  
Contact: 212-642-4900  
[www.ansi.org](http://www.ansi.org)

### APSP Association of Pool & Spa Professionals

(formerly National Spa and Pool Institute)  
2111 Eisenhower Avenue, Ste. 500  
Alexandria VA 22314-4679  
Contact: 703-838-0083  
[www.apsp.org](http://www.apsp.org)

### ASTM ASTM International (formerly American Society of Testing & Materials)

100 Barr Harbor Drive, P.O. Box C700 West Conshohocken, PA 19428-2959  
Contact: 877-909-2786 (USA & CANADA) or 610-832-9585 (International)  
610-832-9555 (fax)  
[www.astm.org](http://www.astm.org)

### ASME American Society of Mechanical Engineers

Two Park Avenue, New York NY 10016-5990  
Contact: 800-843-2763 (U.S. & CANADA) or 973-882-1170 (International)  
[www.asme.org](http://www.asme.org)  
NSPI National Spa and Pool Institute (see APSP)

### NEC National Electrical Code (see NFPA)

NFPA National Fire Protection Association  
1 Batterymarch Park, Quincy MA 02169-7471  
Contact: 800 344-3555 (U.S. & Canada) or 617 770-3000 (International)  
[www.nfpa.org](http://www.nfpa.org)

## Risk of Drowning, Entrapment, and Diving Accidents

Publications are available that describe the risk of drowning, entrapment, and diving accidents. Available publications related to pool safety include the Association of Pool and Spa Professionals' (APSP) booklets entitled: The Sensible Way to Enjoy Your Above-ground/On-ground Swimming Pool, Children Aren't Waterproof, Pool and Spa Emergency Procedures for Infants and Children, Layers of Protection, and the latest published edition of ANSI/APSP-8 Model Barrier Code for Residential Swimming Pools, Spas, and Hot Tubs.

## Installer Responsibilities

All of these components shall be positioned so as to prevent their being used as a means of access to the pool by young children.

(See the barrier Code for Residential Swimming Pools, Spas, and Hot Tubs.)





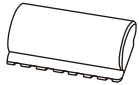
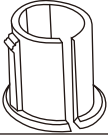



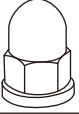

## MAINTENANCE

1. Mud may cause slipping. Keep the ladder treads free of mud.
2. Retighten the ladder hardware regularly. **LOOSE HARDWARE WILL CAUSE LADDER FAILURE.**






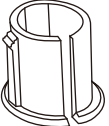





## PARTS LIST

- THIS LADDER IS DESIGNED AND MANUFACTURED FOR THE SPECIFIC POOL WALL HEIGHT.
- REMOVE AND SECURE THE LADDER WHEN POOL IS NOT OCCUPIED!
- **CHECK THE COLOR CODES INDICATED ON THE LADDER WARNING BRACKETS N FOR REPLACEMENT PARTS ORDERING.**

**Part Quantity**

Key	Description	36" (91 cm)	42" (107 cm)	48" (122 cm)	52" (132 cm)
<b>A</b> 	Ladder Leg (R)	2	2	2	2
<b>B</b> 	Ladder Leg (L)	2	2	2	2
<b>C</b> 	Ladder Handrail	2	2	2	2
<b>D</b> 	Ladder Tread	6	6	8	8
<b>E</b> 	Ladder End Cap	4	4	4	4
<b>F</b> 	Ladder Tread Clip	12	12	16	16
<b>G</b> 	Machine Screw	8	8	8	8
<b>H</b> 	Washer	4	4	4	4
<b>L</b> 	Lock Washer	8	8	8	8
<b>M</b> 	Cap Nut	8	8	8	8
<b>N</b> 	Ladder Warning Bracket	2	2	2	2

## Part Number

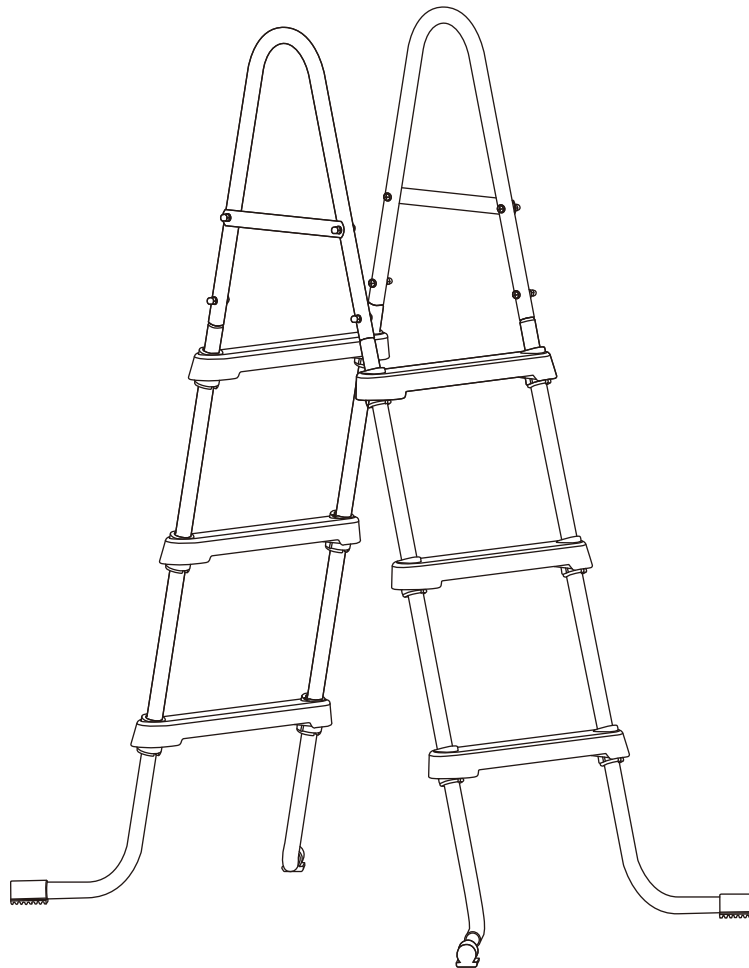
Key	Description	Color Code	36" (91 cm)	42" (107 cm)	48" (122 cm)	52" (132 cm)
<b>A</b> 	Ladder Leg (R)	A	P5901510350W	P5901511860W	P5901513400W	P5901514720W
		B/E	P5901510350C	P5901511860C	P5901513400C	P5901514720C
		C	P5901510350K	P5901511860K	P5901513400K	P5901514720K
		D	P5901510350N	P5901511860N	P5901513400N	P5901514720N
<b>B</b> 	Ladder Leg (L)	A	P5901510351W	P5901511861W	P5901513401W	P5901514721W
		B/E	P5901510351C	P5901511861C	P5901513401C	P5901514721C
		C	P5901510351K	P5901511861K	P5901513401K	P5901514721K
		D	P5901510351N	P5901511861N	P5901513401N	P5901514721N
<b>C</b> 	Ladder Handrail	A	P5911010900W	P5911010900W	P5911010900W	05811010900W
		B/E	P5911010900C	P5911010900C	P5911010900C	P5811010900C
		C	P5911010900K	P5911010900K	P5911010900K	P5811010900K
		D	P5911010900N	P5911010900N	P5911010900N	P5811010900N
<b>D</b> 	Ladder Tread	A	P59PF0052B01	P59PF0052B01	P59PF0052B01	P59PF0052B01
		B	P59PF0052W05	P59PF0052W05	P59PF0052W05	P59PF0052W05
		C	P59PF00527CN	P59PF00527CN	P59PF00527CN	P59PF00527CN
		D	P59PF00528UN	P59PF00528UN	P59PF00528UN	P59PF00528UN
		E	P59PF0052C01	P59PF0052C01	P59PF0052C01	P59PF0052C01
<b>E</b> 	Ladder End Cap	A	P59PF0090B01	P59PF0090B01	P59PF0090B01	P59PF0090B01
		B	P59PF0090W05	P59PF0090W05	P59PF0090W05	P59PF0090W05
		C	P59PF00907CN	P59PF00907CN	P59PF00907CN	P59PF00907CN
		D	P59PF00908UN	P59PF00908UN	P59PF00908UN	P59PF00908UN
		E	P59PF0090C01	P59PF0090C01	P59PF0090C01	P59PF0090C01
<b>F</b> 	Ladder Tread Clip	A	P59PF0070B01	P59PF0070B01	P59PF0070B01	P59PF0070B01
		B	P59PF0070W05	P59PF0070W05	P59PF0070W05	P59PF0070W05
		C	P59PF00707CN	P59PF00707CN	P59PF00707CN	P59PF00707CN
		D	P59PF00708UN	P59PF00708UN	P59PF00708UN	P59PF00708UN
		E	P59PF0070C01	P59PF0070C01	P59PF0070C01	P59PF0070C01
<b>G</b> 	Machine Screw	A/B/C/D/E	P5911600350A	P5911600350A	P5911600350A	P5911600350A
<b>H</b> 	Washer	A/B/C/D/E	P5942M60000A	P5942M60000A	P5942M60000A	P5942M60000A
<b>L</b> 	Lock Washer	A/B/C/D/E	P5943M60000A	P5943M60000A	P5943M60000A	P5943M60000A
<b>M</b> 	Cap Nut	A/B/C/D/E	P59231M6000A	P59231M6000A	P59231M6000A	P59231M6000A
<b>N</b> 	Ladder Warning Bracket	A	P5942003021W	P5942003021W	P5942003021W	P5942003021W
		B/E	P5942003021C	P5942003021C	P5942003021C	P5942003021C
		C	P5942003021K	P5942003021K	P5942003021K	P5942003021K
		D	P5942003021N	P5942003021N	P5942003021N	P5942003021N



# BLUE WAVE ÉCHELLE DE PISCINE

POUR PISCINES HORS SOL

Modèles 91 cm / 1,07 m / 1,22 m / 1,32 m



---

**LIRE ET GARDER CES INSTRUCTIONS POUR CONSULTATION ULTÉRIEURE**

---

Pour obtenir des réponses aux questions les plus fréquentes, des vidéos de configuration et des conseils de dépannage, visitez le site [support.polygroupstore.com](http://support.polygroupstore.com) ou appelez : +1 (888) 919-0070

**NE RETOURNEZ PAS L'ARTICLE  
AU DÉTAILLANT**



Pour commander des pièces ou des accessoires veuillez consulter : [www.polygroupstore.com](http://www.polygroupstore.com)



---

**NE REVIENS PAS**

COMPOSEZ LE 800-759-0977 Des questions, des problèmes, des pièces manquantes? Avant de retourner chez votre détaillant, appelez notre ligne d'assistance aux consommateurs au 1-800-759-0977, du lundi au vendredi, de 8 h à 17 h (HNC)



# TABLE DES MATIÈRES

Avertissements .....	12 ~ 14
Entretien .....	14
Listes Des Pièces .....	14 ~ 16
Instructions D'assemblage .....	17 ~ 23

## Garantie limitée

BLUE WAVE des produits de la meilleure qualité possible. Tous les produits BLUE WAVE ont été inspectés pour s'assurer qu'ils sont exempts de tout vice de matière et de fabrication avant de quitter l'usine. BLUE WAVE offre une garantie de 90 jours à compter de la date d'achat pour la réparation ou le remplacement des produits de piscine. Les clauses de la présente garantie limitée peuvent être invoquées uniquement par l'acquéreur initial. Veuillez conserver le ticket de caisse de la boutique qui vous a vendu initialement votre produit. Cette preuve d'achat devra obligatoirement accompagner toute demande sous garantie faite à BLUE WAVE ou à ses agents agréés. La présente garantie limitée ne pourra pas être invoquée sans preuve d'achat, en cas de modification ou de réparation du produit par l'acquéreur lui-même ou par une personne non autorisée, d'utilisation de pièces ou accessoires qui ne sont pas fournis par BLUE WAVE, d'utilisation du produit contraire aux consignes du fabricant, d'utilisation d'une tension incorrecte, d'usage abusif quelconque du produit ou en cas d'accident ou de négligence. La présente garantie limitée ne couvrira pas les dommages indirects, y compris les demandes relatives à une perte d'eau, de produits chimiques pour piscine, des dommages-intérêts, la main d'œuvre, l'usure normale, ni les événements de force majeure indépendants de la volonté de BLUE WAVE. Les défauts qui ne sont pas des vices de fabrication, comme par exemple des herbes qui pourraient pousser à travers le tapis de sol et/ou le liner sont des exemples dont BLUE WAVE ne saurait être tenu responsable.

EN AUCUN CAS BLUE WAVE, SES AGENTS AGRÉÉS, SES ENTITÉS ASSOCIÉES OU SES EMPLOYÉS NE POURRAIENT ÊTRE TENUS RESPONSABLES ENVERS L'ACQUÉREUR OU TOUTE AUTRE PARTIE DE DOMMAGES DIRECTS OU INDIRECTS. Certains états, pays ou autres juridictions n'autorisent pas l'exclusion ou la limitation des dommages accidentels ou indirects, par conséquent la limitation ou l'exclusion suscitée peut ne pas vous concerner.

La présente garantie ne couvre pas les déstockages, les produits défectueux vendus par une usine ou les produits revendus (c.-à-d. produits issus de vide grenier, enchères en ligne ou commerçants en ligne qui ne sont pas achetés directement à BLUE WAVE™). Tous les problèmes liés à des articles achetés auprès de ce type de commerçant / vendeur devront être résolus par ces commerces. Les articles achetés dans des boutiques éphémères seront traités dans le cadre d'une politique dite de « vente ferme ».

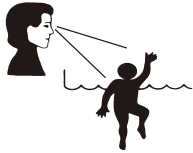
## CONSIGNES DE SÉCURITÉ IMPORTANTES

Lors de l'installation et de l'utilisation de cet produit, respectez toujours des précautions de sécurité élémentaires, parmi lesquelles :

### LISEZ ET RESPECTEZ TOUTES LES INFORMATIONS ET INSTRUCTIONS

Conservé pour consultation ultérieure. Ne pas respecter ces mises en garde et instructions peut provoquer des blessures graves ou la mort des utilisateurs, notamment des enfants.

## ⚠ AVERTISSEMENT



### ⚠ DANGER

#### PRENEZ DES MESURES CONTRE LE RISQUE DE NOYADE !

SURVEILLEZ DE PRES LES ENFANTS QUI SE TROUVENT DANS OU PRÈS DE CETTE PISCINE. LE RISQUE DE NOYADE EST LE PLUS ÉLEVÉ POUR LES ENFANTS DE MOINS DE 5 ANS.

**NE PAS PLONGER!**  
EAU PEU PROFONDE - VOUS POUVEZ ÊTRE BLESSÉ DE MANIÈRE PERMANENTE.

### ⚠ AVERTISSEMENT

**NE PAS S'ASSEOIR OU S'APPUYER SUR LA PAROI DE LA PISCINE**  
VOUS RISQUERIEZ DE SUBIR DES BLESSURES IRRÉVERSIBLES.

**ÉVITER D'ÊTRE PIÉGÉ!**  
ÉLOIGNEZ-VOUS DES RACCORDS DE DRAINAGE ET D'ASPIRATION. VOUS POUVEZ VOUS NOYER.

### Très important

- **LA LIMITE DU POIDS SUPPORTÉ PAR L'ÉCHELLE EST DE 150KG.**
- LE MATÉRIEL QUI N'EST PAS SUFFISAMMENT SERRÉ PEUT PROVOQUER UNE AVARIE DE L'ÉCHELLE.
- L'échelle se cassera si les vis de machine **G**, les rondelle **H**, les rondelle de blocage **L**, et les écrou capuchon **M** maintenant les poignées aux pieds ne sont pas correctement installés.

### Sécurité des enfants

1. Les enfants, en particulier les enfants de moins de cinq ans, sont à haut risque de noyade. La noyade se produit silencieusement et rapidement et peut avoir lieu avec seulement 5 cm d'eau
2. Gardez une ligne de vue directe. Restez à proximité, et surveillez les activement quand ils sont dans ou près de cette piscine et quand vous la remplissez et la videz.

### Sensibilisation relative à la piscine

1. Assemblée que par des adultes ; cette piscine peut contenir des objets coupants potentiellement dangereux qui font partie de la piscine.
2. Si un couvercle de vidange ou de sortie d'aspiration est manquant ou brisé, ne pas utiliser la piscine. L'aspiration peut entraîner le coincement d'une partie du corps, l'enchevêtrement des cheveux et des bijoux, l'éviscération, ou la noyade. Réparez ou remplacez le couvercle de vidange ou d'aspiration avant de réutiliser la piscine.
3. Lors de l'utilisation de la piscine la nuit, un éclairage artificiel doit être utilisé pour éclairer tous les signaux de sécurité, les échelles, les marches, les surfaces du pont et les allées.
4. Gardez votre piscine propre et transparente. Le fond de la piscine doit être visible à tout moment de l'extérieur de la piscine.
5. Appelez en cas d'urgence si nécessaire.
6. Des équipement de sauvetage de base, incluant un des suivants, devraient être à portée de main à tout moment :
  - Une perche rigide, résistante et légère (genre crosse de berger) faisant minimum 3,50 m de long.
  - Un câble d'un diamètre minimal d'un quart (1/4 ") [6,35 mm] d'une longueur égale à une fois et demie (1 1/2) la largeur maximale de la piscine ou à une distance minimale de 15 pieds (50 ') (50' (50 ')), qui a été solidement attaché à une bouée circulaire approuvée par la Garde côtière d'un diamètre extérieur d'environ 38,1 cm [15 po] (15 "), ou à un dispositif de flottaison approuvé de la même manière.
7. Ne jamais autoriser le chahut, les plongeurs ou les sauts dans ou autour de la piscine. Des blessures graves, la paralysie ou la mort, pourrait résulter du non-respect de cette règle. **NE PERMETTRE À PERSONNE de nager seul sans surveillance.**

### Échelle

1. L'échelle doit être située sur une base solide et doit être installée conformément aux instructions du fabricant.
2. Il ne peut y avoir qu'une seule personne sur l'échelle/par marche à la fois.
3. Cette échelle est conçue et fabriquée pour une hauteur de paroi de piscine et/ou un pourtour de piscine spécifiques.
4. Pour entrer et sortir de la piscine, faire face à l'échelle à tout moment.
5. Pour éviter de se coincer ou de se noyer, ne pas nager à travers, sous, ou autour de l'échelle.
6. Retirer et sécuriser l'échelle quand la piscine n'est pas utilisée.

### Risque de noyade

1. Empêcher les enfants sans surveillance d'accéder à la piscine en installant une clôture ou autre barrière approuvée de tous les côtés de la piscine. Des lois ou des codes locaux ou nationaux peuvent exiger des clôtures ou des barrières approuvées. Vérifier ces directives légales avant d'installer la piscine.

2. Retirer les échelles de la piscine avant de quitter la piscine. Des enfants de 2 ans ont déjà grimpé des échelles, plongé dans des piscines et s'y sont noyés.
3. Les jouets, les chaises, les tables ou les objets similaires auquel un jeune enfant pourrait grimper doivent être à plus d'1,2 m de la piscine. Le système de filtration de la pompe doit être placé de manière à empêcher qu'il soit utilisé pour accéder à la piscine par de jeunes enfants. Ne laissez pas de jouets dans la piscine lorsque vous avez fini de l'utiliser, les jouets et les objets similaires peuvent attirer un enfant dans la piscine.
4. Positionnez les meubles (par exemple, les tables, les chaises, etc.) à l'écart de la piscine, pour empêcher les enfants d'y monter pour accéder à la piscine.

## Risques liés aux plongeurs

1. Les piscines résidentielles hors sol/hors sol sont réservées à la natation et à la pataugeoire. Aucun plongeur, toboggan ou autre équipement ne doit être ajouté à une piscine hors sol/creusée.
2. Ne pas plonger dans cette piscine. Un plongeur dans de l'eau peu profonde peut entraîner une fracture du cou, la paralysie ou la mort.

## Avertissements spéciaux

1. Les codes du bâtiment peuvent exiger l'obtention d'un permis de construire ou d'un permis électrique. L'installateur doit respecter la législation concernant les protections, les barrières, les dispositifs et toute autre condition.
2. Les signes de sécurité doivent être conformes aux exigences de la norme ANSI-Z535 et utiliser des termes d'avertissement.
3. NE PAS tenter de monter cette piscine dans des conditions météorologiques défavorables, venteuses, ou lorsque la température est inférieure à 15°C.

## Avertissement de sécurité supplémentaire

1. La supervision d'un adulte est obligatoire à tout moment.
2. Ne pas installer sur une plateforme ou une autre surface sur, au-dessus ou légèrement en-dessous du rail supérieur de la piscine.
3. Ne pas permettre le chahut ou les jeux dangereux.
4. Installer une(des) échelle(s) ou un escalier pour entrer et sortir de la piscine.
5. Expliquer aux utilisateurs de la piscine comment bien utiliser les échelles et les escaliers de la piscine.
6. Faire face à l'échelle pour monter ou descendre.
7. Vérifier régulièrement tous les écrous et les boulons pour s'assurer que l'échelle reste robuste.
8. Contacter le revendeur ou le fabricant de la piscine pour obtenir des signes de sécurité supplémentaires le cas échéant.
9. Pour la maintenance de la piscine, choisir un professionnel des piscines certifié. Pour obtenir plus d'informations sur la sécurité, voir [www.APSP.org](http://www.APSP.org)

## Carnets de sensibilisation des consommateurs et sources d'informations

**CONTACT** : Commission américaine de la sécurité des produits de consommation à l'adresse [www.cpsc.gov/safety-education/safety-guides/pools-and-spas](http://www.cpsc.gov/safety-education/safety-guides/pools-and-spas), Pub. N° 362 «Barrière de sécurité Directives pour les pools à domicile.»

1. Comment profiter de votre Spa ou de votre bain à remous de manière raisonnable
2. Les enfants ne sont pas étanches
3. Différents niveaux de protection
4. Mesures d'urgence pour les bébés et les enfants dans les piscines et Spas
5. Des exemplaires "Sensibilisation à la sécurité" des brochures susmentionnées sont disponibles gratuitement auprès de l'APSP. Aller à : [www.APSP.org](http://www.APSP.org)

## Des programmes et des matériaux éducatifs sur la sécurité

Programmes éducatifs et matériels (à savoir séminaires, colloques, brochures, vidéos, guides éducatifs) sont disponibles auprès de APSP, d'autres groupes de sécurité aquatiques et des entreprises privées. En vue de communiquer des renseignements utiles sur la sécurité aux propriétaires/opérateurs et utilisateurs des piscines, les membres de l'industrie sont permis à fournir de tels renseignements aux propriétaires/opérateurs et à leur demander ou exiger d'eux de signer un énoncé indiquant qu'ils ont reçu et lu les directives et qu'ils les suivront.

### Autres sources d'informations sur la sécurité :

- [www.cdc.gov](http://www.cdc.gov)
- [www.cpsc.gov](http://www.cpsc.gov)
- [www.drowningpreventionalliance.com](http://www.drowningpreventionalliance.com)
- [www.nspf.org](http://www.nspf.org)
- [www.safekids.org](http://www.safekids.org)

### UL Underwriters Laboratories

333 Pfingsten Road, Northbrook IL 60062-2096  
Contact: 847-272-8800  
[www.ul.com](http://www.ul.com)

### NSF NSF International

P.O. Box 130140  
789 N. Dixboro Road  
Ann Arbor MI 48105  
Contact: 800-673-6275 or 734-769-8010  
[www.nsf.org](http://www.nsf.org)

### ANSI American National Standards Institute

25 West 43rd Street, New York NY 10036  
Contact: 212-642-4900  
[www.ansi.org](http://www.ansi.org)

### Association APSP des professionnels de la piscine et du spa

(anciennement National Spa and Pool Institute)  
2111 Eisenhower Avenue, Ste. 500  
Alexandria VA 22314-4679  
Contact: 703-838-0083  
[www.apsp.org](http://www.apsp.org)

### ASTM ASTM International (anciennement American Society of Testing & Materials)

100 Barr Harbor Drive, P.O. Box C700 West Conshohocken, PA 19428-2959  
Contact: 877-909-2786 (USA & CANADA) or 610-832-9585 (International)  
610-832-9555 (fax)  
[www.astm.org](http://www.astm.org)

### ASME Société américaine des ingénieurs en mécanique

Deux Park Avenue, New York NY 10016-5990  
Contact: 800-843-2763 (U.S. & CANADA) or 973-882-1170 (International)  
[www.asme.org](http://www.asme.org)  
NSPI National Spa and Pool Institute (see APSP)

### NEC National Electrical Code (see NFPA)

NFPA National Fire Protection Association  
1 Batterymarch Park, Quincy MA 02169-7471  
Contact: 800 344-3555 (U.S. & Canada) or 617 770-3000 (International)  
[www.nfpa.org](http://www.nfpa.org)

## Risque de noyade, de coincement et d'accidents de plongée

Des publications sont disponibles décrivant les risques de noyade et de piégeage, et les accidents de plongeon. Les publications disponibles portant sur la sécurité des piscines comprennent les brochures de l'Association of Pool and Spa Professionals (APSP) intitulées : «Comment profiter de votre spa ou de votre bain à remous de manière raisonnable», «Les enfants ne sont pas étanches», «Mesures d'urgence pour les bébés et les enfants dans les piscines et spas», «Différents niveaux de protection», et la dernière publication de la norme «ANSI/APSP-8 Normes pour barrières de piscines résidentielles, de spas et de cuves thermales».

## Responsabilités de l'installateur

Tous les éléments doivent être placés de manière à empêcher qu'ils soient utilisés pour accéder à la piscine par de jeunes enfants.

(Véase la dernière publication de la norme «ANSI/APSP-8 Normes pour barrières de piscines résidentielles, de spas et de cuves thermales».)



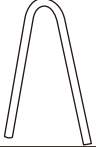

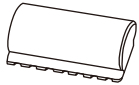
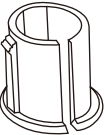

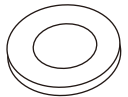

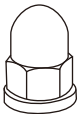

## ENTRETIEN

1. La boue peut provoquer des glissades. Gardez les barreaux de l'échelle propre et sans boue.
2. Resserrez régulièrement le matériel de fixation de l'échelle. UN MATÉRIEL DE FIXATION LÂCHE POURRAIT CAUSER DES RISQUES DE DANGER.






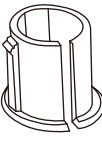

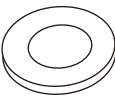

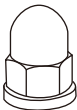

## LISTE DES PIÈCES

- CETTE ÉCHELLE EST CONÇUE ET FABRIQUÉE POUR UNE HAUTEUR DE PAROI DE PISCINE.
- REMOVE AND SECURE LADDER WHEN POOL IS NOT OCCUPIED!
- **VÉRIFIEZ LES CODES DE COULEUR INDIQUÉS SUR LES SUPPORTS DE SIGNALISATION DE L'ÉCHELLE N POUR LA COMMANDE DES PIÈCES DE RECHANGE.**

### Quantité de pièces

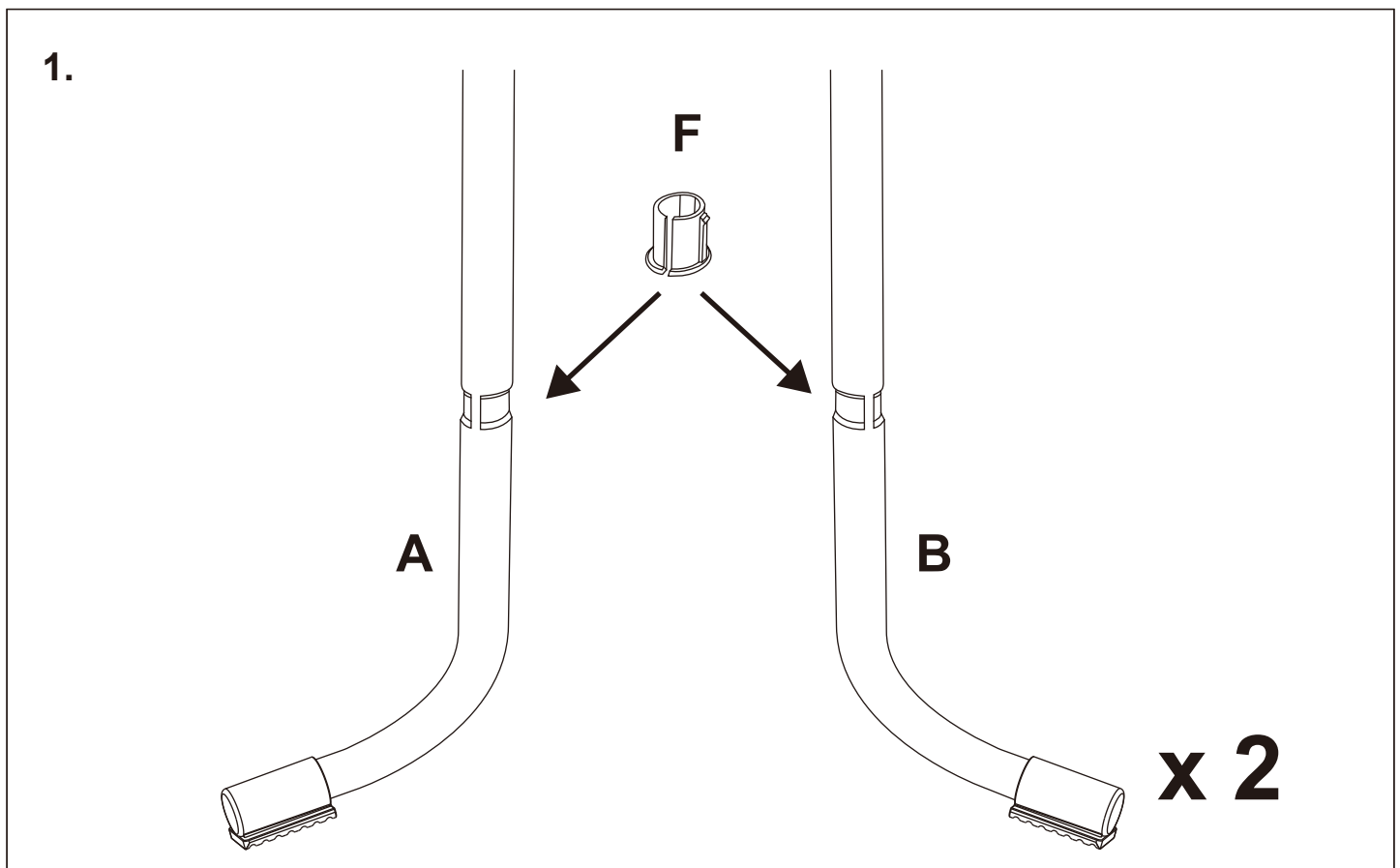
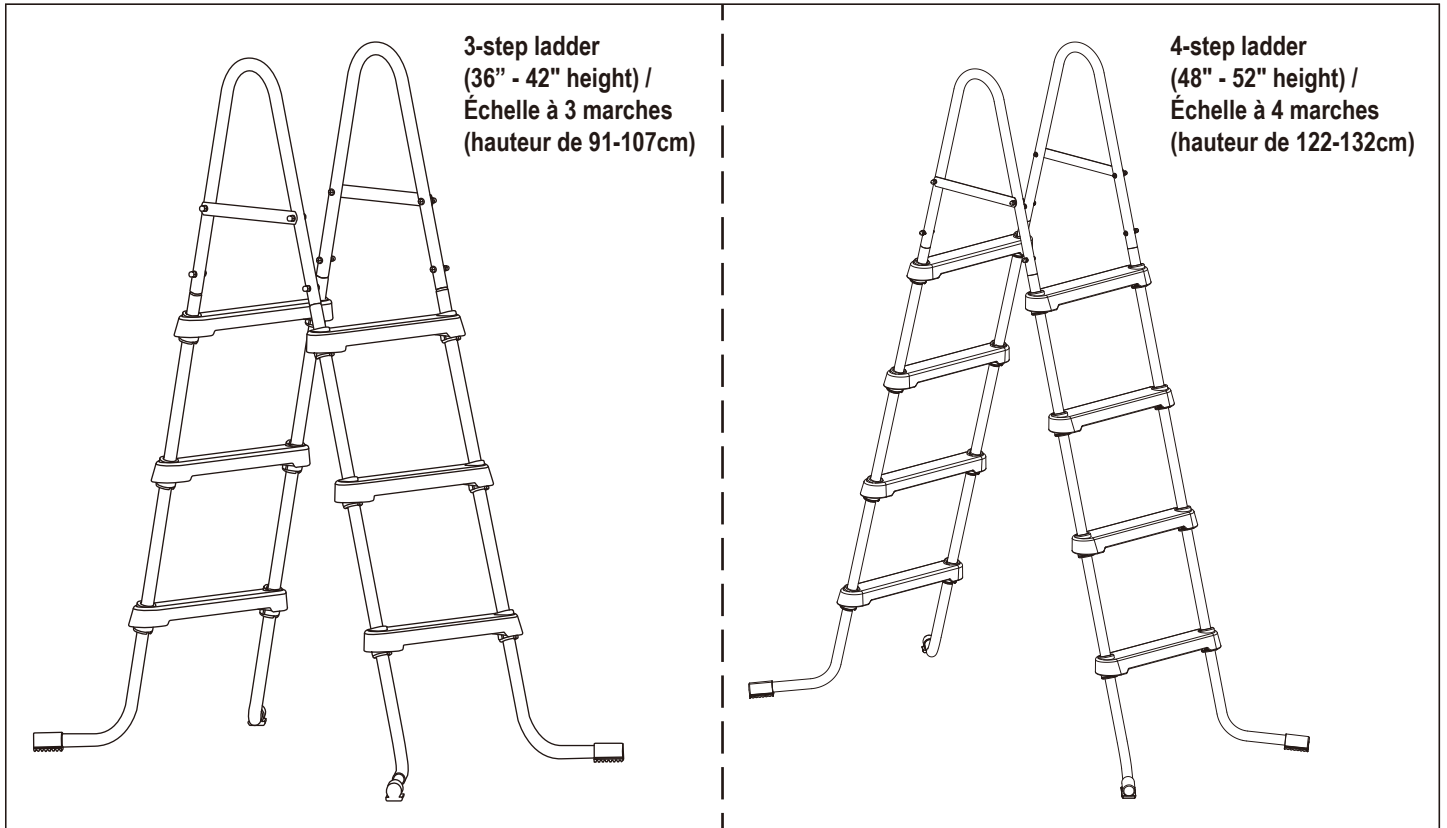
Touche	Description	36" (91 cm)	42" (107 cm)	48" (122 cm)	52" (132 cm)
<b>A</b> 	Jambe d'échelle(R)	2	2	2	2
<b>B</b> 	Jambe d'échelle(L)	2	2	2	2
<b>C</b> 	Main courante d'échelle	2	2	2	2
<b>D</b> 	Barreau d'échelle	6	6	8	8
<b>E</b> 	Capuchon d'échelle	4	4	4	4
<b>F</b> 	Clip de barreau d'échelle	12	12	16	16
<b>G</b> 	Vis de machine	8	8	8	8
<b>H</b> 	Rondelle	4	4	4	4
<b>L</b> 	Rondelle de blocage	8	8	8	8
<b>M</b> 	Écrou capuchon	8	8	8	8
<b>N</b> 	Support d'avertissement d'échelle	2	2	2	2

**Numéro de pièce**

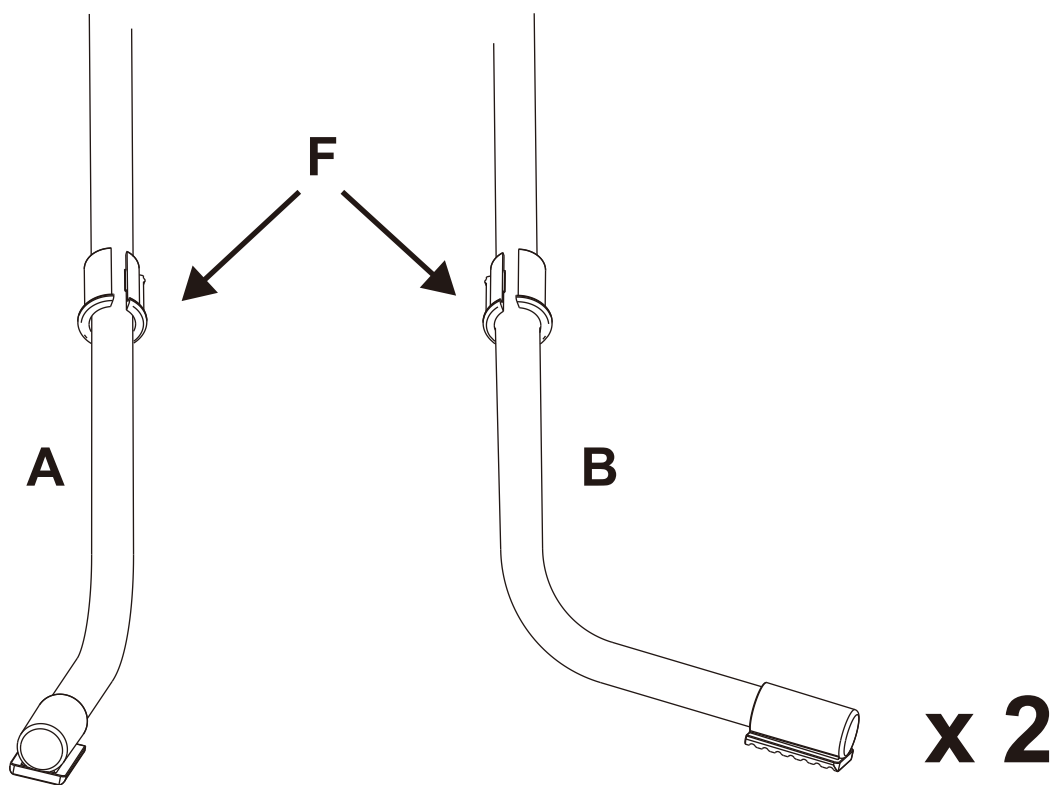
Touche	Description	Code couleur	36" (91 cm)	42" (107 cm)	48" (122 cm)	52" (132 cm)
<b>A</b> 	Jambe d'échelle(R)	A	P5901510350W	P5901511860W	P5901513400W	P5901514720W
		B/E	P5901510350C	P5901511860C	P5901513400C	P5901514720C
		C	P5901510350K	P5901511860K	P5901513400K	P5901514720K
		D	P5901510350N	P5901511860N	P5901513400N	P5901514720N
<b>B</b> 	Jambe d'échelle(L)	A	P5901510351W	P5901511861W	P5901513401W	P5901514721W
		B/E	P5901510351C	P5901511861C	P5901513401C	P5901514721C
		C	P5901510351K	P5901511861K	P5901513401K	P5901514721K
		D	P5901510351N	P5901511861N	P5901513401N	P5901514721N
<b>C</b> 	Main courante d'échelle	A	P5911010900W	P5911010900W	P5911010900W	05811010900W
		B/E	P5911010900C	P5911010900C	P5911010900C	P5811010900C
		C	P5911010900K	P5911010900K	P5911010900K	P5811010900K
		D	P5911010900N	P5911010900N	P5911010900N	P5811010900N
<b>D</b> 	Barreau d'échelle	A	P59PF0052B01	P59PF0052B01	P59PF0052B01	P59PF0052B01
		B	P59PF0052W05	P59PF0052W05	P59PF0052W05	P59PF0052W05
		C	P59PF00527CN	P59PF00527CN	P59PF00527CN	P59PF00527CN
		D	P59PF00528UN	P59PF00528UN	P59PF00528UN	P59PF00528UN
		E	P59PF0052C01	P59PF0052C01	P59PF0052C01	P59PF0052C01
<b>E</b> 	Capuchon d'échelle	A	P59PF0090B01	P59PF0090B01	P59PF0090B01	P59PF0090B01
		B	P59PF0090W05	P59PF0090W05	P59PF0090W05	P59PF0090W05
		C	P59PF00907CN	P59PF00907CN	P59PF00907CN	P59PF00907CN
		D	P59PF00908UN	P59PF00908UN	P59PF00908UN	P59PF00908UN
		E	P59PF0090C01	P59PF0090C01	P59PF0090C01	P59PF0090C01
<b>F</b> 	Clip de barreau d'échelle	A	P59PF0070B01	P59PF0070B01	P59PF0070B01	P59PF0070B01
		B	P59PF0070W05	P59PF0070W05	P59PF0070W05	P59PF0070W05
		C	P59PF00707CN	P59PF00707CN	P59PF00707CN	P59PF00707CN
		D	P59PF00708UN	P59PF00708UN	P59PF00708UN	P59PF00708UN
		E	P59PF0070C01	P59PF0070C01	P59PF0070C01	P59PF0070C01
<b>G</b> 	Vis de machine	A/B/C/D/E	P5911600350A	P5911600350A	P5911600350A	P5911600350A
<b>H</b> 	Rondelle	A/B/C/D/E	P5942M60000A	P5942M60000A	P5942M60000A	P5942M60000A
<b>L</b> 	Rondelle de blocage	A/B/C/D/E	P5943M60000A	P5943M60000A	P5943M60000A	P5943M60000A
<b>M</b> 	Écrou capuchon	A/B/C/D/E	P59231M6000A	P59231M6000A	P59231M6000A	P59231M6000A
<b>N</b> 	Support d'avertissement d'échelle	A	P5942003021W	P5942003021W	P5942003021W	P5942003021W
		B/E	P5942003021C	P5942003021C	P5942003021C	P5942003021C
		C	P5942003021K	P5942003021K	P5942003021K	P5942003021K
		D	P5942003021N	P5942003021N	P5942003021N	P5942003021N



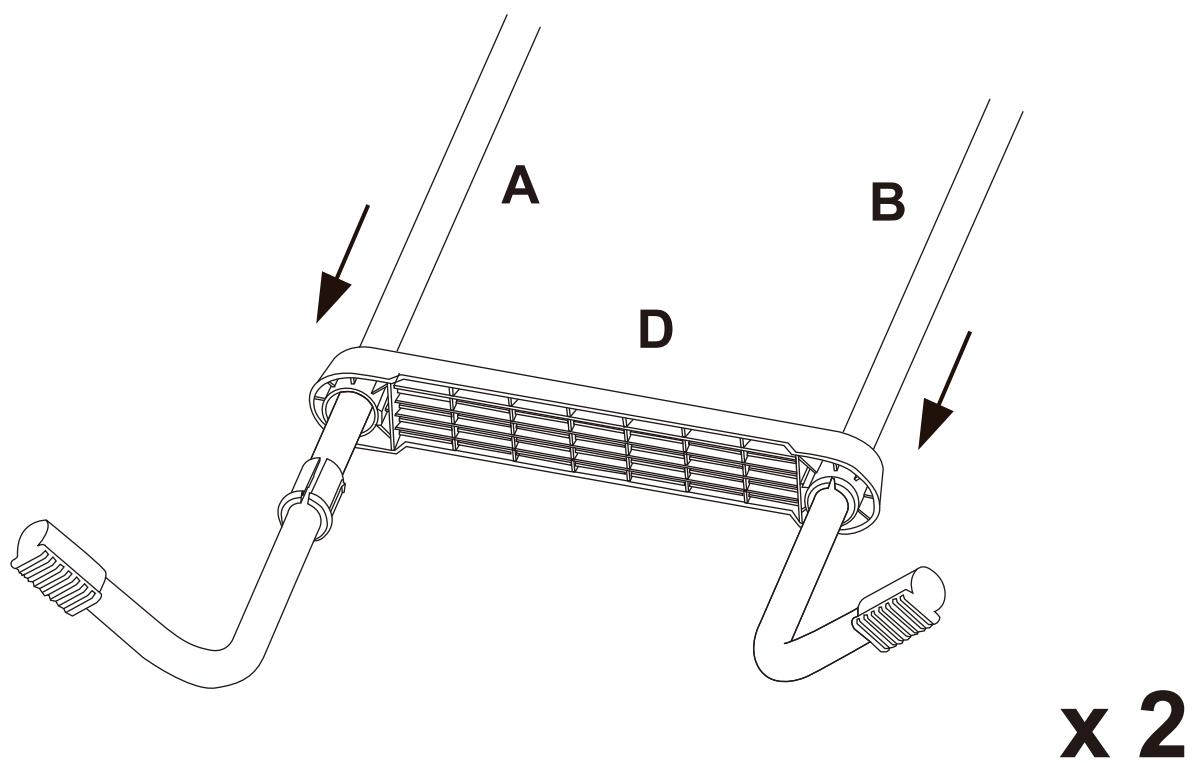
**SETUP INSTRUCTIONS / INSTRUCTIONS D'INSTALLATION**



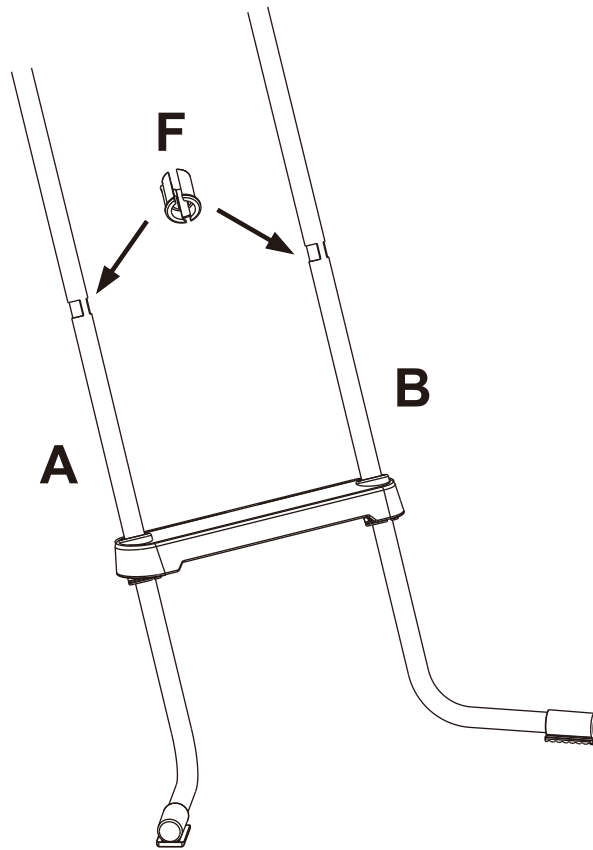
2.



3.

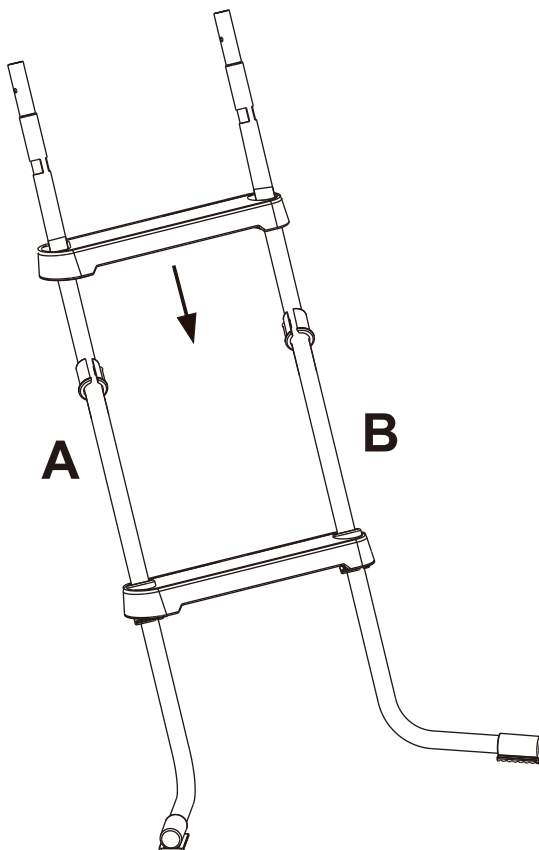


4.



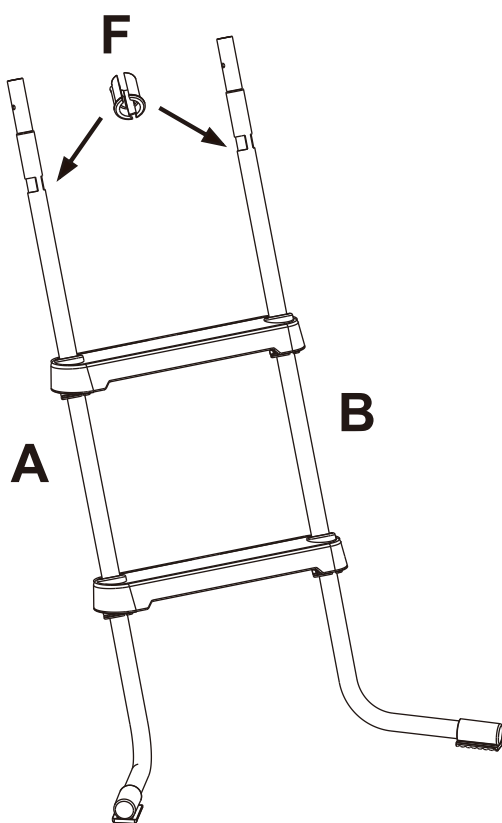
x 2

5.



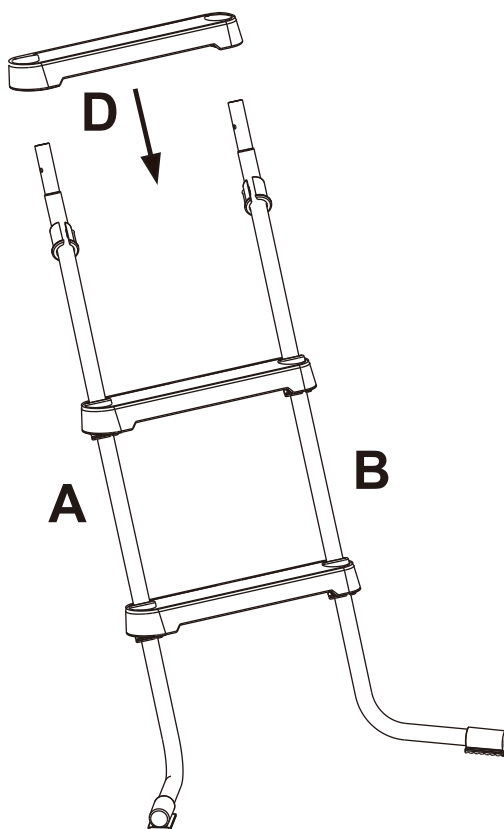
x 2

6.



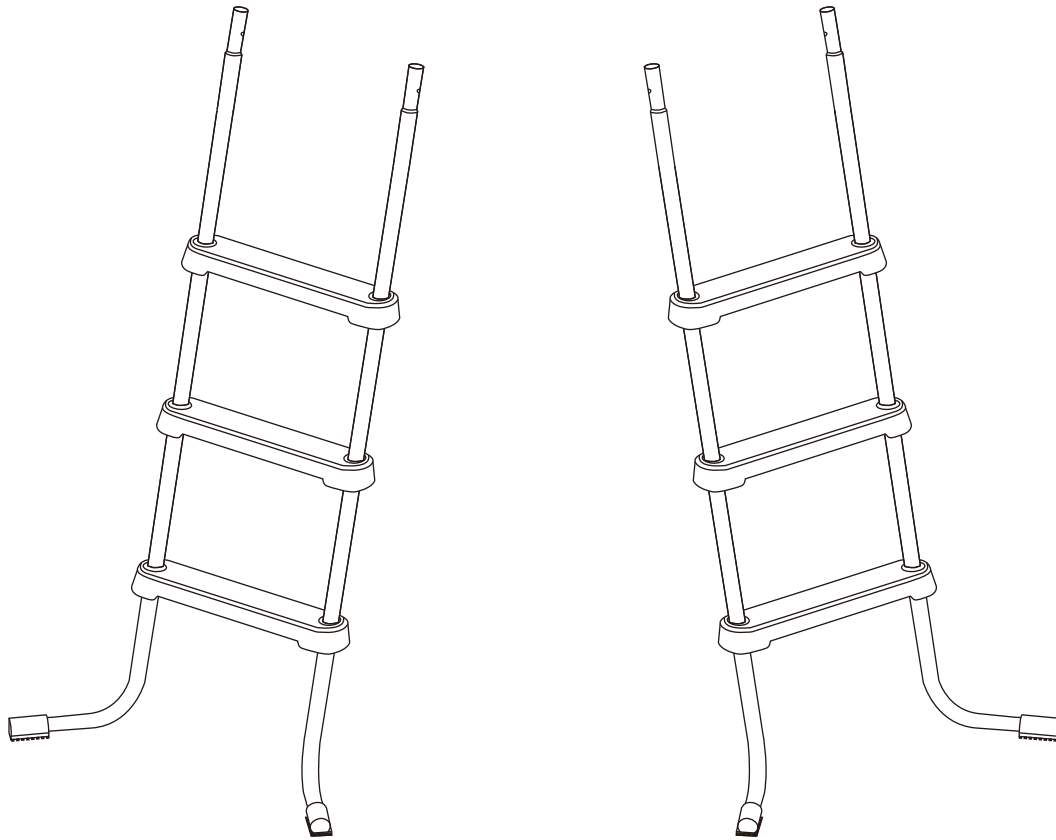
x 2

7.

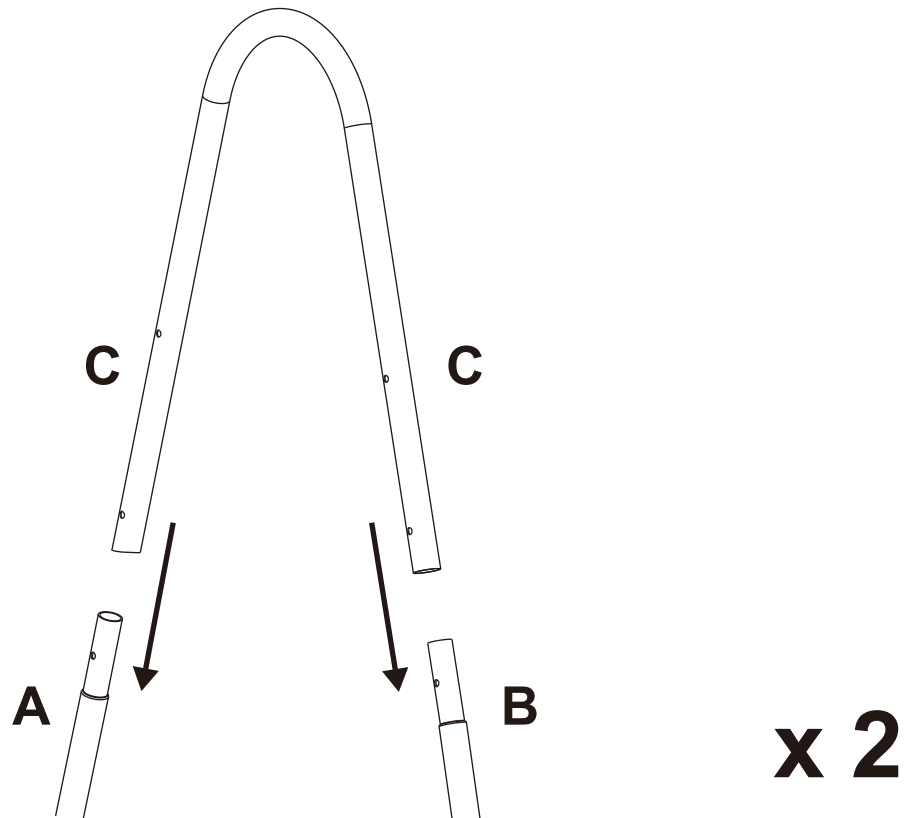


x 2

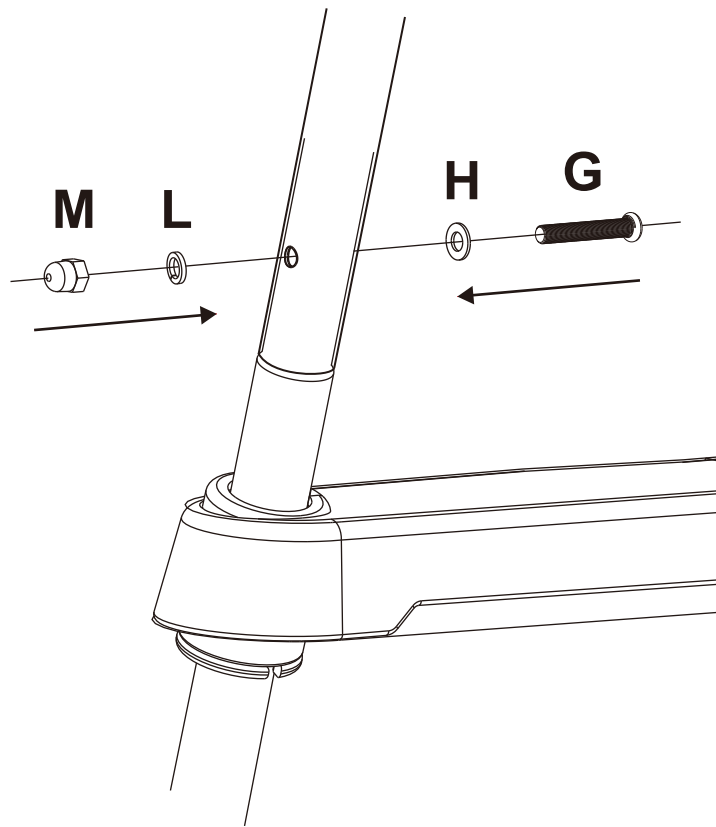
8.



9.

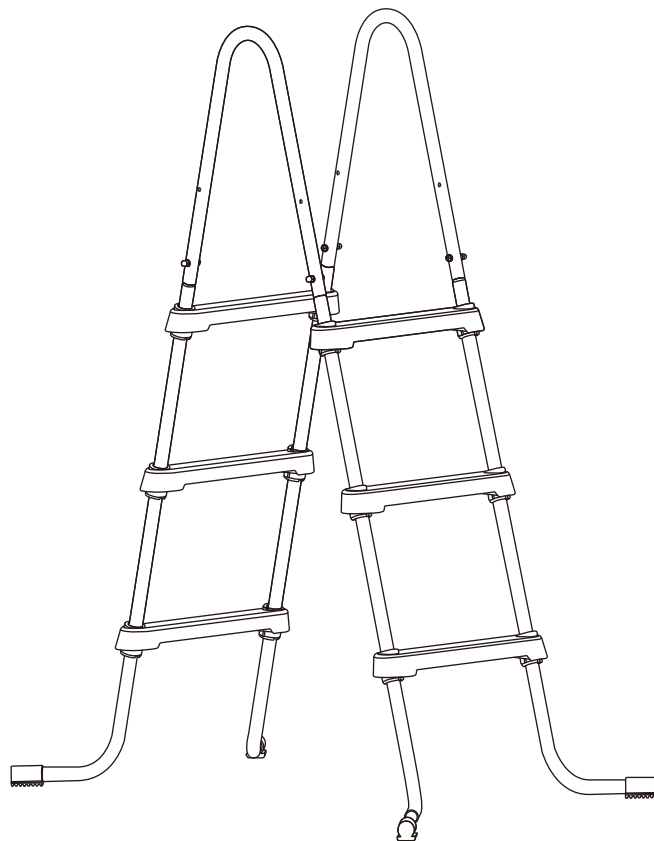


10.

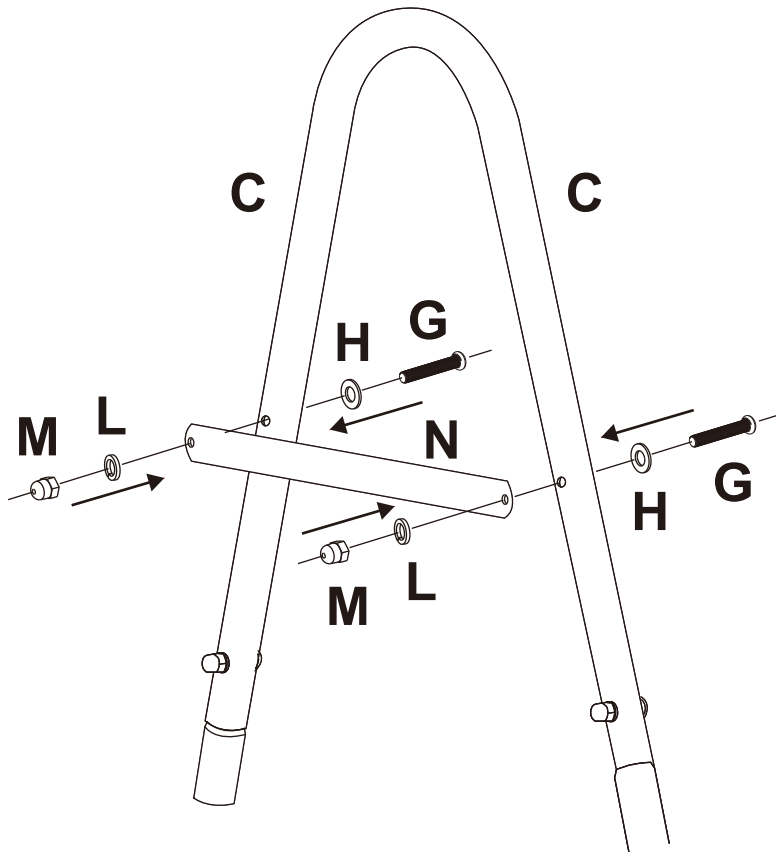


x 4

11.



12.



x 2

13.

