



MUSTEE

14 UTILATUB® Floor Mount Laundry/Utility Tubs — Economy

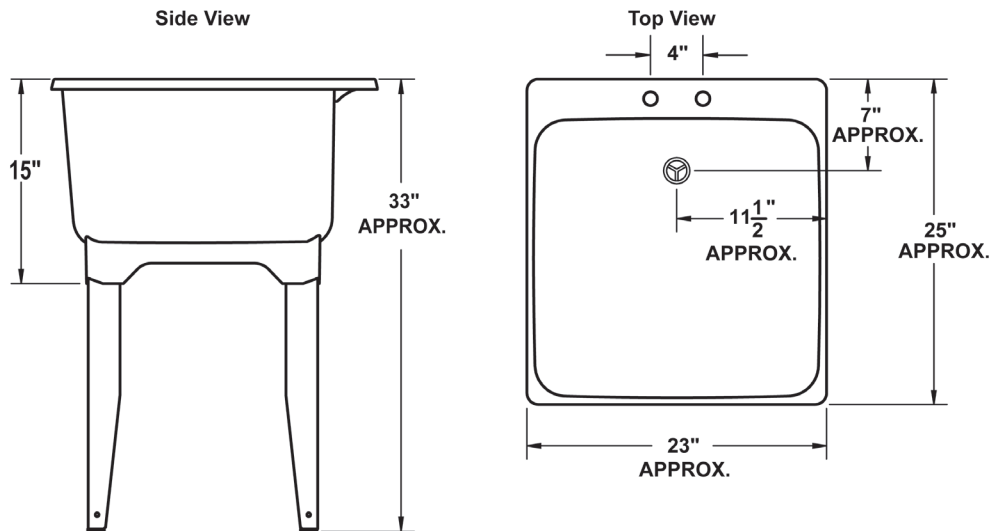


Design features:

- One piece molded construction, using Mustee's Co-Polypure™ resin
- 20 Gallon capacity, extra deep 13" tub with smooth surface
- Leakproof, integrally molded-in drain with stopper
- Connects to standard 1-1/2" P or S trap
- Accommodates dual-handle faucet with 4" center
- Includes finished steel legs with adjustable levelers
- Mold and mildew-resistant components
- Easy to assemble and install
- Color-fast white finish

Specifications

Colors & Models:	Model	Mounting	H x W x D	UPC
White	14	Floor	33" x 23" x 25"	6 71031 00011 8



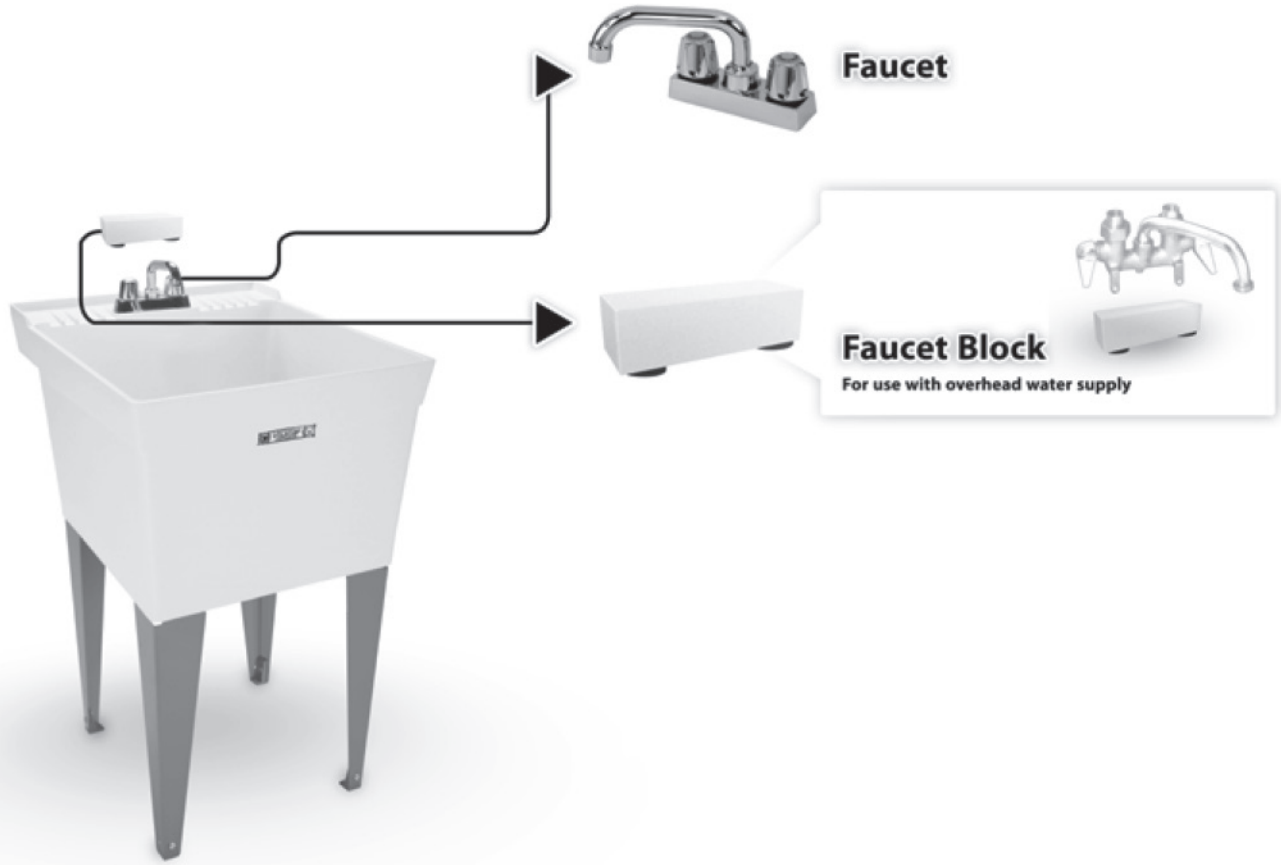
General: Furnish and install as shown on plans, UTILATUB® Laundry/Utility Tub model 14, as manufactured by E.L. Mustee & Sons, Inc. Tub shall be one-piece molded construction using Co-Polypure™ resin with matched metal molds under extreme heat and pressure. Tub to include integrally molded drain assembly for connection to standard 1-1/2" P or S-trap, stopper and finished steel legs with built-in levelers. 20 gallon capacity tub, 13" deep. Shall meet ANSI Z 124-2011. Color: White. Weight: 16 lbs.



MUSTEE

E.L. Mustee & Sons, Inc. • 5431 West 164th Street • Brook Park, OH 44142 • Phone: 216.267.3100 • Fax: 216.267.9997
 E-mail: info@mustee.com. • Web: www.mustee.com • Proudly made in the USA

Notice: Our continuous commitment to product improvement may result in changes to product specifications without notice. Patents pending. Made and Printed in U.S.A.



Faucet



Model No.

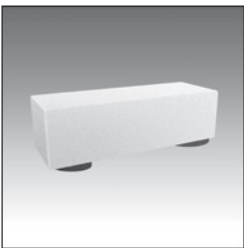
93.600

UPC

6 71031 00232 7

Chrome finish, 4" center set brass faucet. 7" swing spout with aerator, level handles, replaceable seats and stems. Aerator or hose end.

Faucet Block



Model No.

20.600

UPC

6 71031 00031 6

Used when water supply lines are above the tub. Mounts to tub shelf when using a clamp-on faucet.

