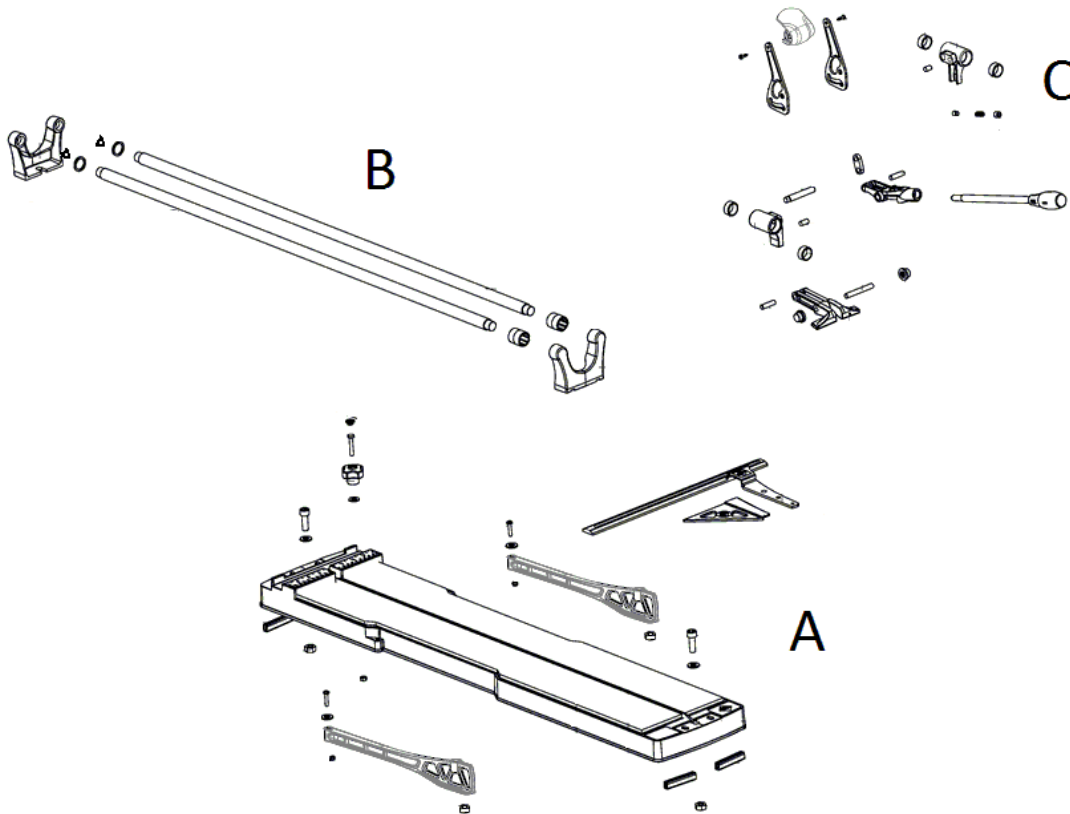


SPEED-36 INCH PLUS

1000035769 00 14/09/2018

Página 1 de 4



Part-list	ES	EN	Prod.
1	A	GRUPO BASE	BASE GROUP
2	B	GRUPO GUIAS	GUIDE GROUP
3	C	GRUPO PORTAHERRAMIENTAS	TOOLHOLDER GROUP

Prod.	ES	EN	From serial num.
14970	SPEED-36" PLUS THD	SPEED-36" PLUS THD	-
14996	SPEED-36" PLUS CON MALETA THD CAN	SPEED-36" PLUS W/CASE THD CAN	-

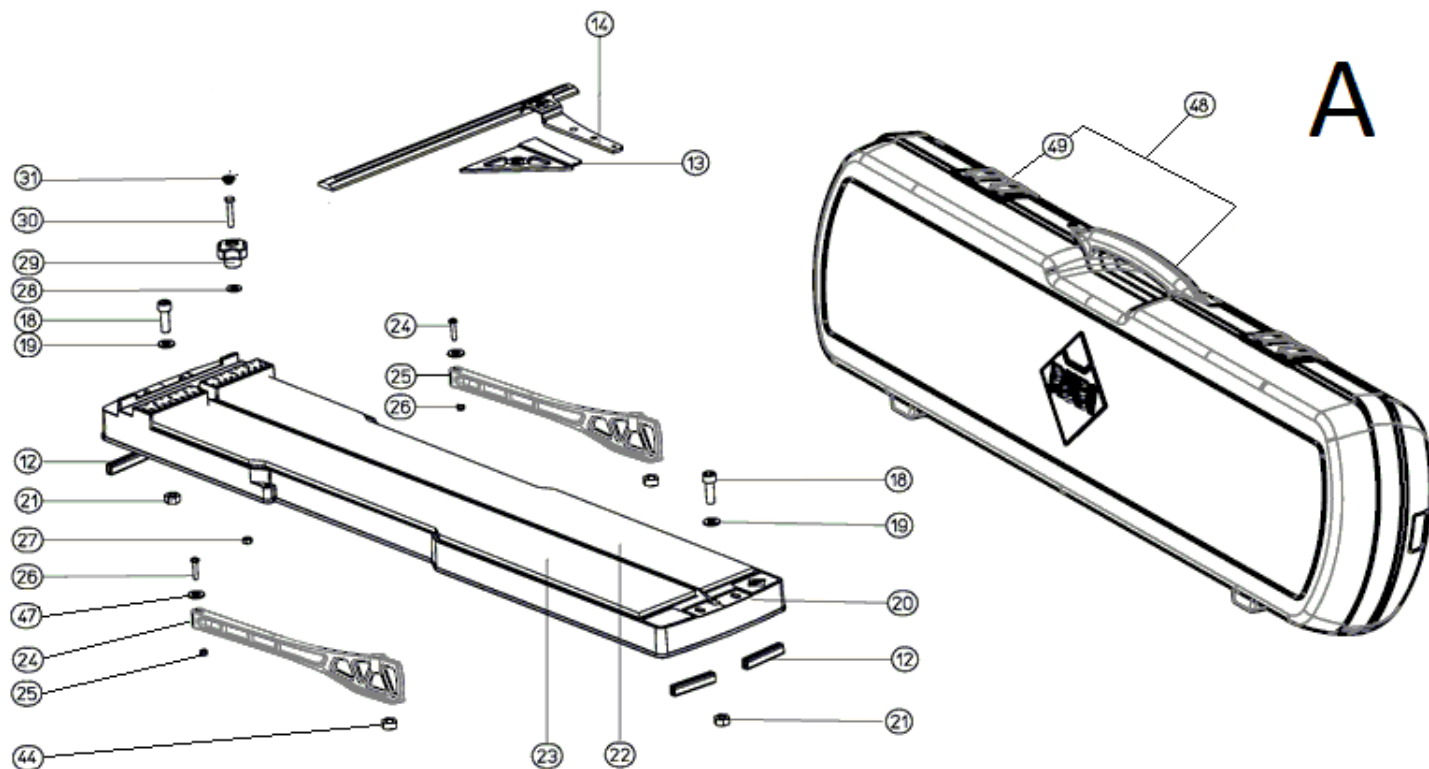
Queda reservado el derecho de introducir cualquier modificacion técnica sin previo aviso

We reserve the right to introduce any technical modification without previous notice

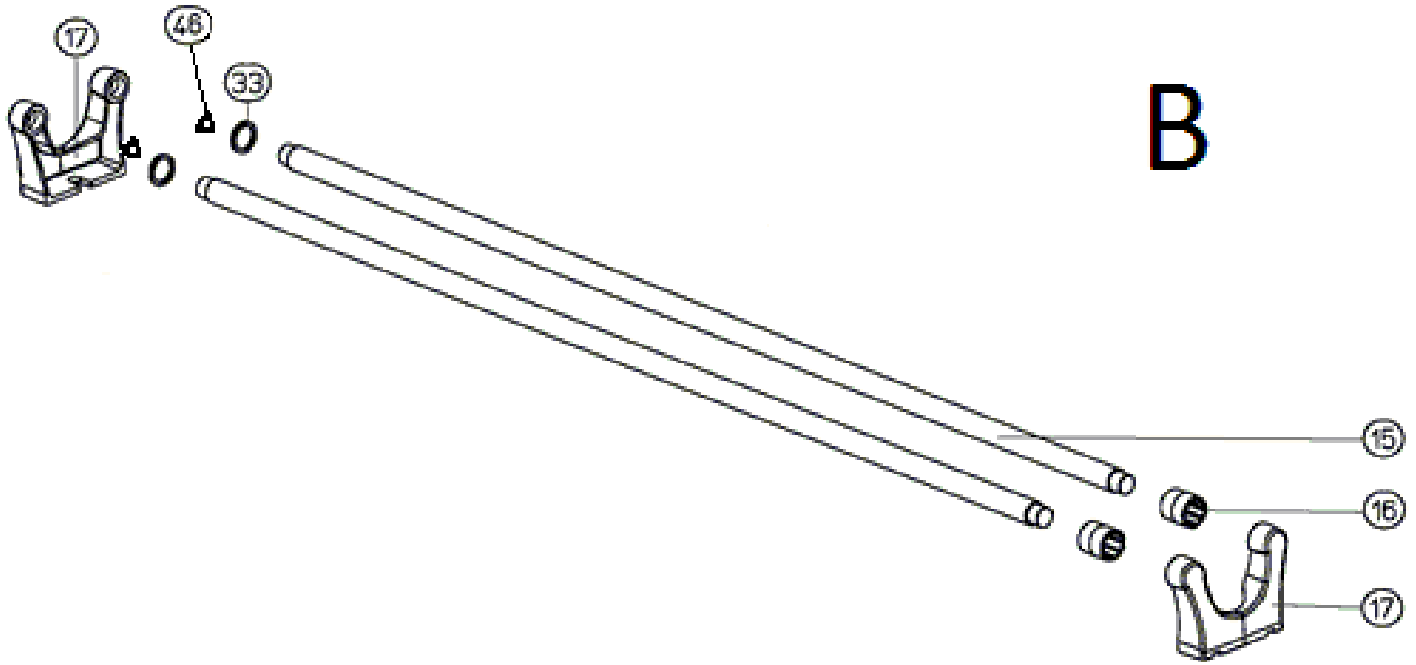
SPEED-36 INCH PLUS

1000035769 00 14/09/2018

Página 2 de 4

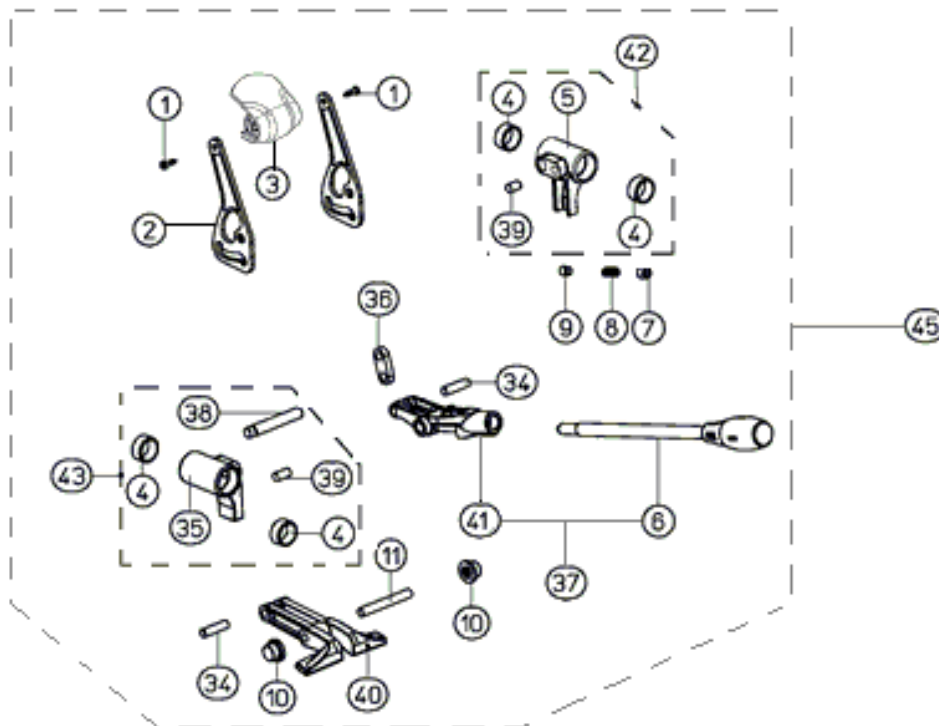


Part-list	ES	EN	Prod.	
12	13143 4	PIE DE GOMA BASE SPEED-62	BASE RUBBER SPEED-62/72/92	
13	13436 1	SUPLEMENTO 45° V2	45° SUPPLEMENT V2	
14	13440 1	TOPE LATERAL SPEED V2	LATERAL STOP SPEED V2	
18	13175 2	TORN DIN 912 M10X30 8.8 ZN	SCREW DIN 912 M10X30 8.8 ZP	
19	56017 2	ARAND DIN 125 A10,5 ZN	WASHER DIN 125 A10,5 ZP	
20	13444 1	BASE SPEED-92 ARENADA V3	SANDY BASE SPEED-92 V3	
21	50150 2	TUERCA DIN 934 M10 CL8 ZN	HEX NUT DIN 934 M10 CL8 ZP	
22	13416 1	CJ.GOMAS BASE SPEED-92	RUBBER SET SPEED-92	
23	13416 1	CJ.GOMAS BASE SPEED-92	RUBBER SET SPEED-92	
24	13443 1	PATA DE APOYO SPEED-72/92 V2 NEUTRO	LATERAL ARM SPEED-72/92 V2 WO/LOGO	
25	40045 2	TUERCA DIN 985 M5 CL8 ZN AUTOBLOC	HEX LOCK NUT DIN 985 M5 CL8 ZP	
26	70311 2	TORN DIN 7985 M5X25 6.8 ZN	SCREW DIN 7985 M5X25 6.8 ZP	
27	15132 1	TUERCA DIN 934 M6 CL8 ZN	HEX NUT DIN 934 M6 CL8 ZP	
28	45038 1	ARAND DIN 9021 A6,4 ZN	WASHER DIN 9021 A6,4 ZP	
29	13255 1	POMO M6 ESTANDAR ROJO V2	RED STANDARD M6 KNOB V2	
30	56370 1	TORN DIN 933 M6X50 INOX ZN	SCREW DIN 933 M6X50 SS A2	
31	57485 1	TAPON POMO M6 ROJO	RED COVER KNOB M6	
44	17718 2	CONTERA GOMA ESF.Ø 15X17	RUBBER BUMPER Ø15X17	
47	56035 2	ARAND DIN 125 A5,3 ZN	WASHER DIN125 A5,3 ZP	
48	13350 1	MALETA SPEED-92/R	CASE SPEED-92/R	14996
48	13350 0	MALETA SPEED-92/R	CASE SPEED-92/R	14970
49	15761 2	CIERRE MALETA 89X54 TS50/60,TR,TM,TX	PLASTIC LATCH 89X54 (TS50/60,TR,TM,TX)	14996
49	15761 0	CIERRE MALETA 89X54 TS50/60,TR,TM,TX	PLASTIC LATCH 89X54 (TS50/60,TR,TM,TX)	14970



Part-list	ES	EN	Prod.
15	13010 2	GUIA C.SPEED-36"	GUIDE C.SPEED-36"
16	13383 2	TOPE CORREDERA Ø20X26X27	CARRIER TOP 20X26X27
17	13009 2	SOPORTE GUIAS SPEED-36"	GUIDE SUPPORT SPEED-36"
33	13336 2	TOPE CORREDERA Ø20X26X2	CARRIER TOP 20X26X2
46	12693 2	TACO GOMA FAST	RUBBER STOPPER FAST

C



Part-list	ES	EN	Prod.
1	50211 2	TORN DIN 7981 3,9X16 ST 6.8 ZN	SCREW DIN 7981 3,9X16 ST 6.8 ZP
2	19187 2	LEVA CORTADOR MAXIMA	CAM C.MAXIMA
3	19779 1	POMO LEVA CORTADOR HIT	CAM HANDLE HIT CUTTER
4	13367 4	COJINETE 20X24X12	BEARING 20X24X12
5	13362 1	CORREDERA S/EJE SPEED PL.72	SLIDER WO/AXLE SPEED PL.72
6	17837 1	CJ.MANGO TR-400/600	HANDLE SET TR-400/600
7	15129 1	TORN FRENO PORTAHERRAM.TS	BRAKE SCREW TS
8	15128 1	MUELLE FRENO PORTAHERRAM.	TOOLHOLDER BRAKE SPRING
9	15113 1	TACO DE NYLON Ø 5.5X 1.5 K-180	NYLON STOPFEN DIA.5.5X 1.5 K-180
10	17131 2	TACO DESLIZANTE TR-400/600	SLIDING STOPPER TR-400/600
11	17130 2	EJE DESLIZANTE TR-400/600	SLIDING AXLE TR600
34	17100 2	PASADOR CILINDRICO Ø 8X30	CILINDRIC FASTENER DIAM 8X30
35	13361 1	CORREDERA C/EJE SPEED PL.72	SLIDER W/AXLE SPEED PL.72
36	17207 1	BIELA TR/TX	CONNECTING ROD TR/TX
37	13849 1	CJ.PORTAHERRAM.SPEED PLUS CON MANGO	SEPARATOR SET SPEED PLUS W/HANDLE
38	15127 1	EJE Ø 8X66	AXIS DIA.10X66
39	13369 2	EJE Ø 8X14	AXIS DIA.8X14
40	17563 1	PISADOR SPEED PLUS	BREAKING FEET SPEED PLUS
41	13837 1	COM.PORTAHERRAM.PINT.SPEED PL.	PAINTED TOOLHOLDER SPEED PL.
42	13836 1	CJ.CORRED.S/E PINT.SPEED PL.72	PAINT WO/AXCE CARRIER SET SPEED PL.72
43	13835 1	CJ.CORRED.C/E PINT.SPEED PL.72	PAINT W/AXCE CARRIER SET SPEED PL.72
45	13853 1	CJ.SEPARADOR SPEED PLUS THD	SEPARATOR SET SPEED PLUS THD