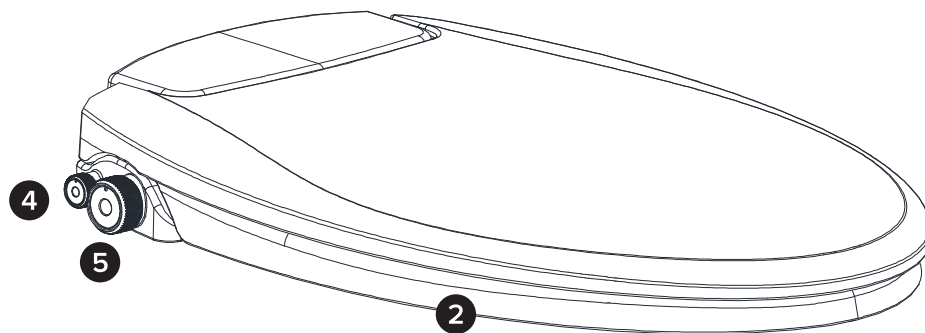
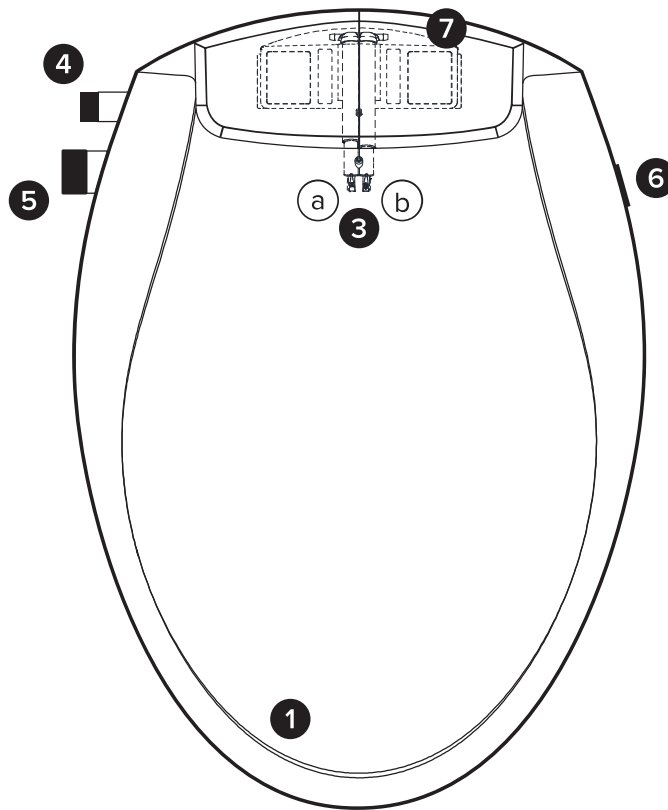


PRODUCT PARTS

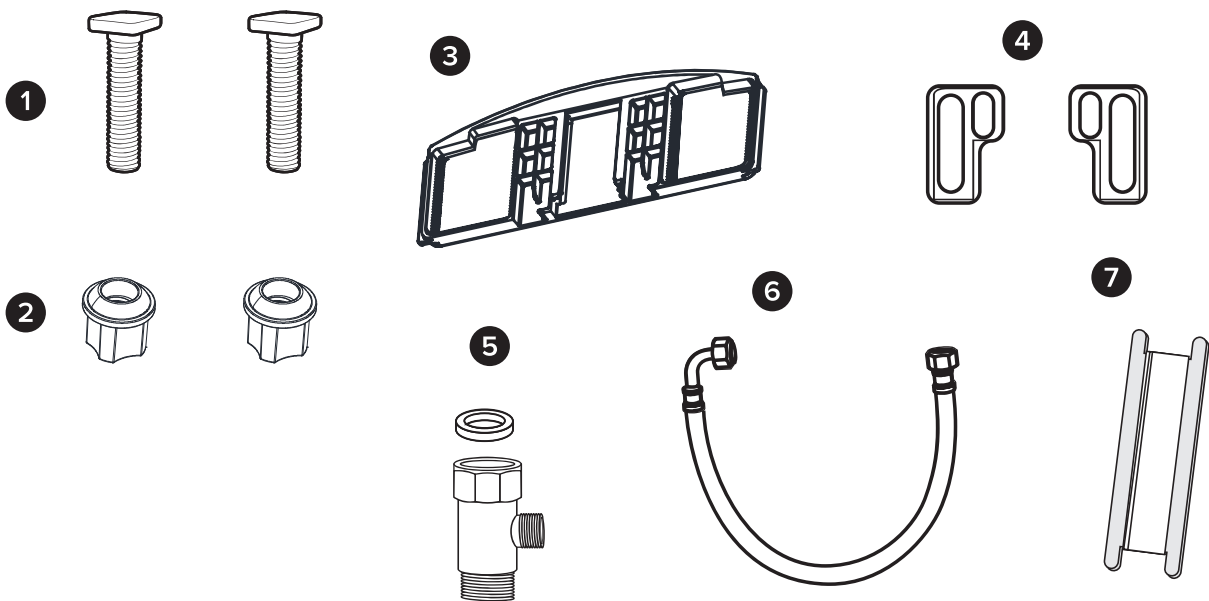
1. Lid
2. Seat
3. Wash Wands
 - a. Posterior Wand
 - b. Front Wand
4. Cold Water Inlet
5. Wash Control Knob
6. Quick Release Button
7. Mounting Plate



PRODUCT INSTALLATION

INSTALLATION PARTS

1. Mounting Bolt (2)
2. Barrel Nut (2)
3. Mounting Plate
4. Adjustable Bracket
5. T-Valve Connector With Washer
6. 27.5" Cold Water Braided Metal Hose
7. Teflon Tape



CONNECTING COLD WATER SUPPLY

Please read these instructions carefully before installing the Swash. Failure to do so could result in flooding, leaking or damage to the product.

1. Existing Toilet Seat Removal
 - a. Lift hinge covers and use a screwdriver to remove the mounting bolts.
 - b. Remove the toilet seat.

NOTE: Steps may vary by type of seat and toilet.

PRODUCT INSTALLATION (cont.)

CONNECTING COLD WATER SUPPLY (CONT.)

2. Turn off Water Supply Valve and flush toilet
 - a. Turn Water Valve off to stop the flow of water.
 - b. Flush toilet and hold down handle to completely empty tank.
 - c. Disconnect Water Supply Hose from toilet tank.
Do not disconnect from the Water Supply Valve.

NOTES:

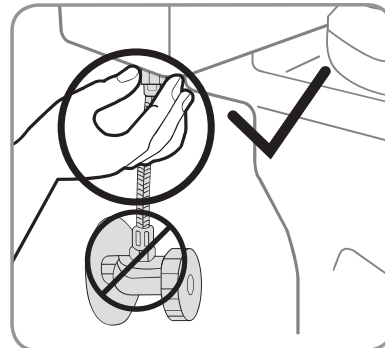
- You may wish to place a container under the tank to catch any excess water.
- Do not continue without completing the above steps.
- Failure to do so could result in flooding, leaking or damage to the Swash.

3. Connect T-valve to the Toilet Tank Fill Valve
 - a. Place the Rubber Washer into the T-valve.
 - b. Install the T-valve with the rubber washer to the incoming water connection on the bottom of your toilet tank.

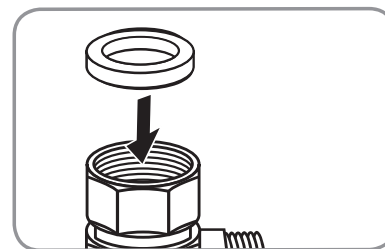
NOTES:

- The T-valve connects to the fill valve directly under your toilet tank - it does not connect at the wall.
- Only connect to the toilet cold water supply line.
- If your water supply line is rigid, you may need to replace it before continuing.

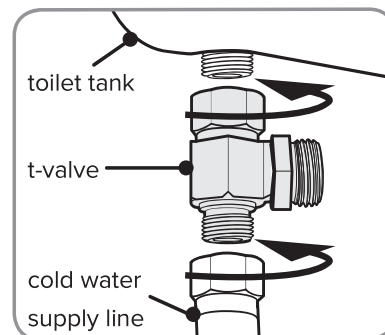
4. Connect the water supply line coming from the wall to the bottom of the T-valve.



Step 2c



Step 3a

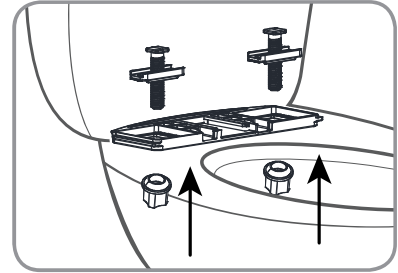


Steps 3-4

CONNECTING COLD WATER SUPPLY (CONT.)

5. Install Mounting Plate

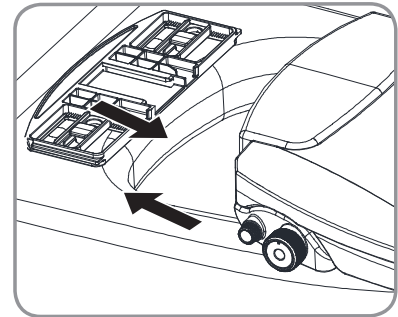
- a. Place Adjustable Mounting Plate over mounting holes on toilet, rubber side faces down, curved edge faces toward the toilet tank.
- b. Place the Adjustable Brackets groove side down on the center of the square opening in the Mounting Plate, then insert Mounting Bolts through the Adjustable Brackets and through the bolt holes in your toilet. Be sure that the square Mounting Bolt Head is flush with the sides of the Adjustable Bracket.
- c. Slide Barrel Nut onto Mounting Bolts under the toilet bowl and tighten to keep mounting plate in place.



Steps 5b & 5c

6. Attach the Swash to the Mounting Plate

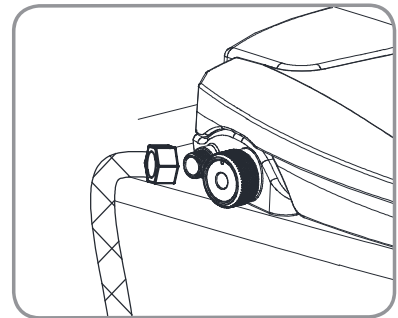
- a. Set the Swash flat on the toilet bowl in front of the Mounting Plate and slide Swash onto plate until it is secure and “clicks” into place.
- b. If the Swash appears too short or too long for the toilet, adjust the Mounting Plate accordingly. To adjust the Mounting Plate, loosen Barrel Nuts underneath the toilet and slide Swash forward or backwards as needed. Once the Swash is lined up properly, tighten Barrel Nuts to hold in place.



Step 6a

NOTES:

- If you follow the mounting directions in 6b and your seat still won't mount flush with the lip of your toilet, depending on the width of your toilet's bolt spread, you can insert the bolts through the top brackets above the main brackets on your Mounting Plate to move your seat up another $\frac{3}{4}$ inches.



Step 7a

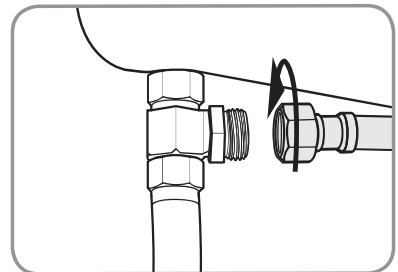
7. Connect the Bidet Hose to the Cold Water Inlet

- a. Connect the Bidet Hose to the Cold Water Inlet. Hand-tighten to secure. Take care not to twist the bidet hose, excessively bend it, or strip the plastic screw threads when screwing the hose onto the bidet seat.

8. Connect the open end of the Bidet Hose to the T-valve.

9. Turn on water supply

- a. Open the main water supply valve slowly and check for leaks.
- b. Wait 5 minutes, check again, and if there are no leaks, continue.



Step 8

PRODUCT OPERATION

SWASH OPERATION

With the intuitive Wash Control Dial on the right-hand side of your seat, you can easily select your wash settings and water pressure using these instructions:

Off

To close off the valve and stop the flow of water, turn the dial back to its original center position so that the indicator hash on the dial aligns with the top notch on the body of the seat.

Front Cleansing

For front (feminine) wash, turn the dial clockwise (or roll it forward) while seated. The further the dial is turned, the stronger the water pressure will be.

Rear Cleansing

For rear (posterior) wash, turn the dial counterclockwise (or roll it back) while seated. The further the dial is turned, the stronger the water pressure will be.

Self-Cleaning Nozzles

The nozzles will initially go through a brief self-clean as you turn the dial between front cleansing and rear cleansing and will last as long as the dial is in that position.

(Non-shaded area represents active setting.)

