



ELECTRIC BLOWER/VACUUM/ MULCHER

14-AMP | 4-IN-1 | PLUS: GUTTER CLEANING TUBES

OPERATOR'S MANUAL

A Division of Snow Joe®, LLC

Model SBJ606E-GA

Form No. SJ-SBJ606E-GA-MR4

IMPORTANT! Safety Instructions

All Operators Must Read These Instructions Before Use

Any electrical appliance can be dangerous if used incorrectly. Some of the safety precautions given in this manual apply generally to many appliances. Other warnings are specific to the use of this electric blower vac.

Always follow these safety guidelines. Failure to do so may result in serious bodily injury or death.

⚠️ DANGER! This indicates a hazardous situation, which, if not followed, will result in serious injury or death.

⚠️ WARNING! This indicates a hazardous situation, which, if not avoided, could result in serious injury or death.

⚠️ CAUTION! This indicates a hazardous situation, which, if not avoided, could result in minor or moderate injury.

General Safety

FOR HOUSEHOLD USE ONLY

Before using, be sure that everyone using this tool reads and understands all safety instructions and other information contained in this manual. Save this manual and review it frequently prior to using this tool and when instructing others on the proper operating procedures.

⚠️ CAUTION! Wear appropriate hearing protection during use. After long periods of extended use, the noise generated from this appliance may cause hearing loss if your ears are not properly protected.

⚠️ WARNING! When using electric yard tools, basic safety precautions should always be followed to reduce the risk of fire, electric shock, and personal injury, including the following:

- 1. Keep work area clean and well-lit** – Cluttered, dark areas invite accidents.
- 2. Replacement parts** – When servicing this unit, use only identical replacement parts. Replace or repair damaged cords immediately.
- 3. Keep children, bystanders, and pets away** – All spectators, including pets, should be kept a safe distance away from the work area.


- 4. Dress properly** – Do not wear loose clothing or jewelry as such articles can get caught in moving parts. Wear a protective covering to contain long hair. Wearing rubber gloves and substantial non-slip footwear is recommended when working outdoors.
- 5. Extension cords** – To prevent electric shock, use only with an extension cord suitable for outdoor use.
- 6. Avoid accidental starting** – Do not carry the blower vac with your finger on the switch. Make sure the switch is off before plugging in the unit.

⚠️ DANGER! Do not manually place objects into the vacuum tube while operating the unit as this can seriously damage the unit and/or harm the operator. Keep both hands on the handles while the power is on.

DO NOT ATTEMPT to remove material or hold material to be vacuumed when the blower vac is on. Make sure the blower vac is off when clearing jammed material from the vacuum tube. Do not pick up the blower vac by the tube or attempt to carry the unit by the tube.

⚠️ CAUTION! Moving parts will continue to run for several seconds after turning off the machine.

- 7. Do not abuse the cord** – Never carry the blower vac by the cord or yank the cord to disconnect it from the receptacle. Keep the cord away from heat, oil, and sharp edges.
- 8. Moving parts** – Keep hands and feet away from moving parts. Keep guards in place and in proper working order.
- 9. Do not force the tool** – It will perform better with less likelihood of personal or mechanical injury if it is used at the rate for which it is designed.
- 10. Wear personal protective equipment** – When using this tool, wear safety glasses with side shields or goggles to provide necessary eye protection. Wear ear defenders to prevent hearing damage. Use a face or dust mask if the work environment is dusty.
- 11. Disconnect the tool** – Disconnect the blower vac from the power supply when it is not in use, before servicing it, when changing accessories, and when performing any other maintenance task.
- 12. Store idle tool indoors** – When not in use, the blower vac should be stored indoors in a dry and high or locked-up place out of the reach of children.

- 13. **Maintain the blower vac with care** – Keep the blower tube and the fan area clear and clean for optimal performance and to reduce the risk of injury. Inspect the extension cord periodically and immediately replace it if damaged. Keep the handles dry, clean, and free from oil and grease. Follow the additional recommendations described in the maintenance section of this manual.
- 14. **Ground fault circuit interrupter (GFCI)** protection should be provided on the circuit(s) or outlet(s) that are to be used for the blower vac. Receptacles are available having built-in GFCI protection and may be used for this measure of safety.
- 15. **Use the right tool** – Do not use the tool for any job except that for which it is intended.
- 16.  **Double insulation** – Double insulation eliminates the use of the usual three-wire grounded power cords, thereby providing a measure of safety during the operation of electric power tools. In a double insulated appliance, all exposed metal parts are isolated from the internal metal motor components with protecting insulation. Double insulation tools do not need to be grounded.

NOTE: The double insulated system is intended to protect the user from shock resulting from a break in the tool's internal insulation. Observe all normal safety precautions to avoid electrical shock.
- 17. **Avoid dangerous environments** – Do not use the blower vac in rain, damp, or wet locations. Do not operate the blower vac in gaseous or explosive atmospheres or use the blower vac to pick up flammable or combustible liquids. Motors in these tools normally spark, and the sparks might ignite fumes.
- 18. **Stay alert** – Watch what you are doing. Use common sense. Do not operate the blower vac when you are tired or under the influence of drugs, alcohol, or other medication.

Additional Safety Instructions

- Use extra care when cleaning on stairs.
- Keep firm footing and maintain good balance at all times. Do not overreach. Overreaching can result in loss of balance.
- Turn off all controls before unplugging the tool.
- Do not use the tool if the power switch does not turn it ON or OFF. Any tool that cannot be controlled with the switch is dangerous and must be repaired.
- Do not use the tool with a damaged plug. If the tool is not working as it should or has been dropped, damaged, left outdoors, or dropped into water, return it to an authorized Snow Joe® + Sun Joe® dealer or contact the Snow Joe® + Sun Joe® customer service department at 1-866-SNOWJOE (1-866-766-9563).
- Do not pick up anything that is burning or smoking, such as cigarettes, matches, or hot ashes.
- Do not use without the dust bag and/or filters in place.

- Carefully inspect your appliance prior to use and follow all label and marking instructions.
- Keep the end of the blower tube away from your face and body.
- Always unplug this appliance before connecting or disconnecting the vacuum hose.
- Do not use for wet material.
- Keep all parts of your body away from any moving parts and all hot surfaces of the unit.
- Do not put any object into the tool's openings. Do not use the tool with any opening blocked; keep openings free of dust, lint, hair, or any other object that may reduce air flow.
- Check the work area before each use. Remove all objects such as rocks, broken glass, nails, wire, or string, which can be thrown or become entangled in the machine.
- Service on the product must be performed by qualified repair personnel only. Service or maintenance performed by unqualified personnel could result in injury to the user or damage to the product.
- This blower vac is intended for residential use only. Commercial use of this product is prohibited and will void the manufacturer's warranty.
- Never run the unit without the proper equipment attached. Always ensure the blower tubes are properly installed.

Specific Safety Rules for Blower Vacs

- This tool has been designed for blowing/collecting as well as vacuuming/shredding dry leaves and other dry garden rubbish, such as grass and twigs.
- When operating the unit as a blower, never point the blower nozzle in the direction of people or pets or in the direction of windows. Use extra caution when blowing debris near solid objects, such as trees, automobiles, and walls.
- Be sure to secure the unit when transporting it.
- Never douse or squirt the unit with water or any other liquid. Clean the unit after each use as described in the cleaning and storage section.

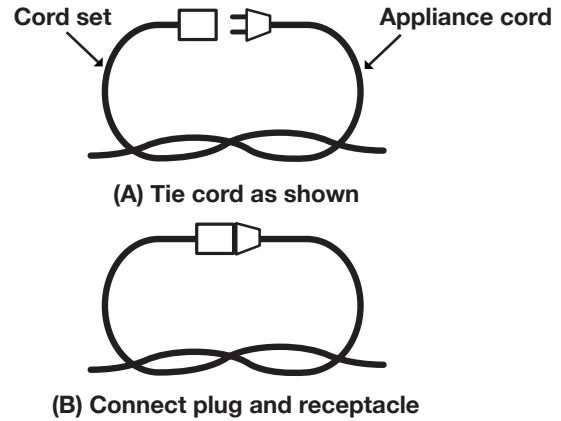
Electrical Safety

1. Ground fault circuit interrupter (GFCI) protection should be provided on the circuit(s) or outlet(s) to be used for this electric blower vac. Receptacles are available having built-in GFCI protection and may be used for this measure of safety.
2. Make sure that the mains voltage matches that listed on the unit's rating label. Using the improper voltage can damage the motor and injure the user.
3. To prevent electric shock, use only with an extension cord suitable for outdoor use, such as SW-A, SOW-A, STW-A, STOW-A, SJW-A, SJOW-A, SJTW-A, or SJTOW-A.

Before use, check that the extension cord is in good condition. When using an extension cord, make sure to use one heavy enough to carry the current your product will draw. An undersized cord will cause a drop in line voltage resulting in loss of power and overheating.


- To prevent the appliance cord from disconnecting from the extension cord during operation, make a knot with the two cords as shown in Table 1.

Table 1. Method of Securing Extension Cord





- Do not unplug by pulling on cord. To unplug, grasp the plug, not the cord. Do not abuse the cord. Never pull the blower vac by the cord or yank the cord to disconnect it from the receptacle. Keep the cord away from heat, oil, and sharp edges.

Double-Insulated Appliances

In a double-insulated appliance, two systems of insulation are provided instead of grounding. No grounding means is provided on a double-insulated appliance, nor should a means for grounding be added to the appliance. Servicing a double-insulated appliance requires extreme care and knowledge of the system, and should be performed only by qualified service personnel at an authorized Snow Joe® + Sun Joe® dealer. Replacement parts for a double-insulated appliance must be identical to the parts they replace. A double-insulated appliance is marked with the words “Double Insulation” or “Double Insulated.” The symbol  (square within a square) may also be marked on the appliance.

 **DOUBLE-INSULATED: GROUNDING NOT REQUIRED. WHEN SERVICING, USE ONLY IDENTICAL REPLACEMENT PARTS.**

This electric blower vac is double-insulated, eliminating the need for a separate grounding system. Use only identical replacement parts. Read the instructions before servicing double-insulated appliances. Use this blower vac only as described in this manual.


WARNING


Electric shock may cause SEVERE INJURY or DEATH. Heed these warnings:

- Do not allow any part of the electric blower vac to make contact with water while it is in operation. If the appliance becomes wet while turned off, wipe dry before starting.
- Use only a UL-, CSA-, or ETL-rated extension cord for outdoor, all-weather use, such as the Snow Joe® + Sun Joe® SJTW-A 14-gauge 50-foot extension cord with lighted end (Model PJEXT50-B). Visit sunjoe.com to purchase this extension cord online or, to order by phone, call 1-866-SNOWJOE (1-866-766-9563).
- Do not use an extension cord over 100 ft (30 m).
- Do not touch the appliance or its plug with wet hands or while standing in water. Wearing rubber boots offers some protection.

EXTENSION CORD CHART

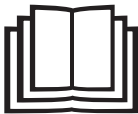







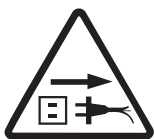


Extension Cord Length	Up to 50 ft (15 m)	+50 ft - 100 ft (+15 m - 30 m)
Wire Gauge (A.W.G.):	14	12

- To reduce the risk of electric shock, this appliance has a polarized plug (i.e. one blade is wider than the other). Use this appliance only with a polarized UL-, CSA-, or ETL-listed extension cord recommended for outdoor, all-weather use, such as the Snow Joe® + Sun Joe® SJTW-A 14-gauge 50-foot extension cord with lighted end (Model PJEXT50-B). Visit sunjoe.com to purchase this extension cord online or, to order by phone, call 1-866-SNOWJOE (1-866-766-9563).

The appliance plug will fit into a polarized extension cord only one way. If the appliance plug does not fit fully into the extension cord, reverse the plug. If the plug still does not fit, obtain a correct polarized extension cord. A polarized extension cord will require the use of a polarized wall outlet. The extension cord plug will fit into the polarized wall outlet only one way. If the plug does not fit fully into the wall outlet, reverse the plug. If the plug still does not fit, contact a qualified electrician to install the proper wall outlet. Do not modify the appliance plug, extension cord receptacle, or extension cord plug in any way.

Safety Symbols

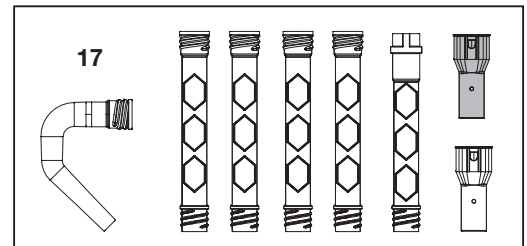
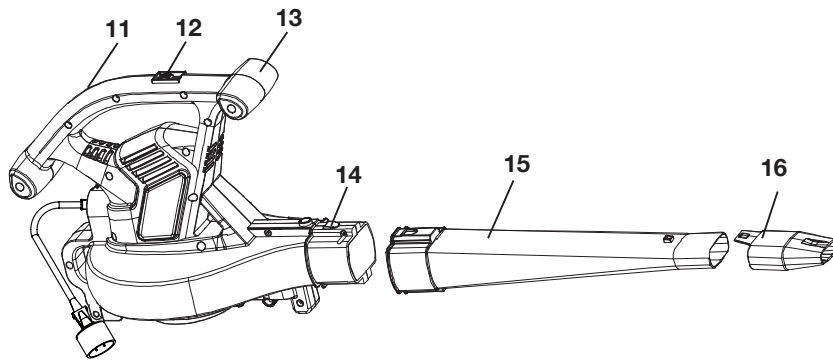
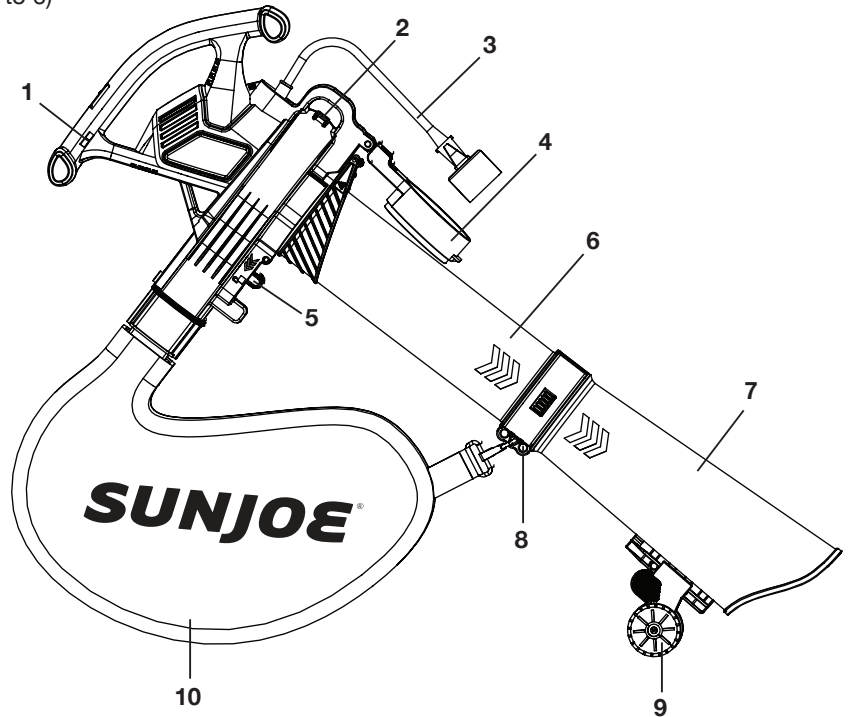
The following table depicts and describes safety symbols that may appear on this product. Read, understand, and follow all instructions on the machine before attempting to assemble and operate.

Symbols	Descriptions	Symbols	Descriptions
	READ THE OPERATOR'S MANUAL(S) – Read, understand, and follow all instructions in the user manual(s) before attempting to assemble and operate.		Keep bystanders and children a safe distance away.
	SAFETY ALERT – Indicates a precaution, a warning, or a danger.		WARNING! Do not expose the unit to rain or wet conditions.
	Beware of flying objects and debris.		Wear hearing protection. Wear eye protection. Wear breathing protection.
	DANGER! Rotating blades pose a serious risk of injury. Keep hair, clothing, and all body parts away from the air intake or any openings. Secure hair above shoulders and behind head. Do not let your hair or clothing get drawn into the appliance. Failure to keep hair, clothing, or body parts away from air intake could result in personal injury.		The rotating part will continuously run for several seconds after you turn off the machine.
	Immediately remove the plug from the mains if the power cable is damaged, frayed, or entangled. Always keep the power cable away from heat, oil, and sharp edges.		WARNING! Turn the machine OFF and disconnect it from the power supply before inspecting, cleaning, changing accessories, or conducting any other maintenance task.
	DOUBLE INSULATION – When servicing, use only identical replacement parts.		

Know Your Electric Blower/Vacuum/Mulcher

Read the owner's manual and safety instructions carefully before operating the electric blower vac. Compare the illustration below to the electric blower vac in order to familiarize yourself with the location of the various controls and adjustments. Save this manual for future reference.

1. Variable blower speed control (speed settings 1 to 6)
2. Cord retainer
3. Appliance cord
4. Vacuum/mulcher inlet cover
5. Vacuum/mulcher inlet cover lock button
6. Rear vacuum/mulcher tube
7. Front vacuum/mulcher tube
8. Strap holder
9. Wheel
10. Collection bag
11. Handle
12. ON/OFF switch
13. Auxiliary handle
14. Tube release button
15. Blower tube
16. Blower concentrator nozzle
17. Gutter cleaning attachment kit



NOTE: The green adapter is for use with iONBV Series only.

Technical Data

Power	14A	Variable Speed Settings	6
Rated Voltage	120V ~ 60 Hz	Mulch Reduction Ratio	16:1
No Load Speed	10,000 – 16,000 rpm	Mode Conversion	Blower to mulching vacuum
Rotor	Aluminum alloy impeller	Bag Capacity	18 gal (68 l)
Air Speed Max	250 mph (402 km/hr)	Blower Net Weight	6.6 lbs (3 kg)
Blower Air Flow Max	150 cfm (4.2 m ³ /min)	Vacuum/Mulcher Net Weight	9.1 lbs (4.1 kg)
Vacuum Air Flow Max	440 cfm (12.5 m ³ /min)	Gutter Attachment Net Weight	2.7 lbs (1.2 kg)

Unpacking

Carton Contents

- Electric blower/vacuum/mulcher
- Blower tube
- Blower concentrator nozzle
- Front vacuum/mulcher tube
- Rear vacuum/mulcher tube
- Collection bag
- Wheel assembly
- Gutter cleaning attachment
- Manual with registration card

1. Carefully remove the electric blower/vacuum/mulcher and check to see that all of the above items are supplied.
2. Inspect the product carefully to make sure no breakage or damage occurred during shipping. If you find damaged or missing parts, DO NOT return the unit to the store. Please call the Snow Joe® + Sun Joe® customer service center at 1-866-SNOWJOE (1-866-766-9563).

NOTE: Do not discard the shipping carton and packaging material until you are ready to use the electric blower/vacuum/mulcher. The packaging is made of recyclable materials. Properly dispose of these materials in accordance with local regulations.

IMPORTANT! The equipment and packaging material are not toys. Do not let children play with plastic bags, foils, or small parts. These items can be swallowed and pose a suffocation risk!

Assembly

⚠ WARNING! To avoid serious personal injury, read and understand all safety instructions provided.

⚠ WARNING! Do not connect to power supply until assembly is complete. Failure to comply could result in accidental starting and possible serious personal injury.

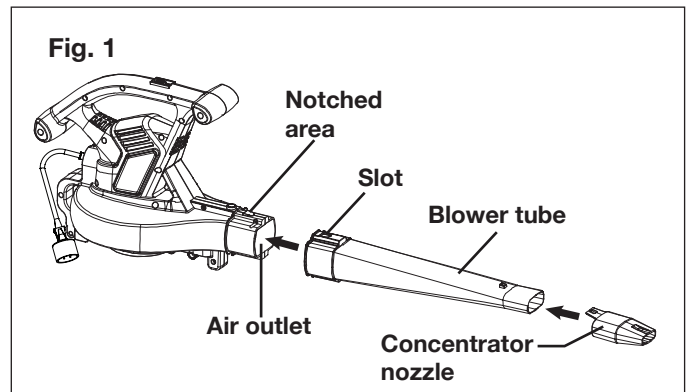
⚠ WARNING! Before performing any maintenance, make sure the tool is unplugged from the power supply. Failure to heed this warning could result in serious personal injury.

⚠ WARNING! To prevent serious personal injury, make sure the switch is in the OFF (O) position, the unit is unplugged, and the impeller has come to a complete stop before attaching or removing tubes.

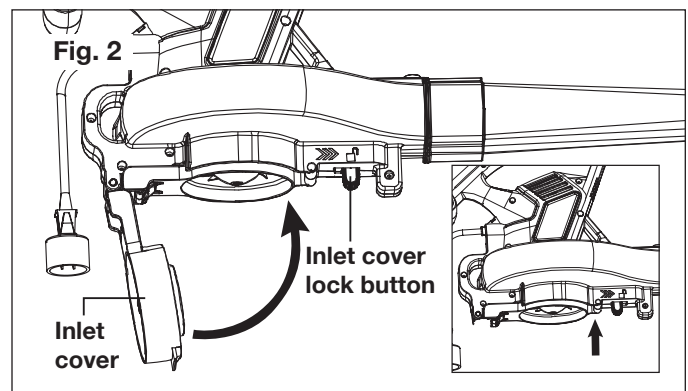
Assemble as a Blower

1. Slide the blower tube forward until the notched area on the blower housing clicks into the slot on the blower tube (Fig. 1).
2. Insert the concentrator nozzle onto the end of the blower tube until it locks into position (Fig. 1).

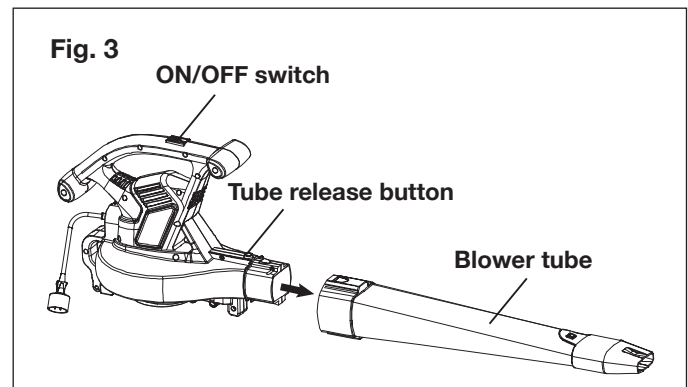
NOTE: The concentrator nozzle is used to increase air flow in tight areas (i.e around flower beds, under decks, etc.).



3. Before using the blower function, securely fasten the inlet cover over the air inlet until the lock button snaps into the locked position (Fig. 2).



4. To remove the blower tube, turn the ON/OFF power switch to the OFF (O) position and disconnect the tool from the power supply.
5. Press the tube release button and remove the blower tube (Fig. 3).



Gutter Cleaning Attachment Kit

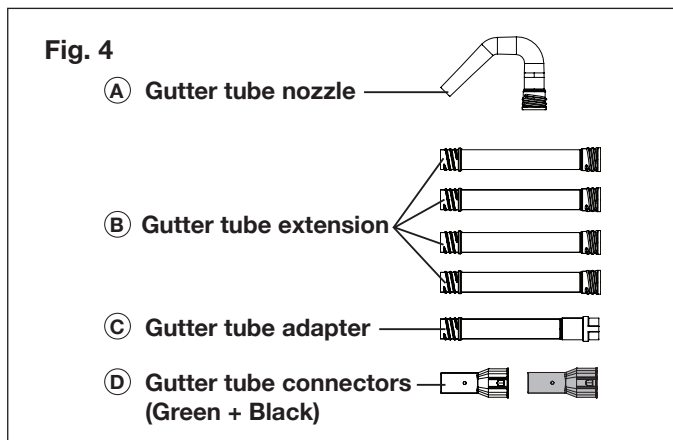
Rid yourself of gutter-clogging leaves, dirt and debris without ever having to set foot on an unsteady stepladder or hang dangerously from your downspout. Simply attach the sturdy, detachable PVC tubes to extend your reach up to 15' and unleash a tornado in your gutter tubes. Regularly cleaning your gutters ensures clear, clog-free performance and eliminates the potential for costly ice dams.

CAUTION! All operators must wear close-fitting clothing, safety goggles, and a dust mask when using this attachment on their electric blower. Keep all bystanders and pets a safe distance away from the work area. Beware of foreign objects that could be thrown by the blower.

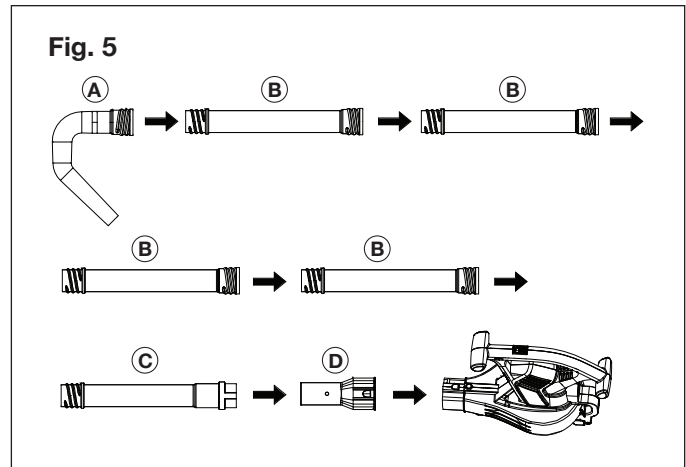
- DO NOT operate the blower with this attached gutter cleaner when fatigued.
- DO NOT overreach or stand on an unstable support. Keep proper footing and balance at all times.
- Never direct airflow towards bystanders. Always be aware of the direction in which the debris will be thrown.
- Use a face filter mask to avoid breathing dust and debris.

1. Attach the gutter kit as shown in Figs. 4 and 5: Connect the A, B, and C components by screwing them together. Then snap the A, B and C assembly into D, and then snap the completed gutter attachment into the electric blower.

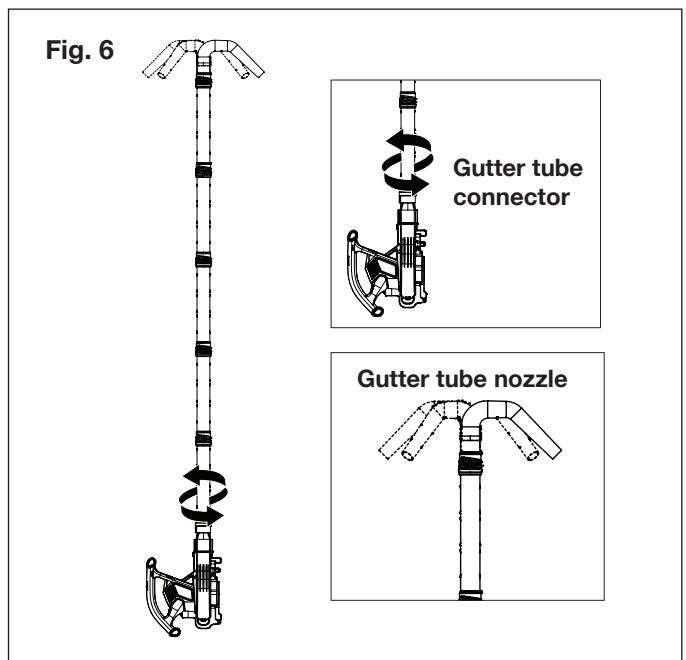
NOTE: Use only enough gutter tube extensions to comfortably reach the inside of the rain gutter you wish to clear.



NOTE: The green adapter is for use with iONBV Series only.



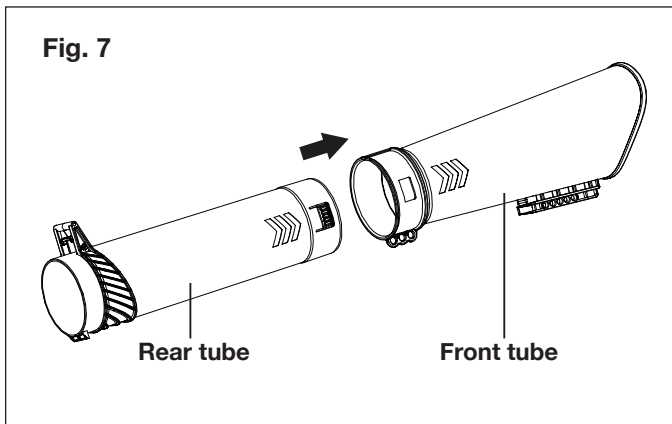
2. The gutter tube nozzle (A) can be adjusted to any desired direction by rotating the gutter tube connector (D) as shown in Fig. 6. Gutter cleaning applications will vary. We recommend you try various nozzle positions until you find the one that works most effectively with your home's gutter design.



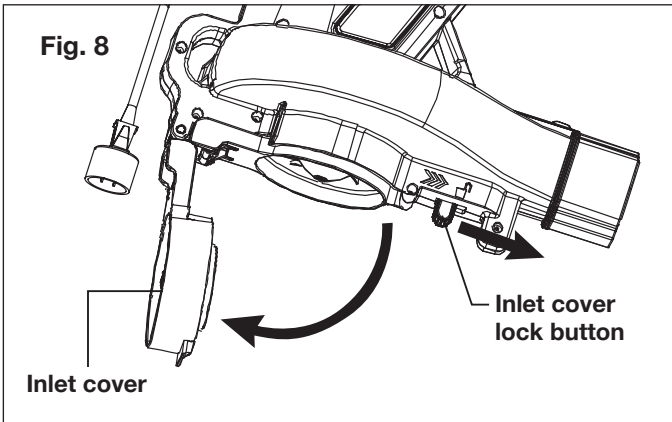
NOTE: If you have any questions, please call the Snow Joe® + Sun Joe® customer service department at 1-866-SNOWJOE (1-866-766-9563) for assistance.

Assemble as a Vacuum/Mulcher

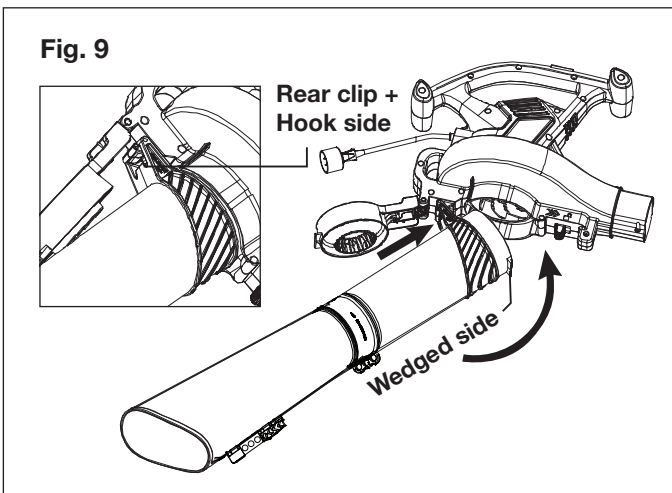
1. Slide the front and rear vacuum/mulcher tubes together until the lock button engages (Fig. 7).



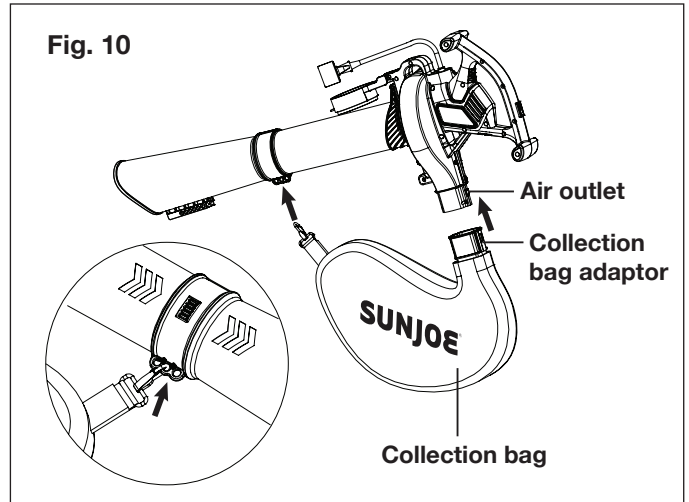
2. Slide the inlet cover lock button forward to disengage the inlet cover. Hold the cover open (Fig. 8).



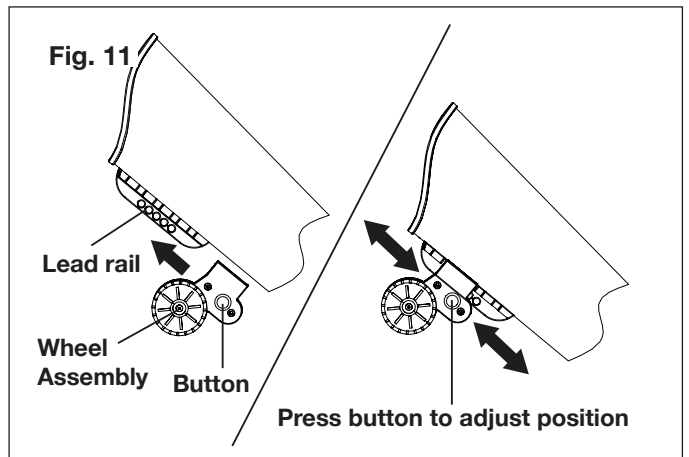
3. With the blower tube removed from the blower housing, insert the "hooked" side end of the vacuum/mulcher tube into the rear clip on the unit. Securely fasten the vacuum/mulcher tube by pushing the "wedged" side end of the vacuum/mulcher tube up until the lock button snaps into the locked position (Fig. 9).



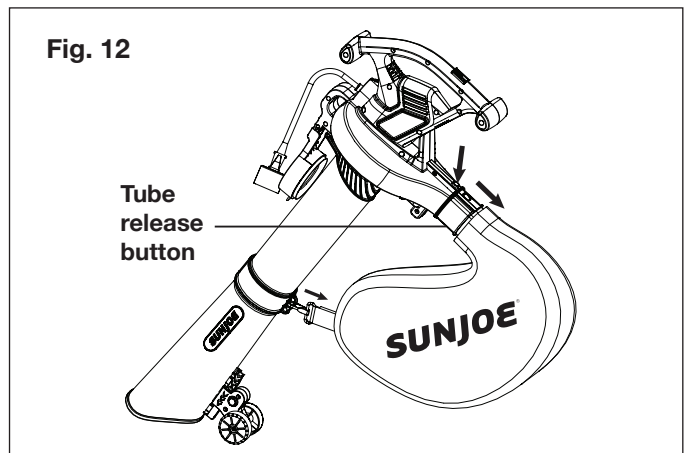
4. Insert the collection bag adaptor into the blower air outlet until the collection bag is securely fastened (Fig. 10), then clip the bag to the strap holder.



5. Press the button on the wheel assembly, then slide it onto the lead rail. Adjust the wheel position by pressing the button and sliding the wheel assembly up and down the lead rail until the desired setting is reached (Fig. 11).

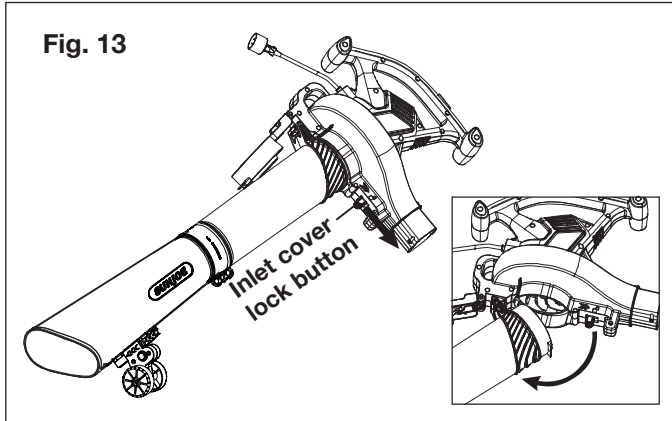


6. To remove the bag, press the tube release button and slide the bag off of the unit. Unclip the bag from the strap holder (Fig. 12).



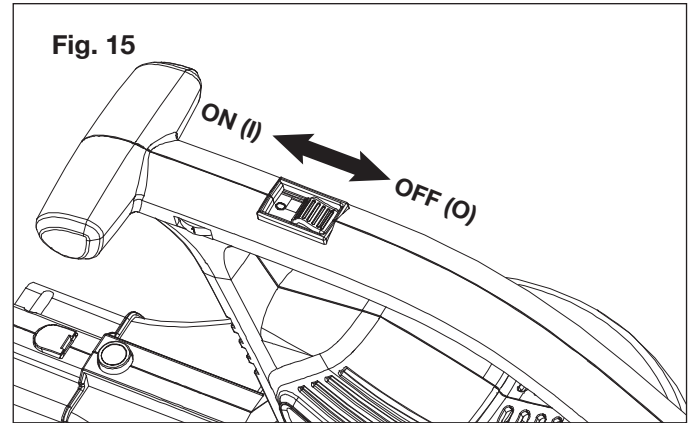
- To remove the vacuum/mulcher tube assembly, slide the inlet cover lock button to unlock, then remove the tube assembly from its housing (Fig. 13).

NOTE: It may be necessary to remove the blower tube or vacuum/mulcher tubes to clear a blocked tube or impeller. Make sure to disconnect the unit from the power supply before attempting to clear any obstructions.



Starting + Stopping

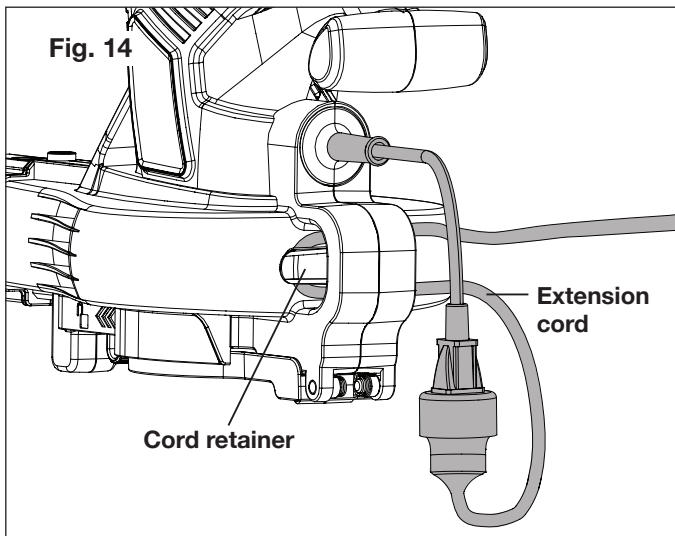
- To start the electric blower/vacuum/mulcher, slide the ON/OFF switch to the ON position (I) (Fig. 15).
- To stop the unit, slide the ON/OFF switch to the OFF position (O) (Fig. 15).



Operation

Connecting to a Power Source

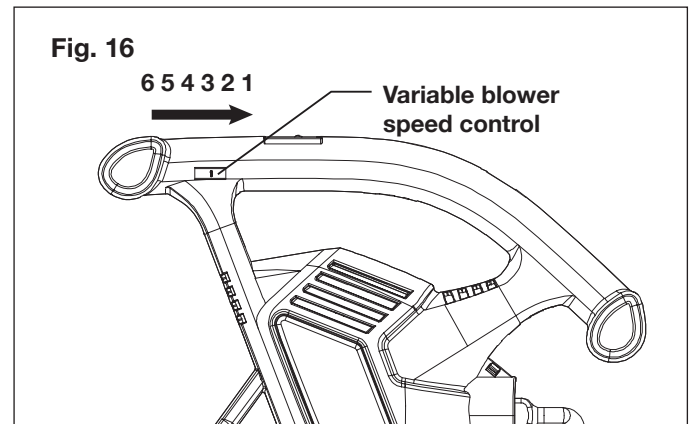
- Secure the extension cord to the motor housing using the cord retainer located at the rear of the blower. Securing the extension cord in this manner prevents accidental removal of the electrical cord during operation (Fig. 14).
- Connect the extension cord to the appliance cord (Fig. 14).



Speed Control

This unit is equipped with six variable speed settings (1 to 6) (Fig. 16).

- Turn the speed dial to position “1” or “2” for LOW speeds.
- Turn the speed dial to position “3” or “4” for MEDIUM speeds.
- Turn the speed dial to position “5” or “6” for HIGH speeds.



Operating Tips

⚠ WARNING! Use the blower/vacuum/mulcher only in daylight or good artificial light.

- When using the blower vac, plant your feet firmly on the ground and place one hand on the unit handle and the other hand on the auxiliary handle.
- Wear personal protective equipment during your work session. This includes boots, safety glasses/goggles, ear defenders, long pants, and a long-sleeve shirt.

- When using the unit as a vacuum/mulcher, make sure the bag is properly installed and zipped closed.
- Make sure the blower tube nozzle is not directed at anybody or any loose debris before starting the unit.
- Verify that the unit is in good working condition. Make sure the tubes and guards are in place and secure.
- Ensure that the vacuum/mulch inlet cover is completely closed and locked.
- Keep a firm grip on both the front and rear handle or grips.
- To reduce the risk of hearing loss associated with sound level(s), hearing protection is required.
- Operate this blower vac and other power equipment only at reasonable hours. Avoid use early in the morning or late at night when people might be disturbed. Comply with times listed in local ordinances. Usual recommendations are 9:00 am to 5:00 pm, Monday through Saturday.
- To reduce noise levels, limit the number of pieces of power equipment used at any one time and operate power blowers at the lowest possible speed setting necessary to do the job.
- Use rakes and brooms to loosen debris before blowing.
- In dusty conditions, slightly dampen surfaces.
- Conserve water by using power blowers instead of hoses for many lawn and garden applications, such as cleaning gutters, screens, patios, grills, porches, and gardens.
- Blow debris into a safe, open area away from children, pets, open windows, or freshly washed cars.
- Clean up after using leaf blowers and other lawn equipment. Dispose of debris appropriately.

⚠ WARNING! To avoid serious personal injury, wear ear defenders, goggles, or safety glasses at all times when operating this unit. Wear a face mask or dust mask in dusty locations.

⚠ WARNING! To prevent serious personal injury or damage to the unit, make sure the blower tube or the vacuum/mulcher tubes and the collection bag are in place before operating the unit.

Air Vents

Never cover air vents. Keep them free from obstructions and debris. They must always remain clear for proper motor cooling.

⚠ WARNING! To avoid serious personal injury, tie back long hair and do not wear loose fitting clothing or dangling articles such as scarves, strings, chains, ties, etc. Such items could get drawn into the air vents.

Blower Mode

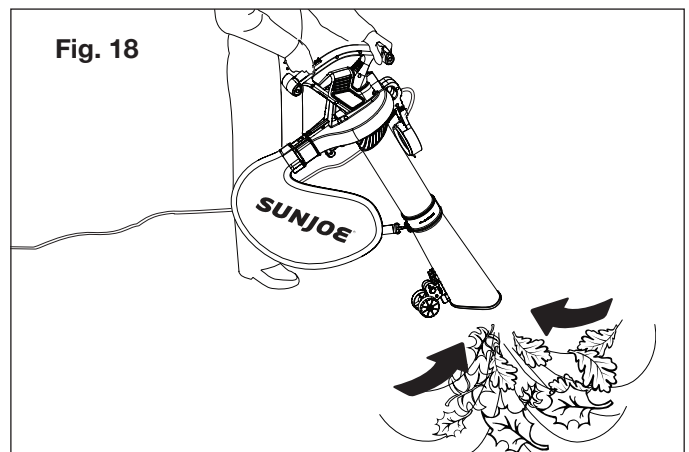
- Hold the blower firmly with one hand on the main handle and the other hand on the auxiliary handle. Sweep from side to side with the nozzle several inches above the ground or floor (Fig. 17).



- Slowly advance the unit, keeping the accumulated pile of debris in front of you. Most dry blowing operations are better suited to low speeds rather than high speeds. High speed blowing is best for moving heavier items like large debris or gravel.

Vacuum + Mulcher Mode

- Once you have blown the debris/leaves into a pile, you can convert to vacuum/mulcher mode to collect the debris.
- With a firm hold on the unit, tilt the vacuum/mulcher tubes 2 in. (5 cm) from the ground and use a sweeping action to collect light debris. The debris will flow into the bag. Items such as small leaves and twigs will be mulched as they pass through the fan housing. For longer bag life and optimal performance, empty the bag frequently (Fig. 18).
- Move easily from one pile of debris to the next by gliding the vacuum/mulcher along the ground using the wheel assist assembly.



- As the bag fills, suction power will decrease. When this happens, turn the power switch to the OFF (O) position and unplug the unit from the power supply. Remove the bag and empty the debris.
- To remove the bag, press the tube release button (Fig. 12). To empty, hold the plastic handle and grab the nylon handle on the underside of the bag. Turn the bag upside down and shake out any debris and leaves.

⚠ WARNING! Never remove the collection bag without first turning the power switch to the OFF (O) position and unplugging the unit from the main power source.

⚠ WARNING! Do not use in vacuum/mulcher mode without the vacuum/mulcher tubes and collection bag in place.

Clearing a Blocked Tube/Impeller

⚠ WARNING! To avoid serious personal injury, be sure the unit is OFF and unplugged before clearing the impeller.

⚠ WARNING! To avoid serious personal injury, always wear gloves to protect yourself from the impeller blades or other sharp objects.

During the vacuuming/mulching process, certain objects such as cloth, rope, or large diameter sticks may obstruct the fan and block the motor. A thermal protection device, which is built into the blower vac, will cut off the electricity to the motor to prevent damage from overheating.

In the event an obstruction occurs and power is curtailed:

1. Slide the ON/OFF switch to the OFF (O) position until the unit comes to a complete stop.
2. Unplug the unit.
3. Remove the blower tube or vacuum/mulcher tubes and the collection bag.
4. Using protective gloves, carefully remove the material blocking the tube or impeller. Inspect the blades to ensure no damage has occurred. Rotate the impeller blades by hand to ensure the blockage is completely cleared.
5. Reinstall the blower tube or vacuum/mulcher tubes and the collection bag.
6. Wait 3 minutes for the motor to cool.
7. Plug the unit back into the power supply and turn the ON/OFF switch to the ON (I) position. The blower vac will resume normal function.

Maintenance

To order genuine replacement parts or accessories for the Sun Joe® SBJ606E-GA electric blower/vacuum/mulcher, please visit sunjoe.com or contact the Snow Joe® + Sun Joe® customer service center at 1-866-SNOWJOE (1-866-766-9563).

⚠ WARNING! Disconnect the extension cord before performing any maintenance task.

If the extension cord is plugged into the appliance, someone could accidentally turn on the unit while you are inspecting it, which could result in serious personal injury.

Cleaning the Unit

⚠ WARNING! To avoid serious personal injury, always turn the unit off and unplug it before cleaning or servicing.

Use a small brush to clean the outside of the unit. Do not use strong detergents, household cleaners that contain aromatic oils (e.g. pine and lemon), or harsh solvents such as kerosene as these substances can damage the plastic housing or the handles. Wipe off any moisture with a soft, dry cloth.

1. Empty the bag after each use to avoid deterioration and air flow obstruction, which will reduce the performance of the vacuum/mulcher.
2. Wear eye protection and a dust mask. Clean the bag as needed. Turn the bag inside out after initial emptying and vigorously shake out any dust and debris.
3. Wash the bag once a year, or more often if needed. Follow the steps below:
 - i. Remove the bag.
 - ii. Turn the bag inside out.
 - iii. Hang it up.
 - iv. Hose it down thoroughly.
 - v. Leave it hanging to dry.
 - vi. Turn the bag right-side up and reinstall.

Storage

1. Examine the electric blower/vacuum/mulcher thoroughly for worn, loose, or damaged parts. Should you need to repair or replace a part, contact an authorized Snow Joe® + Sun Joe® dealer or call the Snow Joe® + Sun Joe® customer service center at 1-866-SNOWJOE (1-866-766-9563) for assistance.
2. Examine the extension cord thoroughly for signs of excess wear or damage. If it is worn or damaged, replace it immediately.
3. Disconnect the extension cord from the electric blower/vacuum/mulcher before storing.
4. Store the cord with the electric blower/vacuum/mulcher indoors in a clean, dry, and locked location out of the reach of children and animals.

NOTE: Devices for retaining extension cords are commercially available should you wish to purchase one.

Service + Support

If your Sun Joe® SBJ606E-GA electric blower/vacuum/mulcher requires service or maintenance, please call the Snow Joe® + Sun Joe® customer service center at 1-866-SNOWJOE (1-866-766-9563).

Model + Serial Numbers

When contacting the company, reordering parts, or arranging service from an authorized dealer, you will need to provide the model and serial numbers, which can be found on the decal located on the housing of the unit. Copy these numbers into the space provided below.

Record the following numbers from the housing or handle of your new product:	
Model #:	
S B J 6 0 6 E - G A	
Serial #:	

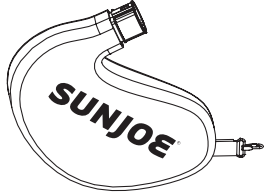
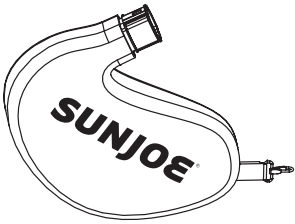
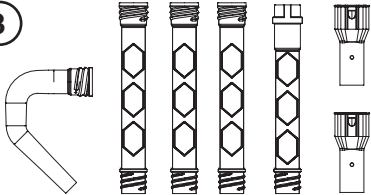
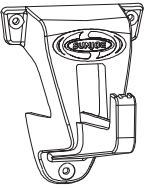
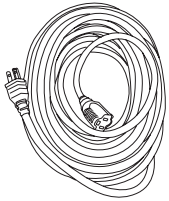
Troubleshooting

⚠️ WARNING! Always unplug the power cord before performing any adjustments, maintenance, or repairs to your electric blower vac.

Problem	Possible Cause	Solution
Unit will not blow or mulch	<ol style="list-style-type: none"> 1. Bag full 2. Blocked tube 3. Blocked impeller 4. Dirty bag 5. Torn bag 6. Bag unzipped 7. Unit unplugged 	<ol style="list-style-type: none"> 1. Empty the bag. 2. Clear the blockage. 3. Clear the blockage. 4. Clean the bag. 5. Replace the bag. 6. Zip up the bag. 7. Plug into an outlet or an extension cord.
Unit will not start	<ol style="list-style-type: none"> 1. Unit is unplugged. 2. Power/speed switch is in the OFF (O) position. 3. Defective power switch. 4. Vac tubes are not correctly installed. 5. Intake gate/cover is not closed. 6. House circuit may have tripped. 	<ol style="list-style-type: none"> 1. Check cord to make sure it is plugged into an electrical outlet. 2. Slide the power switch to the ON (I) position and select your desired speed setting with the speed control switch. 3. Call the Snow Joe® + Sun Joe® customer service center at 1-866-SNOWJOE (1-866-766-9563). 4. Check vac tubes and ensure that they are correctly installed to allow the switch to be engaged. 5. Ensure that gate/cover is fully closed and locked. 6. Check wall circuit breaker panel and reset if necessary.

Optional Accessories

⚠️ WARNING! ALWAYS use only authorized Snow Joe® + Sun Joe® replacement parts and accessories. NEVER use replacement parts or accessories that are not intended for use with this electric blower vac. Contact Snow Joe® + Sun Joe® if you are unsure whether it is safe to use a particular replacement part or accessory with your electric blower vac. The use of any other attachment or accessory can be dangerous and could cause injury or mechanical damage.

Accessories	Item	Model
	12-Gallon (45 l) collection bag	SBJ603E-BAG (For use with blower vac models SBJ603E + SBJ605E + SBJ606E-GA)
	18-Gallon (68 l) collection bag	SBJ605E-BAG18 (For use with blower vac models SBJ603E + SBJ605E + SBJ606E-GA)
	Gutter cleaning attachment kit	SBJ6-GA (For use with blower vac models SBJ601E + SBJ603E + SBJ605E + SBJ606E-GA + iONBV)
	Universal wall bracket with mounting hardware	SJWB (Fits most Snow Joe® + Sun Joe® tools)
	Snow Joe® + Sun Joe® SJTW-A 14-gauge 50-foot extension cord with lighted end	PJEXT50-B

NOTE: Accessories are subject to change without any obligation on the part of Snow Joe® + Sun Joe® to provide notice of such changes. Accessories can be ordered online at sunjoe.com or via phone by contacting the Snow Joe® + Sun Joe® customer service center at 1-866-SNOWJOE (1-866-766-9563).



SNOW JOE® + SUN JOE® CUSTOMER PROMISE

ABOVE ALL ELSE, Snow Joe, LLC (“Snow Joe”) is dedicated to you, our customer. We strive to make your experience as pleasant as possible. Unfortunately, there are times when a Snow Joe®, Sun Joe®, or Aqua Joe® product (“Product”) does not work or breaks under normal operating conditions. We think it’s important that you know what you can expect from us. That’s why we have a Limited Warranty (“Warranty”) for our Products.

OUR WARRANTY:

Snow Joe warrants new, genuine, powered and non-powered Products to be free from defects in material or workmanship when used for ordinary household use for a period of two years from the date of purchase by the original, end-user purchaser when purchased from Snow Joe or from one of Snow Joe’s authorized sellers with proof of purchase. Because Snow Joe is unable to control the quality of its Products sold by unauthorized sellers, unless otherwise prohibited by law, this Warranty does not cover Products purchased from unauthorized sellers. If your Product does not work or there’s an issue with a specific part that is covered by the terms of this Warranty, Snow Joe will elect to either (1) send you a free replacement part, (2) replace the Product with a new or comparable product at no charge, or (3) repair the Product. How cool is that!

This Warranty gives you specific legal rights, and you may also have other rights which vary from State to State.

PRODUCT REGISTRATION:

Snow Joe strongly encourages you to register your Product. You can register online at snowjoe.com/register, or by printing and mailing in a registration card available online from our website, or calling our Customer Service Department at **1-866-SNOWJOE (1-866-766-9563)**, or by e-mailing us at help@snowjoe.com. Failure to register your Product will not diminish your warranty rights. However, registering your Product will allow Snow Joe to better serve you with any of your customer service needs.

WHO CAN SEEK LIMITED WARRANTY COVERAGE:

This Warranty is extended by Snow Joe to the original purchaser and original owner of the Product.

WHAT IS NOT COVERED?

This Warranty does not apply if the Product has been used commercially or for non-household or rental applications. This Warranty also does not apply if the Product was purchased from an unauthorized seller. This Warranty also does not cover cosmetic changes that do not affect performance. Wearing parts like belts, augers, chains and tines are not covered under this Warranty, and can be purchased at snowjoe.com or by calling **1-866-SNOWJOE (1-866-766-9563)**.



MANUAL DEL OPERADOR

Una división de Snow Joe®, LLC

SOPLADORA/ ASPIRADORA/ TRITURADORA ELÉCTRICA

14 A | 4 EN 1 | INCLUYE: TUBOS PARA LIMPIAR CANALETAS

ES

Modelo SBJ606E-GA

Forma N° SJ-SBJ606E-GA-MR4

¡IMPORTANTE!

Instrucciones de seguridad

Todos los operadores deberán leer estas instrucciones antes del uso

Cualquier artefacto eléctrico puede ser peligroso si se usa incorrectamente. Algunas de las precauciones de seguridad que aparecen en este manual se aplican a muchos artefactos. Otras advertencias son específicas al uso de esta sopladora/ aspiradora/ trituradora eléctrica.

Siga siempre estas normas de seguridad. No hacerlo podría resultar en lesiones corporales severas o incluso la muerte.

⚠ ¡PELIGRO! Esto indica una situación peligrosa la cual, de no ser evitada, resultará en lesiones personales severas o la muerte.

⚠ ¡ADVERTENCIA! Esto indica una situación peligrosa la cual, de no ser evitada, puede resultar en lesiones personales severas o la muerte.

⚠ ¡PRECAUCIÓN! Esto indica una situación peligrosa la cual, de no ser evitada, puede resultar en lesiones menores o moderadas.

Seguridad general SOLO PARA USO DOMÉSTICO

Antes de que cualquier persona use este producto, asegúrese de que dicha persona haya leído y entendido por completo todas las instrucciones de seguridad y datos adicionales contenidos en este manual. Conserve este manual y revíselo con frecuencia antes de usar esta herramienta y al momento de instruir a otros sobre los procedimientos adecuados de operación.

⚠ ¡PRECAUCIÓN! Emplee protección auditiva adecuada durante su uso. Luego de periodos prolongados de uso extendido, el ruido generado por este artefacto puede causar pérdida auditiva si sus oídos no están protegidos adecuadamente.

⚠ ¡ADVERTENCIA! Siempre que use herramientas eléctricas para jardín, usted debe tomar precauciones básicas de seguridad con el fin de reducir el riesgo de

incendio, choque eléctrico y lesiones personales, incluyendo lo siguiente:


- 1. Mantenga el área de trabajo limpia y bien iluminada:** las áreas de trabajo abarrotadas y las áreas oscuras provocan accidentes.
- 2. Partes de repuesto:** al repararla, utilice solamente partes de repuesto idénticas. Reemplace o repare los cables dañados inmediatamente.
- 3. Mantenga alejados a los espectadores, niños y mascotas:** todos deberán estar a una distancia segura del área de trabajo.
- 4. Vístase adecuadamente:** no use vestimenta suelta o joyería, ya que dichos objetos pueden engancharse en las partes móviles. Utilice una cubierta protectora para contener cabellos largos. Se recomienda usar guantes de hule y calzado anti-deslizante protector al trabajar en exteriores.
- 5. Cables de extensión:** para prevenir choques eléctricos, use esta máquina únicamente con un cable de extensión adecuado para uso en exteriores.
- 6. Evite los encendidos accidentales:** no transporte la sopladora/ aspiradora/ trituradora con su dedo sobre el interruptor. Asegúrese de que el interruptor esté apagado antes de enchufar la unidad.

⚠ ¡PELIGRO! No coloque de forma manual objetos dentro del tubo de aspirado mientras opere la unidad ya que esto puede dañar severamente la unidad y/o lesionar al operador. Mantenga ambas manos en los mangos cuando la unidad esté encendida.

NO INTENTE retirar material o sujetar material a ser aspirado cuando la sopladora/ aspiradora/ trituradora esté encendida. Asegúrese de que la sopladora/ aspiradora/ trituradora esté apagada al desatascar material dentro del tubo de aspirado. No levante la sopladora/ aspiradora/ trituradora por su tubo, ni intente transportarla sosteniéndola por el tubo.

⚠ ¡PRECAUCIÓN! Las partes móviles continuarán moviéndose por varios segundos luego de haber apagado la máquina.

- 7. No abuse del cable:** nunca transporte la sopladora/ aspiradora/ trituradora por el cable, ni tire de éste para desconectar la máquina del tomacorriente. Mantenga el cable alejado del calor, aceites y bordes filosos.

- 8. Partes móviles:** mantenga alejados pies y manos de las partes móviles. Mantenga los protectores en su lugar y funcionando apropiadamente.
- 9. No fuerce esta herramienta eléctrica:** tendrá un mejor funcionamiento con menos probabilidades de lesiones personales o fallas mecánicas si es usada con el nivel de actividad para el cual fue diseñada.
- 10. Use equipos de protección personal:** al usar esta herramienta eléctrica, use gafas protectoras con cubiertas laterales o gafas de seguridad para proporcionar la protección ocular adecuada. Use protección auditiva para evitar daños a los oídos. Use una máscara anti-polvo o para el rostro si el entorno de trabajo es polvoriento.
- 11. Desconecte la herramienta:** desconecte la sopladora/ aspiradora/ trituradora de la fuente de alimentación cuando no esté siendo usada, antes de ser reparada, al cambiarle accesorios o al realizar cualquier otra tarea de mantenimiento en esta.
- 12. Guarde la herramienta inactiva en interiores:** cuando no esté en uso, la sopladora/ aspiradora/ trituradora debe almacenarse bajo techo, en un lugar seco, alto o bajo llave, fuera del alcance de los niños.
- 13. Cuide la sopladora/ aspiradora/ trituradora:** mantenga el tubo de la sopladora y el área del ventilador despejados y limpios para un óptimo funcionamiento y reducir el riesgo de lesiones. Inspeccione periódicamente el cable de extensión y reemplácelo inmediatamente si está dañado. Mantenga los mangos secos, limpios y sin aceites o grasas. Siga las recomendaciones adicionales descritas en la sección de mantenimiento de este manual.
- 14. Un interruptor de circuito de falla de conexión a tierra (GFCI)** deberá proteger al(a los) circuito(s) o tomacorriente(s) que van a ser empleados con la sopladora/ aspiradora/ trituradora. Hay receptáculos disponibles con protección incorporada GFCI y pueden ser utilizados para esta medida de seguridad.
- 15. Utilice la herramienta correcta:** no utilice la herramienta para ningún otro trabajo excepto para el cual está destinada.
- 16.  Doble aislamiento:** el aislamiento doble elimina el uso de los cables de alimentación de tres alambres y de conexión a tierra, por tanto proporcionando una medida de seguridad durante la operación de herramientas eléctricas. En un artefacto con doble aislamiento, todas las partes de metal expuestas están aisladas de los componentes de metal internos del motor mediante un aislamiento protector. Las herramientas con doble aislamiento no necesitan ser conectadas a tierra.
- NOTA:** el sistema de doble aislamiento tiene como propósito proteger al usuario contra un choque eléctrico resultante de una falla en el aislamiento interno de la herramienta. Siga todas las precauciones normales de seguridad para evitar un choque eléctrico.
- 17. Evite entornos peligrosos:** no use la sopladora/ aspiradora/ trituradora en la lluvia o lugares húmedos o mojados. No opere la sopladora/ aspiradora/ trituradora

en atmósferas gaseosas o explosivas, ni use la sopladora/ aspiradora/ trituradora para recoger líquidos inflamables o combustibles. Los motores de máquinas como ésta normalmente echan chispas, y las chispas pueden encender los gases.

- 18. Manténgase alerta:** vea lo que está haciendo. Utilice su sentido común. No opere la sopladora/ aspiradora/ trituradora si está cansado o bajo la influencia del alcohol, drogas u otros medicamentos.

Instrucciones adicionales de seguridad

- Tenga especial cuidado al limpiar en escaleras.
- Siempre mantenga con sus pies un balance y posición adecuados. No se extralimite. Extralimitarse puede resultar en la pérdida de equilibrio.
- Apague todos los controles antes de desenchufar la herramienta.
- No utilice la herramienta si el interruptor de encendido y apagado no la enciende y apaga. Cualquier herramienta que no pueda ser controlada por el interruptor de encendido y apagado es peligrosa y debe ser reparada.
- No use la herramienta con un enchufe dañado. Si su herramienta no está funcionando como debería o ha sido dejada caer, se ha dañado, fue dejada en exteriores o fue sumergida en agua, devuélvala a un concesionario Snow Joe® + Sun Joe® autorizado o llame a la central de servicio al cliente Snow Joe® + Sun Joe® al 1-866-SNOWJOE (1-866-766-9563).
- No recoja objetos que se estén quemando o echando humo, tales como cigarrillos, fósforos, o cenizas calientes.
- No use la herramienta sin la bolsa para polvo y los filtros instalados en su lugar.
- Inspeccione cuidadosamente su artefacto antes de su uso y siga todas las instrucciones de las etiquetas y marcas.
- Mantenga el extremo del tubo soplador lejos de su rostro y cuerpo.
- Siempre desenchufe este artefacto antes de conectar o desconectar la manguera aspiradora.
- No use esta herramienta use con materiales húmedos.
- Mantenga todas las partes de su cuerpo lejos de cualquier parte móvil o superficie caliente de la unidad.
- No coloque ningún objeto dentro de las aberturas de la herramienta. No use la herramienta si alguna de sus aberturas está obstruida; mantenga las aberturas libres de polvo, pelusa, cabellos y cualquier objeto que pueda reducir su flujo de aire.
- Inspeccione el área de trabajo antes de cada uso. Retire todos los objetos como rocas, vidrios rotos, clavos, alambres o cuerdas; los cuales pueden ser arrojados o enredarse dentro de la máquina.

- Este producto deberá ser reparado únicamente por personal técnico calificado. El mantenimiento o reparación llevados a cabo por personal no calificado puede resultar en lesiones al usuario o daños al producto.
- Esta sopladora/ aspiradora/ trituradora está diseñada solo para uso residencial. El uso comercial de este producto está prohibido e invalidará la garantía del fabricante.
- Nunca haga funcionar la unidad sin los equipos adecuados conectados. Asegúrese siempre de que los tubos de soplado estén adecuadamente instalados.

Reglas de seguridad específicas para sopladoras/aspiradoras

- Esta herramienta ha sido diseñada para soplar/recolectar, así como aspirar/triturar hojas secas y otros desechos secos de jardín tales como césped y ramas pequeñas.
- Al operar la unidad como sopladora, nunca apunte la boquilla de la sopladora en dirección de personas o mascotas, o en dirección de ventanas. Tenga especial cuidado al soplar escombros cerca de objetos sólidos tales como árboles, automóviles o paredes.
- Asegúrese de que la unidad esté sujeta correctamente al ser transportada.
- Nunca empape o moje la unidad con agua u otros líquidos. Limpie la unidad luego de cada uso tal como se describe en la sección de limpieza y almacenamiento.

Seguridad eléctrica

1. Un interruptor de circuito de falla de conexión a tierra (GFCI) deberá proteger al(a los) circuito(s) o tomacorriente(s) a ser utilizado(s) para esta sopladora/ aspiradora/ trituradora. Hay receptáculos disponibles con protección incorporada GFCI y pueden ser utilizados para esta medida de seguridad.
2. Asegúrese de que el voltaje de la red concuerde con el que aparece impreso en la etiqueta de características del producto. Usar la máquina con un voltaje incorrecto de tomacorriente puede dañar el motor y lesionar al usuario.
3. Para evitar un choque eléctrico, emplee solo cables de extensión adecuados para uso en exteriores, tales como SW-A, SOW-A, STW-A, STOW-A, SJW-A, SJOW-A, SJTW-A o SJTOW-A.

Antes del uso, verifique que el cable de extensión esté en buenas condiciones. Asegúrese de usar un cable de extensión lo suficientemente fuerte para poder transportar toda la electricidad que su equipo consumirá. Un cable de extensión demasiado fino causará una caída de tensión en la línea produciendo pérdida de potencia y recalentamiento.



ADVERTENCIA



Un choque eléctrico puede causar LESIONES PERSONALES SEVERAS o LA MUERTE. Tenga en cuenta estas advertencias:

- No deje que ninguna parte de la sopladora/ aspiradora/ trituradora eléctrica haga contacto con agua mientras esté funcionando. Si la máquina se moja mientras está apagada, séquela antes de encenderla.
- Use solo un cable de extensión aprobado por UL, CSA o ETL y recomendado para uso en exteriores y todo tipo de clima, tal como el cable de extensión de 50 pies y calibre 14 SJTW-A de Snow Joe® + Sun Joe® con extremo iluminado (modelo PJEXT50-B). Visite sunjoe.com para comprar este cable de extensión, o pídalo llamando al 1-866-SNOWJOE (1-866-766-9563).
- No use un cable de extensión de más de 100 pies (30 m).
- No toque el artefacto, ni su enchufe, con las manos húmedas ni mientras esté parado sobre agua. Usar botas de hule le dará algo de protección.

TABLA DE CABLES DE EXTENSIÓN

Longitud de cable de extensión	Hasta 50 pies (15 m)	+50 pies - 100 pies (+15 m - 30 m)
Calibre de alambre mínimo (AWG)	14	12

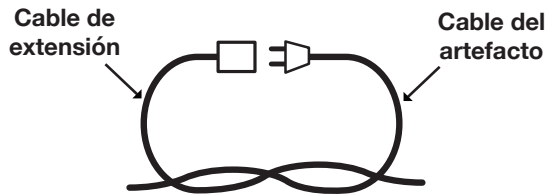
4. Para reducir el riesgo de choque eléctrico, este artefacto posee un enchufe polarizado (es decir, una pata es más ancha que la otra). Use este artefacto solo con un cable de extensión polarizado aprobado por UL, CSA o ETL y recomendado para uso en exteriores y todo tipo de clima, tal como el cable de extensión de 50 pies y calibre 14 SJTW-A de Snow Joe® + Sun Joe® con extremo iluminado (modelo PJEXT50-B). Visite sunjoe.com para comprar este cable de extensión, o pídalo llamando al 1-866-SNOWJOE (1-866-766-9563).

El enchufe del artefacto encajará en el receptáculo del cable de extensión polarizado de una sola manera. Si el enchufe del artefacto no entra por completo dentro del receptáculo del cable de extensión, invierta las clavijas del enchufe. Si el enchufe aún no encaja dentro del receptáculo del cable de extensión, obtenga un cable de extensión polarizado correcto. Un cable de extensión polarizado requerirá el uso de un tomacorriente polarizado. El enchufe del cable de extensión encajará en el tomacorriente polarizado de la pared de una sola forma. Si el enchufe no entra por completo dentro del tomacorriente de la pared, invierta las clavijas del enchufe. Si el enchufe aún no encaja, contacte a un electricista calificado para la instalación de un tomacorriente de pared

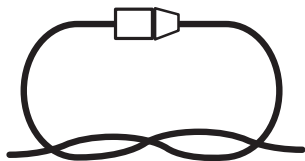
apropiado. No modifique en ninguna forma el enchufe del artefacto, ni el receptáculo del cable de extensión ni el enchufe del cable de extensión.

5. Para evitar que el cable del artefacto se desconecte del cable de extensión al usarlo, haga un nudo con los dos cables tal como se muestra en el gráfico 1.

Gráfico 1. Método para asegurar el cable de extensión




(A) Ate el cable como se indica



(B) Conecte el enchufe y el receptáculo

6. No desenchufe el cable tirando de éste. Para desenchufar, tire del enchufe, no del cable. No maltrate el cable. Nunca jale la sopladora/ aspiradora/ trituradora por su cable, ni tire de este para desconectarla del enchufe. Mantenga el cable alejado del calor, aceites y bordes filosos.

Artefactos de doble aislamiento

En un artefacto de doble aislamiento se proporcionan dos sistemas de aislamiento en lugar de una conexión a tierra. Un artefacto de doble aislamiento no posee una conexión a tierra, y no debe agregársele ninguna. La reparación de un artefacto de doble aislamiento requiere sumo cuidado y conocimiento del sistema, y solo debe ser realizada por personal técnico calificado en un centro de servicio autorizado por Snow Joe® + Sun Joe®. Las partes de repuesto de un artefacto de doble aislamiento deben ser idénticas a las partes originales. Un artefacto de doble aislamiento está marcado con las frases “Double Insulation” (“doblemente aislado”) o “Double Insulated” (“doble aislamiento”). El símbolo  (un cuadrado dentro de otro) puede también estar marcado en el artefacto.









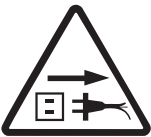




DOBLE AISLAMIENTO: PUESTA A TIERRA NO REQUERIDA. AL REPARAR, USE SOLO PARTES DE REPUESTO IDÉNTICAS.

Esta sopladora/ aspiradora/ trituradora eléctrica tiene doble aislamiento y elimina la necesidad de un sistema separado de conexión a tierra. Use solo partes de repuesto idénticas. Lea las instrucciones antes de reparar artefactos de doble aislamiento. Use esta sopladora/ aspiradora/ trituradora únicamente como se describe en este manual.

Símbolos de seguridad

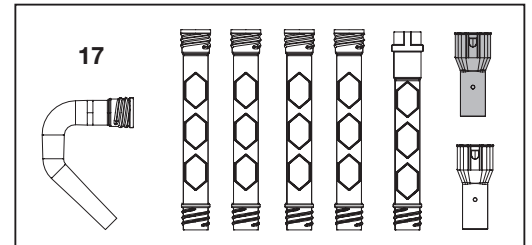
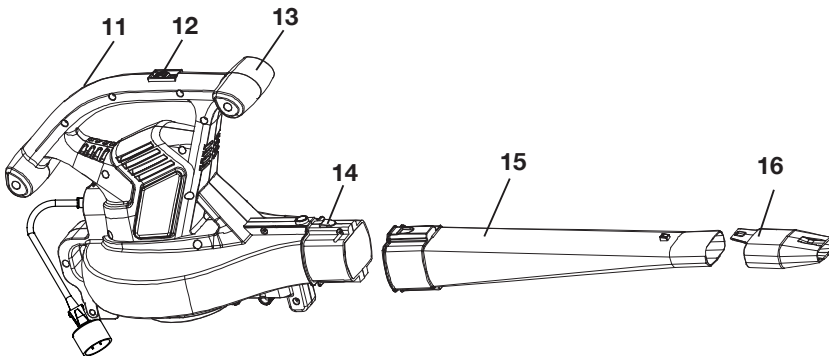
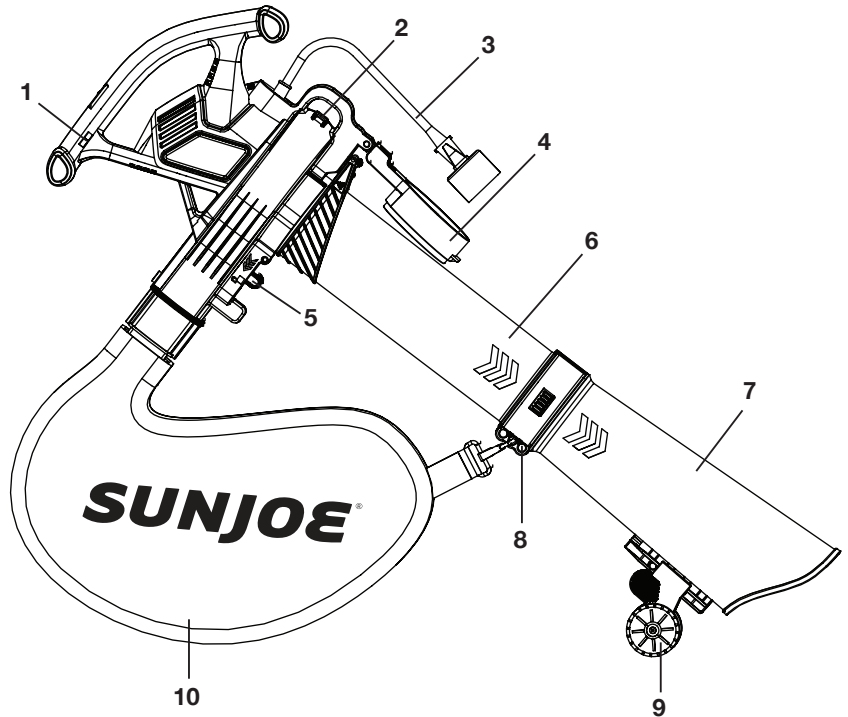
La siguiente tabla muestra y describe los símbolos de seguridad que pueden aparecer en este producto. Lea, comprenda y siga todas las instrucciones relacionadas a esta máquina antes de intentar ensamblarla y operarla.

Símbolo	Descripción	Símbolo	Descripción
	LEA EL(LOS) MANUAL(ES) DEL OPERADOR: lea, comprenda y siga todas las instrucciones en el(los) manual(es) antes de intentar ensamblar y operar la unidad.		Mantenga a los transeúntes y niños alejados a una distancia segura.
	ALERTA DE SEGURIDAD: indica una precaución, advertencia o peligro.		¡ADVERTENCIA! No exponga la unidad a la lluvia o a condiciones húmedas.
	Tenga cuidado con objetos y escombros voladores.		Use protección auditiva. Use protección ocular. Use protección respiratoria.
	¡PELIGRO! Las hojas giratorias poseen un severo riesgo de lesiones personales. Mantenga su cabello, ropa y todas las partes de su cuerpo alejadas de la entrada de aire u otras aberturas. Sujete su cabello por encima de los hombros y detrás de la cabeza. No deje que su cabello o ropa se metan al artefacto. No mantener su cabello, ropa o partes del cuerpo alejadas de la entrada de aire puede causar lesiones personales.		La parte giratoria seguirá girando continuamente durante varios segundos después de que haya apagado la máquina.
	Retire inmediatamente el enchufe del tomacorriente si el cable de alimentación se daña, desgasta o se enreda. Mantenga siempre el cable de alimentación alejado del calor, aceites o bordes afilados.		¡ADVERTENCIA! Apague la máquina y desconéctela de la fuente de alimentación antes de inspeccionarla, limpiarla, cambiarle accesorios o llevar a cabo cualquier otra tarea de mantenimiento en esta.
	DOBLE AISLAMIENTO: al prestar servicio, use solo partes de repuesto idénticas.		

Conozca su sopladora/ aspiradora/ trituradora eléctrica

Lea detenidamente el manual del propietario y las instrucciones de seguridad antes de operar la aspiradora/sopladora/trituradora. Compare la ilustración debajo con la aspiradora/sopladora/trituradora eléctrica para familiarizarse con las ubicaciones de los diversos controles y ajustes. Conserve este manual para futuras referencias.

1. Control de velocidad de sopladora (configuraciones de "1" a "6")
2. Retén para cable
3. Cable del artefacto
4. Cubierta de entrada de aspiradora/trituradora
5. Botón de trabado de cubierta de entrada de aspiradora/trituradora
6. Tubo posterior de aspirado/triturado
7. Tubo frontal de aspirado/triturado
8. Sujetador de correa
9. Rueda
10. Bolsa recolectora
11. Mango
12. Interruptor de encendido y apagado
13. Mango auxiliar
14. Botón de destrabado de tubo
15. Tubo soplador
16. Boquilla concentradora de sopladora
17. Juego de accesorios de limpieza de canaletas



NOTA: el adaptador verde es solo para uso con la serie iONBV.

Datos técnicos

Voltaje nominal	120 V CA, 60 Hz	Número de velocidades	6
Alimentación	14 A	Tasa de reducción de mantillo	16:1
Velocidad sin carga	10,000 RPM a 16,000 RPM	Modo de conversión	Sopladora a aspiradora/ trituradora
Roto	Turbina de aleación de aluminio	Capacidad de bolsa	18 gal (68 L)
Velocidad de aire máxima	250 MPH (402 km/h)	Peso neto de sopladora	6.6 lb (3 kg)
Flujo de aire de sopladora máximo	150 CFM (4.2 m ³ /min)	Peso neto de aspiradora/trituradora	9.1 lb (4.1 kg)
Flujo de aire de aspiradora máx	440 CFM (12.5 m ³ /min)	Peso neto de accesorio para canaletas	2.7 lb (1.2 kg)

Desempacado

Contenido del paquete

- Sopladora/ aspiradora/ trituradora eléctrica
- Tubo soplador
- Boquilla concentradora de sopladora
- Tubo frontal de aspirado/triturado
- Tubo posterior de aspirado/triturado
- Bolsa recolectora
- Ensamblado de rueda
- Accesorio de limpieza de canales
- Manual con tarjeta de registro

1. Retire cuidadosamente la sopladora/ aspiradora/ trituradora eléctrica y compruebe que todos los artículos anteriores estén incluidos.
2. Inspeccione cuidadosamente el producto para asegurarse de que no haya ocurrido ningún daño o ruptura durante su transporte. Si alguna parte está dañada o extraviada, NO DEVUELVA la unidad a la tienda. Comuníquese con la central de servicio al cliente Snow Joe® + Sun Joe® llamando al 1-866-SNOWJOE (1-866-766-9563).

NOTA: no se deshaga de la caja de transporte ni del material de embalaje hasta que usted esté listo para usar la sopladora/ aspiradora/ trituradora eléctrica. El empaquetado está hecho de materiales reciclables. Deseche estos materiales de acuerdo con los reglamentos locales.

¡IMPORTANTE! El equipo y los materiales de embalaje no son juguetes. No permita que los niños jueguen con bolsas plásticas, láminas o partes pequeñas. ¡Estos objetos pueden ser tragados y representan un riesgo de asfixia!

Ensamblado

⚠ ¡ADVERTENCIA! Para evitar lesiones personales severas, lea y entienda todas las instrucciones de seguridad proporcionadas.

⚠ ¡ADVERTENCIA! No la conecte a la fuente de alimentación hasta que el ensamblado haya sido completado. El incumplimiento de esta advertencia puede resultar en un encendido accidental que causará lesiones personales severas.

⚠ ¡ADVERTENCIA! Antes de llevar a cabo cualquier tarea de mantenimiento, asegúrese de que la herramienta esté desenchufada de la fuente de alimentación. No seguir esta advertencia puede resultar en lesiones personales severas.

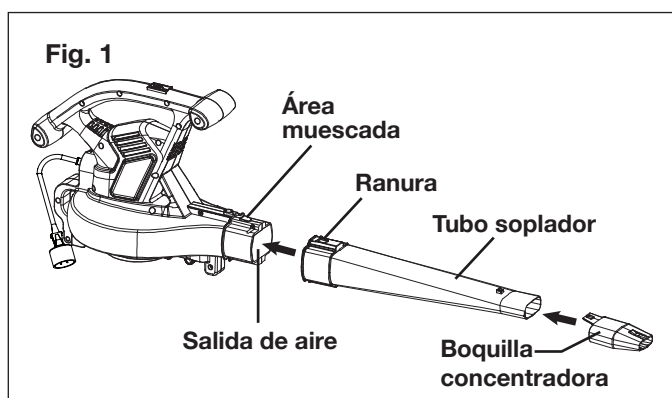
⚠ ¡ADVERTENCIA! Para evitar lesiones personales severas, asegúrese de que el interruptor se encuentre en la posición de APAGADO ("O"), la unidad esté desenchufada y el rotor se haya detenido por completo antes de conectar o desconectar los tubos.

Ensamblado como sopladora

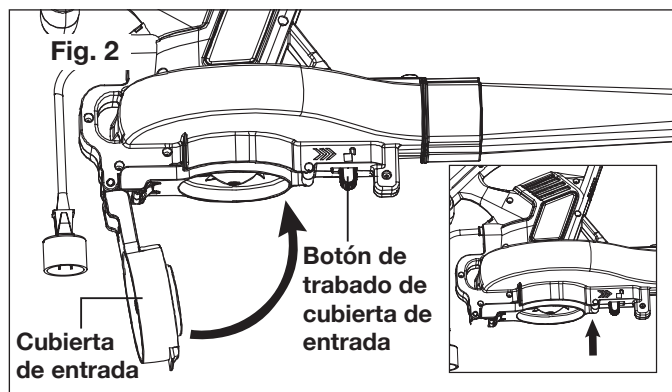
1. Deslice el tubo soplador hacia adelante hasta que el área muescada en la carcasa de la sopladora haga "clic" en la ranura del tubo (Fig. 1).

2. Inserte la boquilla concentradora en el extremo del tubo soplador hasta que se traben en su posición (Fig. 1).

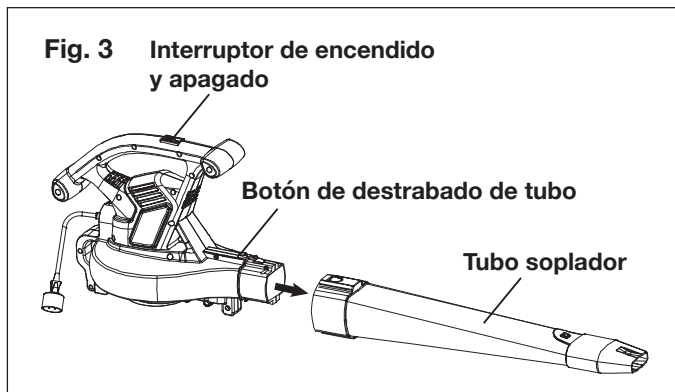
NOTA: la boquilla concentradora es empleada para incrementar el flujo de aire en áreas estrechas (p. ej., alrededor de camas de flores, debajo de terrazas, etc.)



3. Antes de usar la función de soplado, ajuste bien la cubierta de la entrada por sobre la entrada de aire hasta que el botón de trabado alcance la posición de trabado (Fig. 2).



4. Para retirar el tubo soplador, coloque el interruptor de encendido y apagado en la posición de APAGADO ("O") y desconecte la herramienta de la fuente de alimentación.
5. Presione el botón de destrabado de tubo y retire el tubo soplador (Fig. 3).



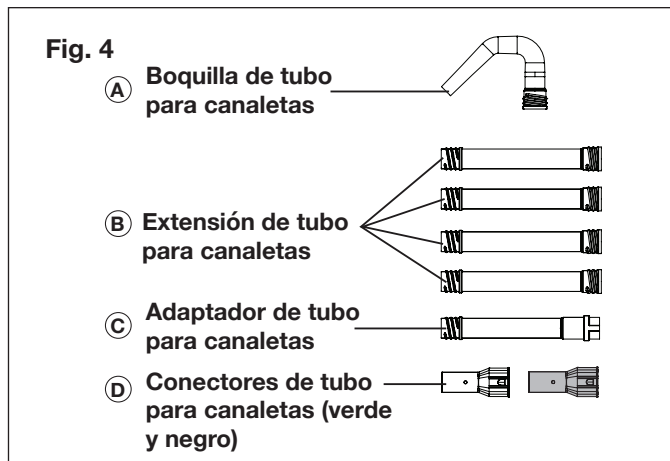
Juego de accesorios de limpieza de canaletas

Deshágase de hojas, tierra y residuos que atasquen sus canaletas sin siquiera tener que subirse a una inestable escalera o colgarse peligrosamente de su bajante pluvial. Simplemente conecte los robustos tubos de PVC desmontables para extender su alcance a un máximo de 15 pies y liberar un tornado en sus canaletas. Limpie sus canaletas de forma regular para garantizar un rendimiento limpio y sin obstrucciones y eliminar costosas acumulaciones de nieve y hielo.

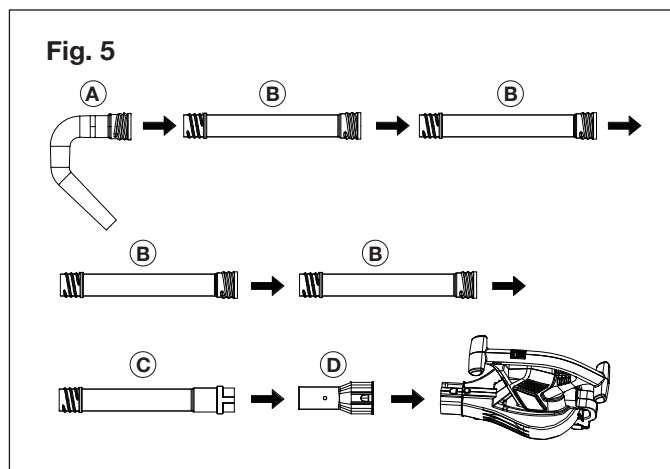
⚠ ¡PRECAUCIÓN! Al usar este accesorio con la sopladora eléctrica, todos los operadores deben usar ropa que se ajuste a su cuerpo, gafas de seguridad y máscara anti-polvo. Mantenga a todos los transeúntes y mascotas a una distancia segura lejos del área de trabajo. Tenga cuidado con objetos extraños que puedan ser lanzados por la sopladora.

- NO OPERE la sopladora con este limpiador de canaletas conectado, si está cansado.
 - NO SE extralimite ni se pare en un soporte inestable. Mantenga con sus pies un balance y posición adecuados todo el tiempo.
 - Nunca dirija el flujo de aire hacia los transeúntes. Siempre esté pendiente de la dirección en la cual los escombros serán lanzados.
 - Use una máscara con filtro para evitar respirar polvo y residuos.
1. Conecte el juego para canaletas tal como se muestra en las Figs. 4 y 5: conecte los componentes A, B y C enroscándolos juntos. Luego conecte los ensamblados A, B y C en D, y luego enganche el accesorio de canaleta completado en la sopladora eléctrica.

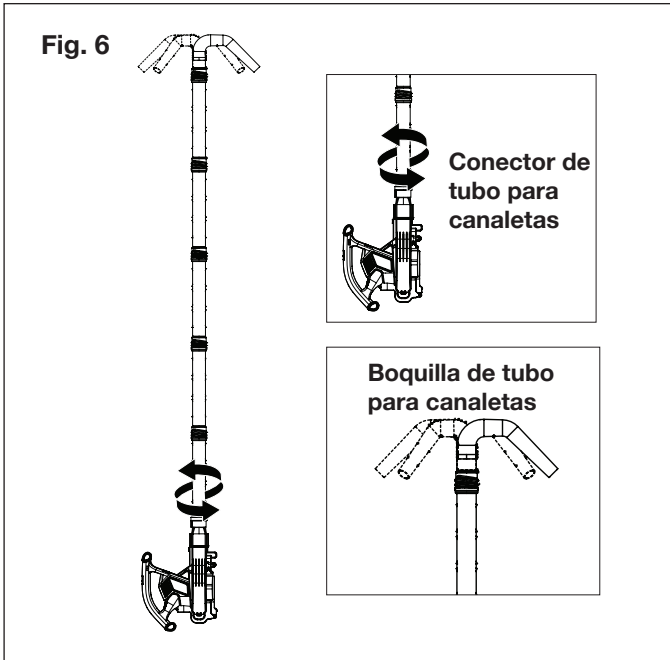
NOTA: use solo las extensiones de tubo para canaletas suficientes para alcanzar cómodamente el interior de la canaleta que usted desee limpiar.



NOTA: el adaptador verde es solo para uso con la serie iONBV.



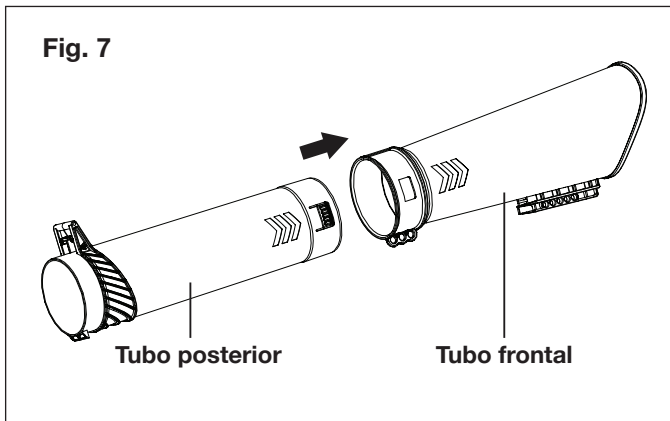
2. La boquilla de tubo para canaleta (A) puede ser ajustada en cualquier dirección deseada girando el conector de tubo de canaleta (D) tal como se muestra en la Fig. 6. Las aplicaciones de limpieza de canaletas variarán. Le recomendamos probar varias posiciones de boquilla hasta que usted encuentre la que sirva de forma más eficiente para las canaletas de su hogar.



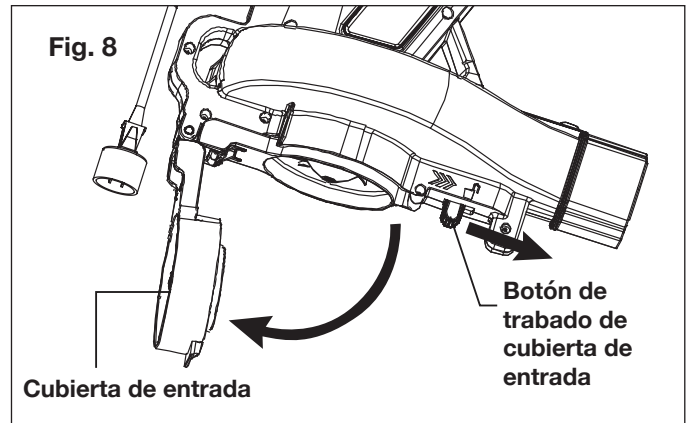
NOTA: si tiene preguntas o necesita ayuda, comuníquese con la central de servicio al cliente Snow Joe® + Sun Joe® llamando al 1-866-766-9563 (1-866-SNOWJOE).

Ensamblado como aspiradora/trituradora

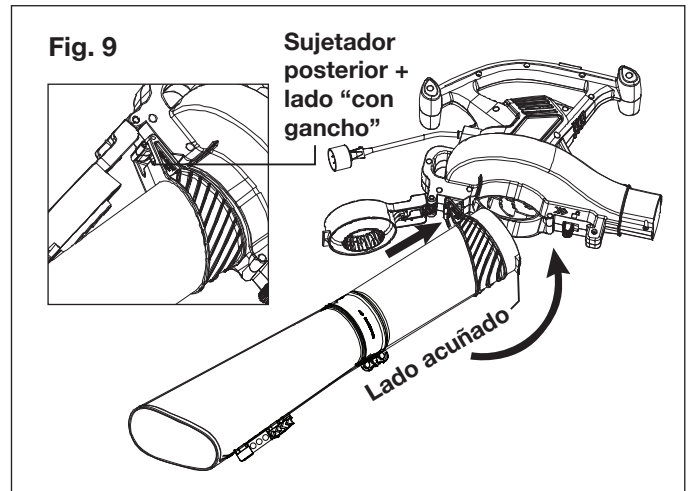
1. Deslice los tubos frontal y posterior de aspirado/triturado juntos hasta que el botón de trabado se trabe (Fig. 7).



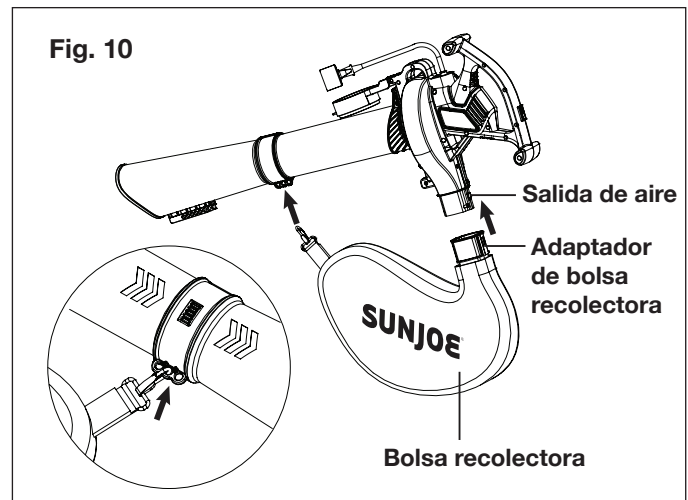
2. Deslice el botón de trabado de la cubierta de entrada hacia adelante para desenganchar la cubierta de entrada. Mantenga la cubierta abierta (Fig. 8).



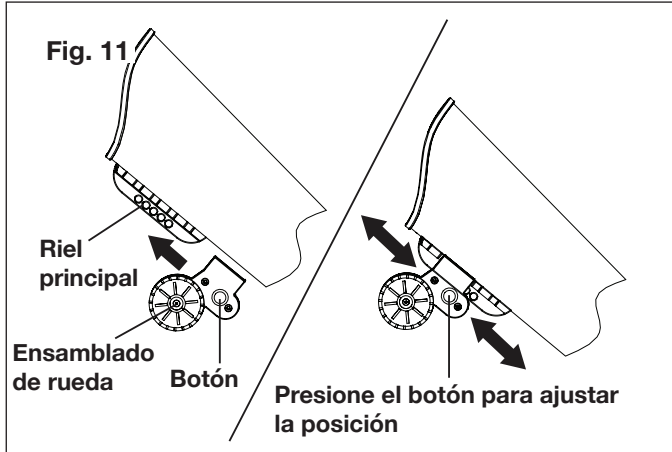
3. Con el tubo soplador retirado de la carcasa de la sopladora, inserte el lado "con gancho" del tubo de la aspiradora/trituradora dentro del sujetador posterior de la unidad. Ajuste firmemente el tubo de aspirado/triturado empujando el lado extremo "acuñado" del tubo de aspirado/triturado hasta que el botón de trabado alcance la posición de trabado (Fig. 9).



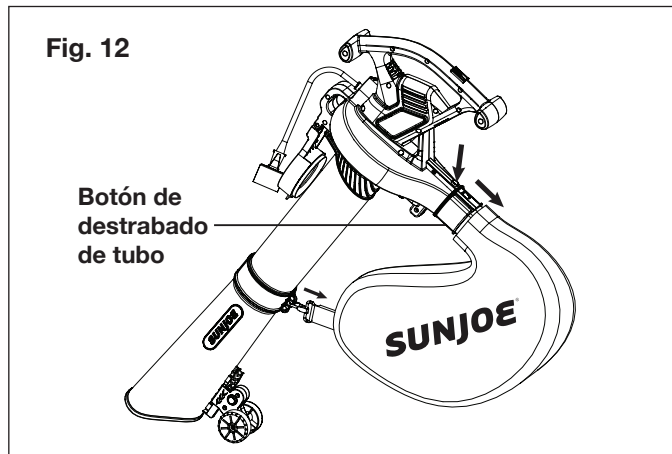
4. Inserte el adaptador de bolsa recolectora en la salida de aire de la sopladora hasta que la bolsa recolectora esté conectada de forma segura (Fig. 10), luego enganche la bolsa al sujetador de correa.



5. Presione el botón en el ensamblado de rueda, y luego deslice el ensamblado sobre el riel principal. Ajuste la posición de la rueda presionando el botón y deslizando el ensamblado de rueda hacia arriba y hacia abajo sobre el riel principal hasta que se alcance la posición deseada (Fig. 11).

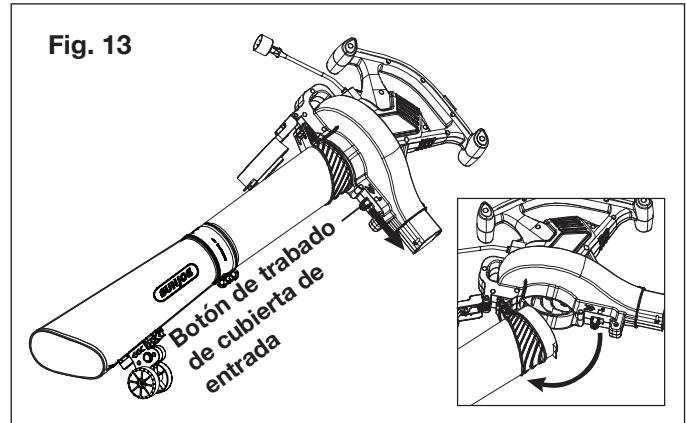


6. Para retirar la bolsa, presione el botón de destrabado de tubo y deslice la bolsa hacia fuera de la unidad. Desconecte la bolsa de la sujeción de correa (Fig. 12).



7. Para retirar el ensamblado de tubo de aspirado/triturado, deslice el botón de trabado de la cubierta de entrada para destrabar, luego retire el ensamblado de tubo de su carcasa (Fig. 13).

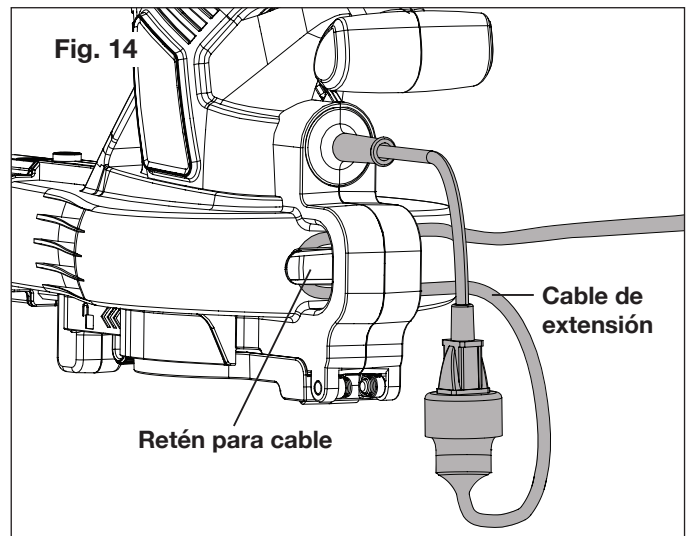
NOTA: puede ser necesario retirar el tubo soplador o los tubos de aspirado/triturado para despejar un tubo atascado o el rotor. Asegúrese de desconectar la unidad de la fuente de alimentación antes de intentar despejar cualquier obstrucción.



Operación

Conexión a una fuente de alimentación

1. Asegure el cable de extensión a la carcasa del motor usando el retén para cable que se encuentra en la parte posterior de la sopladora. Sujetar el cable de extensión de esta forma evita el retiro accidental del cable de alimentación durante la operación (Fig. 14).
2. Conecte el cable de extensión al cable del artefacto (Fig. 14).



Arranque y parada

1. Para encender la sopladora/ aspiradora/ trituradora, deslice el interruptor de encendido y apagado hacia la posición de ENCENDIDO ("I") (Fig. 15).
2. Para detener la unidad, deslice el interruptor de encendido y apagado a la posición de APAGADO ("O") (Fig. 15).

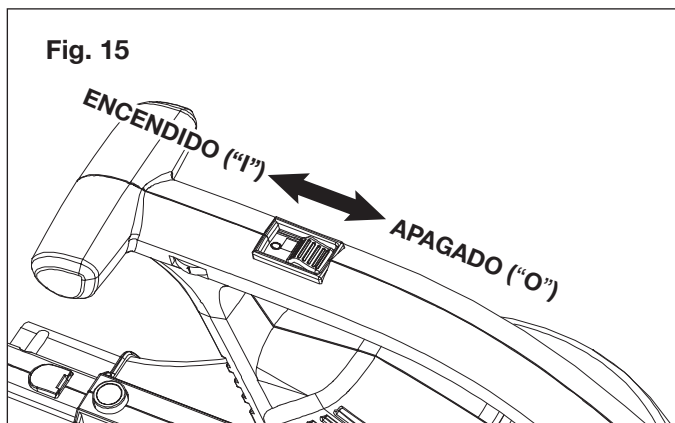


Fig. 15

Control de velocidad

Esta unidad está equipada con una configuración de seis velocidades variables (de "1" a "6") (Fig. 16).

- Gire el dial de velocidad a la posición "1" o "2" para velocidades BAJAS.
- Gire el dial de velocidad a la posición "3" o "4" para velocidades INTERMEDIAS.
- Gire el dial de velocidad a la posición "5" o "6" para velocidades ALTAS.

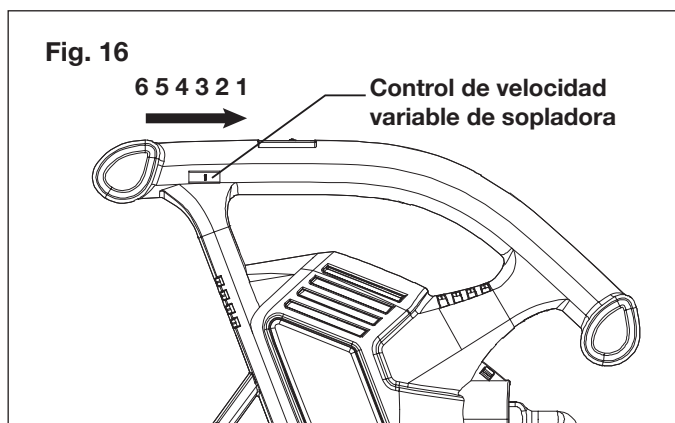


Fig. 16

Consejos de operación

⚠ ¡ADVERTENCIA! Use la sopladora/ aspiradora/ trituradora solo durante el día o bajo una buena luz artificial.

- Al usar la sopladora/ aspiradora/ trituradora, coloque sus pies firmemente en el piso y coloque una mano en el mango de la unidad y la otra mano en el mango auxiliar.
- Use equipos de protección personal durante su sesión de trabajo. Esto incluye botas, gafas protectoras, gafas de seguridad, protección auditiva, pantalones largos y una camisa de manga larga.
- Al usar la unidad como aspiradora/trituradora, asegúrese de que la bolsa esté instalada apropiadamente y cerrada con cremallera.
- Asegúrese de que la boquilla del tubo soplador no esté dirigida a nadie o a ningún escombros sueltos antes de encender la unidad.

- Compruebe que la unidad esté en buenas condiciones de trabajo. Asegúrese de que los tubos y protectores estén asegurados en su lugar.
- Asegúrese de que la cubierta de entrada de la aspiradora/ trituradora esté completamente cerrada y bloqueada.
- Mantenga una sujeción firme tanto en el mango (o empuñadura) frontal como posterior.
- Para reducir el riesgo de pérdida auditiva asociada con el(los) nivel(es) de sonido, se requiere de protección para los oídos.
- Opere esta aspiradora/sopladora y otros equipos eléctricos solo a horas razonables. Evite usarla muy temprano en la mañana o muy tarde en la noche, cuando se pueda perturbar a las personas. Obedezca los horarios establecidos en los reglamentos locales. La recomendación usual es el horario de 9:00 AM a 5:00 PM, de lunes a sábado.
- Para reducir los niveles de ruido, limite el número de unidades eléctricas usadas al mismo tiempo, y opere sopladoras a las más bajas velocidades posibles necesarias para trabajar.
- Use rastrillos y escobas para aflojar los residuos antes de soplarlos.
- En condiciones polvorientas, humedezca levemente las superficies.
- Conserve el agua usando sopladoras en lugar de mangueras para muchas aplicaciones de patios y jardines, tales como limpieza de sumideros, mallas, patios, parrillas, pórticos y jardines.
- Sople los escombros hacia un área segura y abierta, lejos de los niños, mascotas, ventanas abiertas o autos recién lavados.
- Limpie luego de usar sopladoras de hojas y otros equipos de jardín. Deshágase apropiadamente de los desechos.

⚠ ¡ADVERTENCIA! Para evitar lesiones personales severas, utilice protección auditiva y gafas de seguridad o protectoras siempre que opere esta unidad. Use una máscara anti-polvo o para el rostro en lugares polvorientos.

⚠ ¡ADVERTENCIA! Para evitar lesiones personales severas o daños a la unidad, asegúrese de que el tubo soplador o los tubos de aspirado/triturado y la bolsa recolectora estén en su lugar antes de operar la unidad.

Conductos de ventilación

Nunca cubra los conductos de ventilación. Manténgalos libres de obstrucciones y residuos. Deben siempre mantenerse despejados para un enfriamiento adecuado del motor.

⚠ ¡ADVERTENCIA! Para evitar lesiones personales severas, amárrese los cabellos largos y no use ropa holgada o accesorios colgantes como bufandas, collares, cadenas, corbatas, etc. Dichos objetos pueden ser aspirados por las tomas de aire.

Modo sopladora

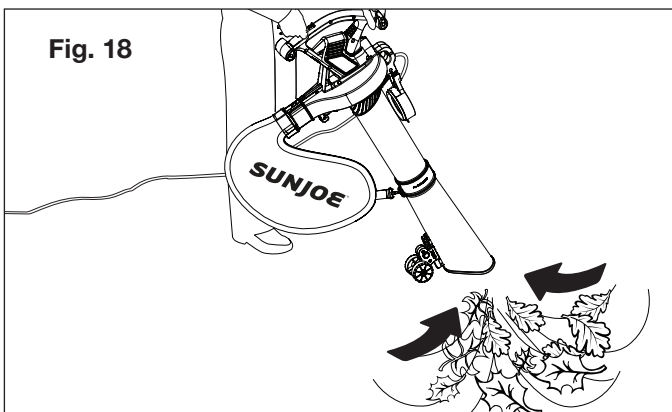
- Sujete la sopladora firmemente con una mano en el mango principal y la otra mano en el mango auxiliar. Barra lateralmente con la boquilla varias pulgadas por encima del suelo o piso (Fig. 17).



- Lentamente haga avanzar la unidad, manteniendo el montículo de residuos acumulados frente a usted. La mayoría de operaciones de soplado en seco son realizadas mejor con velocidades bajas, en lugar de velocidades altas. El soplado a altas velocidades es más conveniente para mover materiales más pesados como residuos gruesos o grava.

Modo aspiradora + trituradora

- Una vez que usted haya soplado las hojas/residuos hacia un montículo, puede convertir la máquina en una aspiradora/trituradora para aspirar los residuos.
- Sujetando firmemente la unidad, incline los tubos de aspirado/triturado a una altura de 2 plg (5 cm) a 4 plg (10 cm) desde el piso, y haga una acción de barrido para aspirar residuos ligeros. Los residuos serán aspirados hacia la bolsa. Objetos como hojas pequeñas y ramas pequeñas serán triturados a medida que van pasando a través de la carcasa del ventilador. Para un ciclo de vida útil más prolongado y un óptimo rendimiento de la bolsa, vacíela con frecuencia (Fig. 18).
- Pase fácilmente de un montículo de desechos al siguiente pasando la aspiradora/trituradora por sobre el piso usando el ensamblado de rueda de apoyo.



- A medida que la bolsa se llena, se reduce la fuerza de succión. Cuando esto sucede, coloque el interruptor de encendido y apagado en la posición de APAGADO ("O") y desenchufe la unidad de la fuente de alimentación. Retire la bolsa y vacíe los residuos.
- Para retirar la bolsa, presione el botón de destrabado de tubo (Fig. 12). Para vaciar, sujete el mango de plástico y agarre el mango de nylon en la parte inferior de la bolsa. Coloque la bolsa al revés, y sacuda las hojas y residuos.

⚠ ¡ADVERTENCIA! Nunca retire la bolsa recolectora sin antes colocar el interruptor de encendido en la posición de APAGADO ("O") y desenchufar la unidad de la fuente de alimentación.

⚠ ¡ADVERTENCIA! No use la máquina en el modo de aspirado/triturado sin los tubos de aspirado/triturado y la bolsa recolectora instalados.

Desatascamiento de un tubo/rotor atascado

⚠ ¡ADVERTENCIA! Para evitar lesiones personales severas, asegúrese de que la unidad esté APAGADA y desenchufada antes de desatascar el rotor.

⚠ ¡ADVERTENCIA! Para evitar lesiones personales severas, use siempre guantes para protegerse de las hojas del impulsor o demás objetos afilados.

Durante el proceso de aspirado/triturado, ciertos objetos tales como telas, cuerdas o ramas de diámetro grande pueden obstruir el ventilador y bloquear el motor. Un dispositivo de protección térmica, incorporado a la sopladora/ aspiradora/ trituradora, interrumpirá el flujo eléctrico hacia el motor para evitar daños por sobrecalentamiento.

En caso de que ocurra una obstrucción y la alimentación es recortada:

1. Deslice el interruptor de encendido y apagado hacia la posición de APAGADO ("O") hasta que la unidad se detenga por completo.
2. Desenchufe la unidad.
3. Retire el tubo soplador o tubos de aspirado/triturado y la bolsa recolectora.
4. Usando guantes protectores, retire cuidadosamente el material que obstruye el tubo o impulsor. Inspeccione las hojas del rotor para asegurarse de que no estén dañadas. Rote las hojas del impulsor con la mano para comprobar que la obstrucción haya sido despejada por completo.
5. Reinstale el tubo soplador o tubos de aspirado/triturado y la bolsa recolectora.
6. Espere tres minutos para que el motor se enfríe.
7. Vuelva a enchufar la unidad a la fuente de alimentación y coloque el interruptor de encendido y apagado en la posición de ENCENDIDO ("I"). La sopladora/ aspiradora/ trituradora volverá a funcionar con normalidad.

Mantenimiento

Para ordenar partes de repuesto o accesorios genuinos para la aspiradora/ sopladora/ trituradora SBJ606E-GA de Sun Joe®, visite sunjoe.com o comuníquese con la central de servicio al cliente Snow Joe® + Sun Joe® llamando al 1-866-SNOWJOE (1-866-766-9563).

⚠ ¡ADVERTENCIA! Desconecte el cable de extensión antes de realizar cualquier tarea de mantenimiento.

Si el cable de extensión está enchufado al artefacto, alguien puede accidentalmente encenderlo mientras usted esté inspeccionándolo, lo cual puede causar lesiones personales severas.

Limpieza de la unidad

⚠ ¡ADVERTENCIA! Para evitar lesiones personales severas, siempre apague la unidad y desenchúfela antes de limpiarla o repararla.

Use un cepillo pequeño para limpiar el exterior de la unidad. No use detergentes fuertes, limpiadores caseros que contengan aceites aromáticos (p. ej., pino y limón) o solventes agresivos tales como kerosene ya que estas sustancias pueden dañar la carcasa plástica o los mangos. Limpie cualquier humedad con un paño suave y seco.

1. Vacíe la bolsa luego de cada uso para evitar su deterioro y la obstrucción del flujo de aire que perjudicarán el rendimiento de la aspiradora/trituradora.
2. Use gafas protectoras y una máscara anti-polvo. Limpie la bolsa según sea necesario. Invierta la bolsa luego del vaciado inicial y sacúdala vigorosamente para sacar todo el polvo y residuos.
3. Lave la bolsa una vez al año, o más a menudo de ser necesario. Siga estas instrucciones:
 - i. Retire la bolsa.
 - ii. Invierta la bolsa.
 - iii. Cuélguela.
 - iv. Lávela a fondo con un chorro de agua de manguera.
 - v. Déjela colgando para que se seque.
 - vi. Vuelva a voltear la bolsa a su posición original y reinstálela.

Almacenamiento

1. Examine la sopladora/ aspiradora/ trituradora cuidadosamente y verifique que no haya partes gastadas, sueltas o dañadas. En caso de necesitar una reparación o reemplazar una parte, contacte a un concesionario autorizado Snow Joe® + Sun Joe® o comuníquese con la central de servicio al cliente Snow Joe® + Sun Joe® al 1-866-SNOWJOE (1-866-766-9563) para obtener asistencia.
2. Examine el cable de extensión cuidadosamente y busque señales de desgaste o daños. Si está gastado o dañado, reemplácelo inmediatamente.
3. Antes de guardar su sopladora/ aspiradora/ trituradora, desconecte el cable de extensión.
4. Guarde la sopladora/ aspiradora/ trituradora eléctrica junto con el cable en interiores, en un lugar limpio, seco y bajo llave, fuera del alcance de los niños y animales.

NOTA: los dispositivos de sujeción de cables de extensión están disponibles en el mercado, en caso de que usted desee comprar uno.

Servicio y soporte

Si su sopladora/ aspiradora/ trituradora SBJ606E-GA de Sun Joe® requiere servicio o mantenimiento, comuníquese con la central de servicio al cliente Snow Joe® + Sun Joe® llamando al 1-866-SNOWJOE (1-866-766-9563).

Modelo y número de serie

Al contactar a la empresa, ordenar partes de repuesto o programar una reparación en un centro autorizado, usted necesitará proporcionar el modelo y número de serie, los cuales se encuentran en la etiqueta ubicada en la carcasa de la unidad. Copie estos números en el espacio proporcionado a continuación.

Registre los siguientes números que se encuentran en la carcasa o mango de su nuevo producto:	
Modelo:	
S B J 6 0 6 E - G A	
Nº de serie:	

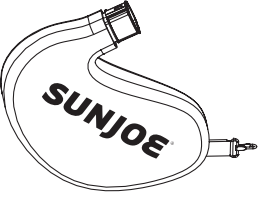
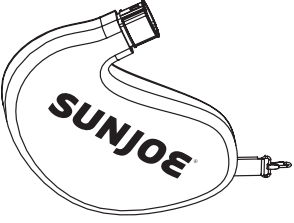
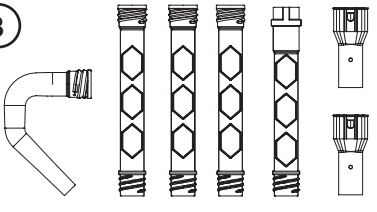
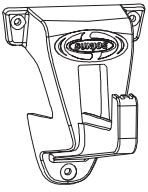
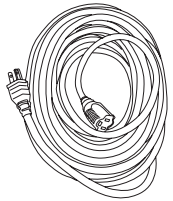
Solución de problemas

⚠ ¡ADVERTENCIA! Desconecte siempre el cable de alimentación antes de realizar cualquier ajuste, mantenimiento, o reparación a su sopladora/ aspiradora/ trituradora eléctrica.

Problema	Causa posible	Solución
La unidad no sopla ni tritura.	<ol style="list-style-type: none"> 1. Bolsa llena. 2. Tubo obstruido. 3. Turbina obstruida. 4. Bolsa sucia. 5. Bolsa desgarrada. 6. Bolsa abierta. 7. Unidad desenchufada. 	<ol style="list-style-type: none"> 1. Vacíe la bolsa. 2. Despeje la obstrucción. 3. Despeje la obstrucción. 4. Limpie la bolsa. 5. Reemplace la bolsa. 6. Cierre la bolsa. 7. Enchufe en un tomacorriente o cable de extensión.
La unidad no enciende.	<ol style="list-style-type: none"> 1. Unidad desenchufada. 2. El interruptor de encendido o de velocidad está en la posición de APAGADO ("O"). 3. Interruptor de alimentación defectuoso. 4. Los tubos de aspirado no están instalados correctamente. 5. La compuerta/cubierta de entrada no está cerrada. 6. La red eléctrica de la vivienda pudo haberse disparado. 	<ol style="list-style-type: none"> 1. Revise el cable para asegurarse de que esté enchufado a un tomacorriente. 2. Deslice el interruptor de encendido/ apagado a la posición de ENCENDIDO ("I") y seleccione su velocidad deseada con el interruptor de control de velocidad. 3. Llame a la central de servicio al cliente Snow Joe® + Sun Joe® al 1-866-SNOWJOE (1-866-766-9563). 4. Inspeccione los tubos de aspirado y asegúrese de que estén correctamente instalados para permitir que el interruptor sea activado. 5. Asegúrese de que la compuerta/cubierta de entrada esté completamente cerrada y trabada. 6. Inspeccione el panel del disyuntor de pared y reestablézcalo de ser necesario.

Accesorios opcionales

⚠ ¡ADVERTENCIA! USE SIEMPRE solo partes de repuesto y accesorios Snow Joe® + Sun Joe®. NUNCA use partes de repuesto o accesorios que no estén destinados para su uso con esta sopladora/ aspiradora/ trituradora eléctrica. Comuníquese con Snow Joe® + Sun Joe® si tiene dudas sobre si es seguro usar una parte de repuesto o accesorio en particular con su sopladora/ aspiradora/ trituradora eléctrica. El uso de cualquier otro accesorio o parte puede ser peligroso y causar lesiones personales o daños mecánicos.

Accesorio	Descripción	Modelo
<p>1</p> 	<p>Bolsa para césped de 12 gal (45 l)</p>	<p>SBJ603E-BAG (Para uso con modelos de sopladora/ aspiradora/ trituradora SBJ603E + SBJ605E + SBJ606E-GA)</p>
<p>2</p> 	<p>Bolsa para césped de 18 gal (68 L)</p>	<p>SBJ605E-BAG18 (Para uso con modelos de sopladora/ aspiradora/ trituradora SBJ603E + SBJ605E + SBJ606E-GA)</p>
<p>3</p> 	<p>Juego de accesorios de limpieza de canaletas</p>	<p>SBJ6-GA (Para uso con modelos de sopladora/ aspiradora/ trituradora SBJ601E + SBJ603E + SBJ605E + SBJ606E-GA + iONBV)</p>
<p>4</p> 	<p>Soporte universal de pared con hardware de montura</p>	<p>SJWB (Compatible con la mayoría de herramientas Snow Joe® + Sun Joe®)</p>
<p>5</p> 	<p>Cable de extensión de 50 pies y calibre 14 Snow Joe® + Sun Joe® SJTW-A con extremo iluminado</p>	<p>PJEXT50-B</p>

NOTA: los accesorios están sujetos a cambios sin obligación alguna por parte de Snow Joe® + Sun Joe® de notificar sobre dichos cambios. Los accesorios pueden ser pedidos en línea en sunjoe.com o vía telefónica llamando a la central de servicio al cliente Snow Joe® + Sun Joe® al 1-866-SNOWJOE (1-866-766-9563).



LA PROMESA DE SNOW JOE® + SUN JOE® AL CLIENTE

POR SOBRE TODO, en Snow Joe, LLC (“Snow Joe”) estamos dedicados a usted, nuestro cliente. Nos esforzamos por hacer que su experiencia sea lo más placentera posible. Desafortunadamente, hay veces en que un producto Snow Joe®, Sun Joe®, o Aqua Joe® (el “Producto”) no funciona o sufre un desperfecto bajo condiciones normales de operación. Creemos que es importante que usted sepa que puede confiar en nosotros. Es por eso que tenemos esta Garantía Limitada (la “Garantía”) para nuestros Productos.

NUESTRA GARANTÍA:

Snow Joe garantiza que sus Productos motorizados y no motorizados, nuevos y genuinos, están libres de defectos materiales o de mano de obra al ser usados en tareas domésticas normales durante un periodo de dos (2) años a partir de la fecha de compra por parte del comprador original y usuario final, cuando este último los compra a través de Snow Joe o un vendedor autorizado por Snow Joe y ha obtenido un comprobante de compra. Ya que Snow Joe no puede controlar la calidad de sus Productos vendidos por vendedores no autorizados, a menos que la ley lo prohíba esta Garantía no cubre Productos adquiridos a través de vendedores no autorizados. Si su Producto no funciona, o hay un problema con una parte específica que está cubierta por los términos de esta Garantía, Snow Joe elegirá entre: (1) enviarle una parte de repuesto gratuita; (2) reemplazar el Producto con uno nuevo o similar sin costo alguno; o (3) reparar el Producto. ¡Un excelente soporte!

Esta Garantía le da derechos legales específicos, y usted puede también tener otros derechos según el Estado.

REGISTRO DEL PRODUCTO:

Snow Joe le recomienda enfáticamente registrar su Producto. Usted puede registrar su Producto en línea visitando snowjoe.com/register, imprimiendo y enviando por correo una tarjeta de registro disponible en línea en nuestro sitio Web, llamando a nuestra central de servicio al cliente al **1-866-SNOWJOE (1-866-766-9563)**, o enviándonos un e-mail a help@snowjoe.com. Si usted no registra su Producto sus derechos de garantía no disminuirán; sin embargo, registrar su Producto permitirá que Snow Joe le pueda atender mejor si usted tiene alguna necesidad como cliente.

¿QUIÉN PUEDE SOLICITAR COBERTURA DE GARANTÍA LIMITADA?

Esta Garantía es otorgada por Snow Joe al comprador original y propietario original del Producto.

¿QUÉ NO ESTÁ CUBIERTO?

Esta Garantía no se aplica si el Producto ha sido usado de forma comercial o en aplicaciones no domésticas o de alquiler. Esta Garantía tampoco se aplica si el Producto fue adquirido desde un vendedor no autorizado. Esta garantía tampoco cubre cambios cosméticos que no afecten el funcionamiento del Producto. Las partes desgastables como correas, brocas y cuchillas no están cubiertas por esta Garantía, y pueden ser compradas visitando snowjoe.com o llamando al **1-866-SNOWJOE (1-866-766-9563)**.



SOUFFLEUR ASPIRO-BROYEUR ÉLECTRIQUE

14 A | 4 en 1 | TUYAUX DE NETTOYAGE DE GOUTTIÈRE EN PRIME

MANUEL D'UTILISATION

Une division de Snow Joe®, LLC

Modèle **SBJ606E-GA**

Formulaire n° SJ-SBJ606E-GA-MR4

IMPORTANT!

Consignes de sécurité

Tous les utilisateurs doivent lire ces instructions avant d'utiliser la machine.

Tout appareil électrique peut être dangereux s'il est mal utilisé. Certaines des consignes de sécurité fournies dans ce manuel s'appliquent généralement à de nombreux appareils. D'autres avertissements sont spécifiques à l'utilisation de ce souffleur aspiro-broyeur électrique.

Suivez toujours ces consignes de sécurité. Ne pas s'y conformer peut entraîner de graves blessures pouvant même être fatales.

⚠ DANGER! Ceci indique une situation dangereuse qui entraînera des blessures graves, voire même fatales, si les consignes ne sont pas suivies.

⚠ AVERTISSEMENT! Ceci indique une situation dangereuse qui, en l'absence de précautions, pourrait entraîner des blessures graves, voire même fatales.

⚠ MISE EN GARDE! Ceci indique une situation dangereuse qui, en l'absence de précautions, pourrait entraîner des blessures mineures ou modérément graves.

Sécurité générale

POUR USAGE DOMESTIQUE UNIQUEMENT

Avant d'utiliser la machine, assurez-vous que toutes les personnes l'utilisant ont lu et compris toutes les consignes de sécurité et les autres informations fournies dans ce manuel. Conservez ce manuel et consultez-le fréquemment avant d'utiliser cette machine et quand vous apprenez à d'autres personnes les procédures d'utilisation appropriées.

⚠ MISE EN GARDE! Porter une protection de l'ouïe pendant l'utilisation. Après de longues périodes d'utilisation, le bruit généré par cette machine peut entraîner des pertes auditives si les oreilles ne sont pas convenablement protégées.

⚠ AVERTISSEMENT! Lors de l'utilisation d'outils de jardinage électriques, il faut toujours prendre des mesures de sécurité élémentaires pour réduire le risque d'incendie, d'électrocution ou de blessure, notamment :


- 1. Maintenir la zone de travail propre et bien éclairée** – Les endroits encombrés et sombres sont propices aux accidents.
- 2. Pièces de rechange** – Pour réparer cette machine, utilisez uniquement des pièces de rechange identiques. Remplacez ou réparez immédiatement tout cordon endommagé.
- 3. Maintenir les enfants, les spectateurs et les animaux familiers à bonne distance** – Tous les spectateurs, notamment les animaux familiers, doivent être maintenus à une distance de sécurité de la zone de travail.
- 4. S'habiller en conséquence** – Ne portez ni vêtements amples ni bijoux, ceux-ci pouvant se prendre dans les pièces mobiles. Les cheveux longs doivent être ramassés sous un couvre-chef. Il est recommandé de porter des gants en caoutchouc et des chaussures suffisamment montantes et antidérapantes pour tout travail à l'extérieur.
- 5. Rallonges électriques** – Pour éviter de vous électrocuter, utilisez uniquement une rallonge prévue pour l'extérieur.
- 6. Éviter tout démarrage accidentel** – Ne transportez pas le souffleur aspiro-broyeur en maintenant le doigt sur l'interrupteur. Avant de brancher la machine, assurez-vous que l'interrupteur est sur la position d'arrêt.

⚠ DANGER! Ne pas insérer manuellement des objets dans la buse d'aspiration pendant l'utilisation de la machine, ceci pouvant gravement l'endommager ou blesser l'utilisateur. Maintenir les deux mains sur les poignées quand on utilise la machine.

NE PAS ESSAYER de retirer ou de retenir quoi que ce soit destiné à être aspiré quand le souffleur aspiro-broyeur est en marche. Avant de déboucher la buse d'aspiration, s'assurer que le souffleur aspiro-broyeur est éteint. Ne pas ramasser le souffleur aspiro-broyeur par la buse ou essayer de le transporter par la buse.

⚠ MISE EN GARDE! Les pièces mobiles continueront leur mouvement plusieurs secondes après avoir arrêté la machine.

- 7. Ne pas utiliser le cordon à mauvais escient** – Ne tirez jamais le souffleur aspiro-broyeur par le cordon et ne tirez pas brusquement sur le cordon pour le retirer de la prise. Maintenez le cordon éloigné de la chaleur, de l'huile et des objets tranchants.

- 8. Pièces mobiles** – Gardez les mains et les pieds éloignés des pièces mobiles. Maintenez les dispositifs de sécurité en place et en bon ordre de marche.
- 9. Ne pas forcer la machine** – Elle fonctionnera mieux, sera moins dangereuse et moins susceptible de tomber en panne si elle est utilisée au régime pour lequel elle a été conçue.
- 10. Porter un équipement de protection individuel** – Quand vous utilisez cette machine, portez des lunettes de sécurité munies d'écrans latéraux ou des lunettes de protection pour vous protéger efficacement les yeux. Portez des protecteurs d'oreilles pour prévenir toute diminution de l'acuité auditive. Utilisez un protecteur facial ou un masque protecteur contre la poussière si l'environnement de travail est poussiéreux.
- 11. Débrancher la machine** – Débranchez le souffleur aspiro-broyeur quand vous ne l'utilisez pas, avant d'intervenir dessus, quand vous changez d'accessoire ou quand vous effectuez toute autre tâche d'entretien.
- 12. Remiser la machine à l'intérieur** – Si vous ne l'utilisez pas, le souffleur aspiro-broyeur doit être remis à l'intérieur dans un endroit sec, surélevé et sous clé, hors de portée des enfants.
- 13. Entretien du souffleur aspiro-broyeur avec soin** – Pour un rendement optimal et pour réduire le risque de blessures, maintenez la buse de soufflage et le voisinage du rotor bien dégagés et propres. Inspectez périodiquement la rallonge électrique et remplacez-la si elle est endommagée. Maintenez les poignées sèches, propres et exemptes d'huile et de graisse. Suivez les recommandations complémentaires décrites dans la section Entretien de ce manuel.
- 14. Un disjoncteur différentiel de fuite de terre (DDFT)** doit être fourni sur le ou les circuits ou la ou les prises utilisés pour le souffleur aspiro-broyeur. Des prises intégrant un disjoncteur de fuite de terre sont offertes et peuvent être utilisées pour répondre à cette mesure de sécurité.
- 15. Utiliser le bon outil** – N'utilisez pas la machine pour des travaux différents de ceux auxquels elle est destinée.
- 16.  Double isolation** – La double isolation élimine la nécessité d'utiliser un cordon d'alimentation trifilaire classique en fournissant une mesure de sécurité pendant l'utilisation d'un outil ou d'une machine électrique. Dans un outil ou une machine à double isolation, toutes les pièces de métal à nu sont isolées des composants internes en métal du moteur par des isolants de protection. Les outils et machines à double isolation ne nécessitent pas d'être mis à la terre.
- REMARQUE** : le système à double isolation est destiné à protéger l'utilisateur des décharges électriques dues à la rupture d'un isolant interne de la machine. Pour éviter les électrocutions, observez toutes les précautions de sécurité normales.
- 17. Éviter les endroits dangereux** – N'utilisez pas le souffleur aspiro-broyeur sous la pluie ou dans les endroits humides. Ne l'utilisez pas non plus quand il y a du gaz dans l'air

ou quand l'atmosphère est explosive ou pour aspirer des liquides inflammables ou combustibles. Le moteur de ce type de machines produit des étincelles qui peuvent enflammer des vapeurs.

- 18. Rester vigilant** – Faites preuve de bon sens. N'utilisez pas le souffleur aspiro-broyeur si vous êtes fatigué, si vous êtes sous l'emprise de l'alcool ou de la drogue ou si vous avez pris des médicaments.

Consignes de sécurité supplémentaires

- Faites preuve d'extrême vigilance lors du nettoyage d'escaliers.
- Restez en permanence sur vos deux pieds pour ne pas perdre l'équilibre. Ne vous arc-boutez pas. Vous pourriez perdre l'équilibre en vous arc-boutant.
- Désactivez toutes les commandes avant de débrancher la machine.
- N'utilisez pas la machine si l'interrupteur ne réussit pas à la mettre en marche ou à l'arrêter. Toute machine électrique qui ne répond pas aux commandes de l'interrupteur est dangereuse et doit être réparée.
- N'utilisez pas la machine si une fiche du cordon est endommagée. Si la machine ne fonctionne pas comme elle le devrait, ou si elle est tombée, si elle a été endommagée, laissée à l'extérieur ou si elle est tombée dans de l'eau, retournez-la à un revendeur Snow Joe® + Sun Joe® agréé ou communiquez avec le service clientèle Snow Joe® + Sun Joe® au 1-866-SNOWJOE (1-866-766-9563).
- N'aspirez pas ce qui brûle ou ce qui fume, par exemple les cigarettes, les allumettes ou les cendres chaudes.
- N'utilisez pas la machine sans que le sac et/ou les filtres à poussière soient en place.
- Inspectez soigneusement la machine avant de l'utiliser et suivez toutes les consignes sur les étiquettes ou marquées sur la machine.
- Maintenez l'extrémité de la buse de soufflage éloignée du visage et du corps.
- Débranchez toujours cette machine avant de poser ou de retirer la buse d'aspiration.
- N'utilisez pas cette machine quand les matériaux à souffler sont humides.
- Maintenez toutes les parties du corps éloignées de toutes les pièces mobiles et de toutes les surfaces chaudes de la machine.
- N'insérez rien dans les ouvertures de la machine. N'utilisez pas la machine si la moindre ouverture est obstruée. Maintenez toutes les ouvertures exemptes de poussière, de peluche, de cheveux et de tout ce qui peut réduire le débit d'air.
- Inspectez la zone de travail avant chaque utilisation. Retirez tout ce qui pourrait être rejeté par la machine ou qui

pourrait se prendre dedans, par exemple des roches, des éclats de verre, des clous, du fil de fer ou de la ficelle.

- Toute intervention sur la machine doit être effectuée uniquement par du personnel qualifié. Les réparations ou l'entretien effectués par du personnel non qualifié peuvent endommager la machine et sont susceptibles de blesser l'utilisateur.
- Ce souffleur aspiro-broyeur est destiné uniquement à un usage résidentiel. L'utilisation commerciale de cette machine est interdite et annule la garantie du fabricant.
- Ne jamais utiliser la machine sans y avoir attaché au préalable les accessoires appropriés. Assurez-vous toujours que les buses de soufflage sont correctement posées.

Règles de sécurité spécifiques aux souffleurs aspiro-broyeurs

- Cette machine a été conçue non seulement pour souffler/ramasser, mais aussi pour aspirer/broyer les feuilles mortes et d'autres débris secs que l'on trouve dans les jardins, par exemple de l'herbe et des brindilles.
- Lors de l'utilisation de la machine en mode souffleur, ne jamais pointer la buse de soufflage en direction de personnes, d'animaux familiers ou de fenêtres. Faites preuve d'extrême prudence quand vous balayez des débris à proximité de tout ce qui présente une structure solide, par exemple les arbres, les voitures ou les murs.
- Quand vous la transportez, assurez-vous que la machine ne présente aucun danger.
- N'arrosez ou n'aspergez jamais de l'eau ou tout autre liquide sur la machine. Nettoyez la machine après chaque utilisation comme cela est décrit dans la section Nettoyage et remisage.

Sécurité électrique

1. Un disjoncteur différentiel de fuite de terre (DDFT) doit équiper le(s) circuit(s) ou la(les) prise(s) utilisés pour ce souffleur aspiro-broyeur électrique. Des prises intégrant un DDFT sont offertes et peuvent être utilisées pour répondre à cette mesure de sécurité.
2. Assurez-vous que la tension de secteur correspond à celle indiquée sur l'étiquette signalétique de la machine. L'utilisation d'une tension inappropriée pourrait endommager le moteur et blesser l'utilisateur.
3. Pour éviter une électrocution, utilisez uniquement une rallonge électrique appropriée pour l'extérieur, par exemple les modèles SW-A, SOW-A, STW-A, STOW-A, SJW-A, SJOW-A, SJTW-A ou SJTOW-A.

Avant son utilisation, vérifiez que la rallonge électrique est en bon état. Si vous utilisez une rallonge électrique, assurez-vous qu'elle est de calibre suffisant pour le courant que la machine va consommer. Une rallonge sous-dimensionnée provoquera une chute de tension dans les lignes, ce qui entraînera une perte de puissance et une surchauffe.



AVERTISSEMENT



Toute électrocution peut entraîner des BLESSURES GRAVES pouvant même être FATALES. Tenir compte de ces avertissements :

- Ne laisser aucune pièce du souffleur aspiro-broyeur électrique entrer en contact avec de l'eau pendant son utilisation. Si la machine se mouille quand elle est à l'arrêt, l'essuyer avant de la redémarrer.
- Utiliser uniquement une rallonge électrique homologuée UL, CSA ou ETL, recommandée pour une utilisation à l'extérieur et tout temps, par exemple la rallonge électrique 15 m de calibre 14 Snow Joe® + Sun Joe® SJTW-A dont les extrémités s'éclairent quand elle est sous tension (modèle PJEXT50-B). Veuillez vous rendre sur le site sunjoe.com pour acheter en ligne cette rallonge électrique ou, pour la commander par téléphone, appelez le 1-866-SNOWJOE (1-866-766-9563).
- Ne pas utiliser de rallonge électrique d'une longueur supérieure à 30 m.
- Ne pas toucher la machine ou sa prise de courant les mains mouillées ou les pieds dans l'eau. Le port de bottes de caoutchouc offre une certaine protection.

CARACTÉRISTIQUES DES RALLONGES ÉLECTRIQUES

Longueur de la rallonge électrique	Jusqu'à 15 m	+15 m -30 m
Calibre de fil (AWG)	14	12

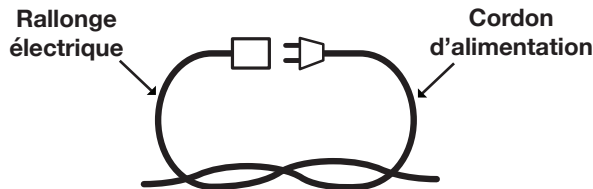
4. Pour réduire le risque d'électrocution, cette machine est munie d'une fiche polarisée (c.-à-d., une lame est plus large que l'autre). Utilisez uniquement une rallonge à fiche polarisée, homologuée UL, CSA ou ETL, recommandée pour une utilisation à l'extérieur et tout temps, par exemple la rallonge électrique 15 m de calibre 14 Snow Joe® + Sun Joe® SJTW-A dont les extrémités s'éclairent quand elle est sous tension (modèle PJEXT50-B). Veuillez vous rendre sur le site sunjoe.com pour acheter en ligne cette rallonge électrique ou, pour la commander par téléphone, appelez le 1-866-SNOWJOE (1-866-766-9563).

La fiche de la machine ne s'insère que d'une seule façon dans une rallonge à fiche polarisée. Si la fiche de la machine ne rentre pas complètement dans la rallonge, inversez-la. Si la fiche ne s'insère toujours pas, procurez-vous une rallonge à fiche polarisée. Une rallonge à fiche polarisée nécessite l'utilisation d'une prise murale polarisée. La fiche polarisée de la rallonge ne s'insère que d'une seule façon dans la prise murale polarisée. Si la fiche ne rentre pas complètement dans la prise murale, inversez-la. Si la fiche ne s'insère toujours pas, communiquez avec un électricien qualifié pour qu'il pose

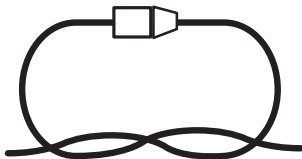
une prise adéquate. Ne modifiez en aucune façon la fiche de la machine, la prise de la rallonge ou la fiche de la rallonge.

5. Pour empêcher que le cordon de la machine se débranche de la rallonge électrique pendant son utilisation, faites un nœud avec les deux cordons comme l'indique l'illustration du Tableau 1.

Tableau 1. Méthode d'attache de rallonge électrique




(A) Nouer les cordons comme sur l'illustration



(B) Brancher la fiche dans la prise

6. Ne pas débrancher le cordon en tirant dessus. Pour débrancher, saisir la fiche et non le cordon. N'utilisez pas le cordon à mauvais escient. Ne tirez jamais le souffleur aspiro-broyeur par le cordon et ne tirez pas brusquement sur le cordon pour le retirer de la prise. Maintenez le cordon éloigné de la chaleur, de l'huile et des objets tranchants.

Outils et machines à double isolation

Les outils ou machines à double isolation sont dotés de deux systèmes d'isolation au lieu d'une mise à la terre. Aucune mise à la terre n'est prévue sur les outils ou machines à double isolation et aucune mise à la terre ne doit être ajoutée. Toute intervention sur un outil ou une machine à double isolation exige une attention extrême et une parfaite connaissance du système et doit être effectuée uniquement par du personnel technique qualifié chez un revendeur Snow Joe® + Sun Joe® agréé. Les pièces de rechange pour un outil ou une machine à double isolation doivent être identiques aux pièces d'origine. Les indications « Double Insulation » (Double isolation) ou « Double Insulated » (Doublement isolé) sont marquées sur tous les outils ou machines à double isolation. Le symbole  (carré dans un carré) peut être également marqué sur l'outil ou la machine.









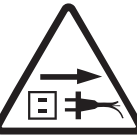




DOUBLE ISOLATION : MISE À LA TERRE NON REQUISE. POUR LES RÉPARATIONS, UTILISER UNIQUEMENT DES PIÈCES DE RECHANGE IDENTIQUES.

Le souffleur aspiro-broyeur électrique est à double isolation, éliminant ainsi la nécessité d'un système séparé de mise à la terre. Utilisez uniquement des pièces de rechange identiques. Lisez les instructions avant d'intervenir sur un outil ou une machine à double isolation. Utilisez ce souffleur aspiro-broyeur comme cela est décrit dans ce manuel.

Symboles de sécurité

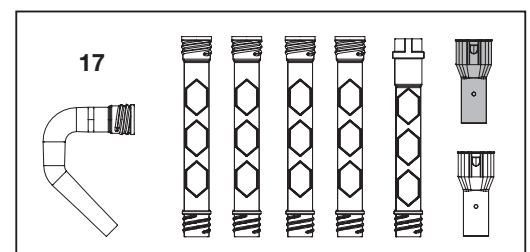
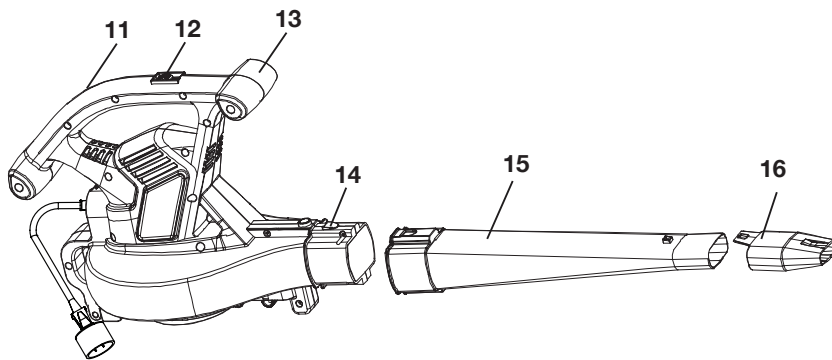
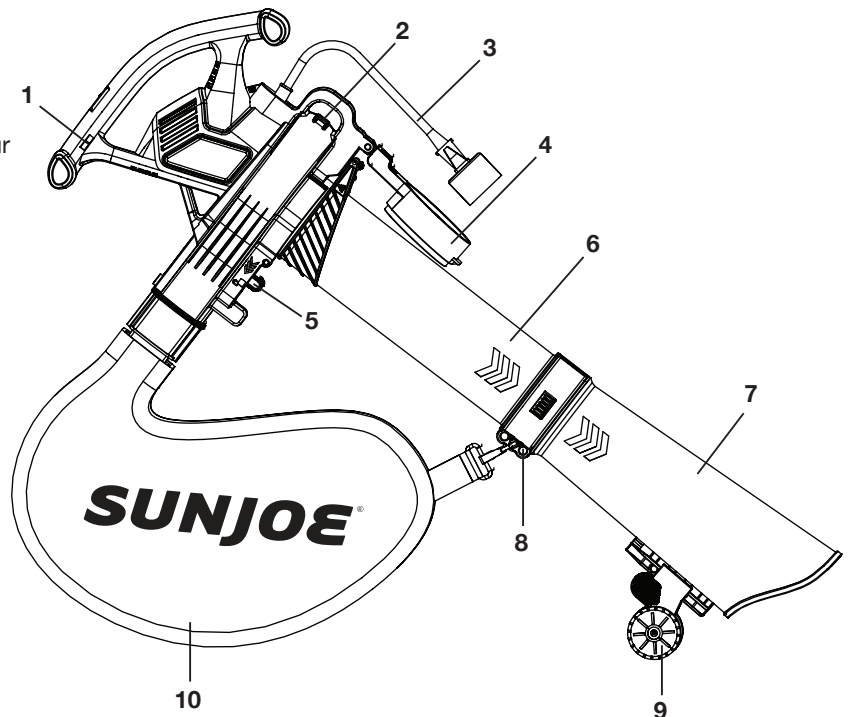
Le tableau suivant décrit et explique les symboles de sécurité pouvant être marqués sur cette machine. Avant d'essayer de procéder à son assemblage et de l'utiliser, lisez, comprenez et suivez toutes les instructions sur cette machine.

Symboles	Descriptions	Symboles	Descriptions
	LIRE LE OU LES MANUELS D'UTILISATION – Lire, comprendre et suivre toutes les consignes de sécurité du ou des manuels avant d'essayer d'assembler et d'utiliser l'outil.		Maintenir les spectateurs et les enfants à une distance de sécurité suffisante.
	ALERTE DE SÉCURITÉ – Indique une précaution, un avertissement ou un danger.		AVERTISSEMENT! Ne pas exposer l'outil à la pluie ou à l'humidité.
	Prendre garde aux objets et aux débris volants.		Porter une protection de l'ouïe. Porter des lunettes de protection. Porter un masque respiratoire.
	DANGER! Les lames rotatives posent de graves risques de dommages corporels. Maintenir les cheveux, les vêtements et toutes les parties du corps à l'écart de la prise d'air et de toutes les ouvertures. Attacher les cheveux au-dessus des épaules et derrière la tête. Ne pas laisser les cheveux ou les vêtements se prendre dans la machine. Toute personne ne maintenant pas ses cheveux, ses vêtements et toutes les parties de son corps à l'écart de la prise d'air pourrait se blesser.		La pièce mobile continuera de tourner plusieurs secondes après avoir arrêté l'outil.
	Retirer immédiatement la fiche du secteur si le cordon d'alimentation est endommagé, effiloché ou emmêlé. Toujours maintenir le cordon d'alimentation éloigné de la chaleur, de l'huile ou des objets tranchants.		AVERTISSEMENT! Arrêter l'outil et le débrancher de la source d'alimentation avant de l'inspecter, de le nettoyer, de changer des accessoires ou de conduire tout autre travail d'entretien.
	DOUBLE ISOLATION : pour les réparations, utiliser uniquement des pièces de rechange identiques.		

Apprenez à mieux connaître votre souffleur aspiro-broyeur électrique

Avant d'utiliser le souffleur aspiro-broyeur électrique, lisez attentivement le manuel de l'utilisateur et les consignes de sécurité. Comparez l'illustration ci-dessous avec le souffleur aspiro-broyeur électrique pour vous familiariser avec l'emplacement des différents réglages et commandes. Conservez ce manuel pour pouvoir le consulter dans le futur.

1. Sélecteur de vitesse variable du souffleur (vitesses de 1 à 6)
2. Attache-cordon
3. Cordon d'alimentation
4. Obturateur d'arrivée d'air de l'aspirateur/broyeur
5. Bouton de verrouillage de l'obturateur d'arrivée d'air de l'aspiro/broyeur
6. Buse arrière d'aspiration/broyage
7. Buse avant d'aspiration/broyage
8. Attache-sac
9. Roue
10. Sac de ramassage
11. Poignée
12. Interrupteur marche-arrêt
13. Poignée auxiliaire
14. Bouton de déverrouillage de buse
15. Buse de soufflage
16. Buse de concentration du souffleur
17. Ensemble accessoire de nettoyage de gouttière



REMARQUE : le raccord à tube vert doit être utilisé uniquement avec la Série iONBV.

Données techniques

Moteur	14 A	Rapport de réduction par broyage	16:1
Tension nominale.....	120 V ~ 60 Hz	Modes disponibles	Souffleur et Aspiro/broyeur
Régime à vide.....	10 000 - 16 000 tr/min	Contenance du sac	68 l
Rotor.....	Alliage d'aluminium	Poids net du souffleur	3 kg
Vitesse du débit d'air max.....	402 km/h	Poids net de l'aspiro-broyeur	4,1 kg
Débit d'air du souffleur max.	4,2 m ³ /min	Poids net des accessoires pour gouttières	1,2 kg
Débit d'air de l'aspirateur max.	12,5 m ³ /min		
Nombre de vitesses.....	6		

Déballage

Contenu de la caisse

- Souffleur aspiro-broyeur électrique
- Buse de soufflage
- Buse de concentration du souffleur
- Buse avant d'aspiration/broyage
- Buse arrière d'aspiration/broyage
- Sac de ramassage
- Ensemble roue
- Accessoire de nettoyage de gouttière
- Manuel et carte d'enregistrement

1. Retirez soigneusement le souffleur aspiro-broyeur électrique de la caisse et inspectez-le pour vérifier que tous les éléments énumérés ci-dessus sont fournis.
2. Inspectez soigneusement le contenu pour vous assurer qu'aucun élément ne s'est cassé ou n'a été endommagé pendant le transport. Si vous constatez que des pièces manquent ou sont endommagées, NE PAS retourner la caisse au magasin. Veuillez appeler le service clientèle Snow Joe® + Sun Joe® au 1-866-SNOWJOE (1-866-766-9563).

REMARQUE : ne jetez pas la caisse d'expédition et l'emballage tant que vous n'êtes pas prêt à utiliser le souffleur aspiro-broyeur électrique. L'emballage est fabriqué dans des matériaux recyclables. Éliminez ces matériaux de façon appropriée et conformément aux réglementations locales.

IMPORTANT! Le matériel et l'emballage ne sont pas des jouets. Ne laissez pas les enfants jouer avec les sacs en plastique, les feuilles métalliques ou les petites pièces. Ces éléments peuvent être avalés et risquent de provoquer une suffocation!

Assemblage

⚠️ AVERTISSEMENT! Pour éviter de graves blessures, lire et comprendre toutes les consignes de sécurité fournies.

⚠️ AVERTISSEMENT! Ne pas brancher sur une source d'alimentation électrique tant que l'assemblage n'est pas terminé. Ne pas tenir compte de cet avertissement peut être à l'origine d'un démarrage accidentel et, potentiellement, de graves blessures.

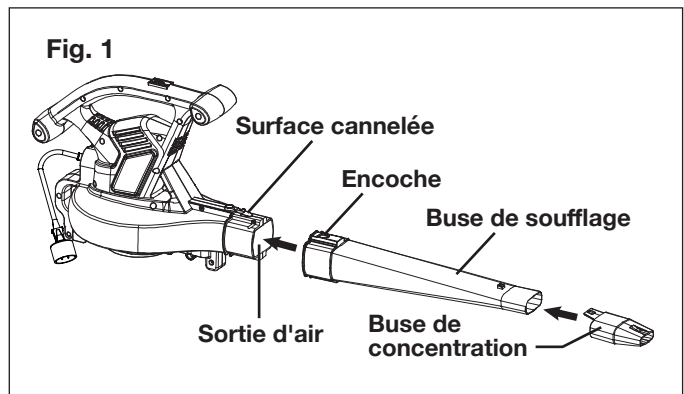
⚠️ AVERTISSEMENT! Avant d'effectuer le moindre entretien, s'assurer que la machine est débranchée de la source d'alimentation électrique. Toute personne ne tenant pas compte de ces avertissements s'expose à de graves blessures.

⚠️ AVERTISSEMENT! Pour éviter de se blesser gravement, avant de poser ou de retirer une buse, s'assurer que l'interrupteur est sur la position « O » (Arrêt), que la machine est débranchée et que le rotor s'est complètement arrêté.

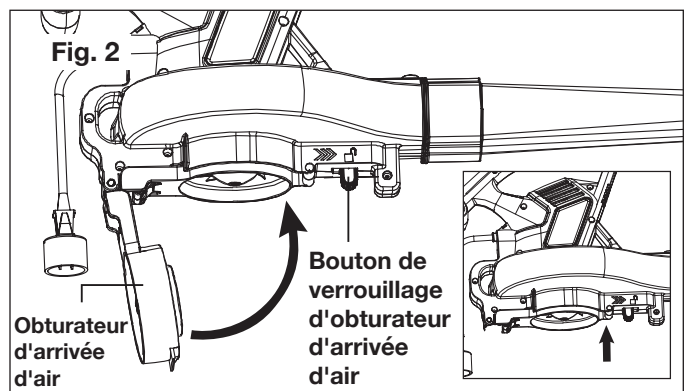
Assemblage en mode souffleur

1. Glissez la buse de soufflage vers l'avant jusqu'à ce que la partie cannelée du caisson moteur vienne s'enclencher dans la fente de la buse de soufflage (Fig. 1).
2. Insérez la buse de concentration dans l'extrémité de la buse de soufflage jusqu'à ce qu'elle soit en place et s'enclenche (Fig. 1).

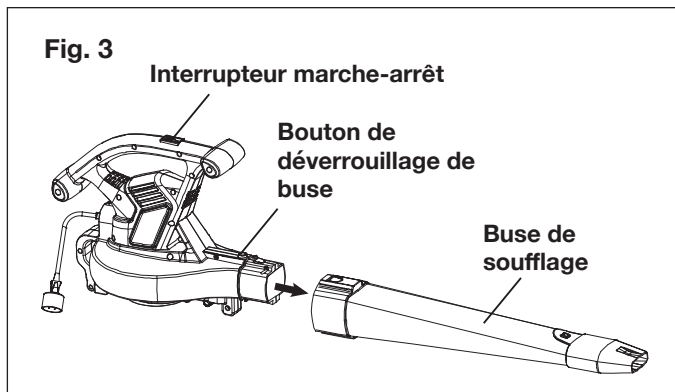
REMARQUE : la buse de concentration est utilisée pour augmenter le débit d'air dans les endroits exigus (p. ex., autour des massifs de fleurs, sous les terrasses, etc.).



3. Avant d'utiliser la fonction souffleur, fermez bien l'arrivée d'air en poussant l'obturateur d'arrivée d'air jusqu'à ce que le bouton de verrouillage s'enclenche en position verrouillée (Fig. 2).



4. Pour retirer la buse de soufflage, faites glisser l'interrupteur marche-arrêt sur la position « (O) » (Arrêt) et débranchez la machine du secteur.
5. Appuyez sur le bouton de déblocage de buse et retirez la buse de soufflage (Fig. 3).



Ensemble accessoire de nettoyage de gouttière

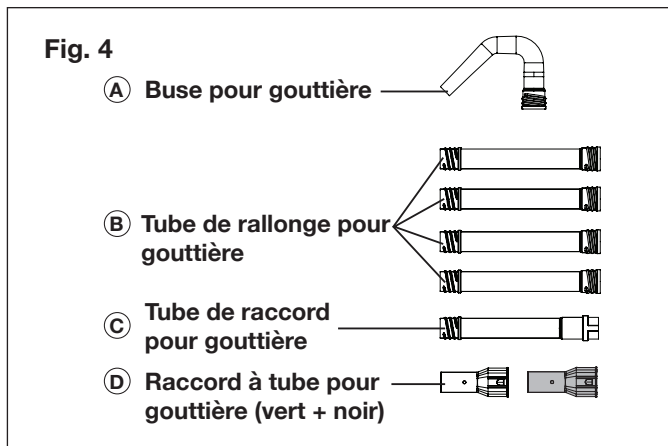
Débarrassez-vous des feuilles, de la saleté et des débris qui obstruent les gouttières sans n'avoir plus jamais à grimper sur une échelle instable ou à vous suspendre dangereusement au tuyau de descente. Attachez simplement les tuyaux robustes et modulables en PVC pour augmenter votre portée jusqu'à 4,60 m et libérer une véritable tornade dans les gouttières. Le nettoyage régulier de vos gouttières les empêche de s'obstruer pour leur assurer un rendement optimal et éliminer la formation possible et coûteuse de digues de glace.

⚠ MISE EN GARDE! Toutes les personnes utilisant cet accessoire sur leur souffleur électrique doivent porter des vêtements serrés près du corps, des lunettes de sécurité et un masque protecteur contre la poussière. Maintenir tous les spectateurs et les animaux familiers à bonne distance de la zone de travail. Prendre garde aux corps étrangers pouvant être rejetés par le souffleur.

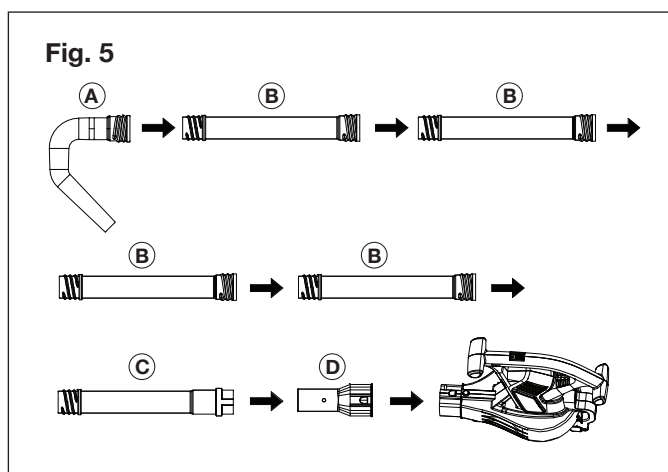
- NE PAS utiliser le souffleur équipé de cet accessoire de nettoyage de gouttière en état de fatigue.
- NE PAS s'arc-bouter ou se tenir debout sur un support instable. Restez en permanence sur les deux pieds pour ne pas perdre l'équilibre.
- Ne dirigez jamais le flux d'air vers des spectateurs. Soyez toujours conscient de la direction dans laquelle les débris seront rejetés.
- Utilisez un masque facial filtrant pour éviter de respirer de la poussière et des débris.

1. Attachez les différents éléments de l'accessoire de nettoyage de gouttière comme l'indique les Fig. 4 et 5 : attachez ensemble les éléments A, B et C en les vissant l'un dans l'autre. Insérez l'ensemble A, B et C dans l'élément D jusqu'à ce qu'il s'enclenche et insérez ensuite l'accessoire complet pour gouttière dans le souffleur électrique jusqu'à ce qu'il s'enclenche.

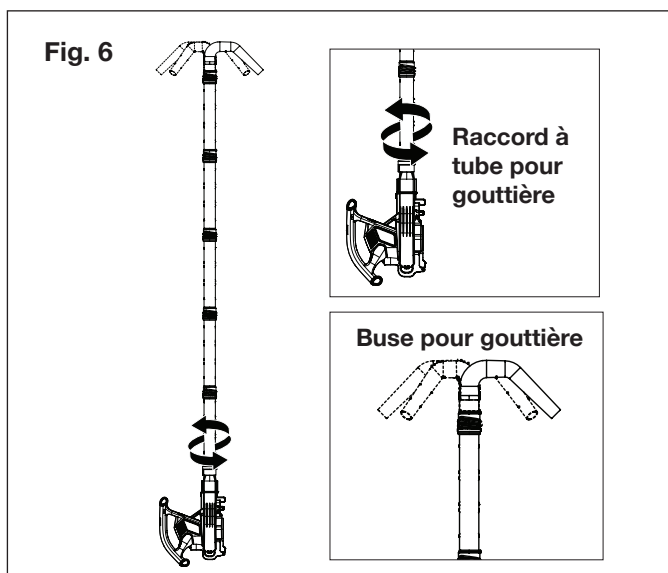
REMARQUE : utilisez uniquement la longueur de tubes de rallonge nécessaire pour atteindre facilement l'intérieur de la gouttière que vous voulez nettoyer.



REMARQUE : le raccord à tube vert doit être utilisé uniquement avec la Série iONBV.



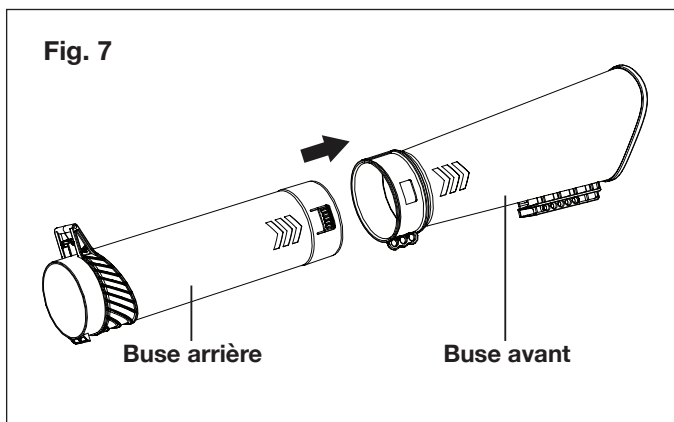
2. La buse pour gouttière (A) peut s'orienter dans la direction souhaitée par simple rotation du raccord à tube pour gouttière (D), comme l'indique la Fig. 6. Les travaux de nettoyage de gouttière peuvent prendre des formes variées. Nous vous recommandons d'essayer différentes positions de la buse jusqu'à ce que vous trouviez celle qui est la plus efficace pour les gouttières de votre maison.



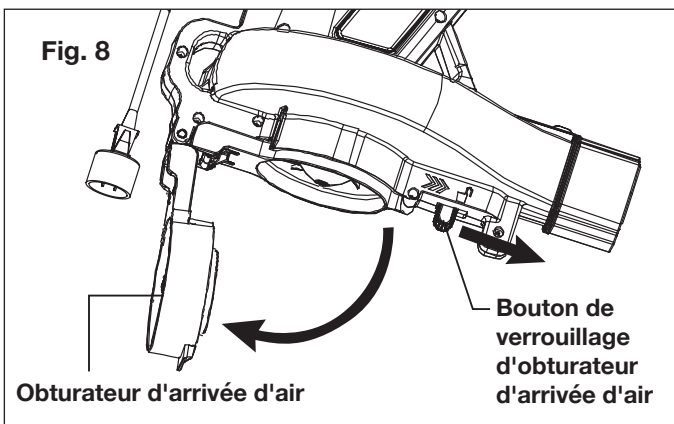
REMARQUE : si vous avez la moindre question, n'hésitez pas à appeler le service clientèle Snow Joe® + Sun Joe® au 1-866-SNOWJOE (1-866-766-9563) pour de l'aide.

Assemblage en mode aspiro/broyeur

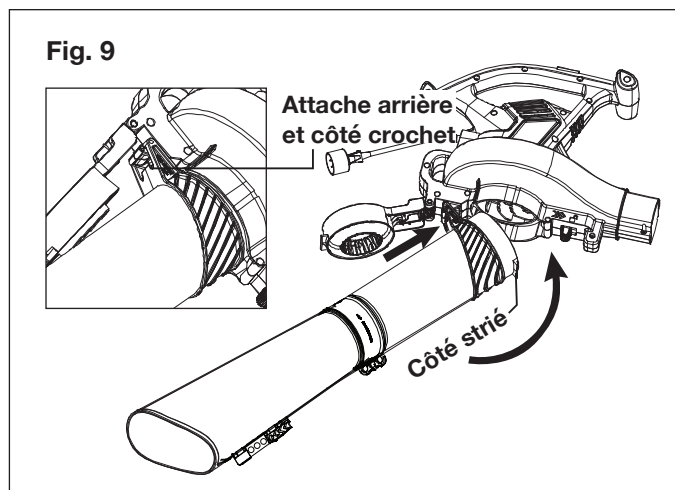
1. Faites glisser l'une dans l'autre les buses avant et arrière d'aspiration/broyage jusqu'à ce que le bouton de blocage s'enclenche (Fig. 7).



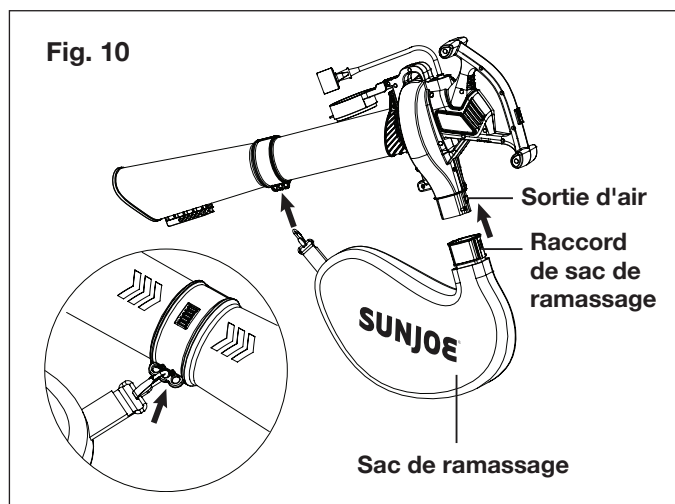
2. Faites glisser vers l'avant le bouton de verrouillage d'obturateur d'arrivée d'air pour ouvrir l'obturateur. Maintenez l'obturateur ouvert (Fig. 8).



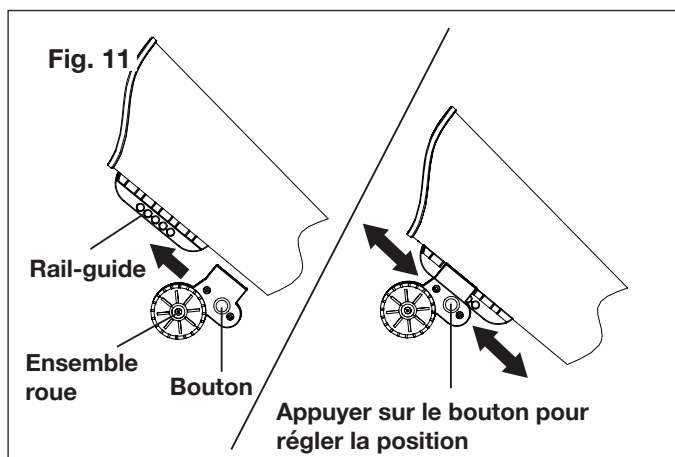
3. La buse de soufflage étant retirée du caisson moteur, insérez la partie terminale « à crochet » de la buse d'aspiration/broyage dans l'attache arrière sur la machine. Attachez bien la buse d'aspiration/broyage en poussant l'extrémité « striée » de la buse d'aspiration/broyage jusqu'à ce que le bouton de verrouillage s'enclenche en position de verrouillage (Fig. 9).



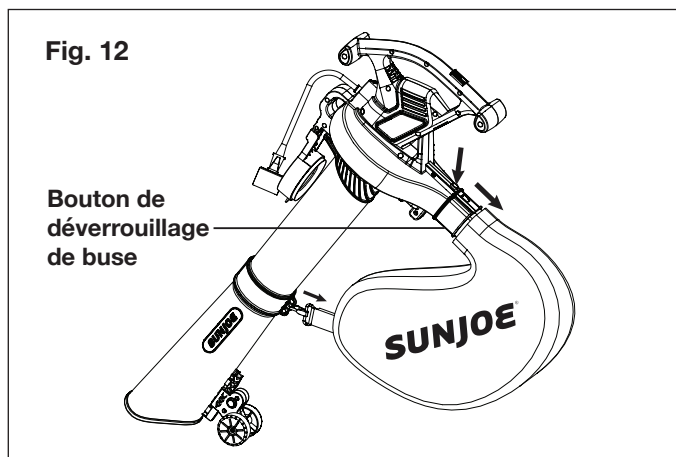
4. Insérez le raccord de sac de ramassage dans la sortie d'air du souffleur jusqu'à ce que le sac de ramassage soit solidement attaché (Fig. 10), puis utilisez l'attache-sac.



5. Appuyez sur le bouton sur l'ensemble roue, puis faites-le glisser sur le rail-guide. Réglez la position des roues en appuyant sur le bouton et en faisant glisser l'ensemble roue vers le haut ou vers le bas sur le rail-guide jusqu'à ce que la position voulue soit atteinte (Fig. 11).

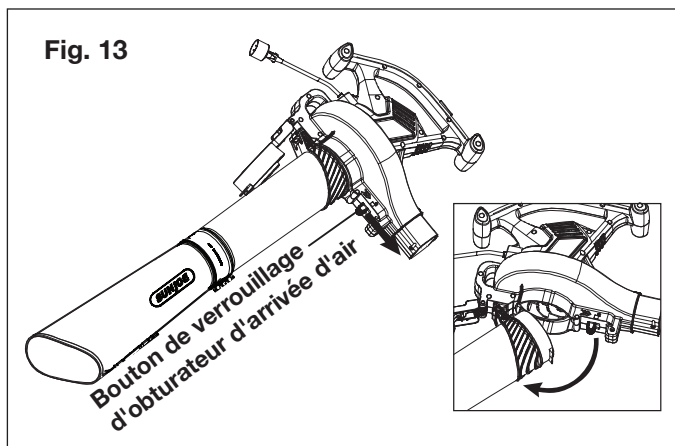


6. Pour retirer le sac, appuyez sur le bouton de déverrouillage de buse et faites glisser le sac pour le dégager de la machine. Retirez le sac de l'attache (Fig. 12).



7. Pour retirer l'ensemble buse d'aspiration/broyage, faites glisser le bouton de verrouillage d'obturateur d'arrivée d'air pour le déverrouiller, puis retirez l'ensemble buse du caisson moteur (Fig. 13).

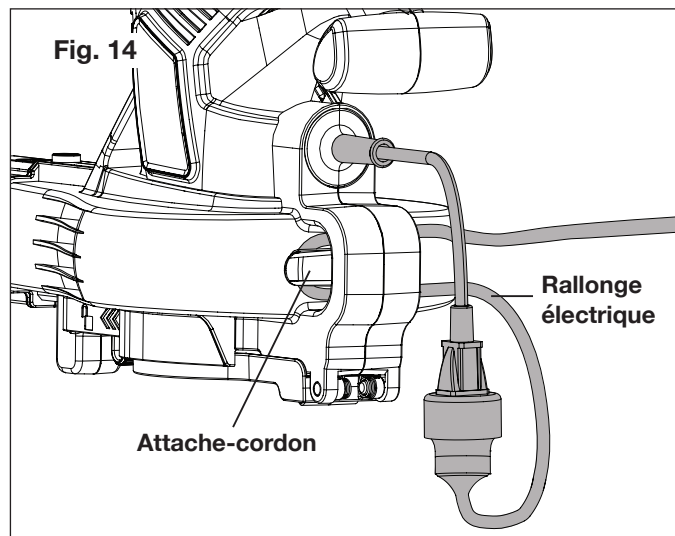
REMARQUE : pour déboucher une buse ou débloquer le rotor, il peut s'avérer nécessaire de retirer la buse de soufflage ou les buses d'aspiration/broyage. Avant d'essayer de déboucher la machine, assurez-vous de la débrancher de la source d'alimentation électrique.



Utilisation

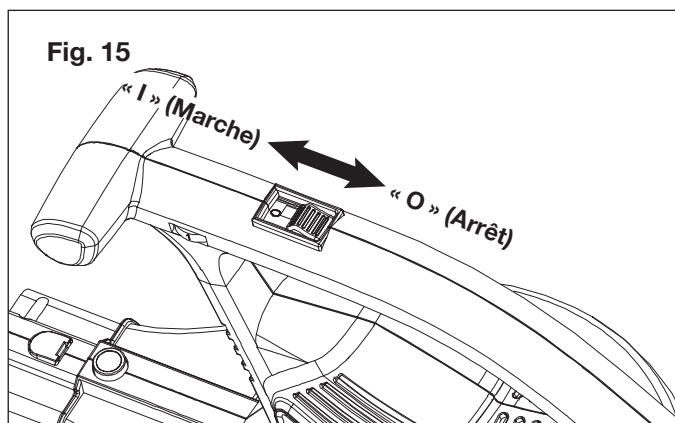
Branchement sur une source d'alimentation électrique

1. Attachez la rallonge électrique sur le caisson moteur en utilisant l'attache-cordon situé à l'arrière du souffleur. En attachant la rallonge électrique de cette manière, elle ne pourra pas se débrancher accidentellement du cordon d'alimentation pendant l'utilisation de la machine (Fig. 14).
2. Branchez la rallonge électrique dans le cordon de la machine (Fig. 14).



Démarrage et arrêt

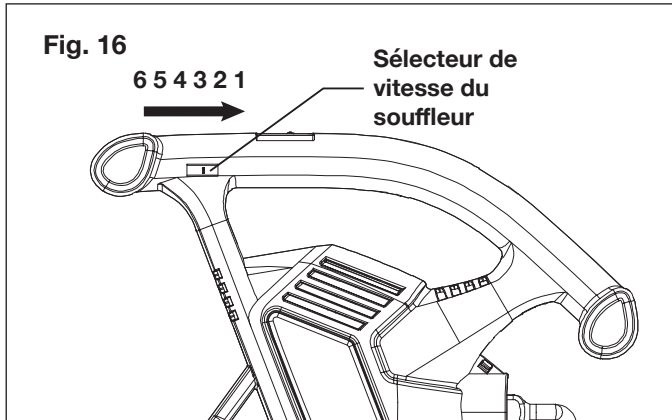
1. Pour démarrer le souffleur aspiro-broyeur électrique, faites glisser l'interrupteur sur la position « I » (Marche) (Fig. 15).
2. Pour arrêter la machine, faites glisser l'interrupteur marche-arrêt sur la position « O » (Arrêt) (Fig. 15).



Sélecteur de vitesse

Cette machine est équipée d'un sélecteur de six vitesses (de 1 à 6) (Fig. 16).

- Pour les vitesses LENTES, réglez le sélecteur de vitesse sur la position « 1 » ou « 2 ».
- Pour les vitesses INTERMÉDIAIRES, réglez le sélecteur de vitesse sur la position « 3 » ou « 4 ».
- Pour les vitesses ÉLEVÉES, réglez le sélecteur de vitesse sur la position « 5 » ou « 6 ».



Conseils d'utilisation

⚠️ AVERTISSEMENT! Utiliser le souffleur aspiro-broyeur uniquement à la lumière du jour ou sous un bon éclairage artificiel.

- Lors de l'utilisation du souffleur aspiro-broyeur, plantez fermement les pieds sur le sol et placez une main sur la poignée de la machine et l'autre sur la poignée auxiliaire.
- Portez un équipement de protection individuelle pendant les séances de travail. Autrement dit, des chaussures montantes, des lunettes de sécurité ou de protection, des protecteurs d'oreilles, un pantalon long et une chemise à manches longues.
- Quand vous utilisez la machine en mode aspiro-broyeur, assurez-vous que le sac est correctement attaché et que la fermeture à glissière est fermée.
- Avant de démarrer la machine, assurez-vous que l'extrémité de la buse de soufflage n'est pas dirigée vers une personne ou des débris épars.
- Vérifiez que la machine est bon état de marche. Assurez-vous que la buse et les dispositifs de protection sont en place et bien attachés.
- Assurez-vous que l'obturateur d'arrivée d'air d'aspiration/broyage est bien fermé et verrouillé.
- Maintenez une prise ferme sur les deux poignées avant et arrière.
- Pour réduire le risque de pertes auditives associées aux niveaux sonores élevés, une protection de l'ouïe est nécessaire.
- Utilisez ce souffleur aspiro-broyeur ou tout autre outil ou machine électrique à des heures raisonnables. Évitez de l'utiliser tôt le matin ou tard le soir quand des personnes pourraient être dérangées. Conformez-vous aux horaires faisant l'objet d'ordonnances locales. Il est habituellement préconisé d'utiliser ce type de machines de 9 h à 17 h, du lundi au samedi.
- Pour réduire le niveau sonore, limitez le nombre d'outils ou de machines électriques utilisés en même temps et utilisez les souffleurs électriques à la vitesse la plus basse possible convenant à la tâche à effectuer.

- Utilisez un râteau et un balai pour clairsemer les débris avant de les souffler.
- Quand il y a beaucoup de poussière, mouillez légèrement le sol.
- Économisez de l'eau en utilisant un souffleur électrique au lieu d'un boyau d'arrosage pour de nombreux travaux sur les pelouses et dans les jardins, par exemple les caniveaux, les grillages, les patios, les grilles, les porches et les jardins.
- Soufflez les débris dans une zone dégagée ne présentant aucun danger et éloignée des enfants, des animaux familiers, des fenêtres ouvertes ou des voitures venant d'être lavées.
- Après avoir utilisé un souffleur à feuilles ou un autre matériel pour pelouses et jardins, nettoyez-le. Éliminez convenablement les débris.

⚠️ AVERTISSEMENT! Pour éviter de se blesser gravement, porter en permanence des protecteurs d'oreilles, des lunettes de protection ou de sécurité pendant l'utilisation de cette machine. Dans les endroits poussiéreux, porter un protecteur facial ou un la machine protecteur contre la poussière.

⚠️ AVERTISSEMENT! Pour éviter de se blesser gravement ou d'endommager la machine, avant de l'utiliser, s'assurer que la buse de soufflage, les buses de broyage et le sac de ramassage sont en place.

Ouvertures d'aération

Ne couvrez jamais les ouvertures d'aération. Maintenez-les exemptes d'obstructions et de débris. Pour que le moteur puisse se refroidir normalement, elles ne doivent jamais être obstruées.

⚠️ AVERTISSEMENT! Pour éviter de se blesser gravement, ne porter ni vêtements amples ni accessoires lâches, par exemple une écharpe, un cordon, une chaîne, une cravate, etc. qui pourraient se prendre dans les ouvertures d'aération.

Mode souffleur

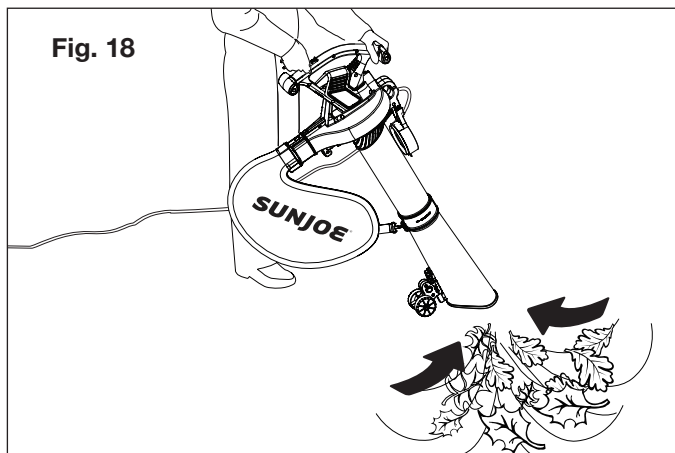
- Tenez fermement le souffleur d'une main sur la poignée principale, l'autre main sur la poignée auxiliaire. Balayez transversalement, la buse étant à plusieurs centimètres au-dessus du sol (Fig. 17).



- Avancez lentement avec le souffleur en maintenant devant vous le tas de débris en formation. La plupart des travaux de soufflage s'effectuent mieux à basse vitesse plutôt qu'à vitesse élevée. Le soufflage à vitesse élevée convient mieux pour déplacer des éléments plus lourds comme de gros débris ou du gravier.

Mode aspiro-broyeur

- Une fois que vous avez soufflé les débris et les feuilles pour former un tas, vous pouvez passer au mode aspiro-broyeur pour les ramasser.
- En tenant fermement la machine, inclinez les buses d'aspiration/broyage entre 5 et 10 cm du sol et ramassez les débris légers en imprimant à la machine un mouvement de balayage. Les débris seront aspirés dans le sac. Les petites feuilles et les brindilles seront broyées en passant à travers la soufflerie. Pour que le sac dure plus longtemps et que le rendement soit optimal, videz le sac fréquemment (Fig. 18).
- Passez facilement d'un tas de débris à l'autre en faisant glisser l'aspirateur/broyeur le long du sol en utilisant l'ensemble roue.



- Au fur et à mesure que le sac se remplit, la puissance d'aspiration diminue. Dès que ceci se produit, faites glisser l'interrupteur marche-arrêt sur la position « (O) » (Arrêt) et débranchez la machine de la source d'alimentation électrique. Retirez le sac et videz les débris.
- Pour retirer le sac, appuyez sur le bouton de déverrouillage (Fig. 12). Pour le vider, tenez la poignée en plastique et saisissez la poignée en nylon sous le sac. Retournez le sac, l'ouverture en bas, et secouez-le pour vider tous les débris et feuilles.

⚠ AVERTISSEMENT! Ne jamais retirer le sac de ramassage sans avoir d'abord appuyé sur l'interrupteur pour le mettre sur la position « O » (Arrêt) et débranché la machine de la source d'alimentation électrique.

⚠ AVERTISSEMENT! Ne pas utiliser le mode aspiro-broyeur sans que les buses d'aspiration et le sac de ramassage soient en place.

Déblocage d'une buse ou du rotor

⚠ AVERTISSEMENT! Pour éviter de se blesser gravement, avant de débloquer le rotor, s'assurer que le moteur est arrêté et que la machine est débranchée.

⚠ AVERTISSEMENT! Pour éviter de se blesser gravement, toujours porter des gants pour se protéger des lames du rotor ou d'autres objets tranchants.

Pendant le processus d'aspiration/broyage, certaines choses, par exemple un chiffon, de la ficelle ou de petits bâtons de gros diamètre, peuvent obstruer la soufflerie et bloquer le moteur. Un dispositif de protection thermique qui est intégré au souffleur aspiro-broyeur coupera l'alimentation électrique du moteur pour l'empêcher d'être endommagé en cas de surchauffe.

S'il y a une obstruction et si l'alimentation électrique est coupée :

1. Faites glisser l'interrupteur marche-arrêt sur la position « O » (Arrêt) et patientez jusqu'à ce que la machine s'arrête complètement.
2. Débranchez la machine.
3. Retirez la buse de soufflage ou les buses d'aspiration/broyage et le sac de ramassage.
4. En utilisant des gants de protection, retirez soigneusement ce qui bloque la buse ou le rotor. Inspectez les lames pour vous assurer qu'elles n'ont pas été endommagées. Faites tourner les lames du rotor à la main pour vous assurer que ce qui le bloquait a bien été retiré.
5. Remplacez la buse de soufflage ou les buses d'aspiration/broyage et le sac.
6. Patientez trois minutes pour laisser le moteur se refroidir.

7. Rebranchez la machine sur le secteur et faites glisser l'interrupteur marche-arrêt sur la position « I » (Marche). Le souffleur aspiro-broyeur fonctionnera à nouveau normalement.

Entretien

Pour commander des pièces de rechange ou des accessoires d'origine pour le souffleur aspiro-broyeur électrique Sun Joe® SBJ606E-GA, veuillez vous rendre sur le site sunjoe.com ou communiquer avec le service clientèle Snow Joe® + Sun Joe® au 1-866-SNOWJOE (1-866-766-9563).

⚠ AVERTISSEMENT! Débrancher la rallonge électrique avant d'effectuer la moindre tâche d'entretien.

Si la rallonge électrique est branchée dans la machine, quelqu'un pourrait accidentellement la mettre en marche pendant que vous intervenez dessus, ce qui pourrait entraîner de graves blessures.

Nettoyage de la machine

⚠ AVERTISSEMENT! Pour éviter de se blesser gravement, avant de nettoyer ou d'intervenir sur la machine, s'assurer qu'elle est arrêtée et débranchée.

Utilisez une petite brosse pour nettoyer l'extérieur de la machine. N'utilisez pas de détergents ou de produits nettoyants forts qui contiennent des huiles aromatiques (p. ex., pin et citron) ou de solvants puissants, par exemple le kérosène, car ces substances peuvent endommager le caisson en plastique ou les poignées. Essayez l'humidité à l'aide d'un chiffon doux et sec.

1. Videz le sac après chaque utilisation pour éviter les détériorations et l'obstruction du débit d'air qui réduisent le rendement de l'aspiro-broyeur.
2. Portez une protection oculaire et un masque protecteur contre la poussière. Au besoin, nettoyez le sac. Après l'avoir vidé, retournez le sac sur lui-même et secouez-le vigoureusement pour faire tomber toute la poussière et les débris restants.
3. Nettoyez le sac une fois par an, ou plus souvent si nécessaire. Suivez les étapes ci-dessous :
 - i. retirez le sac;
 - ii. retournez le sac sur lui-même;
 - iii. suspendez-le;
 - iv. lavez-le soigneusement au jet;
 - v. laissez-le suspendu pour qu'il sèche;
 - vi. retournez le sac sur lui-même et attachez-le à la machine.

Remisage

1. Examinez minutieusement le souffleur aspiro-broyeur électrique pour vérifier qu'il n'y a pas de pièces usées, desserrées ou endommagées. Si vous devez faire réparer ou remplacer une pièce, communiquez avec votre revendeur Snow Joe® + Sun Joe® ou appeler le service à la clientèle Snow Joe® + Sun Joe® au 1-866-SNOWJOE (1-866-766-9563) pour de l'aide.
2. Examinez minutieusement la rallonge électrique pour vérifier qu'elle ne présente aucun signe d'usure excessive ou d'endommagement. Si elle est usée ou endommagée, remplacez-la immédiatement.
3. Débranchez la rallonge électrique du souffleur aspiro-broyeur électrique avant de le remisage.
4. Rangez la rallonge avec le souffleur aspiro-broyeur électrique, à l'intérieur dans un endroit frais, sec et sous clé, hors de portée des enfants et des animaux.

REMARQUE : au cas où vous souhaiteriez en acheter, des dispositifs de retenue pour rallonges électriques sont offerts dans le commerce.

Entretien, réparations et assistance technique

Si votre souffleur aspiro-broyeur électrique Sun Joe® SBJ606E-GA nécessite une réparation ou un entretien, veuillez appeler le service clientèle Snow Joe® + Sun Joe® au 1-866-SNOWJOE (1-866-766-9563).

Numéros de modèle et de série

Lorsque vous communiquez avec l'entreprise pour commander des pièces ou prendre rendez-vous pour une intervention technique chez un revendeur agréé, vous devez fournir les numéros de modèle et de série qui se trouvent sur l'étiquette autocollante apposée sur le caisson de la machine. Copiez ces numéros dans l'espace réservé ci-dessous.

Veillez noter les numéros suivants sur le caisson ou la poignée de votre nouvelle machine :	
N° de modèle :	
S B J 6 0 6 E - G A	
N° de série :	

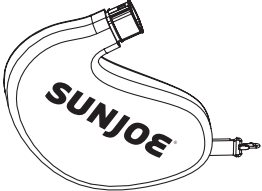
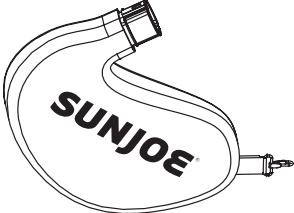
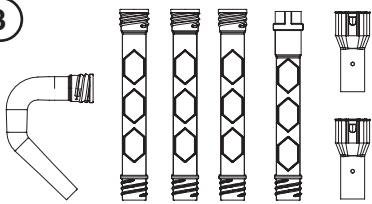
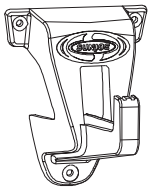
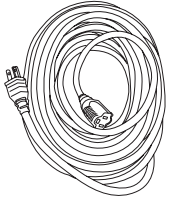
Dépannage

⚠️ AVERTISSEMENT! Toujours débrancher le cordon d'alimentation avant d'effectuer un réglage quelconque, de l'entretien ou des réparations sur votre souffleur aspiro-broyeur électrique.

Problème	Cause possible	Solution
La machine ne veut pas démarrer ou broyer	<ol style="list-style-type: none">1. Sac plein2. Tube bloqué3. Rotor bloqué4. Sac sale5. Sac déchiré6. Fermeture à glissière du sac ouverte7. Machine débranchée	<ol style="list-style-type: none">1. Videz le sac.2. Retirez ce qui obstrue.3. Retirez ce qui obstrue.4. Nettoyez le sac.5. Remplacez le sac.6. Fermez la fermeture à glissière du sac.7. Branchez dans une source d'alimentation électrique ou une rallonge électrique.
La machine ne veut pas démarrer	<ol style="list-style-type: none">1. La machine est débranchée.2. L'interrupteur marche-arrêt est sur la position « (O) » (Arrêt).3. Interrupteur marche-arrêt défectueux.4. Les tubes d'aspiration ne sont pas correctement montés.5. L'obturateur d'arrivée d'air n'est pas fermé.6. Le circuit électrique de la maison a peut-être disjoncté.	<ol style="list-style-type: none">1. Vérifiez si la rallonge électrique est bien branchée dans une prise électrique.2. Faites glisser l'interrupteur marche-arrêt pour le mettre sur la position « (I) » (Marche) et choisissez la vitesse voulue à l'aide du sélecteur de vitesse.3. Appelez le service clientèle Snow Joe® + Sun Joe® au 1-866-SNOWJOE (1-866-766-9563).4. Vérifiez les tubes d'aspiration et assurez-vous qu'ils sont correctement assemblés pour que l'interrupteur puisse être manœuvré.5. Assurez-vous que l'obturateur d'arrivée d'air est bien fermé et verrouillé.6. Vérifiez le panneau à disjoncteurs du secteur et réarmez au besoin.

Accessoires en option

⚠️ AVERTISSEMENT! TOUJOURS utiliser des pièces de rechange et des accessoires Snow Joe® + Sun Joe® homologués. NE JAMAIS utiliser des pièces ou des accessoires qui ne sont pas destinés à être utilisés avec ce souffleur aspiro-broyeur électrique. Si vous n'êtes pas sûr que l'utilisation d'une pièce de rechange ou d'un accessoire particulier avec votre souffleur aspiro-broyeur électrique soit sans danger, communiquez avec Snow Joe® + Sun Joe®. L'utilisation de tout autre accessoire ou de toute autre pièce détachée peut être dangereuse et pourrait provoquer des dommages corporels ou mécaniques.

Accessoires	Description	Modèle
<p>①</p> 	<p>Sac de ramassage de 45 l</p>	<p>SBJ603E-BAG (pour utilisation avec les modèles de souffleur aspiro-broyeur SBJ603E, SBJ605E et SBJ606E-GA)</p>
<p>②</p> 	<p>Sac de ramassage de 68 l</p>	<p>SBJ605E-BAG18 (pour utilisation avec les modèles de souffleur aspiro-broyeur SBJ603E, SBJ605E et SBJ606E-GA)</p>
<p>③</p> 	<p>Ensemble d'accessoires de nettoyage de gouttière</p>	<p>SBJ6-GA (compatible avec la compris les modèles de souffleur aspiro-broyeur SBJ601E, SBJ603E, SBJ605E, SBJ606E+GA et iONBV)</p>
<p>④</p> 	<p>Support mural universel avec boulonnerie de fixation</p>	<p>SJWB (compatible avec la plupart des outils et machines Snow Joe® + Sun Joe®)</p>
<p>⑤</p> 	<p>Rallonge électrique 15 m de calibre 14 Snow Joe® + Sun Joe® SJTW-A dont les extrémités s'éclairent quand elle est sous tension.</p>	<p>PJEXT50-B</p>

REMARQUE : les accessoires sont sous réserve de changements sans que Snow Joe® + Sun Joe® soit pour autant tenue de donner un préavis desdits changements. Les accessoires peuvent être commandés en ligne sur le site sunjoe.com ou par téléphone en appelant le service clientèle Snow Joe® + Sun Joe® au 1-866-SNOWJOE (1-866-766-9563).



LA PROMESSE DE SNOW JOE® + SUN JOE® À SES CLIENTS

Vous êtes notre client et Snow Joe, LLC (« Snow Joe ») **SE MET EN QUATRE** pour vous servir. Nous nous efforçons de vous rendre l'utilisation de nos produits aussi plaisante que possible. Malheureusement, il peut arriver qu'un produit Snow Joe®, Sun Joe® ou Aqua Joe (« Produit ») ne fonctionne pas ou se casse dans des conditions d'utilisation normales. Nous pensons qu'il est important que vous sachiez ce que vous pouvez attendre de nous. C'est pourquoi nous avons une garantie limitée (« Garantie ») pour nos Produits.

NOTRE GARANTIE :

Snow Joe déclare et garantit que les Produits neufs, d'origine, électriques ou non électriques sont exempts de vices de matière ou de fabrication et, lorsqu'ils font l'objet d'une utilisation résidentielle et ménagère ordinaire, les garantit pendant une période de deux ans à compter de la date d'achat au détail par l'acheteur primitif auprès de Snow Joe ou d'un des revendeurs agréés de Snow Joe, preuve d'achat à l'appui. Étant donné que Snow Joe ne peut pas contrôler la qualité de ses Produits vendus par des revendeurs non agréés, sauf stipulation contraire de la loi, la présente Garantie ne couvre pas les Produits achetés auprès de vendeurs non agréés. Si votre Produit ne fonctionne pas ou si une pièce spécifique couverte par les modalités de la présente Garantie fait l'objet d'un problème quelconque, Snow Joe choisira (1) de vous envoyer une pièce de rechange gratuite, (2) de remplacer le Produit par un produit neuf ou comparable, gratuitement, ou (3) de réparer le Produit. Génial, n'est-ce pas?

La présente Garantie vous donne des droits judiciaires spécifiques, et vous pouvez également avoir d'autres droits qui peuvent varier d'une province ou d'un territoire à l'autre.

ENREGISTREMENT DU PRODUIT :

Snow Joe vous recommande vivement d'enregistrer votre Produit. Vous pouvez l'enregistrer en ligne sur le site snowjoe.com/register, ou en imprimant et en envoyant par courrier une carte d'enregistrement offerte en ligne sur notre site Web, ou par téléphone en appelant notre Service à la clientèle au **1-866-SNOWJOE (1-866-766-9563)**, ou encore en nous envoyant un courriel à l'adresse help@snowjoe.com. Le fait de ne pas enregistrer l'achat de votre Produit n'a aucune conséquence sur vos droits concernant la garantie. Toutefois, l'enregistrement de votre Produit permettra à Snow Joe de mieux répondre au moindre besoin que vous pourriez avoir en matière de service à la clientèle.

QUI PEUT REVENDIQUER LA COUVERTURE DE LA GARANTIE?

La présente Garantie est étendue par Snow Joe à l'acheteur et propriétaire primitif du Produit.

QU'EST-CE QUI N'EST PAS COUVERT?

La présente Garantie ne s'applique pas si le Produit a été utilisé commercialement, pour des travaux non résidentiels ou s'il fait l'objet d'une location. La présente Garantie ne s'applique pas non plus si le Produit a été acheté auprès d'un revendeur non agréé. La présente garantie ne couvre pas non plus les changements cosmétiques qui n'affectent pas le rendement. Les pièces d'usure comme les courroies, les tarières, les chaînes et les dents ne sont pas couvertes au titre de la présente Garantie et peuvent être achetées en ligne sur le site snowjoe.com ou en appelant le **1-866-SNOWJOE (1-866-766-9563)**.





sunjoe.com