



# Whitehaven® Self-Trimming®

## Under-mount Self-trimming Apron Front Sink

### K-5827

#### Features

- Fits minimum 33-inch apron sink base cabinet.
- Single bowl.
- 9-inch depth.
- Self-Trimming apron overlaps the cabinet face for easy installation and beautiful results.
- No faucet holes.
- Basin slopes 2 degrees toward drain to minimize water pooling.
- Offset drain increases workspace in the sink and storage space underneath.
- Includes cutout templates.

#### Material

- KOHLER® enameled cast iron.

#### Installation

- Under-mount apron-front.

#### Recommended Accessories

K- 9000 P-Trap

#### Optional Accessories

K- 6449 Sink Rack

K- 8801 Sink Strainer

#### Components

Additional included component/s: Countertop cutout template, and Cabinet face cutout template.

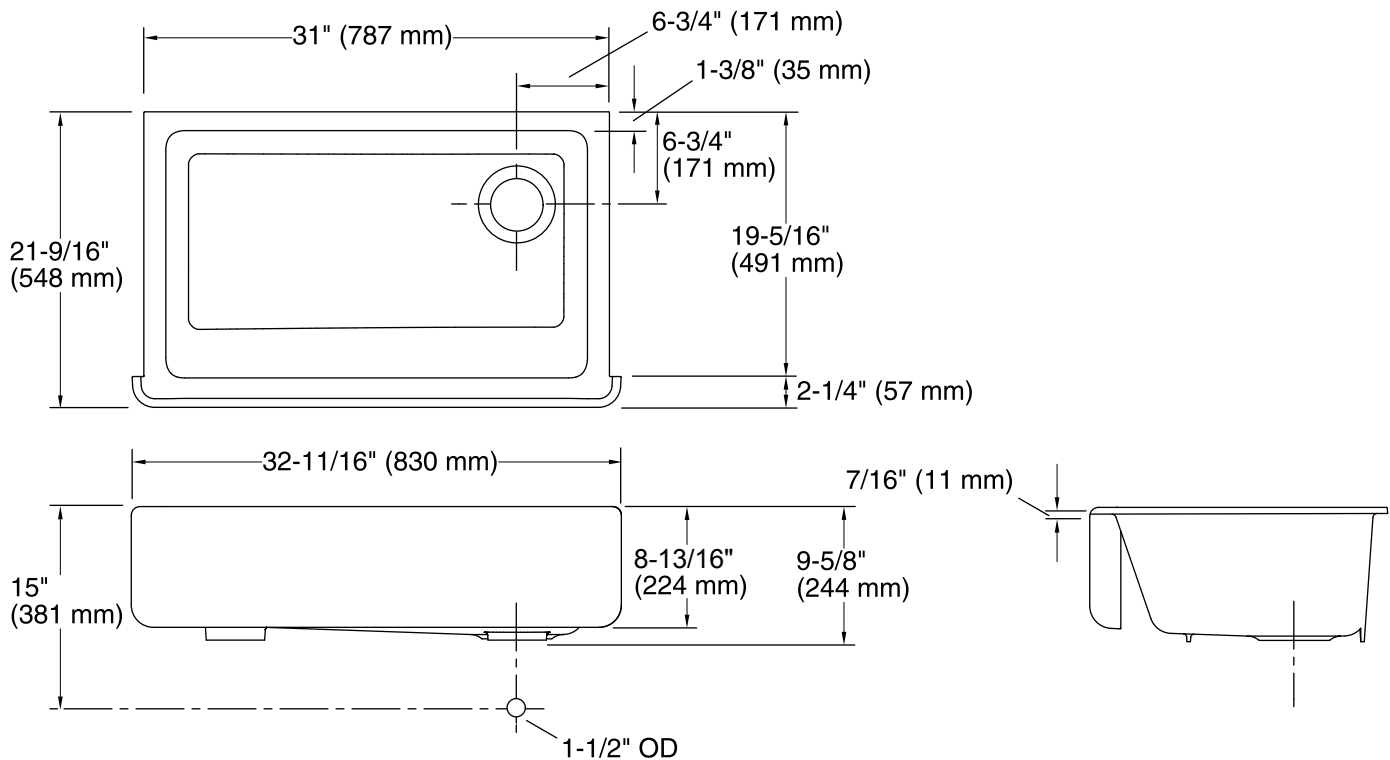


#### Codes/Standards

ASME A112.19.1/CSA B45.2

#### Kohler Enameled Cast Iron Kitchen Sink - Lifetime Limited Warranty

See website for detailed warranty information.



### Technical Information

All product dimensions are nominal.

Bowl configuration:	Single
Installation:	Under-mount
Min. base cabinet width:	33" (838 mm)
Bowl area	Length: 27-3/4" (705 mm) Width: 18-1/16" (459 mm) Bowl depth: 8-13/16" (224 mm) Water depth: 9" (229 mm)
Drain hole:	3-5/8" (92 mm)
Template:	Apron Front, 1214395-7, not required, not included Apron Front, 1217812, required, included

### Notes

Install this product according to the installation guide.

**NOTICE:** Countertop manufacturer or cutter must use the current product template available at [www.kohler.com](http://www.kohler.com), or by calling 1-800-4KOHLER. Kohler Co. is not responsible for cutout errors when the incorrect cutout template is used.

**IMPORTANT!** The distance from the top edge of the cabinet to the top of the cabinet door must be at least 9" (229 mm) to install this sink.