

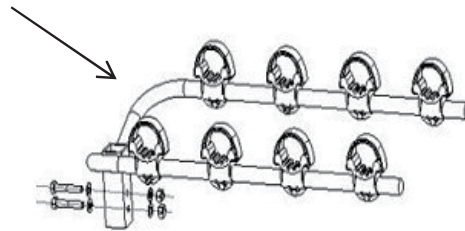
4 - BIKE HITCH MOUNT CARRIER

Hardware:

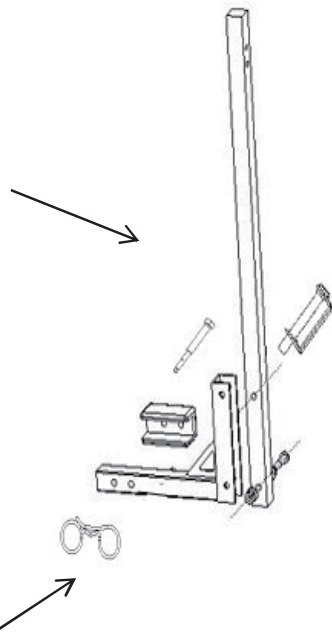
1 Piece	1 Piece	3 Pieces	6 Pieces	1 Piece	1 Piece	1 Piece	1 Piece	1 Piece

Installation Guide:

Ribbed plastic bike-frame rests and durable nylon velcro straps ensure your bicycle will stay secure during travel



Remove the locking pin and the carrier folds up and down for easy access to the back of your vehicles pick up or hatch



Ribbed plastic bike-frame rests slide up and down the length of the carrier to allow you to put your bike where you need to

DO NOT EXCEED 132 LB. CAPACITY

Hitch mounting available for class I, II, III, and IV hitches. Locks in tight with the pinch pull system