

Features

- Two-stage filtration and absorption system.
- Reduces Chlorine Taste & Odor, Chloramine, Particulate Class I, Lead, Asbestos, Cyst, Mercury, Turbidity, and select Pharmaceuticals. See Performance Data Sheet for individual contaminants and reduction performance.
- Includes K-77688 2 pack replacement cartridges.
- Available recycling program of used cartridges, reducing solid waste to landfills.
- Filter head automatically turns off the water supply when cartridge is removed.
- 1.70 gpm (gallons per minute) maximum flow rate at 60 psi.
- Eco-friendly coconut shell based carbon filters.
- Recommended use with the Wellspring® beverage and Carafe® kitchen faucets.

Material

- High-impact plastic construction.

Installation

- Quarter turn twist cartridge replacement for easy install and replacement.

Recommended Accessories

K-77688 Replacement Filter Cartridges, Two-Pack

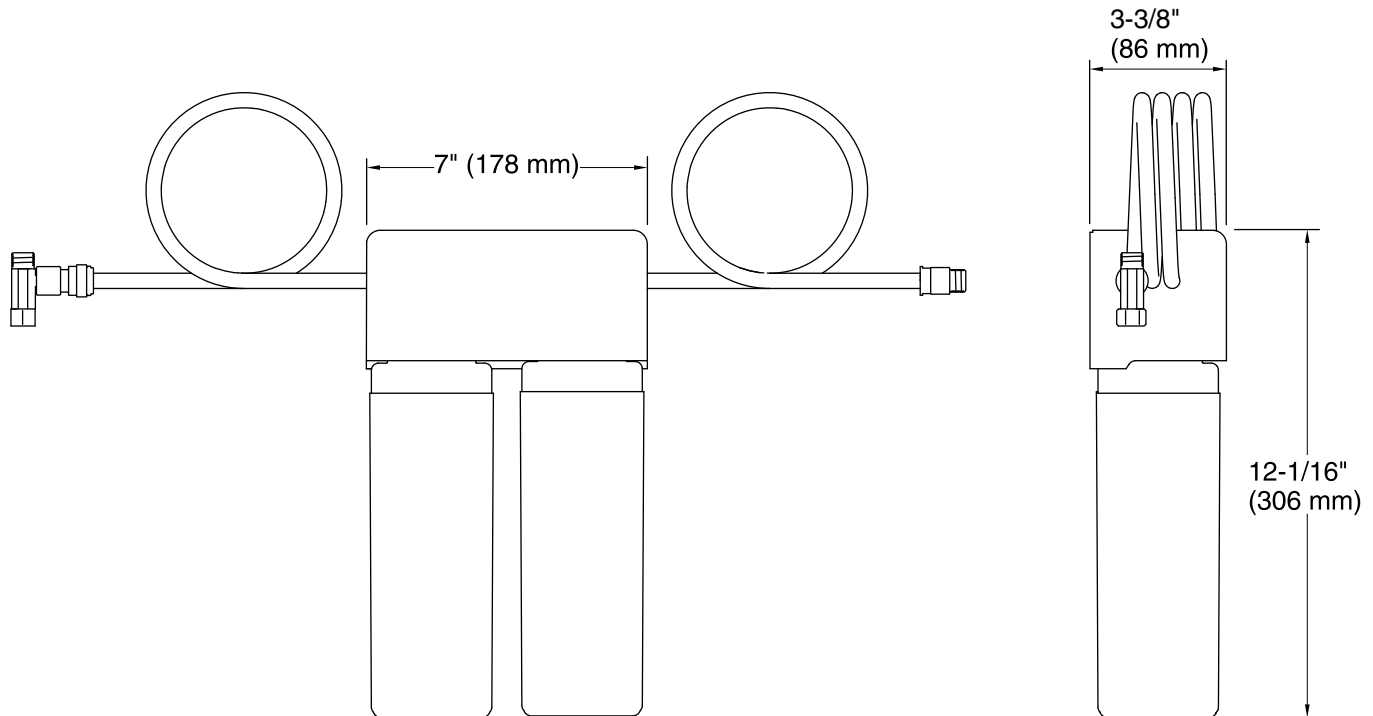
Loose component/s: Tee, Inlet Adapter, Outlet Adapter, Inlet Tube, and Outlet Tube.



Codes/Standards

CSA B483.1
NSF 42
NSF 53
NSF 401

See website for detailed warranty information.



Technical Information

All product dimensions are nominal.

Faucet:

Flow rate: 1.7 gal/min (6.4 l/min)

Pressure: 60 psi (4.1 bar)

Notes

Install this product according to the installation guide.

To prevent the risk of property damage, protect from freezing.

For cold water use only.

To ensure the filter continues to reduce contaminants effectively, it is recommended that the filter gets replaced every 6 months.

Application guideline/water supply parameters:
Water Pressure: 40-120 psi (276-827 kPa) Water
Temperature: 33-100°F (0.5-37.8°C) Capacity:
778 gal (2,945 L)