

Assembly Instruction for Framed Wall Cabinet



- 1) Lay the face frame (Part G) on a flat clean surface. Run a bead of wood glue in all dado. Do the same for the side panels (Part A and C).
- 2) There are two methods to assemble the box.
 - a. The brackets that are supplied can be used to attach the side panels to the top and the bottom panel (Part D and F) and the face frame.
 - b. Use a 1/4 inch crown by 5/8 inch long staples and staple the side panel/face frame joint together.
- 3) Insert part D and F into the dado on the top and bottom of the box.
- 4) Run a bead of glue on the expose edge of the box.
- 5) Place the back panel (Part B) on the box. Make sure all parts fit into the dado. There are predrilled holes on the back panel where provided screws can be used to secure the back to the top and bottom panel.
- 6) Install shelf pins to desired height. Place shelves (part E) onto the shelf pins.
- 7) Attach hinges to the doors (Part H). Position doors to desired position on the cabinet and attach to the face frame with screws.

Assembly Instruction For Framed Base Cabinet



1) Lay the face frame (part F) on a flat clean surface. Run a bead of wood glue in all dado. Do the same for the side panels (Part A and C).

2) There are two methods to assemble the box.

a. The brackets that are supplied can be used to attach the side panels to the face frame.

b. Use a 1/4 inch crown by 5/8 inch long staples and staple the side panel/face frame joint together.

3) Slide the bottom panel (Part H) into the bottom dado and use the square

L-brackets to attach the bottom panel to the frame and side panels.

4) Slide the back panel (Part B) into the back dado. Use the square L-brackets to attach the bottom panel and the back panel underneath. Use the long L-brackets to attach the back panel to the side panel near the top of the box.

5) Install the plastic L-brackets to the pre drill holes on the back panel. Slide the drawer slides into place and secure by screwing the front part down to the face frame. Slide the drawers into place on the slide.

6) Attach the doors (Part E) to the face frame using the face frame hinges provided. Adjust as necessary using the adjustment screws.

7) Attach toe kick plate (Part M) with square L-brackets.

8) Position the shelf pins to the desired height and place shelf (Part G) on top of the shelf pins.

Assembly Instruction For Solid wood Drawer Box



1) Begin by opening the box and laying all the pieces out on a clean, flat surface. Check to make sure all contents are in the box (hardware will be packaged separately in its own plastic bag).

2) Wood glue should be used in all dado and dovetail connections.

3) Attach the back side of part K to part I. A rubber mallet can be used. Make sure the dado part of each piece is facing inward.

- 4) Attach the back side of part L to part I.
- 5) Slide part J (finish side up) into the dado of the three previously assembled parts.
- 6) Attach the drawer front to the front of the drawer box by positioning the dovetail and hammering all parts together. Note: Part I-1 and D is preassembled at the factory.
- 7) Brad nails can be used to secure the drawer box.
- 8) The quick release clips are attached to the bottom of the drawer to part I-1. 2 screws are used for each clip.

Assembly Instruction For Frameless Wall Cabinet



1) Begin by opening the box and laying all the pieces out on a clean, flat surface. Check to make sure all content are in the box (hinges and shelf pins will be packaged separately in its own plastic bags).

2) Wood glue is to be used on each dowel and dado.

3) Lay part A on its side with dado and predrill holes facing up.

4) Attach part E and G by inserting dowels into the predrilled holes on part A. Make sure the dowels are push in all the way. Dado on all

parts should be facing inward and aligned with each other.

5) Slide part B (finish side inward) into the dado.

6) Attach part C to the opposite side of Part E and G. Brad nails are to be used to secure the box together.

7) Attach the hinge to the door (Part D).

8) Aligned the door to the desired position on the box and use the screws provided to secure the hinge to the box.

9) Position the shelf pins to the desired height and place shelf (Part F) on top of the shelf pins.

10) Final door adjustment can be made by adjusting the positioning screws on the hinge.

Assembly Instruction For Frameless Base Cabinet



1) Begin by opening the box and laying all the pieces out on a clean, flat surface. Check to make sure all content are in the box (hinges and shelf pins will be packaged separately in its own plastic bags).

2) Lay the left side panel (Part A) down with dado and predrill holes facing up. Apply wood glue to predrill holes for dowels and dado.

3) Attach the two bridge boards (Part F) and the bottom panel (Part H) into the predrill holes with the laminate facing out.

4) Attach the right panel (Part C) by aligning the two cross pieces and the bottom panel into the predrill holes. Attach using brad nails and nailing the pieces together.

5) Slide the back piece (Part B) into the dado. Use the long L-bracket to attach the back panel to the side panels.

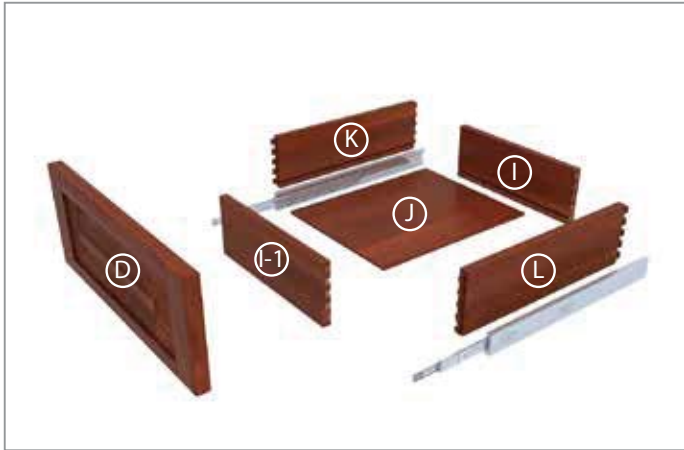
6) Attach the drawer slides to the side panels using the predrill holes as guides. Attach the drawer box to the slides using the predrill holes as guides.

7) Attach the doors (Part E) using the hinges that are supplied. Make adjustment using the adjustable screws on the hinge.

8) Attach the toe kick (Part M) by using the brad nails.

9) Position the shelf pins to the desired height and place shelf (Part G) on top of the shelf pins.

Assembly Instruction For Plywood Drawer Box



- 1) Begin by opening the box and laying all the pieces out on a clean, flat surface. Check to make sure all contents are in the box (hardware will be packaged separately in its own plastic bag).
- 2) Make note which side is the front and the back for part K and L. The side of each piece has predrilled holes for the drawer slides. The side closest to the hole is the front side.

3) Wood glue should be used in all dado

and dovetail connections.

4) Attach the back side of part K to part I. A rubber mallet can be used. Make sure the dado part of each piece is facing inward.

5) Attach the back side of part L to part I.

6) Slide part J (finish side up) into the dado of the three previously assembled parts.

7) Attach the drawer front (Part D) to the front of the drawer box (Part I-1) by positioning the dovetail and hammering all parts together.

8) Brad nails can be used to secure the drawer box.

Assembly Instruction For Metal Drawer Box

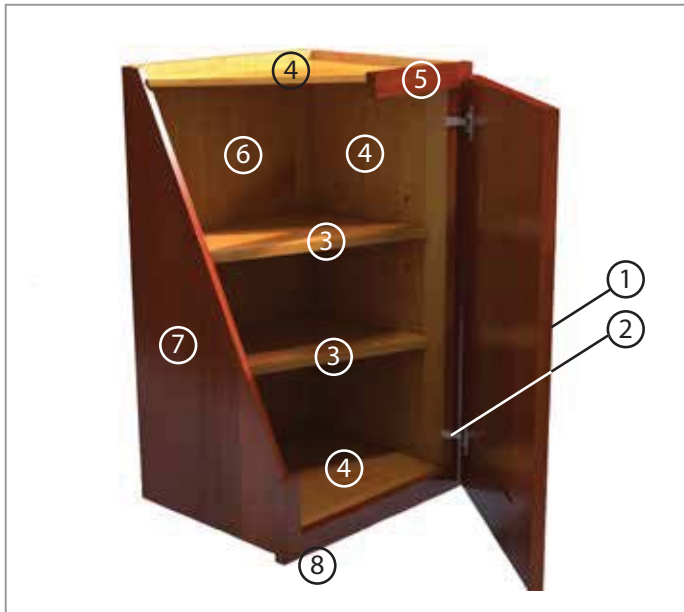


- 1) Begin by opening the box and laying all the pieces out on a clean, flat surface. Check to make sure all contents are in the box (hardware will be packaged separately in its own box).
- 2) Take part J (finish side up) and slide into the dado of part K.
- 3) Slide the opposite side of part J into the dado of part L.
- 4) Slide part I onto the slots on the back of part J and L. Use screws provided to secure part I to part K and L. 4 screws each.
- 5) Insert the drawer mount attachment

into the corresponding hole on part D.

- 6) Insert drawer front onto the front of the assembled drawer box. Lock the drawer front with the box by using the screws on each side panel.
- 7) For larger drawer boxes, insert rod attachment to the drawer front. The back end of the rod will snap in place in the designated slot. Slide plastic tube to cover connection on the front end.
- 8) Final adjustment can be made once the drawer is installed to the cabinet using the screws on each slide.

Construction Specification For Frame Wall Cabinet



1) Full Overlay Door with 1/8 inch reveal. (Full overlay door requires the use of knobs or pulls). Doors are 5-piece construction. Top, bottom, and side rails are solid maple. Stained raise panel center piece are solid maple. Painted and/or shaker style doors have MDF center panel with a wood veneer. Maple is an exceptionally hard, finely grained wood species with a fine even texture. Darker stains will moderate the color variance. Lighter stains will mellow with golden hues over time. Features described below are typical and not considered defects:

- Creamy white to light blonde tones to dark reddish brown tones
- Small mineral streaks of light blonde or reddish brown that darken with stain
- Wavy, curly bird's-eye, or burl graining as well as worm tracking across the grain that will darken when stained.
- Variations within a single door.

2) 6-way adjustable full overlay hinge. All steel construction with nickel plated finish. Self-closing feature allows door to close unassisted when approximately 10-15 degrees open. Hinge allows less than 3/16" frame to door gap. Hinge allows an in/out adjustment of 1/16". Up/down adjustment of 1/4" and side to side adjustment of 3/16". Hinge permits door to open approximately 107 degrees.

3) 2-3 adjustable shelves made of 3/4" inch plywood with edge banding facing out. Shelf rest on 1/4" steel, nickel plated metal pins.

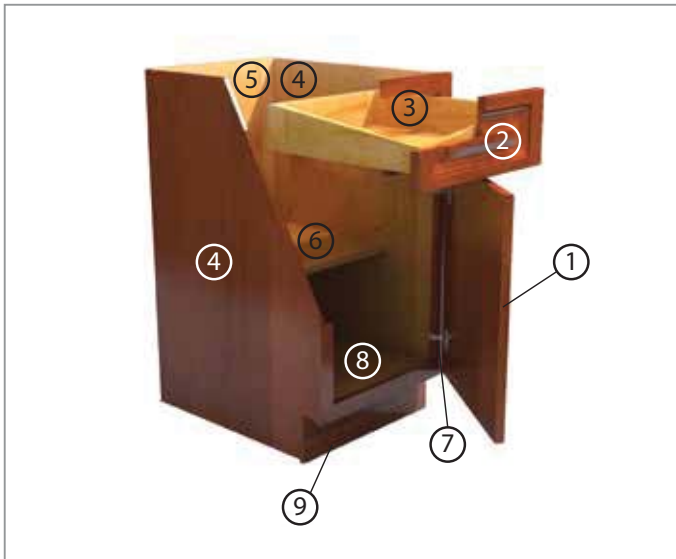
4) Side panels are 1/2" plywood. Outside finish matches closely with the door. Perfect match is not guaranteed. Interior has natural maple finish.

5) Face frame made of solid maple, 1 5/8" x 3/4" inch.

6) Back panel is 1/4" inch thick with 1/2" x 2 3/8" inch bordering frame around the perimeter of the panel for added support, natural maple finish on the interior.

7) Top and bottom panels are 1/2" plywood with natural maple finish on the interior and exterior.

Construction Specifications For Framed Base Cabinet



1) Full Overlay Door with 1/8 inch reveal. (Full overlay door requires the use of knobs or pulls). Doors are 5-piece construction. Top, bottom, and side rails are solid maple. Stained raise panel center piece are solid maple. Painted and/or shaker style doors have MDF center panel with a wood veneer. Maple is an exceptionally hard, finely grained wood species with a fine even texture. Darker stains will moderate the color variance. Lighter stains will mellow with golden hues over time. Features described below are typical and not considered defects:

- Creamy white to light blonde tones to dark reddish brown tones

- Small mineral streaks of light blonde or reddish brown that darken with stain.
 - Wavy, curly bird's-eye, or burl graining as well as worm tracking across the grain that will darken when stained.
 - Variations within a single door.
- 2) Same as the door. For shaker style, drawer will be slab fronts.
- 3) Drawer box is constructed of 3/4" solid maple. The bottom panel is 1/4" thick. Dovetail connection are used for the corners. Soft-closing undermount slides.
- 4) Side panels are 1/2" plywood. Outside finish matches closely with the door. Perfect match is not guaranteed. Interior has natural maple finish.
- 5) Back panel is 1/4" inch thick with 1/2" x 2 3/8" inch bordering frame around the perimeter of the panel for added support, natural maple finish on the interior.
- 6) One adjustable shelf made of 3/4" inch plywood with edge banding facing out. Shelf rest on 1/4" steel, nickel plated metal pins.
- 7) 6-way adjustable full overlay hinge. All steel construction with nickel plated finish. Self-closing feature allows door to close unassisted when approximately 10-15 degrees open. Hinge allows less than 3/16" frame to door gap. Hinge allows an in/out adjustment of 1/16". Up/down adjustment of 1/4" and side to side adjustment of 3/16". Hinge permits door to open approximately 107 degrees.
- 8) Bottom panels are 1/2" plywood with natural maple finish on the interior.
- 9) Toe kick is made of 3/4" plywood with finish side facing out.

Construction Specification For Frameless Wall Cabinets



1) Full Overlay Door with 1/8 inch reveal. (Full overlay door requires the use of knobs or pulls). Doors are 5-piece construction. Top, bottom, and side rails are solid maple. Stained raise panel center piece are solid maple. Painted and/or shaker style doors have MDF center panel with a wood veneer.

Maple is an exceptionally hard, finely grained wood species with a fine even texture. Darker stains will moderate the color variance. Lighter stains will mellow with golden hues over time. Features described below are typical and not con-

sidered defects:

- Creamy white to light blonde tones to dark reddish brown tones
- Small mineral streaks of light blonde or reddish brown that darken with stain
- Wavy, curly bird's-eye, or burl graining as well as worm tracking across the grain that will darken when stained.
- Variations within a single door.

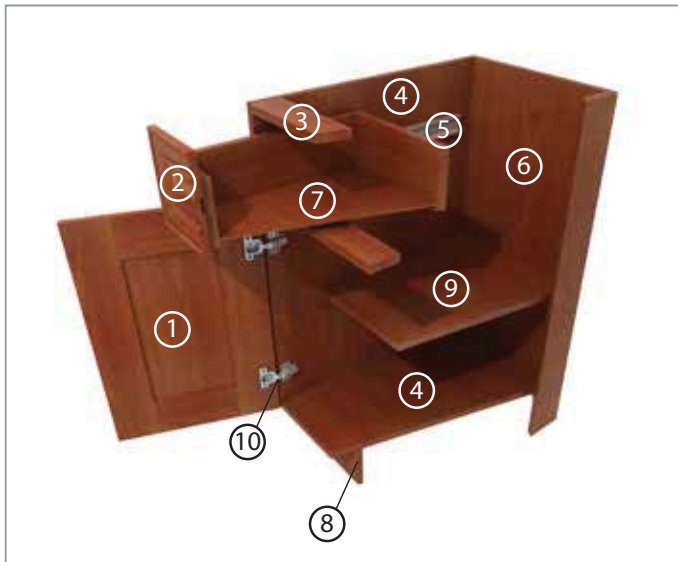
2) Top, side, and bottom panels are made of 3/4 inch plywood with edge banding on expose edges. All expose surfaces (excluding edges) are stain/painted to match as closely as possible with the doors. Perfect match is not guaranteed.

3) Back panel is 1/4" inch thick with 1/2" x 2 3/8" inch bordering frame around the perimeter of the panel for added support. Set into dado of top, bottom, and side panels.

4) 2-3 adjustable shelves made of 3/4" inch plywood with edge banding facing out. Shelf rest on 1/4" steel, nickel plated metal pins.

5) 6-way adjustable full overlay hinge. All steel construction with nickel plated finish. Self-closing feature allows door to close unassisted when approximately 10-15 degrees open. Hinge allows less than 3/16" frame to door gap. Hinge allows an in/out adjustment of 1/16". Up/down adjustment of 1/4" and side to side adjustment of 3/16". Hinge permits door to open approximately 107 degrees.

Construction Specification For Frameless Base Cabinet



1) Full Overlay Door with 1/8 inch reveal. (Full overlay door requires the use of knobs or pulls). Doors are 5-piece construction. Top, bottom, and side rails are solid maple. Stained raise panel center piece are solid maple. Painted and/or shaker style doors have MDF center panel with a wood veneer. Maple is an exceptionally hard, finely grained wood species with a fine even texture. Darker stains will moderate the color variance. Lighter stains will mellow with golden hues over time. Features described below are typical and not considered defects:

- Creamy white to light blonde tones to dark reddish brown tones

- Small mineral streaks of light blonde or reddish brown that darken with stain
- Wavy, curly bird's-eye, or burl graining as well as worm tracking across the grain that will darken when stained.
- Variations within a single door.

2) Drawer face is the same as the door. For shaker style, drawer will be slab fronts. Birmingham and Wurzburg will have grooves cut to match with doors below.

3) Two bridge boards for added cabinet strength made of 3/4" plywood. Edge band will face outward.

4) Two side and bottom panels are made of 3/4 inch plywood with edge banding on expose edges. All expose surfaces (excluding edges) are stain/painted to match as closely as possible with the doors. Perfect match is not guaranteed.

5) Side-mount slides are full extension and glides on ball bearings with soft-close feature.

6) Back panel is 1/4" inch thick with 1/2" x 2 3/8" inch bordering frame around the perimeter of the panel for added support. Set into dado of top, bottom, and side panels.

7) Drawer box are made of 3/4" plywood with edge band. Box is constructed using dovetail joints. Bottom panel of drawer box is 1/4" finish plywood.

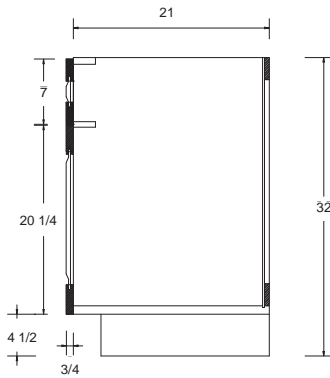
8) Toe kick is made of 3/4 "plywood with finish side facing out.

9) One adjustable shelf made of 3/4" inch plywood with edge banding facing out. Shelf rest on 1/4" steel, nickel plated metal pins.

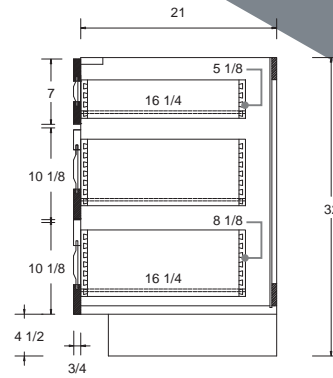
10) 6-way adjustable full overlay hinge. All steel construction with nickel plated finish. Self-closing feature allows door to close unassisted when approximately 10-15 degrees open. Hinge allows less than 3/16" frame to door gap. Hinge allows an in/out adjustment of 1/16". Up/down adjustment of 1/4" and side to side adjustment of 3/16". Hinge permits door to open approximately 107 degrees.

General Dimensions - Frameless Vanity Cabinets

Birmingham, Oxford, Wurzburg

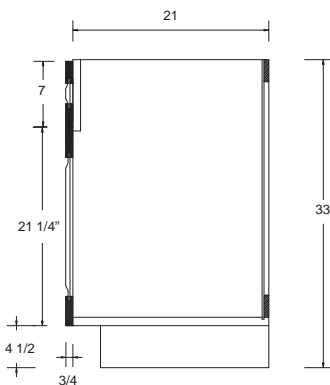


VSB

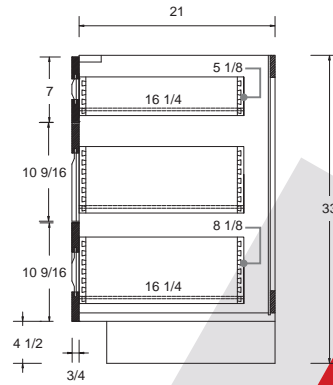


VBD

Anchester 1-3, Cambridge, Edinburgh, Heidelberg, Kingston

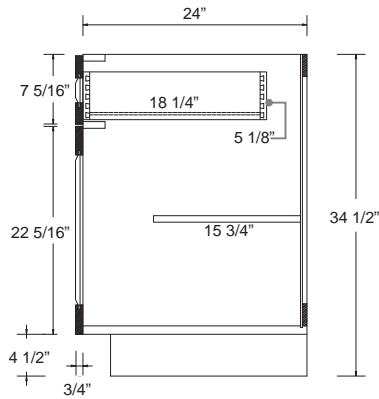


VSB

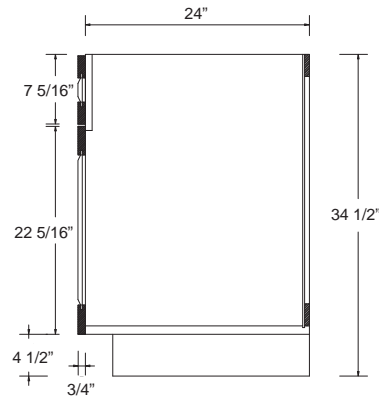


VBD

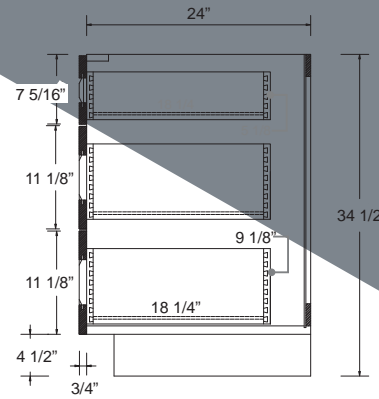
General Dimensions - Frameless Base Cabinets



B/BBC

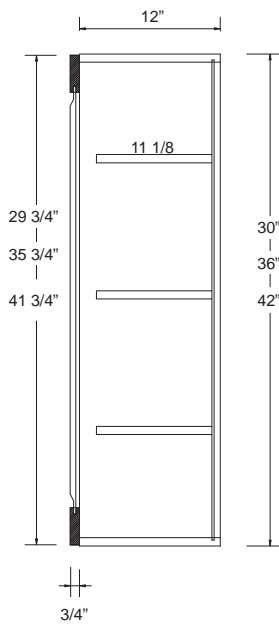


SB

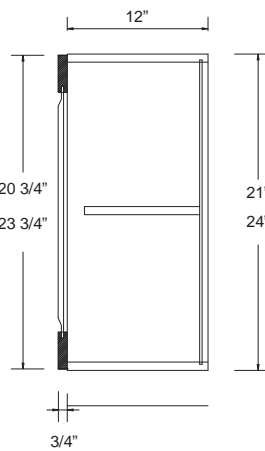


DB-3

- Comes with one shelf

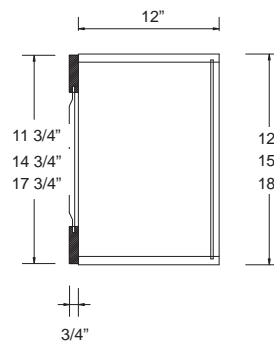


W



W

- Comes with one shelf



W

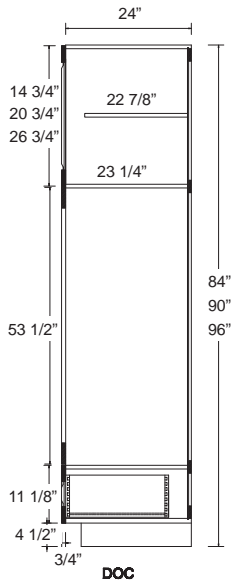
- No shelf

- 30" & 36" wall cabinets

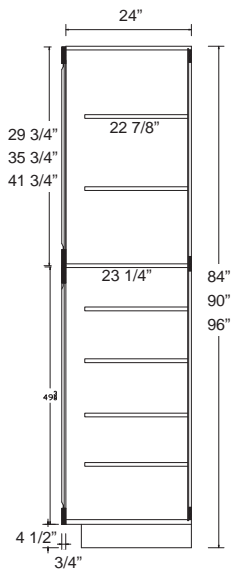
come with two shelves

- 42" wall cabinets come with
three shelves

General Dimensions - Frameless Tall Cabinets



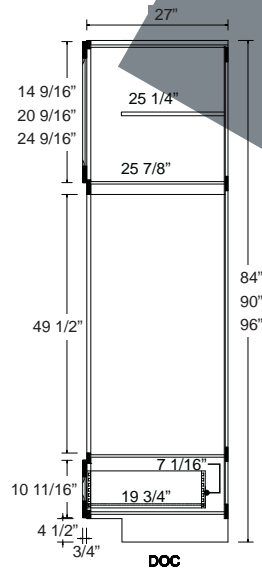
- 84" DOC has no shelf
- 90"&96" DOC come with one shelf



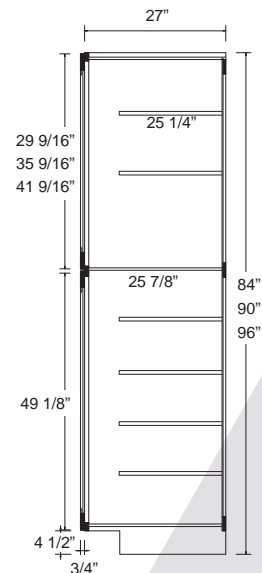
Frameless PC

- 84" & 90" pantry come with one upper shelf and four lower shelves
- 96" pantry comes with two upper shelves and four lower shelves

General Dimensions - Framed Tall Cabinets



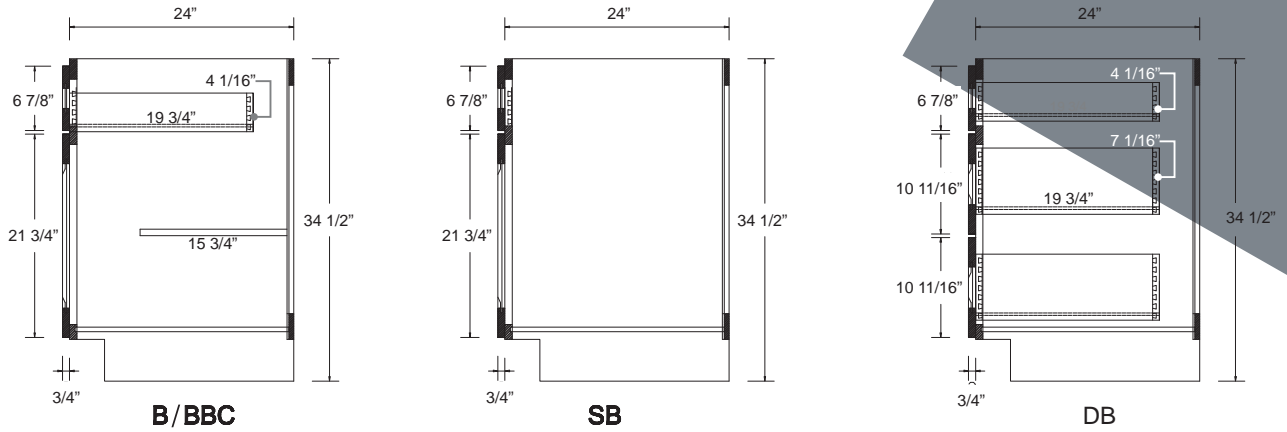
- 84" DOC has no shelf
- 90"&96" DOC come with one shelf



Framed PC

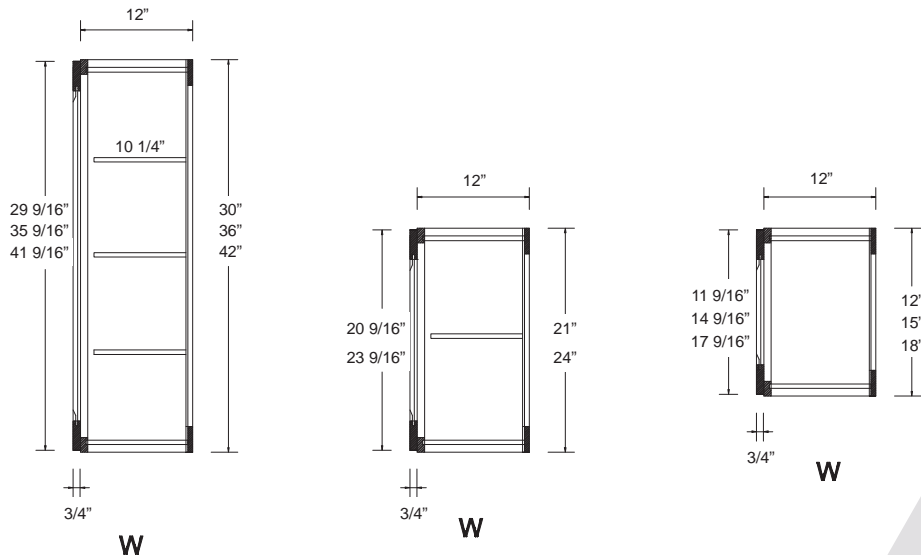
- 84" & 90" pantry come with two upper shelves and four lower shelves
- 96" pantry comes with three upper shelves and four lower shelves

General Dimensions - Framed Base Cabinets



- Comes with one shelf

General Dimensions - Framed Wall Cabinets



- 30" & 36" wall cabinets

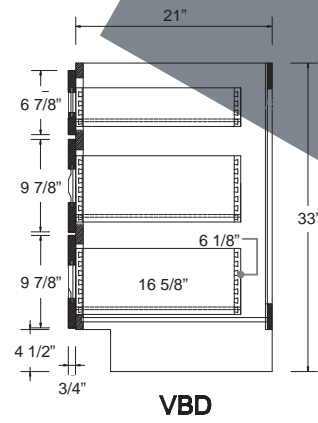
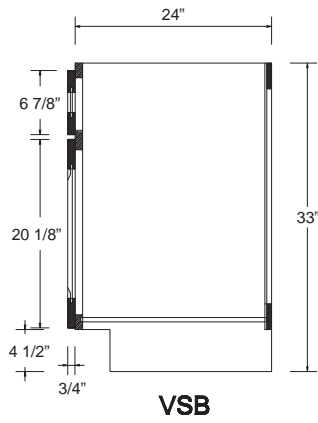
come with two shelves

- 42 wall cabinets come with three shelves

- Comes with one shelf

- No shelf

General Dimensions - Framed Vanity Cabinets



Warranty

5 Year Limited Warranty

LifeArt Cabinetry Corp warrants to the original consumer purchaser that LifeArt Cabinetry Corp, door hinges, and drawer glides will be free from defects in material and workmanship under normal use and service for a period of Five (5) years from purchase date (Proof of Purchase is required). This warranty is not transferable and only applicable to product used for residential purposes. Representatives of LifeArt Cabinetry Corp do not have the authority to change or enlarge this warranty.

This warranty does not cover normal wear and tear, damage or defects caused by accidents, misuse, abuse, or lack of necessary maintenance; nor does it cover alteration, modification, improper installation, improper handling / storage, environmental conditions, nor any labor expenses.

LifeArt Cabinetry Corp, at our option, may elect to repair or replace with a functionally equivalent product any LifeArt Cabinetry Corp product covered by this warranty. Some replacement parts are subject to availability and may differ from original parts received. Return of defective product may be required for a replacement to be issued. Repair parts or replacement parts are at the expense of LifeArt Cabinetry Corp, but customer shall bear all other expenses. These expenses may include, but are not limited to, cost of removal and re-installation of product, labor expenses, etc.

Just as no two trees are alike, no two pieces of wood are alike. The variation in color, grain, pattern in wood; adds to its natural beauty and is not considered an imperfection. Environmental factors, including but not limited to artificial / natural light, moisture, cleaners, smoke, etc, may cause the darkening and / or mellowing of a cabinet over time. This is a natural process and can be expected. This warranty does not cover the natural aging, darkening and /or mellowing of wood color. The inherent growth characteristics of, or variation in wood.

Some of the cabinet lines feature a glazed finish which accentuates the door and drawer front profiles. This glaze is hand applied over a stain or paint and may, due to the nature of application, consist of random drips, runs, etc. As glazing is a hand applied process there will be variations in color and appearance from door to door and cabinet to cabinet. This is not considered a defect and is considered normal with hand applied finishes.

It is the nature of wood to expand and contract to varying degrees depending on climate conditions. As a result, cabinet lines with painted surfaces may show fractures in the paint at joints. This is normal and is not considered a defect.

This warranty is valid only in the United States of America and Canada and is not transferable. All implied warranties are limited in duration to the shorter of the period provided by law or the period of this warranty. To the extent permitted by law, this warranty excludes special, incidental, or consequential damages. Some states do not allow the exclusion or limitations of incidental or consequential damages or limitations on how long an implied warranty lasts, so the above limitations or exclusions may not apply to you. This warranty gives you specific legal rights; you may have other rights which vary from state to state.

To exercise this warranty, please contact the LifeArt Cabinetry Corp supplier from whom you purchased the product. Report, in writing, to info@lifeartcabinetry.com all defects claimed and include proof of purchase documentation.

DISCLAIMER

Disclaimer for Painted Wood Cabinetry:

Please be aware that wood expands and contracts. This natural process, occurring on painted cabinetry – such as the Oxford, Princeton, and Yorktown line, will create open joints in the painted finish. An open joint line is not considered a defect and it is widely accepted in the kitchen cabinetry industry. The finish will still protect the surface, and the structural integrity of the joint will not be affected. These issues are shared by every manufacturer of painted all wood cabinets, and are not unique to the LifeArt Cabinetry Corp.

Wood may expand and contract differently from cabinet to cabinet. Even joints within the same cabinet may behave differently. Some joined wood may not show any joint lines, others may be slightly visible, while others may display easily visible joint lines.

Joint lines also may occur due to the repeated impacts from normal everyday use.

An exposed open wood joint can be damaged from prolonged exposure to water or heavy moisture. Therefore, wipe off any excess moisture from cabinet surfaces as soon as possible.

Discoloration: All Paints, especially lighter colors, are susceptible to discoloration due to airborne particles such as cooking, grilling, tobacco smoke, fireplaces or candles. Prolonged exposure to natural or artificial light may alter the finish color. Moisture may also discolor the finish.

Disclaimer for Stained Wood Cabinetry:

All wood is a product of nature. While each wood type grows best in specific conditions, nature provides differences which are critical to the growing soil and weather conditions will have their effect on grain patterns and color.

The beauty of real wood is created by the infinite variation of grain, texture, and color. This is especially true of hardwood and hardwood veneers; hardwoods are particularly noted for their variety in graining. It is the nature of hardwoods to have mineral streaks (light brown, dark brown, to black areas in the wood) and great variation in graining. Since the number of mineral streaks varies from board to board, you may notice differences between cabinets, doors, drawers, or even on the same panel. Mineral streaks or unusual graining are considered to be characteristic of natural wood and will not be considered to be a defect or reason for replacement. No special emphasis is made to select materials to match each other.

All color characteristics of wood will change as it ages. This will gradually change the color of the wood and stain. The amount and rate of the change will depend on many factors, including wood type, stain color, and the amount of direct sunlight. In addition, exposure to smoke, chemicals, and man-made light may, over time, cause some materials to vary from their original color.

While this softening of the color is not noticeable day to day, it will make a difference over an extended period of time. This is why cabinets or accessories added at a later date may not exactly match previously installed cabinetry. For the same reason, door samples or displays may not represent the exact color of cabinets you receive.

Due to these natural and environmental factors, you will understand why LifeArt Cabinetry Corp cannot be responsible for naturally occurring changes experienced by the wood in your cabinets.

Disclaimer for Images:

Photographic representations of wood, stain, or paint are effected by both direct and indirect lighting, as well as computer screen and printer limitations. LifeArt Cabinetry Corp strongly recommends using these photographs as a reference and your final decision should be based upon looking at the door samples.

Disclaimer for Products & Prices:

Products and prices are subject to change without prior notice.

Cabinet Care

General Care:

A soft cotton cloth dampened with warm water is usually sufficient to clean your cabinets. If more thorough cleaning is required, use one of the following cleaning solutions:

- A fresh solution of mild dishwashing liquid mixed with warm water.
- A mild all - purpose cleaner that does not contain ammonia or silicone.
- Use the mildest cleaning solution that will successfully clean your cabinets. Stronger products may damage or discolor your cabinet finish, may void your warranty, are not recommended.
- After cleaning, wipe all surfaces with a clean, damp cotton cloth, Dry immediately, using another clean/ dry cloth.

Cleaning Products to Avoid:

Avoid using the following cleaning products on your cabinets:

- Harsh chemicals
- Abrasive cleaning products such as: tub/sink cleansers, scouring powder, scouring pads, or steel wool.
- Sponges or dish clothes. (They may contain particles that could scratch your cabinets, or they may contain staining food or oil residue.)
- Ammonia or ammonia based cleaning products.
- Bleach or bleach based cleaning products.
- Silicon based cleaning, waxing, or polishing products.

Splatters & Spills:

Clean spills and splatters immediately, prolonged exposure to spills, including food, water, or other liquids, or to oil and grease splatters can cause permanent discoloration or damage to your cabinet's finish.

Regular Dusting:

Use a clean / dry soft cotton cloth for regular dusting. Packaged dusting sheets are not recommended. Do not use pre-moist-ened dusting sheets, or aerosol products made for dusting.

Waxing & Polishing:

Waxing is not recommended. Over time, waxing and polishing compounds may build up to the surface of your cabinet causing hazy, streaky, or a yellowed appearance to your cabinet's finish.

Cleaning Glass Doors:

Extra care is cleaning glass doors. Spray an ammonia-free glass cleaner on a clean cotton cloth or paper towel. Do not spray cleaner directly on the glass. The spray could run or seep behind the frame or mullions and cause damage.

Scratches, Gouges, & Nicks:

A Touch-Up Kit is available to hide surface damage. Contact LifeArt Cabinetry Corp to purchase the color-matched touch-up kit for your specific cabinets. Use the kit's touch-up pen to hide minor blemishes. Use the kit's tinted putty to fill deeper scratches, gouges, or nicks. Detailed instructions are provided in each kit.

Avoid Moisture Damage:

Avoid draping damp clothes or dish clothes over cabinet doors. This moisture can cause permanent damage: including but not limited to peeling and discoloration of the cabinet's finish.

Avoid Light Damage:

Exposure to direct sunlight tends to darken the color of natural wood products. Sunlight can also fade painted wood surfaces. Consider the use of draperies or blinds to protect your cabinets from direct sunlight.

Avoid Heat Damage:

The heat generated when using an oven's self-cleaning feature is much greater than during normal cooking. If this heat escapes from the oven, it can damage your cabinets. While this is a rare circumstance, you can minimize the risk of cabinet damage by removing cabinet door and drawers nearest the oven before using its self-cleaning feature.