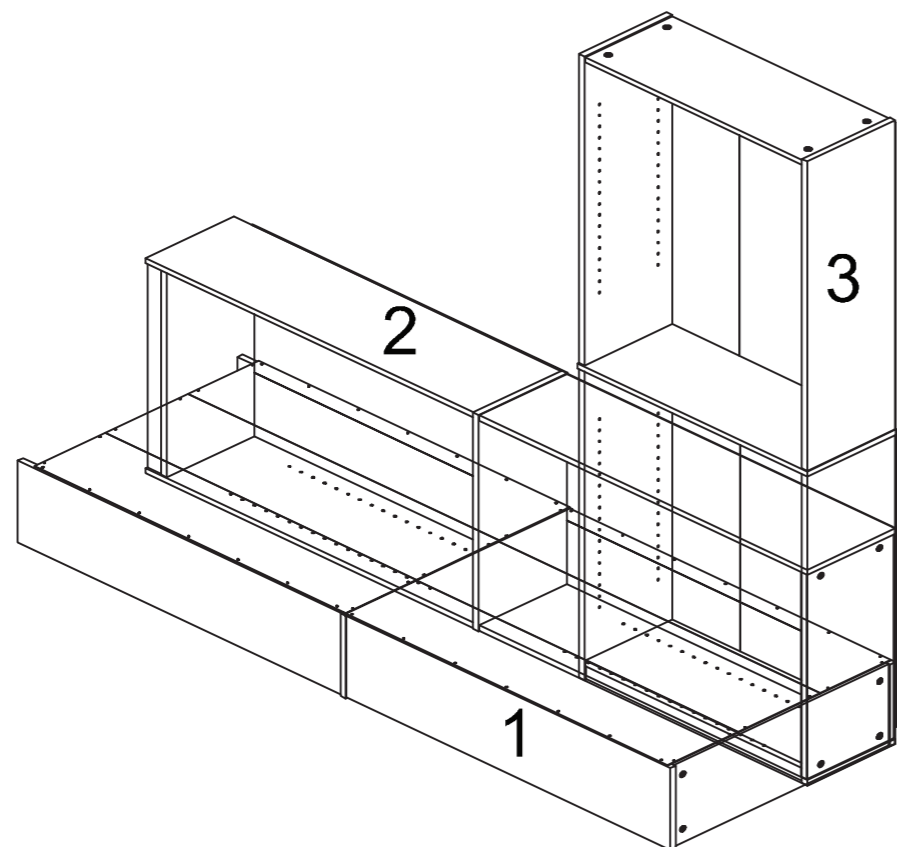
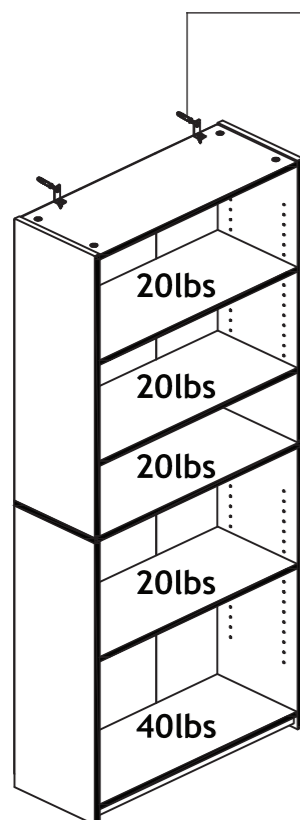


### STEP 10

The unit can be placed vertically or horizontally depending on the space and the need.



### Recommended Maximum Weight



\*NOTE: Please use wall plug to prevent unit from falling.

#### **WARNING:**

>This unit has been designed to support the maximum loads shown. Exceeding these load limits could cause sagging, instability, product collapse, and/or serious injury.

>DO NOT allow children to climb on unit.

>Put heavier items on lower shelves.



### Assembly Instruction

Furinno 5 Tier Shelf Bookcase

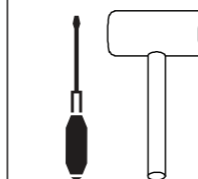
MODEL : 14110R1

00:30

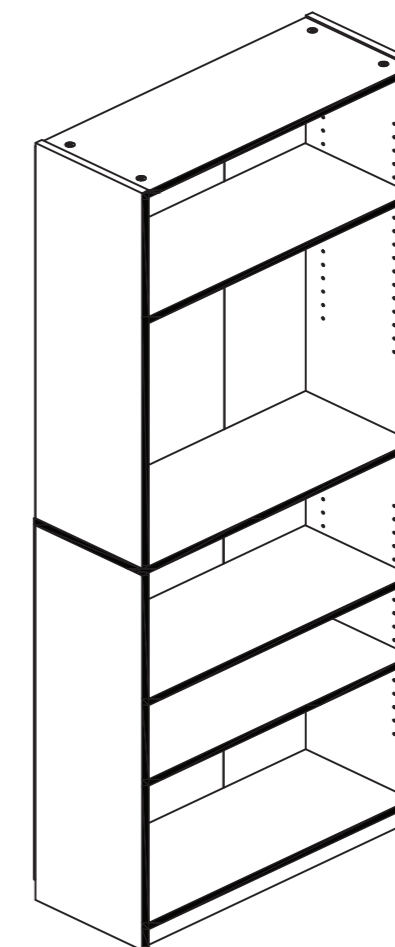
Approx. 30 minutes



Recomm. 2 Person



Tool Required



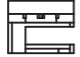
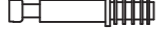



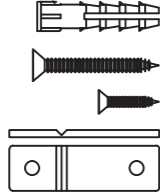













### Customer Support

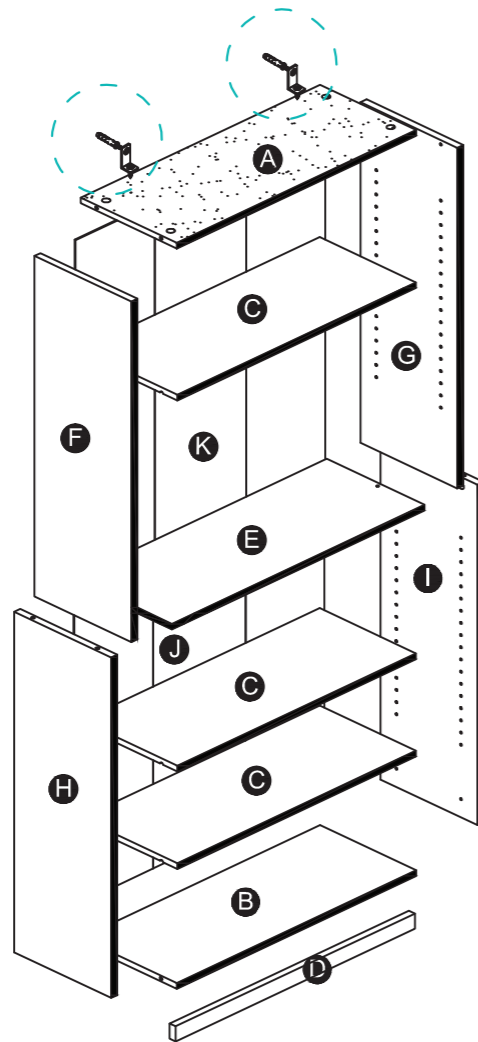
**NEED HELP?** For replacement requests or product inquiries, please contact our Customer Service Team by emailing us at [support@furinno.com](mailto:support@furinno.com). Thank you for selecting Furinno!

[www.furinno.com](http://www.furinno.com)



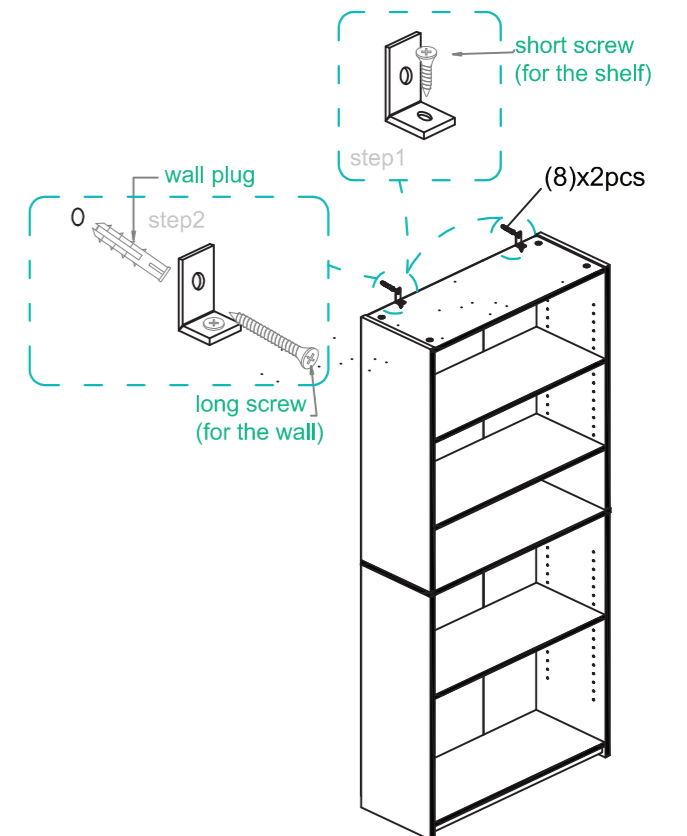
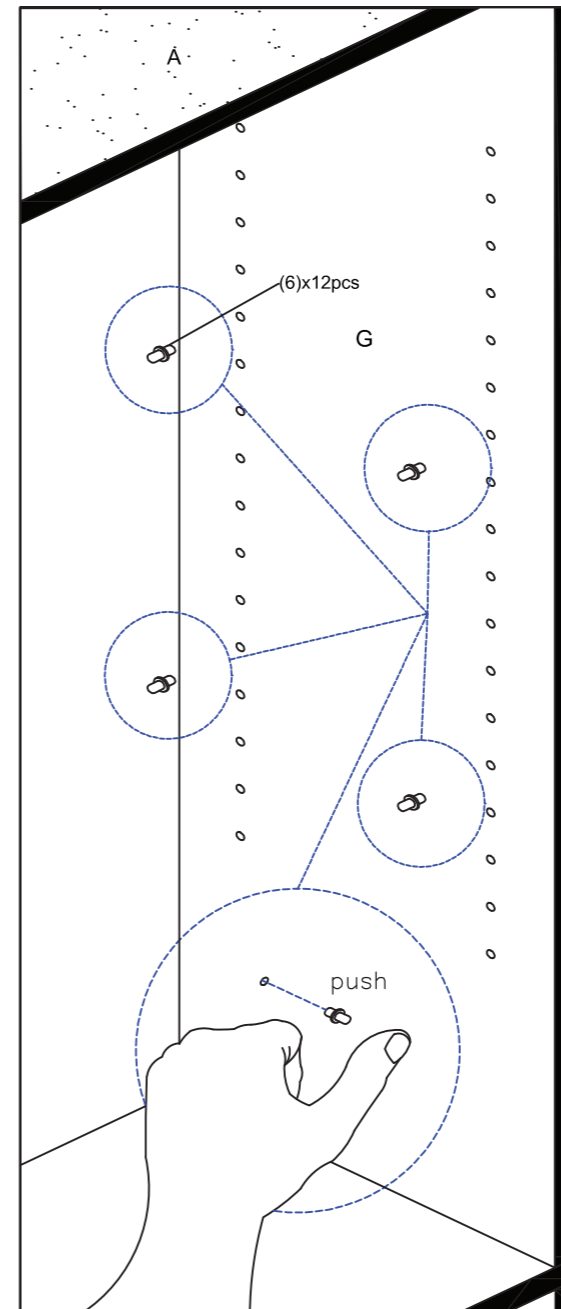
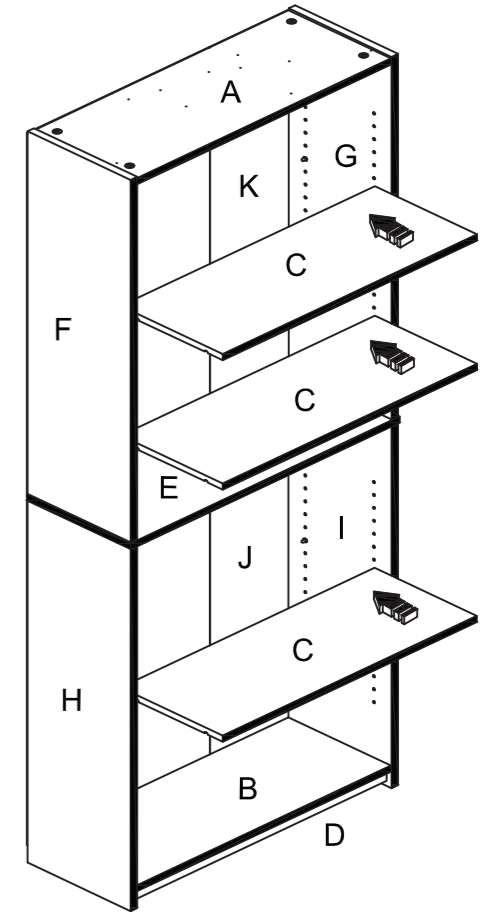
No	Hardware List	Qty
1	Large Screw 	2pcs
2	Small Screw 	4pcs
3	Mini Fix Cam 	12pcs
4	Mini Fix Bolt 	12pcs
5	Power Pin 	46pcs
6	Shelving Support 	12pcs
7	L Bracket 	2pcs
8	Wall Mounting Set 	2sets

No	Parts List	Qty
A	Top Panel 	1pc
B	Bottom Panel 	1pc
C	Shelf Panel 	3pcs
D	Bottom Bar 	1pc
E	Center Panel 	1pc
F	Top Left Side Panel 	1pc
G	Top Right Side Panel 	1pc
H	Bottom Left Side Panel 	1pc
I	Bottom Right Side Panel 	1pc
J	Bottom Back Panel 	1set
K	Top Back Panel 	1set



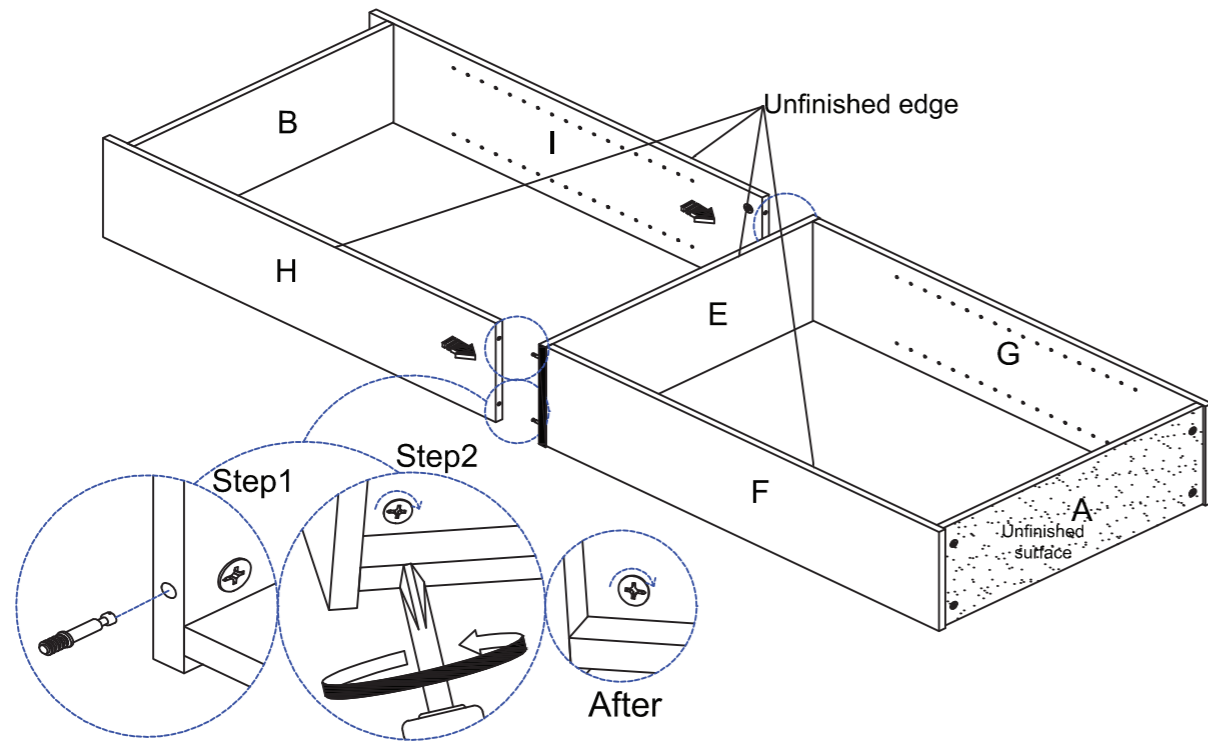
### STEP 9

- 9.1 Insert Shelving Support (6) to the pre-drilled holes on Panel (F,G,H&I).
- 9.2 Insert Shelf Panel (C) to the unit, as shown.
- 9.3 Fix the unit to the wall using Wall Mounting Set (8) to prevent unit from falling.



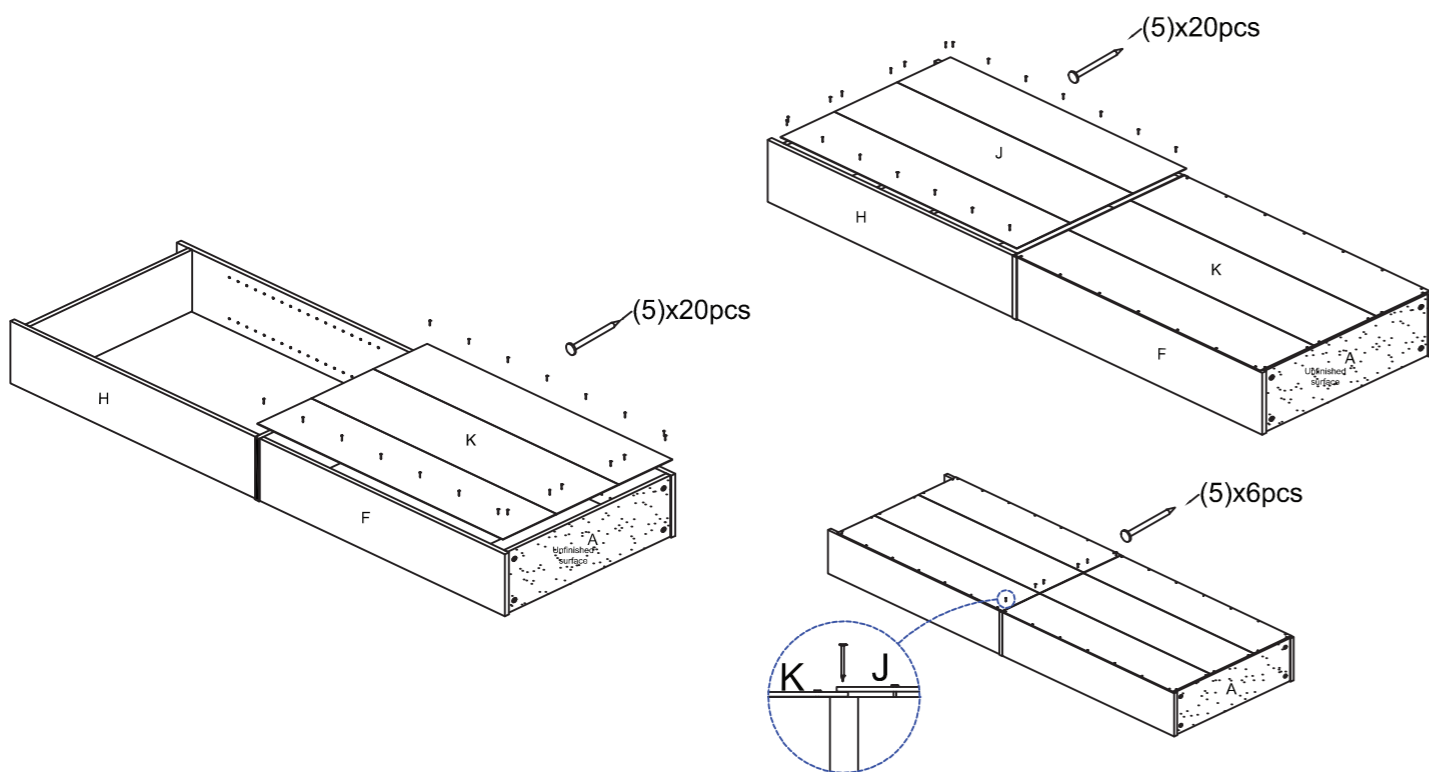
### STEP 7

Combine both assembled unit in Step (4&6), as shown.



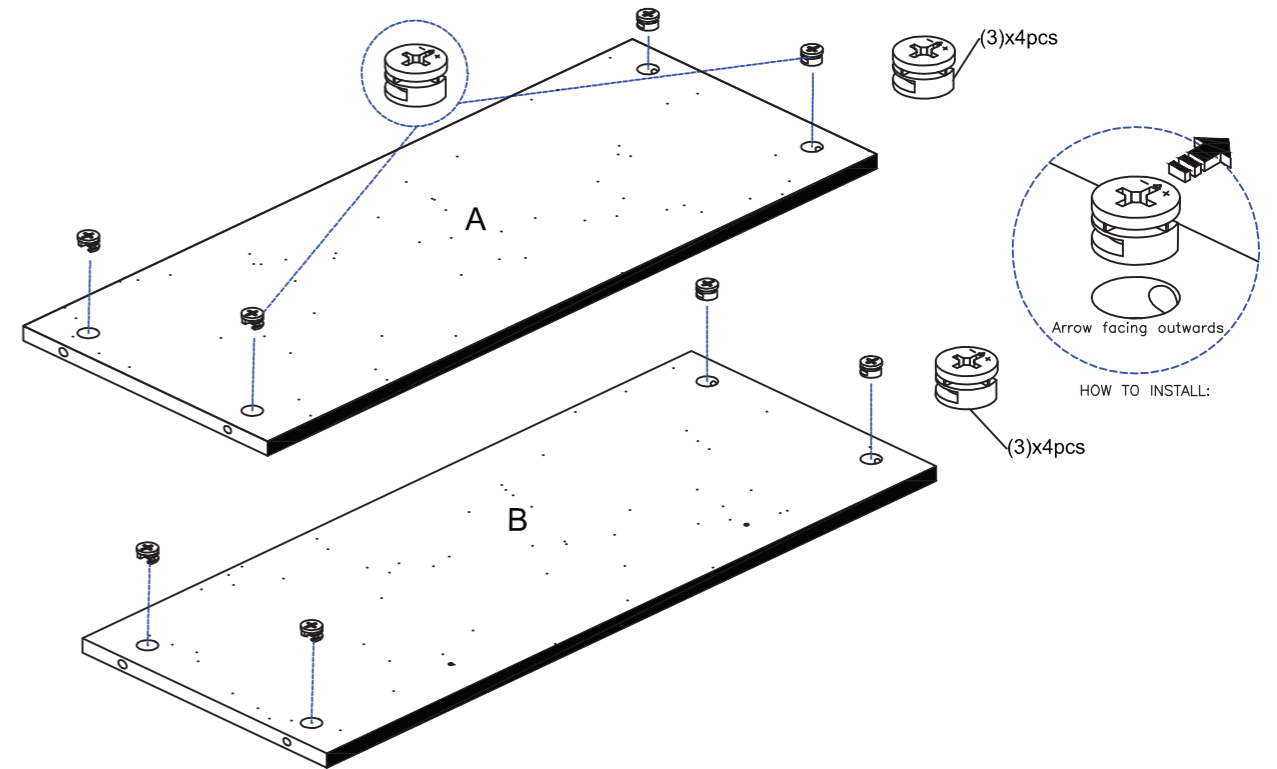
### STEP 8

Attach Back Panel (J&K) to the back of the assembled unit using Power Pin (5).



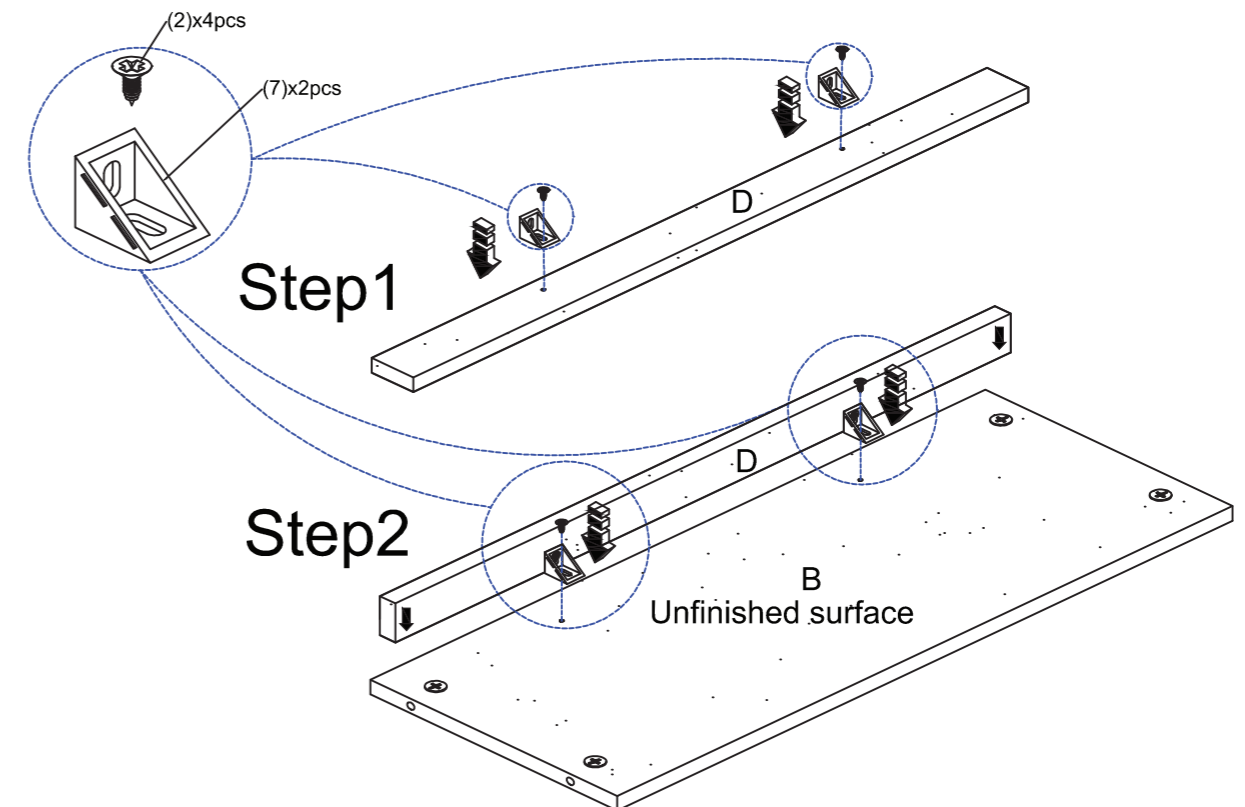
### STEP 1

Insert Mini Fix Cam (3) to Panel (A&B), as shown.



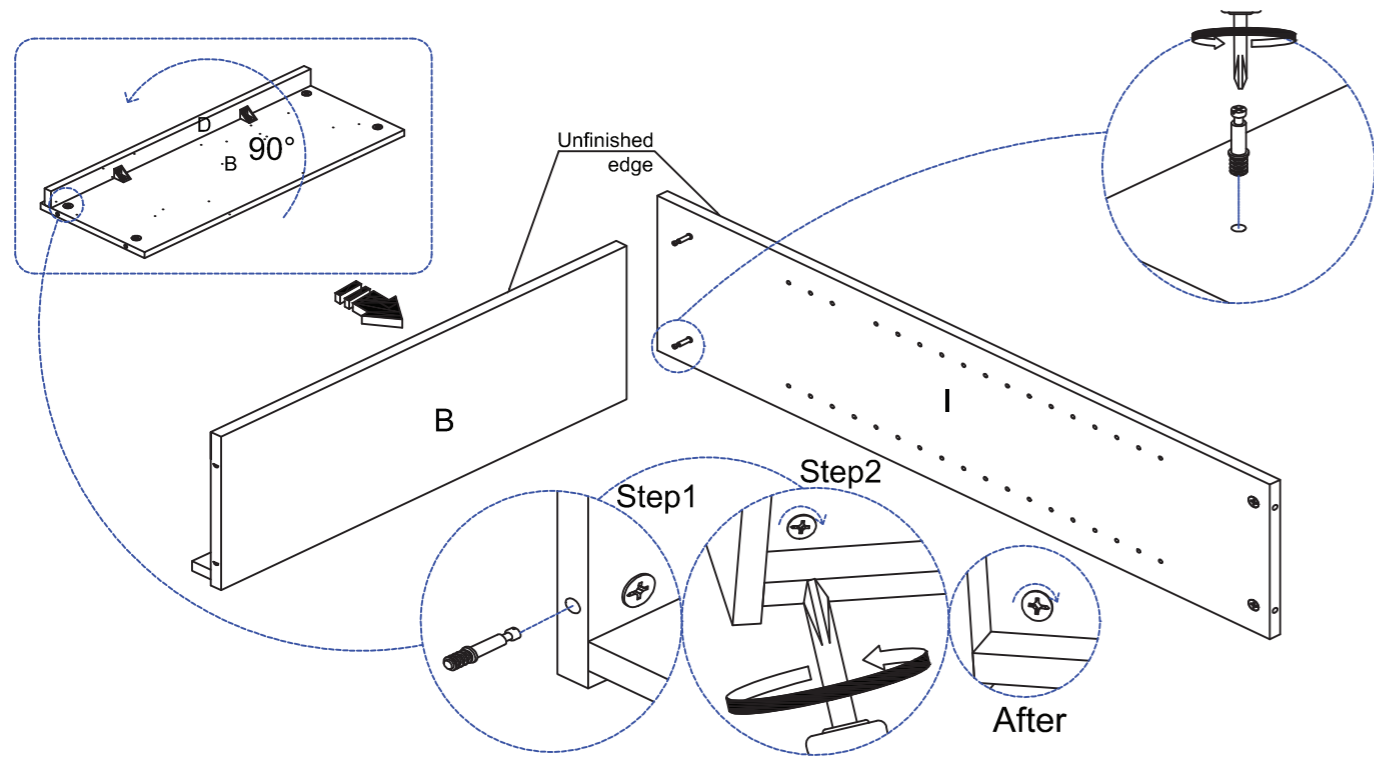
### STEP 2

- 2.1 Install L Bracket (7) to Bar (D) with Small Screw (2).
- 2.2 Attach assembled unit to Panel (B) with Small Screw (2).



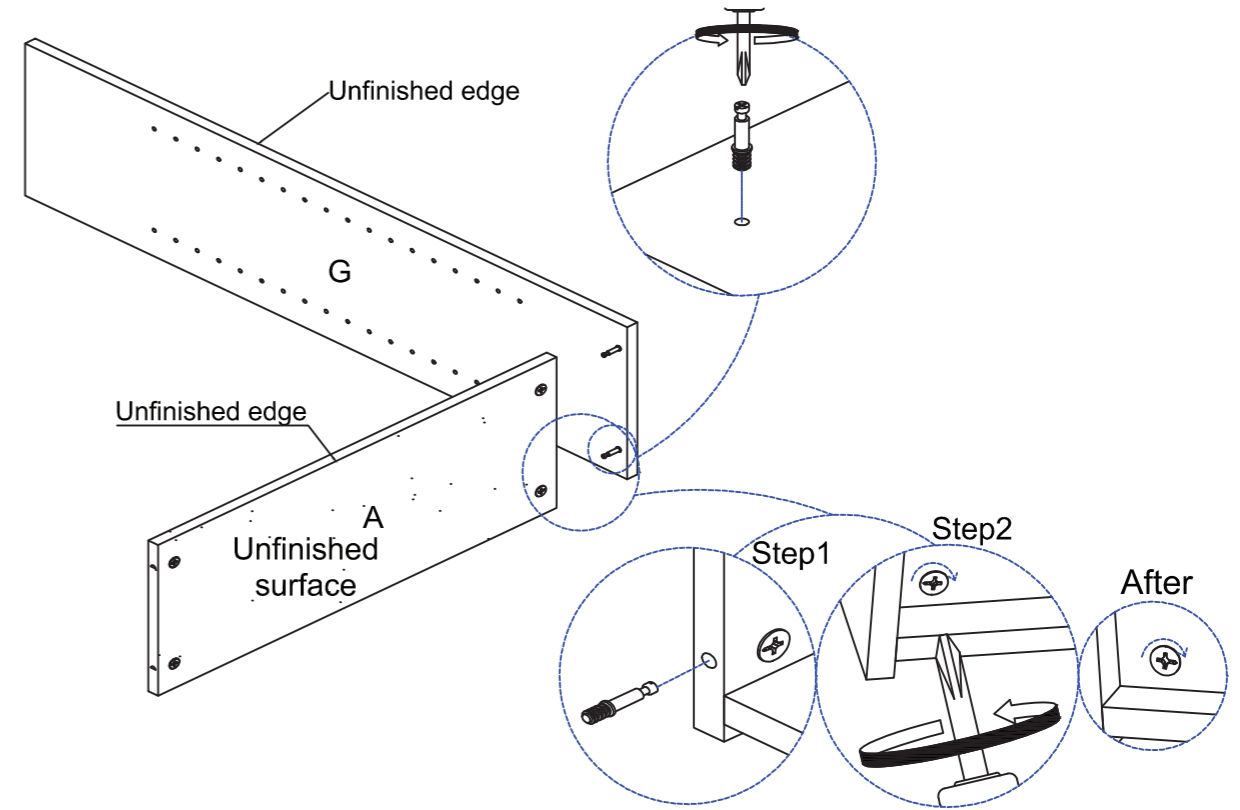
### STEP 3

- 3.1 Insert Mini Fix Bolt (4) into Panel (I) using screwdriver.
- 3.2 Attach Panel (I) to assembled unit in Step 2, as shown.



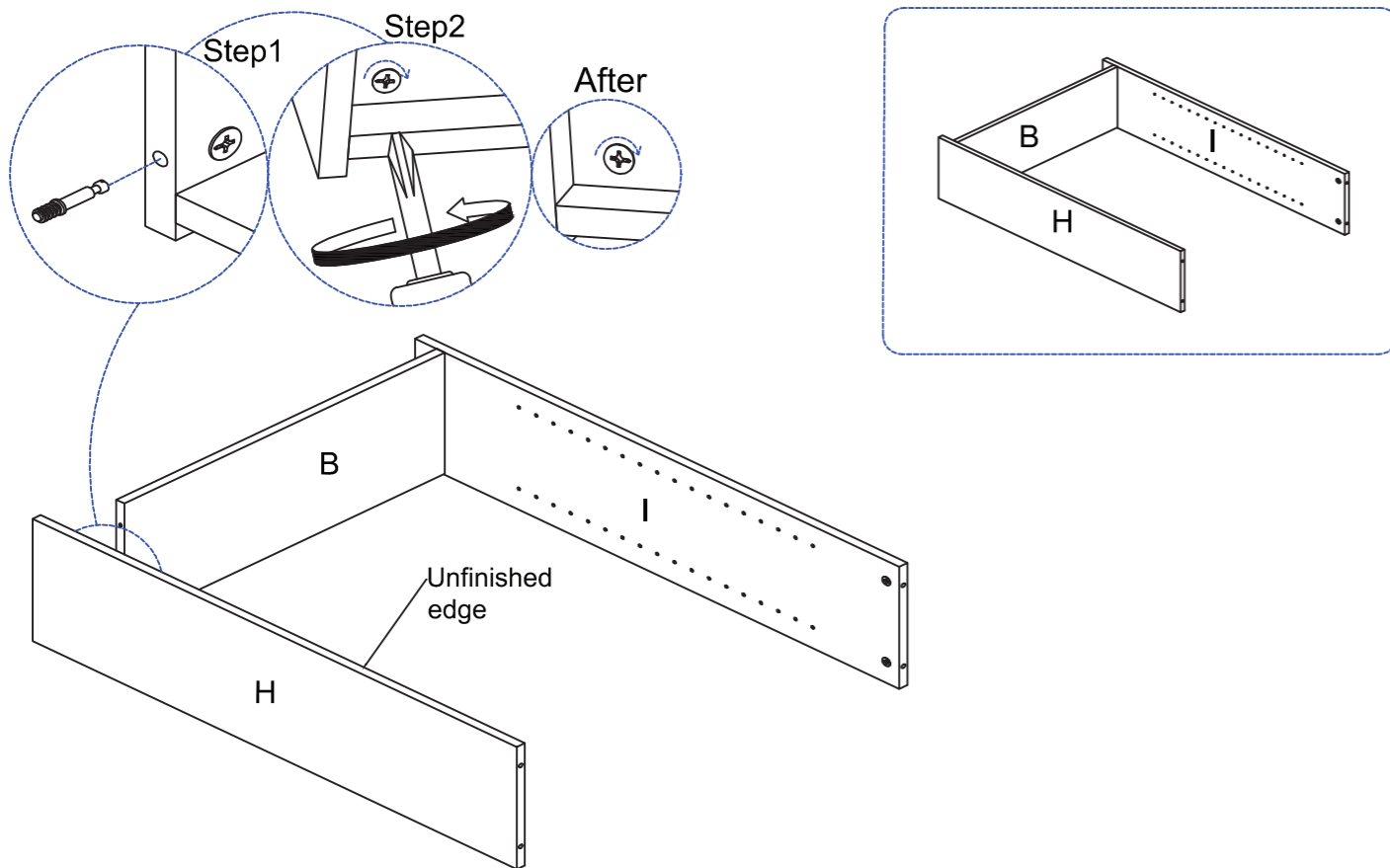
### STEP 5

- Insert Mini Fix Bolt (4) to Panel (G) and attach Panel (G) to Panel (A), as shown.



### STEP 4

- Insert Mini Fix Bolt (4) into Panel (H) and attach Panel (H) to Panel (B), as shown.



### STEP 6

- 6.1 Insert Mini Fix Bolt (4) to Panel (E&F).
- 6.2 Attach Panel (F) to Panel (A).
- 6.3 Attach Panel (E) to Panel (G&F) using Large Screw (1), as shown.

