

De'Longhi America, Inc.
250 Pehle Avenue, Suite 405
Saddle Brook, NJ 07663
1 800 322 3848

Fiducia Italiana S.A de C.V.
Erasmus Castellanos Quinto
calle B manzana II #29
Col. Educación
C.P. 04400
Deleg. Coyoacán
México D.F.
Lada sin costo: 1800 711 8805

www.delonghi.com

DEEP FRYER FREIDORA

D28313

Register this product on-line and receive a free trial issue of Cook's Illustrated. Visit <http://www.delonghiregistration.com/select.html>
Visit www.delonghi.com for a list of service centers near you. (U.S. and Canada Only)

Registre este producto en línea y reciba un ejemplar gratis de Cook's Illustrated. Visite <http://www.delonghiregistration.com/select.html>
Visite www.delonghi.com para ver la lista de centros de servicios cercanos a usted. (Solamente en los Estados Unidos y Canada)

Instructions for use

Keep these instructions

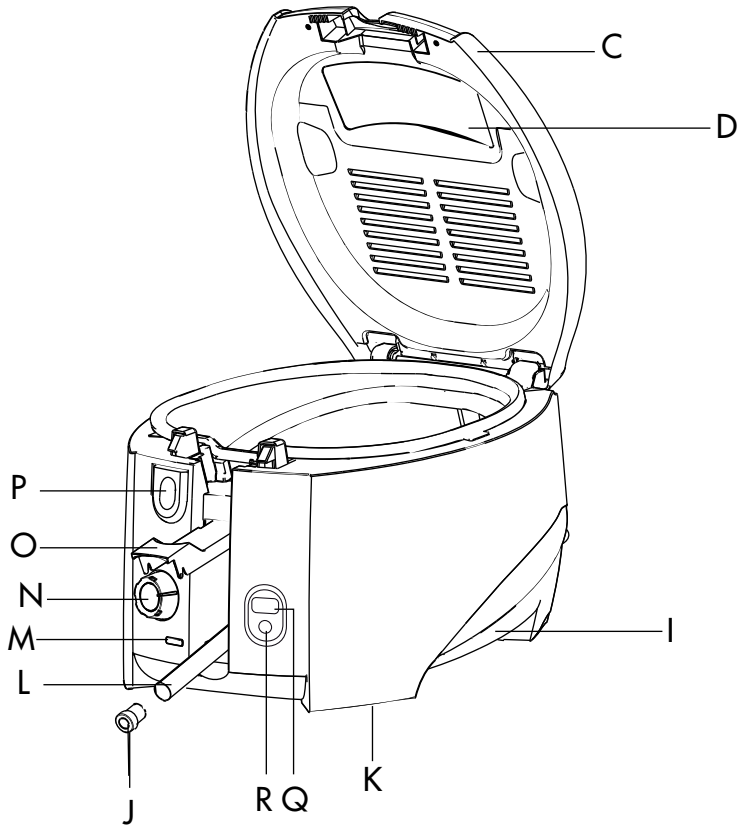
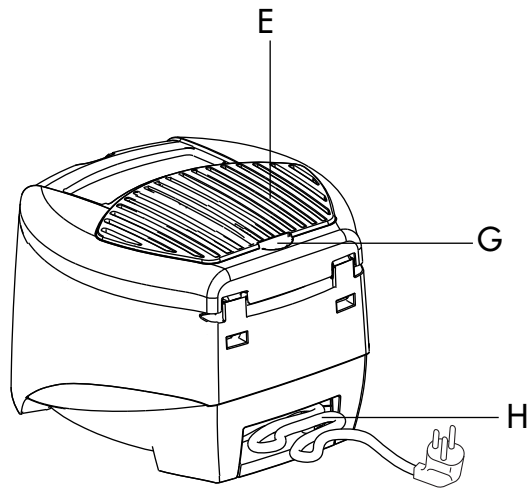
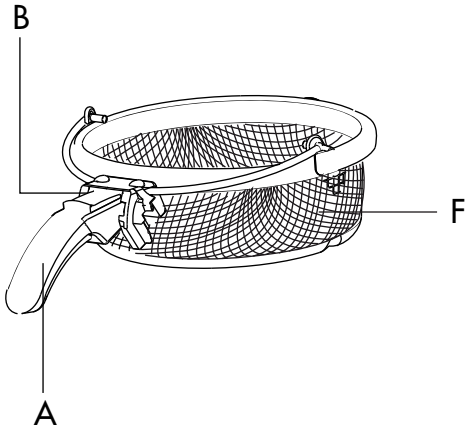
Instrucciones para el uso

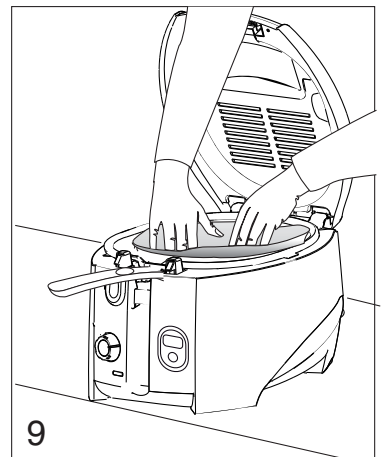
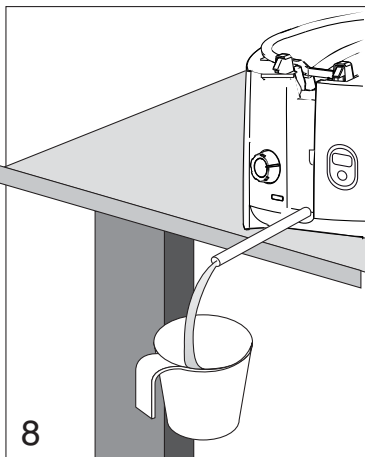
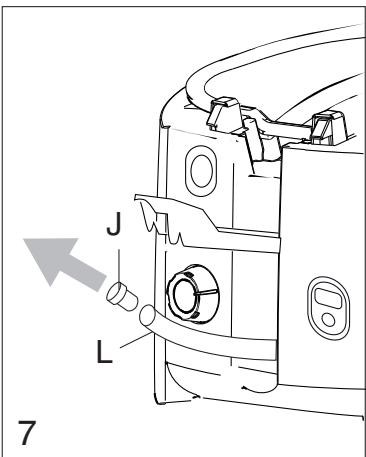
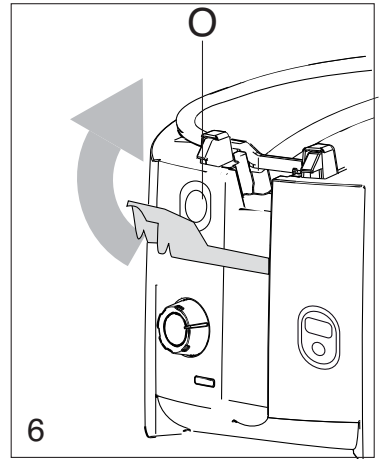
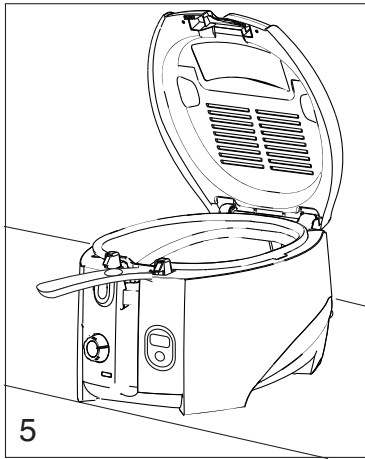
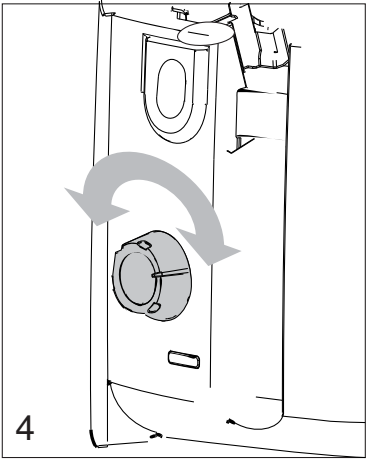
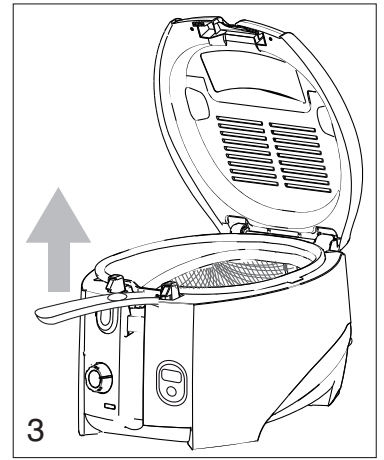
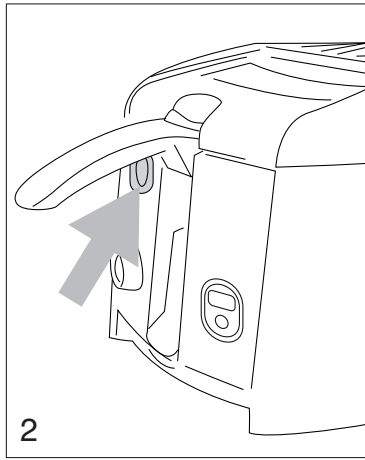
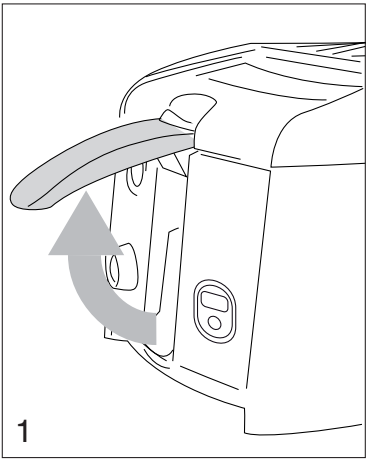
Repase y guarde estas instrucciones

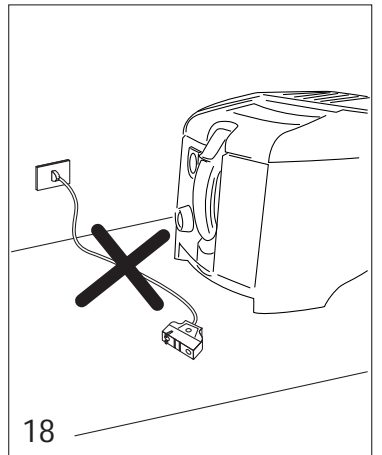
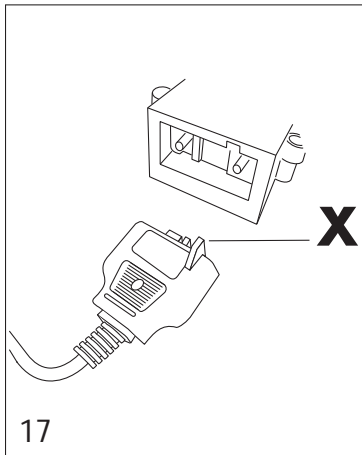
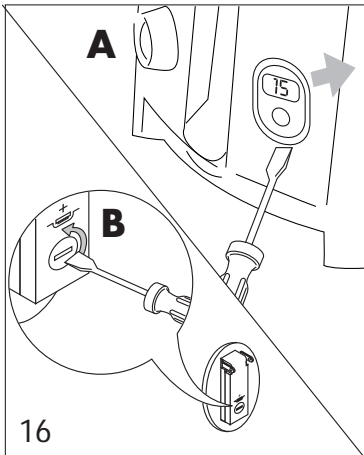
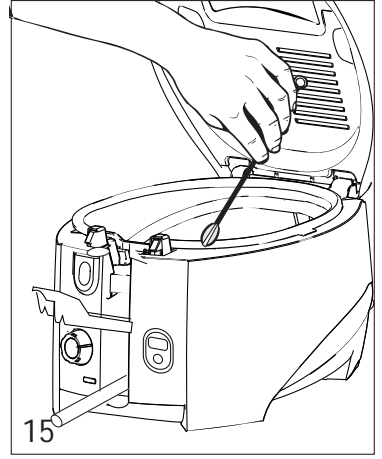
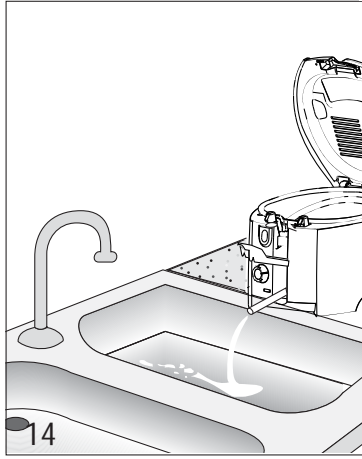
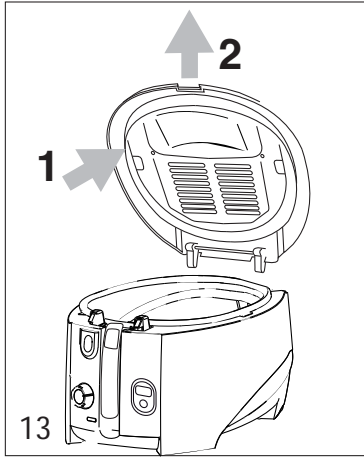
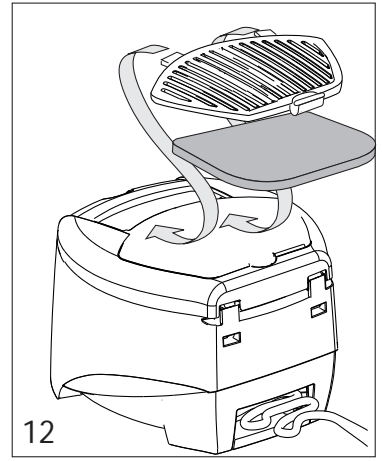
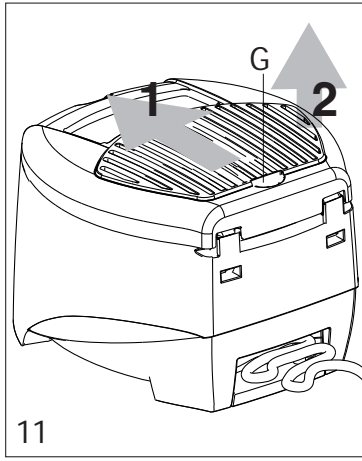
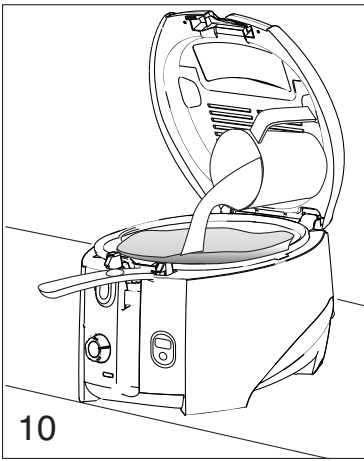
Lea cuidadosamente este instructivo antes de usar su aparato.

DeLonghi

120 V~ 60 Hz 1 500 W







IMPORTANT SAFEGUARDS

The use of all electrical appliances implies the observance of some fundamental rules.

1. Read all the instructions.
2. Avoid contact with hot surfaces. Use the special handles.
3. To avoid electric shock, never immerse the cable, plug or deep fryer itself in water or other liquids.
4. Take maximum care when the appliance is being used by or near children.
5. When not in use and before cleaning, always unplug from the outlet. Allow to cool before installing or removing components and before cleaning.
6. Do not use the appliance if the plug or cable appear damaged or if the appliance appears to be malfunctioning or has been damaged in any way. Take the appliance to your nearest service center for advice or repair.
7. The use of accessories not recommended by the manufacturer could cause damage.
8. Do not use the appliance outdoors.
9. Do not leave the cord hanging from the edge, on top of the deep fryer or in contact with hot surfaces.
10. Do not place the appliance on or near hot plates or gas rings. Do not place in a hot oven.
11. Take particular care when moving the appliance while it contains hot oil or other liquids.
12. Plug the cable into the appliance first then into the wall socket. To turn the unit off press the ON/OFF button then unplug from the outlet.
13. Never use the appliance for purposes other than those for which it was specifically designed.
14. Make sure the handle is correctly assembled and attached to the basket.

SAVE THESE INSTRUCTIONS

THIS PRODUCT IS INTENDED FOR HOUSEHOLD USE ONLY.

WARNINGS

- **Turn the deep fryer on only after filling it with oil or fat.** Operating the appliance without oil or fat causes serious damage.
- If heated empty, a thermal cut-out device trips and shuts the appliance down.
- Connect the cable to an outlet rated at about 120 V.
- The appliance is fitted with a polarized safety plug (a plug with one blade larger than the other), to reduce the risk of electric shock, it can be inserted into the outlet in one direction only. This is a safety feature. If you cannot fully insert the plug into the outlet, try the other way. If the plug is not suitable for the socket, have the obsolete outlet replaced by a qualified electrician. Do not tamper with the polarized plug protection system."
- Clean the bowl, basket and cover of the appliance thoroughly with hot water and mild detergent before using for the first time. Dry thoroughly.
- If oil leaks from the appliance, contact an authorized technical service center.
- To guarantee safe use, do not attempt to insert excessively bulky food or utensils into the deep fryer.
- Do not allow the appliance to be used by children without supervision.
- Never allow children to play with the appliance.
- To avoid burns, do not touch metal parts as these could become extremely hot. Use oven mitts.
- Do not open the oil drain tap (if present) when the oil is still hot.
- The appliance may give off a "new" smell the first time you use it. This is completely normal. Ventilate the room.
- When the appliance is not in use and before cleaning, unplug from the outlet.

Do not use extension cords

The appliance is fitted with a short power cord to avoid the risks associated with twisting of the cord.

IF THE DEEP FRYER HAS A CORD WITH MAGNETIC CONNECTOR

First, connect the magnetic connector to the appliance as shown in figure 17, making sure the protruding part of the connector (X) is correctly inserted into the corresponding outlet on the appliance. Then plug the cord into the outlet.

Warning

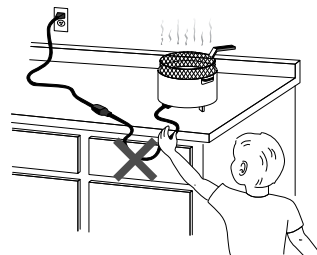
Never leave the appliance plugged into the outlet if the magnetic connector is not fitted to the deep fryer, figure 18.

If the magnetic connector does not remain in place, check that it has been inserted correctly, (see figure 17). If the problem persists, contact an authorized service center. When the appliance is in operation, always leave free space around the magnetic connector to prevent it from becoming detached. Only use a type TA-35PA or LT-512 cord set supplied by De'Longhi authorised service centres.

IMPORTANT SAFEGUARD

A DEEP FRYER FALLING FROM A HIGH PLACE MAY CAUSE SERIOUS BURNS. NEVER LEAVE THE CORD HANGING FROM THE EDGE OF THE SURFACE THE DEEP FRYER IS RESTING ON WHERE IT COULD BE GRASPED BY A CHILD OR GET IN THE WAY OF THE USER. DO NOT USE EXTENSION CORDS.

KEEP OUT OF REACH OF CHILDREN



DESCRIPTION OF THE APPLIANCE

(see diagram pag. 3)

- A. Basket handle
- B. Handle slide
- C. Lid
- D. Viewing window
- E. Filter cover
- F. Basket
- G. Filter cover hook
- H. Cable holder compartment
- I. Handle for lifting up the appliance
- J. Drainage pipe plug
- K. Foot
- L. Oil drainage pipe
- M. Signal lamp
- N. Thermostat
- O. Inspection door for pipe compartment
- P. Opening button
- Q. Minute timer display (some models only)
- R. Minute timer button (some models only)

INSTRUCTIONS FOR USE

Filling with oil or fat

- Raise the basket (F) to the highest position by pulling the special "A" handle upwards (fig.1).
The lid should ALWAYS be closed when the basket is raised and lowered.
- Open lid "C" by pressing button "P" (fig.2).

- Remove the basket by pulling it upwards (fig.3).
- Pour into the container 1.2 litres of oil (or 1 kg. of fat).

WARNING: The level must always be between the maximum and minimum levels indicated.

Never use the deep fryer when the oil is below the "min" level as it could cause the thermal safety device to come into operation; to replace it you need to contact one of our service centres.

Best results are obtained by using a good peanut oil. Avoid mixing different types of oil. If you use lumps of solid fat, cut them into small pieces so that the deep fryer does not heat up in the first few minutes without a covering of fat. The temperature must be set to 300°F until the fat has melted completely. The required temperature can then be set.

STARTING TO FRY

1. Put the food which is to be fried into the basket, without ever overfilling it (max. 1 kg. of fresh potatoes).
In order to obtain a more even frying, we recommend concentrating the food especially around the perimeter of the basket., leaving the central part more sparingly filled.
2. Put the basket into the boiler pan in a raised position (fig.3) and close the lid by pressing lightly down upon it until the hooks click. Always close the

lid before lowering the basket in order to avoid hot oil from splashing out.

3. Plug into the mains socket and set thermostat knob "N" to the required temperature (fig.4). When the temperature set has been reached, signal lamp "M" will go off.
4. As soon as the signal lamp goes off, immerse the basket in the oil, lowering the handle slowly after sliding the handle's "B" slider back.
 - It is completely normal for a considerable amount of very hot steam to pour out of filter cover "E" immediately after this.
 - At the start of cooking, immediately after the food has been immersed in the oil, the internal wall of viewing window "D" will steam up, before progressively clearing.
 - It is normal for drops of condensation to form around the basket handle while the appliance is working.

MODELS WITH ELECTRONIC MINUTE TIMER

- 1 Set the cooking time by pressing the "R" button. The display "Q" will show the minutes set.
- 2 The numbers will straight away begin to flash. This shows that the cooking time has begun. The last minute is displayed in seconds.
- 3 If an error is made, the new cooking time can be set by holding the button down for more than 2 seconds. The display will reset and the process can then be repeated from point 1.
- 4 The minute timer will indicate the end of the cooking time with two series of beeps about 20 seconds apart. To turn the acoustic signal off, press the minute timer button "R".

IMPORTANT: the minute timer does not turn the appliance off.

Replacing the minute timer battery (fig. 16)

- Remove the minute timer from its housing by prising it from the lower side (see fig. 16A).
- Turn the battery cover on the back of the battery anticlockwise (fig. 16B) until it comes free.
- Replace the battery with another of the same type (L1131).

When replacing or disposing of the appliance, the battery must be removed and disposed of according to current legislation as it represents a hazard to the environment.

AFTER FRYING

When the cooking time runs out raise the basket and check if the food has reached the required golden colour. In the models fitted with a viewing window this check can be carried out by looking through the window without opening the lid. If cooking is complete, turn off the appliance by unplugging from the outlet.

Drain excess oil by leaving the basket inside the deep fryer for a while in the high position.

FILTERING THE OIL OR FAT

We recommend that you carry out this procedure each time you have finished frying as, especially when the food has been breaded or floured, the food particles tend to burn if they remain in the liquid thus causing much quicker deterioration in the oil or fat.

Check that the oil is cool enough (waiting about 2 hours).

Models with drainage pipe

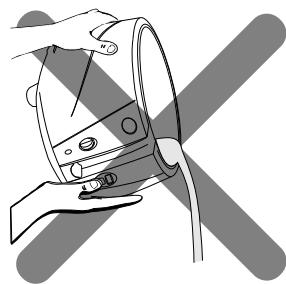
Bring the front part of the deep fryer to the edge of the work surface, taking care that the feet (K) never protrude over the edge (fig. 5).

1. Open the lid of the deep fryer and remove the basket (fig. 3).
2. Open inspection door "O" as shown in fig. 6.
3. Remove drainage pipe "L".
4. Remove plug "J" while at the same time squeezing the pipe with two fingers to prevent the oil or fat from leaking out before the pipe has been directed into a container (fig. 7).
5. Allow the oil or fat to drip into a container (fig. 8).
6. Remove any deposits from the tank using a sponge or absorbent paper.
7. At the end of the procedure fit the plug back onto the drainage pipe and reposition it in its compartment.
8. Put the basket back in the high position and place one of the filters (optional) at the bottom of the basket (fig. 9). You can obtain the filters from your retailer or one of our service centres.
9. Next pour the oil or fat very slowly into the deep fryer so that it does not spill out of the filter (fig. 10).
10. The oil which has been filtered in this way can be preserved inside the deep fryer. However, if a long time elapses before it is next used, it is advisable to preserve the oil in a closed container in order to stop it deteriorating. It is good practice to keep oil used for frying fish separate from that used for frying other food.

If fat is used, be careful not to let it cool down too much or it will solidify.

WARNING

Never empty the deep fryer by tilting it or turning it upside down.



MAINTENANCE OF THE ANTI-ODOUR FILTER

Removable filter: over time, the anti-odour filter inside the lid loses its efficiency. You are therefore recommended to replace it after every 10/15 frying sessions. To replace, remove the plastic filter grille.

CLEANING

Before cleaning, always remove the plug from the electrical socket.

Never immerse the deep fryer in water or hold it under the tap. By getting inside the water would cause short circuiting. Check that the oil is sufficiently cold (wait about 2 hours), then empty out the oil or fat as previously described in the paragraph headed "filtering the oil or fat".

Remove the lid as shown in fig. 13.

The lid is removable, to take it off, proceed as follows: push the lid back (see arrow "1" fig. 13) and at the same time, lift it up (see arrow "2" fig. 13).

Do not immerse the lid in water without having first removed the filter.

To clean the boiler pan, proceed as follows:

- Wash the tank with hot water and washing up liquid, then rinse and dry everything carefully. In the models fitted with oil drainage pipe, always use it to empty out the water (fig. 14); then remove any remaining water which has collected in the oil drainage pipe.
- In order to clean the inside of the drainage pipe, use the pipe brush supplied (fig. 15).
- We advise regular cleaning of the basket, with care being taken to eliminate any deposits which might have accumulated in the basket's wheel guide ring.
- Dry the outside of the deep fryer with a soft, damp cloth in order to get rid of splashes and any little dribbles of oil or condensation.

Model with non-stick boiler pan

To clean the boiler pan use a soft cloth with a neutral detergent never using objects or abrasive detergents.

COOKING HINTS

HOW LONG THE OIL OR FAT LASTS

The oil or fat must never go below the minimum level.

From time to time it is necessary to renew it completely. The length of time the oil or fat lasts depends on what is fried. Breading, for example, dirties the oil more than simple frying. As for all types of deep fryer, the oil deteriorates if it is reheated several times! Therefore, even if it is used and filtered correctly, we recommend replacing it completely fairly often. Since the deep fryer works with little oil, due to its rotating basket, there is the considerable advantage that you only have to get rid of about half the amount of oil that you would with the other deep fryers on the market.

HOW TO FRY CORRECTLY

- It is important to follow the recommended temperature for every recipe. If the temperature is too low, the fried food absorbs oil. If the temperature is too high a crust quickly forms on the outside while the inside remains uncooked.
- **The food which is to be fried must only be immersed when the oil has reached the right temperature, i.e. when the signal lamp goes off.**
- Do not overfill the basket. This would cause the temperature of the oil to drop suddenly, resulting in fried food which is too greasy and not uniformly fried.
- When frying small quantities of food, the temperature of the oil must be set lower than the temperature indicated to avoid the oil boiling too violently.
- Check that the food is thinly sliced and of even thickness, as food which is too thick cooks badly on the inside, despite looking nice, while food of an even thickness reaches the ideal cooking point all at the same time.
- **Dry the food completely before immersing it in the oil or fat,** as wet food becomes soggy after cooking (especially potatoes). It is advisable to bread or flour food which has a high water content (fish, meat, vegetables), being careful to remove the excess bread or flour before immersing it in the oil.

TEMPERATURE AND COOKING TIME

Remember that the cooking temperatures and times are approximate, and will vary according to the quantity of food being fried and to individual tastes.

Food	Max. quantity		Temperature		Time (minutes)
	gr	lb	°C	°F	
FRIED POTATOES half portion	500	1	190	370	7 - 8
whole portion	1000	2	190	370	14 - 16
APPETIZER AND SNACKS					
Crispy Shrimp Balls	750	1.5	160	320	7 - 8
Zesty Meatballs	500	1	170	340	6 - 7
Chicken and Vegetable Egg Rolls	250	0.5	170	340	4 - 5
Fried wontons	250	0.5	170	340	3 - 4
MAIN DISHES					
Crispy Fried Chicken Pieces	500-750	1-1.5	170	340	20 - 25
Sweet and Sour Chicken Balls	500	1	170	340	3 - 4
Clams, Oysters, Scallops, Shrimps	750-1kg	1.5 - 2	160	320	5 - 6
Veal Parmesan	500	1	170	340	6 - 7
Batter-Fried Fish	500	1	160	320	9 - 10
Crispy Fish Fillets	500	1	160	320	8 - 9
Chicken Fingers	500	1	170	340	3
Sesame-Nut Chicken	250	0.5	170	340	5 - 6
VEGETABLES AND SIDE DISHES					
Potato Puffs	500	1	190	370	3 - 5
Fried Potato Wedges	500	1	190	370	12-15
Vegetable Fritters Parmesan	250	0.5	150	300	3 - 5
Crispy Onion Rings	500	1	150	300	3 - 5
DESSERTS					
Yeast Doughnuts	500	1	190	370	4 - 5
Fruit Fritters	500	1	190	370	4 - 6

OPERATING FAULTS

FAULT	CAUSE	REMEDY
Bad smell	The odour-eater filter is saturated. The oil has deteriorated. The cooking liquid is unsuitable.	Replace the filter. Replace the oil or fat. Use a good peanut oil.
The oil overflows	The oil has deteriorated and causes too much foam. You have immersed food which is not sufficiently dry in the hot oil. The basket has been immersed too quickly. The oil level in the deep fryer is over the maximum limit.	Replace the oil or fat. Dry the food well. Immerse it slowly. Reduce the amount of oil In the boiler pan.
The oil does not heat up	The deep fryer has previously been used without oil in the boiler pan, causing the thermal safety device to break.	Contact the Service Centre (the device must be replaced).
Only half of the basket has fried properly.	The basket does not rotate during cooking.	Clean the bottom of the boiler pan. Clean the basket wheel guide ring.

This warranty applies to all products with De'Longhi or Kenwood brand names.

Limited Warranty

What does the warranty cover?

We warrant each appliance to be free from defects in material and workmanship. Our obligation under this warranty is limited to repair at our factory or authorized service center of any defective parts or part thereof, other than parts damaged in transit. In the event of a products replacement or return, the unit must be returned transportation prepaid. The repaired or new model will be returned at the company expense.

This warranty shall apply only if the appliance is used in accordance with the factory directions, which accompany it, and on an Alternating current (AC) circuit.

How long does the coverage last?

This warranty runs for one year (1) from the purchase date found on your receipt and applies only to the original purchaser for use.

What is not covered by the warranty?

The warranty does not cover defects or damage of the appliance, which result from repairs or alterations to the appliance outside our factory or authorized service centers, nor shall it apply to any appliance, which has been subject to abuse, misuse, negligence or accidents. Also, consequential and incidental damage resulting from the use of this product or arising out of any breach of contract or breach of this warranty are not recoverable under this warranty. Some states do not allow the exclusion or limitation of incidental or consequential damage, so the above limitation may not apply to you.

How do you get service?

If repairs become necessary, see contact information below:

U.S. Residents:

Please contact our toll free hotline at 1-800-322-3848 or log onto our website at www.delonghi.com.
For all accessories, spare parts or replacement parts, please contact our parts division at 1-800-865-6330.

Residents of Canada: Please contact our toll free hotline at 1-888-335-6644 or log onto our website at www.delonghi.com.

Residents of Mexico: Please refer to the Limited Warranty statement for Mexico.

Please refer to the back page of the manual for De'Longhi addresses.

The above warranty is in lieu of all other express warranties and representations. All implied warranties are limited to the applicable warranty period set forth above. This limitation does not apply if you enter into an extended warranty with De'Longhi. Some states do not allow limitations on how long an implied warranty lasts, so the above exclusions may not apply to you. De'Longhi does not authorize any other person or company to assume for it any liability in connection with the sale or use of its appliance.

How does state law apply?

This warranty gives you specific legal rights, and you may also have other rights, which vary from state to state.

ADVERTENCIAS IMPORTANTES

Cuando use aparatos eléctricos, debe respetar algunas normas de seguridad fundamentales, entre las que se incluyen las siguientes:

1. Lea todas las instrucciones.
2. No toque las superficies calientes. Utilice los las asas específicas.
3. Para evitar descargas eléctricas no introduzca la clavija ni el aparato en el agua o en otros líquidos.
4. Cuando el aparato es usado por o con niños en las proximidades, extreme las precauciones.
5. Desenchufe el aparato de la corriente cuando no lo use o antes de limpiarlo. Deje enfriar el aparato antes de montar o desmontar partes de éste y antes de limpiarlo.
6. No haga funcionar el aparato con el cable o la clavija estropeados, o si se ha producido algún funcionamiento incorrecto, o si el aparato resulta en cualquier modo estropeado. Lleve el aparato al centro de asistencia autorizado más cercano para que lo examine o repare.
7. El uso de accesorios no recomendados por el fabricante puede provocar daños.
8. No use el aparato al aire libre.
9. No deje que el cable de alimentación cuelgue en la superficie sobre el que está apoyado o que entre en contacto con superficies calientes.
10. No coloque el aparato sobre o cerca de hornillos calientes de gas o eléctricos, ni lo introduzca en el horno cuando esté aún caliente.
11. Extreme las precauciones si debe mover el aparato con aceite u otros líquidos calientes.
12. Antes de nada conecte la clavija al aparato, a continuación enchufe el cable a la corriente. Para apagarlo, desenchufe el aparato de la corriente.
13. No utilice este aparato para objetivos que sean distintos a los objetivos para los que ha sido concebido.
14. Asegúrese de que el asa esté correctamente montada y fijada en la cesta.

CONSERVE ESTAS INSTRUCCIONES

ESTE PRODUCTO ESTÁ DESTINADO EXCLUSIVAMENTE AL USO DOMÉSTICO

ADVERTENCIAS

- **Encienda la freidora únicamente después de haberla llenado con aceite o grasa.** La freidora se estropearía gravemente si se encendiese en seco.
- Si se calienta en vacío, interviene un dispositivo de seguridad térmico que bloquea el funcionamiento.
- Enchufe el cable a un enchufe de 120 vol c.a.
- Si el aparato está equipado con una clavija de seguridad polarizada (una clavija con un terminal más largo que el otro), dicha clavija entrará en el enchufe únicamente en un sentido. Esta es una característica de seguridad. Si la clavija no entra completamente en el enchufe, pruebe a introducirla en el otro sentido. En última instancia, si la clavija resultase inadecuada para el enchufe, llame a un electricista para la sustitución de un enchufe de tipo obsoleto. No altere el sistema de protección de la clavija polarizada.
- Limpie correctamente el aparato antes de usarlo por primera vez: la cubeta, la cesta, la tapadera (sin filtro) con agua caliente y detergente lavavajillas. A continuación, séquelos meticulosamente.
- Si detecta pérdidas de aceite, póngase en contacto con un centro de asistencia técnica o con el personal autorizado por el fabricante.
- Para garantizar un funcionamiento en condiciones de seguridad, no introduzca alimentos demasiado grandes o utensilios en la freidora.
- Sin la oportuna vigilancia, no permita a niños usar este aparato.
- No deje que niños jueguen con el aparato.
- Para evitar posibles quemaduras, no toque ninguna parte metálica, porque podría estar muy caliente: use guantes adecuados.
- No abra la portezuela del grifo de vaciado aceite (si previsto), si el aceite está aún caliente.
- Es perfectamente normal que se desprenda un olor "a nuevo" del aparato después de usarlo por primera vez. Si ello ocurriese, ventile el ambiente.
- Cuando el aparato no está funcionando y antes de limpiarlo, asegúrese de que esté desenchufado de la corriente.

No use cables alargadores

El aparato cuenta con un cable de alimentación corto para disminuir los riesgos derivados de retorcimientos del cable.

SI LA FREIDORA ESTÁ EQUIPADA CON UN CONECTOR MAGNÉTICO

Conecte ante todo el conector magnético al aparato siguiendo las indicaciones de la figura 17, asegurándose de que la parte sobresaliente del conector (X) encaje correctamente en el alojamiento específico del aparato y a continuación enchufe el cable a la corriente.

ADVERTENCIA

No deje nunca el aparato enchufado a la corriente si el conector magnético no está colocado en la freidora,

ADVERTENCIA

UNA FREIDORA QUE CAE DESDE ARRIBA PUEDE PROVOCAR GRAVES QUEMADURAS. NO DEJE QUE EL CABLE CUELGUE POR EL BORDE DE LA SUPERFICIE SOBRE LA QUE ESTÁ APOYADA LA FREIDORA, UN NIÑO PODRÍA FÁCILMENTE COGERLO O SER DE ESTORBO PARA EL USUARIO. NO USE ALARGADORES.

DESCRIPCIÓN DEL APARATO

(consulte el dibujo de la página 3)

- A. Mango del cesto
- B. Cursor del mango
- C. Tapa
- D. Portillo
- E. Tapadera
- F. Cesto
- G. Gancho tapadera filtro
- H. Alojamiento del cable
- I. Asa para levantar el aparato
- J. Tapón tubito de drenaje
- K. Sostenes
- L. Tubito de drenaje aceite
- M. Indicador luminoso
- N. Manopla termostato
- O. Portillo para el alojamiento del tubito de drenaje
- P. Botón abertura
- Q. Visor cuentaminutos (no en todos los modelos)
- R. Botón cuentaminutos (no en todos los modelos)

INSTRUCCIONES PARA EL USO

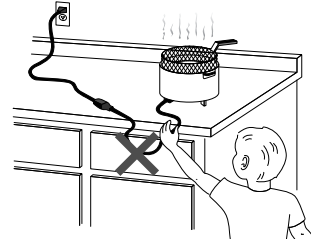
Llenado con aceite o grasa

- Levantar el cesto (F) hasta la posición más alta tirando hacia arriba el específico mango "A" (fig. 1).

La operación de subir y bajar el cesto se realiza

figura 18. Si el conector magnético sobresale de su alojamiento, compruebe que esté colocado correctamente (consulte la figura 17. Si el problema persiste, póngase en contacto con un centro de asistencia autorizado. Cuando el aparato está encendido, deje siempre algún espacio libre alrededor del conector magnético para impedir que se desconecte. Utilice exclusivamente cables del tipo TA-35PA o LT-512 suministrados por un centro de asistencia autorizado De'Longhi.

MANTÉNGASE FUERA DEL ALCANCE DE LOS NIÑOS.



SIEMPRE con la tapa cerrada.

- Abrir la tapa "C" apretando el botón "P" (fig.2)
- Sacar el cesto tirándolo hacia el alto (fig.3).
- Verter en el recipiente 1,2 l de aceite (o sino 1 Kg. de grasa).

ATENCIÓN: El nivel tiene que encontrarse siempre entre las referencias máximo y mínimo.

No usar nunca la freidora con aceite por debajo del nivel "min", esto puede causar la intervención del dispositivo de seguridad térmico, para su sustitución es necesario dirigirse a un centro autorizado nuestro.

Los mejores resultados se obtienen usando un buen aceite de semillas de cacahuete. No mezclar diferentes tipos de aceite. Si se usan cubos de grasa sólida, cortarla en pequeños pedazos para que la freidora no caliente a seco los primeros minutos. Programar la temperatura a 150°C hasta que toda la grasa se haya licuado, sólo a continuación se podrá pasar a la temperatura deseada.

PARA FREÍR

1. Colocar los alimentos a freír en el cesto, sin sobrecargarlo (máx 1 kg. de patatas frescas). Para obtener una fritura más homogénea, se aconseja disponer los alimentos a lo largo del perímetro del cesto, dejando más vacía la parte central.
2. Introducir luego el cesto en la cuba en posición subida (fig. 3) y cerrar la tapa presionando suave-

mente hasta que disparen los ganchos. Para evitar que salgan salpicaduras de aceite caliente, cerrar siempre la tapa antes de bajar el cesto.

3. Enchufe el aparato a la corriente y colocar el cursor del termostato "N" en la temperatura deseada (fig. 4). Cuando se alcanza la temperatura deseada, el indicador luminoso "M" se apaga.
 4. Una vez apagado el indicador luminoso, sumergir inmediatamente el cesto en aceite, bajando lentamente el mango después de haber deslizado hacia atrás el cursor "B".
- Es del todo normal que inmediatamente después de esta operación, salga de las ranuras de la tapa del filtro "E", una notable cantidad de vapor muy caliente.
 - Al inicio de la cocción, inmediatamente después de haber sumergido los alimentos en aceite, el interior del portillo "D" (donde es suministrado) se cubrirá de vapor, que luego desaparecerá progresivamente.
 - Es normal que durante el funcionamiento se formen unas gotas de condensación cerca del mango del cesto.

EN LOS MODELOS EQUIPADOS CON MINUTERO ELECTRÓNICO

1. Plantear el tiempo de cocción apretando el botón "R", el visor "Q" visualizará los minutos planteados.
2. Inmediatamente después, las cifras comenzarán a centellar, esto significa que el tiempo de cocción ha comenzado. El último minuto se visualiza en segundos.
3. En caso de error se debe plantear el nuevo tiempo de cocción, manteniendo apretado el pulsante por más de 2 segundos. El visor se ajustará a cero, repetir desde el punto 1.
4. El cuenta minutos indicará la finalización del tiempo de cocción con dos series de bipó bip a intervalos de 20 segundos. Para apagar el avisador acústico basta apretar el botón cuentaminutos "R".

Atención: el minuterero no sirve para apagar el aparato.

Cambio de la pila cuentaminutos (fig. 16)

- Quitar el cuentaminutos de su alojamiento haciendo palanca en el lado superior ver fig. 16A.
- Girar en sentido contrario a las agujas del reloj la tapa de la pila fig. 16 B colocado en la parte posterior del mismo hasta que se desenganche.
- Extraer la pila y cambiarla con otra de las mismas características.

Para deshacerse de la pila, respetar las disposiciones

de ley vigentes para la descarga de productos tóxicos.

FINAL DE LA OPERACIÓN DE FRITURA

Al finalizar el tiempo programado, subir el cesto y controlar si la comida está dorada como se desea.

En los modelos dotados con portillo de inspección, esta operación se puede efectuar a través del mismo, sin abrir la tapadera.

Si se considera que la cocción ha terminado, apagar el aparato llevando el cursor del termostato a la posición "O" hasta escuchar el click del interruptor interno.

Ecurrir el aceite en exceso, dejando el cesto durante algún tiempo en el interior de la freidora, en la posición más alta.

FILTRADO DE ACEITE O GRASA

Aconsejamos que realicen estas operaciones después de cada fritura, ya que las partículas de los alimentos, sobre todo cuando están pasados por pan o harina, quedando en el líquido, tienen tendencia a quemar y, por lo tanto, a provocar una alteración mucho más rápida del aceite o grasa.

Controlar que el aceite esté suficientemente frío, esperar aproximadamente 2 horas.

Modelos con tubo de drenaje

Acercar la parte anterior de la freidora al borde del plano de apoyo, poner atención que los sostenes (K) se encuentren siempre en el interior del mismo plano (fig. 5).

1. Abrir la tapa de la freidora y sacar el cesto (fig. 3).
2. Abrir la ventanilla "O" como indicado en fig. 6.
3. Extraer el tubito de drenaje "L".
4. Sacar el tapón "J" y al mismo tiempo cortar con dos dedos el tubito para evitar que el aceite o la grasa salga, hasta cuando el líquido no esté dirigido a un recipiente (fig. 7).
5. Hacer fluir el aceite o la grasa en un recipiente (fig. 8).
6. Sacar eventuales depósitos de la cuba con el auxilio de una esponja o papel absorbente.
7. Terminada la operación, volver a colocar el tubito de drenaje en su lugar, después de haber puesto el tapón.
8. Volver a colocar el cesto en la posición alta y disponer en el fondo del cesto uno de los filtros que vienen con el aparato (fig. 9). Los filtros pueden encontrarse en un revendedor o en un centro de asistencia nuestro.
9. Volver a verter el aceite o el graso en la freidora muy lentamente para que no desborde del filtro (fig. 10).
10. El aceite, así filtrado, se puede conservar en el interior de la freidora. Sin embargo, si entre una cocción y otra, pasa mucho tiempo, se aconseja conservar el aceite en un recipiente cerrado, para evi-

tar su deterioro. Es buena costumbre conservar separadamente el aceite usado para freír pescado del usado para freír otros alimentos.

En el caso que se use grasa, poner atención a no dejarlo enfriar demasiado, sino se solidifica.



MANTENIMIENTO DEL FILTRO ANTIOLOR

Filtro amovible: con el paso del tiempo el filtro antiolor, situado en el interior de la tapadera, pierde su eficacia. Por consiguiente, le aconsejamos cambiarlo después de 10/15 utilizaciones. Para cambiarlo, quite la rejilla correspondiente cubrefiltro de plástico.

LIMPIEZA

Antes de cualquier operación de limpieza, desenchufar el aparato.

No sumergir nunca la freidora en agua ni ponerla debajo del grifo. Si entrara agua en su interior se producirían descargas eléctricas.

Controlar que el aceite esté suficientemente frío (esperar aproximadamente 2 horas), vaciar el aceite o grasa como descrito anteriormente en el parágrafo "filtrado de aceite o grasa".

Quitar la tapa como indicado en la fig. 13.

La tapa es amovible, para sacarla realizar lo siguiente: empujarla hacia atrás (ver flecha "1", fig.13) y al mismo tiempo tirarlo hacia arriba (ver flecha "2", fig.13).

No poner la tapadera debajo del agua sin haber quitado previamente el filtro.

Para la limpieza de la cuba, actuar del modo siguiente:

- Lavar la cuba con agua caliente y detergente líquido para vajillas, luego enjuagar y secar cuidadosamente (fig. 14).
- Para limpiar el interior del tubo de drenaje, utilizar la escobilla del equipamiento (fig. 15).
- Se aconseja limpiar con regularidad el cesto, tratando de eliminar los depósitos que puedan haberse acumulado en el anillo gu'ra de las ruedas del mismo.
- Secar la parte exterior de la freidora con un paño

suave y húmedo para eliminar las salpicaduras y eventuales salidas de aceite o de condensación.

Modelo con cuba antiadherente

Para la limpieza de la cuba no usar detergentes ni esponjas abrasivas, sino un paño suave con detergente neutro.

CONSEJOS PARA LA COCCIÓN

DURACIÓN DEL ACEITE O GRASA.

El aceite o la grasa no deben estar nunca por debajo del nivel mínimo.

De vez en cuando es aconsejable cambiarlo completamente. La duración del aceite o grasa depende de lo que se fría. Los alimentos empanados, por ejemplo, ensucian el aceite más que la sencilla fritura.

Como ocurre con cualquier freidora, ¡el aceite, si se calienta varias veces, se desgasta!. Por lo tanto, aunque se lo utilice y filtre debidamente, se aconseja cambiarlo completamente con una cierta frecuencia.

Puesto que, esta freidora, funciona con poco aceite, gracias a su cesto giratorio, brinda la gran ventaja de tener que eliminar aproximadamente la mitad del aceite con respecto a las freidoras en el mercado.

PARA FREIR DE MODO CORRECTO

- Es importante mantener por cada receta la temperatura aconsejada. Si la temperatura es demasiado baja, la fritura absorbe aceite. Con una temperatura demasiado alta se forma enseguida la costra y el interior sigue crudo.
- **Los alimentos a freír se deben sumergir sólo cuando el aceite ha alcanzado la justa temperatura, o sea cuando el indicador luminoso se apaga.**
- No sobrecargar el cesto. Esto provocaría la disminución repentina de la temperatura del aceite y por tanto una fritura demasiado grasa y no uniforme.
- Para freír una pequeña cantidad de alimentos, programar una temperatura para el aceite inferior a la indicada para evitar borboteos del aceite.
- Controlar que los alimentos sean finos y tengan igual espesor, ya que los alimentos demasiado gruesos se cuecen mal en el interior, a pesar de tener un buen aspecto, mientras que los de espesor uniforme alcanzan al mismo tiempo la cocción ideal.
- **Secar perfectamente los alimentos antes de sumergirlos en aceite o grasa,** ya que los alimentos húmedos quedarán blandos después de la cocción (sobre todo si se trata de patatas). Se aconseja empanar o enharinar los alimentos muy ricos en agua (pescado, carne, verduras) cuidando eliminar el pan o la harina excesiva antes de sumergirlos en aceite.

TEMPERATURAS Y TIEMPOS DE COCCION

Considerar que el tiempo y la temperatura son aproximativos y deben ser reguladozs según la cantidad de comida que se desea freir y el gusto personal.

Alimento	Cantidad máx.		Temperatura		Tiempo (min)	
	gr	lb	°C	°F		
PATATAS FRITAS	media ración	500	1	190	370	7 - 8
	una ración	1000	2	190	370	14 - 16
ENTRADAS Y APERITIVOS						
	Albóndigas de Camarones Crujientes	750	1.5	160	320	7 - 8
	Albóndigas Sabrosas	500	1	170	340	6 - 7
	Arrollados de Huevo con Pollo y Verduras	250	0.5	170	340	4 - 5
	Wontons fritos	250	0.5	170	340	3 - 4
PLATO PRINCIPAL						
	Porción de Pollo Frito Crujiente	500-750	1-1.5	170	340	20 - 25
	Albóndigas de Pollo Agridulces	500	1	170	340	3 - 4
	Almejas, Ostras, Vieiras, Camarones	750-1kg	1.5 - 2	160	320	5 - 6
	Parmessano Vacuno	500	1	170	340	6 - 7
	Pescado Rebozado Frito	500	1	160	320	9 - 10
	Filetes de Pescado Crujientes	500	1	160	320	8 - 9
	Bastoncitos de Pollo	500	1	170	340	3
	Pollo con Sésamo	250	0.5	170	340	5 - 6
VERDURAS Y GUARNICIONES						
	Bolitas de Papas	500	1	190	370	3 - 5
	Papas Fritas en Cuñas	500	1	190	370	12-15
	Parmessano de Verduras Fritas	250	0.5	150	300	3 - 5
	Aros de Cebollas Crujientes	500	1	150	300	3 - 5
POSTRES						
	Roscas de Levadura	500	1	190	370	4 - 5
	Buñuelos de frutas	500	1	190	370	4 - 6

DESPERFECTOS

ANOMALÍA	CAUSA	REMEDIOS
Emanación de malos olores	El filtro antiolores está lleno. El aceite está deteriorado. El Líquido de cocción no es adecuado.	Cambiar el filtro. Cambiar aceite o grasa. Usar un buen aceite de semillas de cacahuete.
El aceite sobresale	El aceite está deteriorado y forma demasiada espuma. Se ha sumergido en el aceite caliente alimentos no suficientemente secos. Se ha sumergido el cesto demasiado rápidamente. El nivel de aceite en la freidora excede el límite máximo.	Cambiar aceite o grasa. Secar bien los alimentos. Sumergirlo lentamente. Reducir la cantidad de aceite en la cuba.
El aceite no se calienta	Se ha puesto en funcionamiento la freidora anticipadamente sin aceite en la cuba, causando la rotura del protector térmico.	Dirigirse al Servicio Asistencia (se tiene que sustituir el dispositivo).
La fritura ha salido bien sólo a mitad del cesto	El cesto no gira durante la cocción.	Limpiar el fondo de la cuba Limpiar el anillo guía de las ruedas del cesto.

Esta garantía cubre todos los productos con las marcas De'Longhi o Kenwood.

Garantía limitada (para los Estados Unidos solamente)

Alcance de la garantía

Cada artefacto tiene garantía por defectos de materiales y de fabricación. Bajo los términos de esta garantía limitada, nuestra obligación se limita a la reparación de partes o componentes (a excepción de partes dañadas durante el transporte) en nuestra fábrica o en un centro autorizado de servicio. Al devolver un producto para cambio o reparación, todos los costos de envío deben ser pagados por el propietario del mismo. El producto nuevo o reparado será devuelto con los gastos de envío pagados por la compañía.

Esta garantía es válida únicamente si el artefacto se utiliza de acuerdo con las instrucciones del fabricante (incluidas con el artefacto) y alimentada eléctricamente con corriente alterna (CA).

Duración de la garantía

Esta garantía es válida por un (1) año a partir de la fecha de compra que figura en el recibo o factura de venta de la unidad, y sólo el comprador original tiene derecho a hacer uso de la garantía.

Exclusiones de la garantía

La garantía no cubre defectos ni daños que fueran consecuencia de reparaciones o modificaciones efectuadas al artefacto por personal ajeno a nuestra fábrica o a centros autorizados de servicio, ni cubre fallas o daños causados por maltrato, uso indebido, negligencia o accidentes. Esta garantía tampoco reconocerá reclamos efectuados por perjuicios directos ni indirectos emergentes del uso del producto, ni perjuicios o daños resultantes del uso del producto en incumplimiento de los términos y condiciones que hacen válida la garantía. En algunos estados no se permiten exclusiones ni limitaciones de los perjuicios reconocidos por una garantía, por lo cual las limitaciones mencionadas podrían ser no válidas en su caso particular.

Obtención de servicios de garantía

Si las reparaciones son necesarias, vea la información de contacto que aparece a continuación:

Residentes de los Estados Unidos: Por favor contactar a nuestra línea telefónica gratuita, al 1-800-322-3848 o ingrese a nuestro sitio en el Internet www.delonghi.com. Para todos los accesorios, piezas de repuesto o de reemplazo, por favor contactar a nuestra división de piezas, al 1-800-865-6330.

Residentes de Canadá: Por favor contactar a nuestra línea telefónica gratuita, al 1-888-335-6644 o ingrese a nuestro sitio en el Internet www.delonghi.com <<http://www.delonghi.com/>>.

Residentes de México: Refiera por favor a la garantía limitada para México.

Por favor vea la página trasera donde encontrará las direcciones de De'Longhi.

La garantía explicada anteriormente se ofrece en reemplazo de cualquier otra garantía, sea expresa u ofrecida de cualquier otra manera, y toda garantía implícita del producto estará limitada al período de duración mencionado anteriormente. Esta limitación queda anulada y es reemplazada por otros términos si el usuario decide obtener una garantía prolongada de De'Longhi. En algunos estados no se permiten limitaciones del período de garantía implícita, por lo cual las limitaciones mencionadas anteriormente podrían no ser válidas en su caso particular. De'Longhi no autoriza a ninguna otra persona ni compañía a ofrecer ningún tipo de garantía ni responsabilidad con respecto al uso o a los términos de venta de sus artefactos.

Leyes estatales/provinciales

Esta garantía le confiere derechos establecidos por ley, pero usted también podría tener otros derechos que varían de un estado a otro.

Esta garantía cubre todos los productos con las marcas De'Longhi o Kenwood.

GARANTIA
GARANTIA Limitada
(para México solamente)

DESCRIPCIÓN Y MODELO: FREIDORA D28313

Garantizamos todo producto DE'LONGHI por defectos de fabricación, material y mano de obra. Nuestra obligación dentro de ésta garantía es proporcionar gratuitamente las refacciones y el servicio durante un año a partir de la fecha de compra. Esta garantía se aplicará únicamente si el producto se utiliza de acuerdo con las instrucciones anexas del fabricante y con un circuito de corriente alterna (ca). Esta garantía reemplaza a cualquier otra garantía y acuerdo, expreso o implícito y a todas las demás obligaciones o responsabilidades de nuestra parte. No autorizamos a ninguna otra persona o compañía a asumir nuestras responsabilidades relacionadas con la venta y el uso de nuestro producto. Esta garantía no implica ninguna responsabilidad de parte nuestra en relación con la venta o el uso de nuestro producto.

Esta garantía no se hará válida en los siguientes casos:

- a) Cuando el producto se hubiese utilizado en condiciones distintas a las normales
- b) Cuando el producto no hubiese sido operado de acuerdo con el instructivo de uso que se le acompaña
- c) Cuando el producto hubiese sido alterado o reparado por personas no autorizadas por el fabricante nacional, importador o comercializador responsable respectivo.

Para hacer efectiva la garantía o si se necesitan reparaciones o refacciones, componentes, combustibles y accesorios llame, con su garantía sellada por el establecimiento, al Centro Nacional de Servicio para proporcionarle una cuenta de mensajería con la cual deberá remitir el producto y garantía. Los gastos que se deriven del cumplimiento de la presente garantía deberán ser absorbidos por el Centro Nacional de Servicio De'Longhi.

Obtención de servicios de garantía

Si las reparaciones son necesarias, vea la información de contacto que aparece a continuación:

Residentes de los Estados Unidos:

Por favor contactar a nuestra línea telefónica gratuita, al 1-800-322-3848 o ingrese a nuestro sitio en el Internet www.delonghi.com.

Para todos los accesorios, piezas de repuesto o de reemplazo, por favor contactar a nuestra división de piezas, al 1-800-865-6330.

Residentes de Canadá: Por favor contactar a nuestra línea telefónica gratuita, al 1-888-335-6644 o ingrese a nuestro sitio en el Internet www.delonghi.com <<http://www.delonghi.com/>>.

Residentes de México: Por favor contactar a nuestra línea telefónica gratuita, al 01 800 711 8805 (lada sin costo) o ingrese a nuestro sitio en el Internet www.delonghi.com <<http://www.delonghi.com/>>.

Centro Nacional de Servicio:

Fiducia Italiana S.A de C.V.
Erasmus Castellanos Quinto
calle B manzana II #29
Col. Educación
C.P. 04400
Deleg. Coyoacán
México D.F.
Lada sin costo: 1800 711 8805

FECHA DE COMPRA