



www.furinno.com

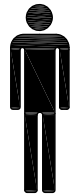
NEED HELP? For replacement requests or product inquiries, please contact our Customer Service Team by emailing us at support@furinno.com. Thank you for selecting Furinno!

SF809N3

Furinno Retro Vintage Loveseat Sofa



30 min




x 2

USEFUL HINTS BEFORE YOU START:

1. Read each step carefully before starting.
2. It is important that each step is performed in correct order to avoid difficulties.
3. Identify, sort and count the parts before assembly.
4. Assemble your furniture on packaging cardboard to prevent scratch or damage.
5. Clean the product with mild cleanser using soft dampened cloth. Do not use harsh/abrasive cleanser.
6. Using incompatible hardware might cause damage to product.

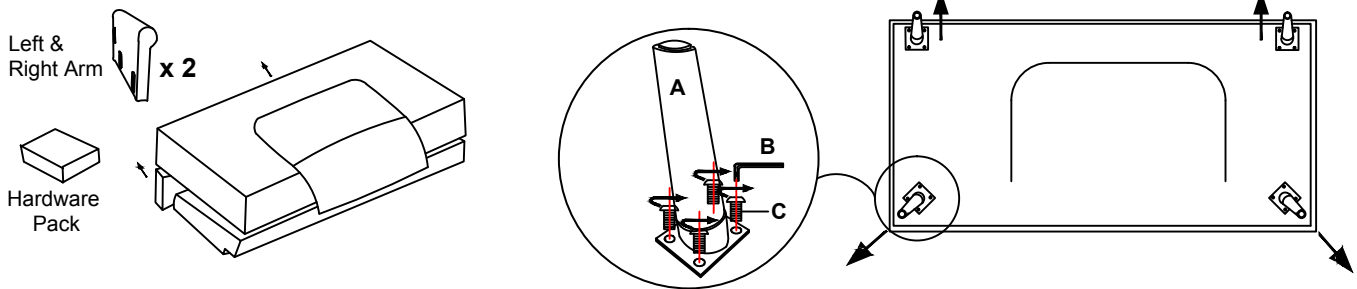
HARDWARE LIST :

A		4PCS	B		1PC	C		16PCS
----------	---	------	----------	---	-----	----------	---	-------

ASSEMBLY INSTRUCTION

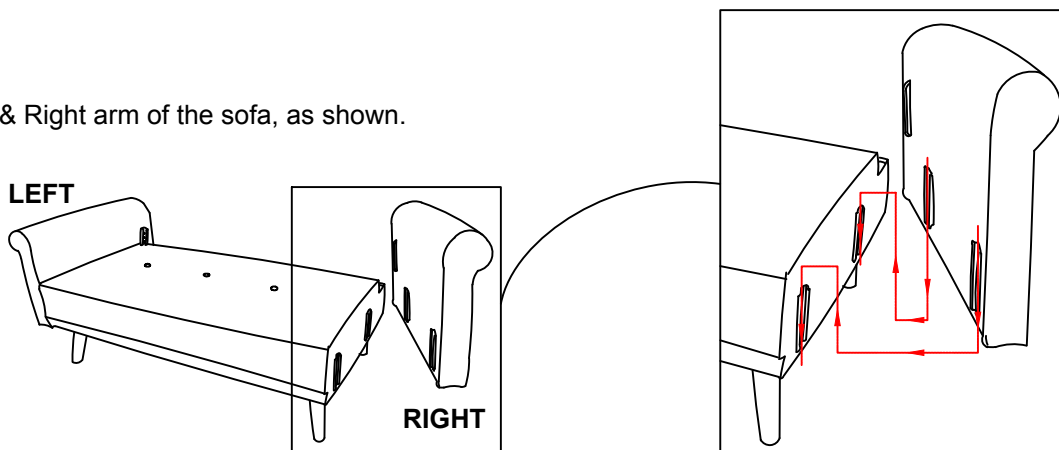
STEP 1:

Sort the parts before assembly. Attach four Leg (A) to the bottom of sofa with Screw (C) using Allen Key (B).



STEP 2:

Attach the Left & Right arm of the sofa, as shown.



STEP 3:

Attach the back of the sofa to the assemble unit.

