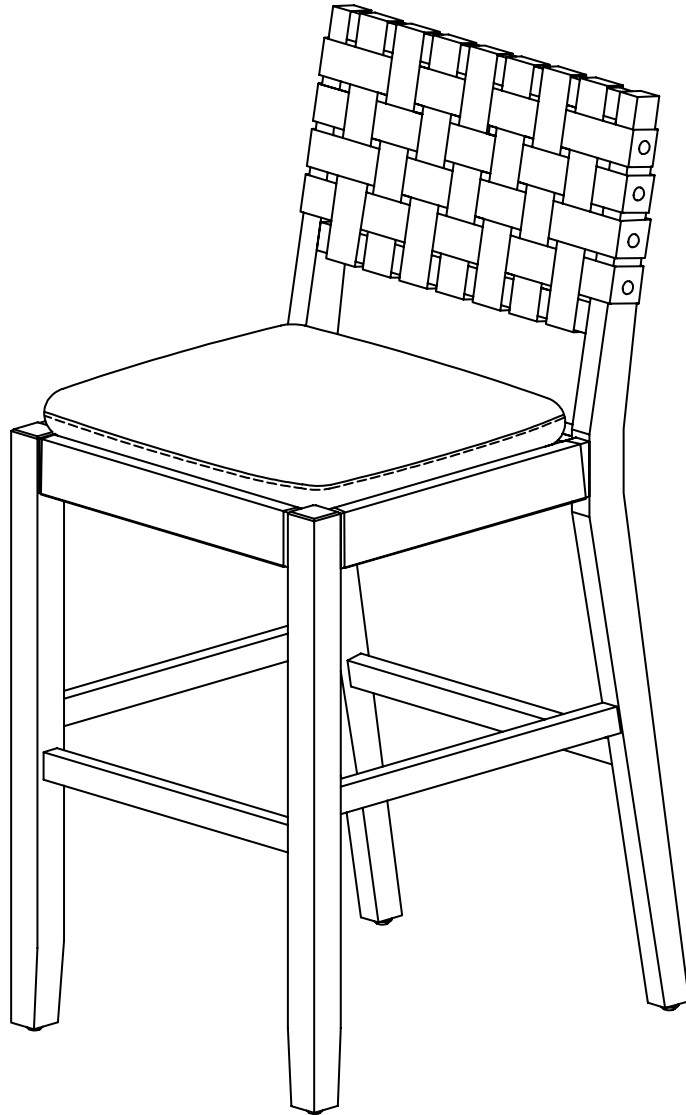


Let's build the

# Cohen Bar Stool

SKU 24510



**Scan me!**

Inspiration  
Digital Instructions  
Free Lifetime Warranty

nathan james

23-0628

# Ok, let's get rolling

This should be easy, just follow our instructions and you will be back to Netflix in no time.

## Estimated time for assembly



25:00

## What you need

- Some of your favorite bubbly or your preferred relaxant
- Use the packaging carton as a working surface to prevent product damage during assembly
- Phillips Head Screwdriver

## Weight Limitation



300  
lbs

Toll-free at 1-866-619-1004  
Help@nathanjames.com  
Nathanjames.com/help

## What's included

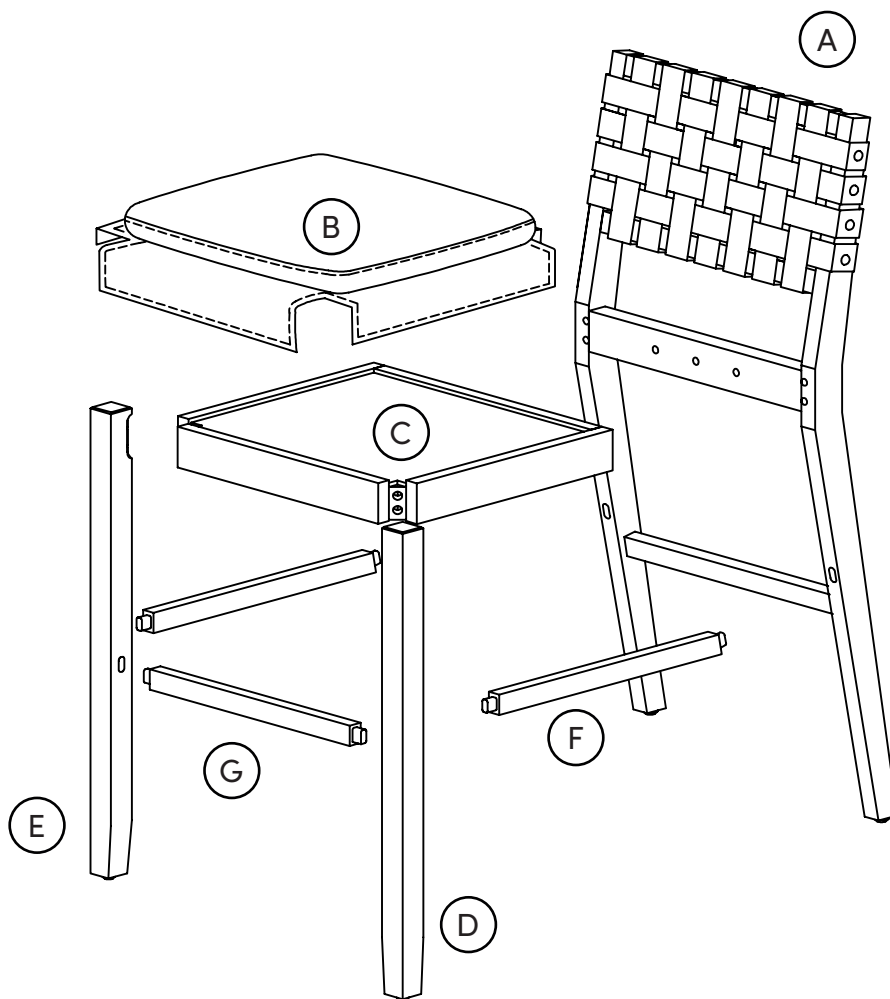
Description	Qty
A Chair Back	1
B Seat Cushion w/ Frame Cover + Velcro	1
C Seat Frame	1
D Front Leg - Right	1
E Front Leg - Left	1
F Side Stretcher	2
G Front Footrest	1
1 1/4 x 1 1/2 inch Hex Button Head Bolt	2
2 1/4 x 2 3/8 inch Hex Button Head Bolt	4
3 1/4 x 3 1/8 inch Hex Button Head Bolt	4
4 1/4 inch Lock Washer	10
5 1/4 inch Flat Washer	10
6 M4x38mm Phillips Head Screw	6
7 Allen Key	1
8 Plastic Nailhead Footpad (Extra)	4

Scan me!

Inspiration  
Digital Instructions  
Free Lifetime Warranty



# The goods



1



2



3



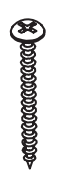
4



5



6



7



8



## IMPORTANT

1. Do not tighten bolts / screws completely until all bolts / screws are lined up and inserted into holes.
2. Do not over tighten screws and bolts to avoid stripping.
3. Please use hand tools to assemble this product. Do not use power tools.



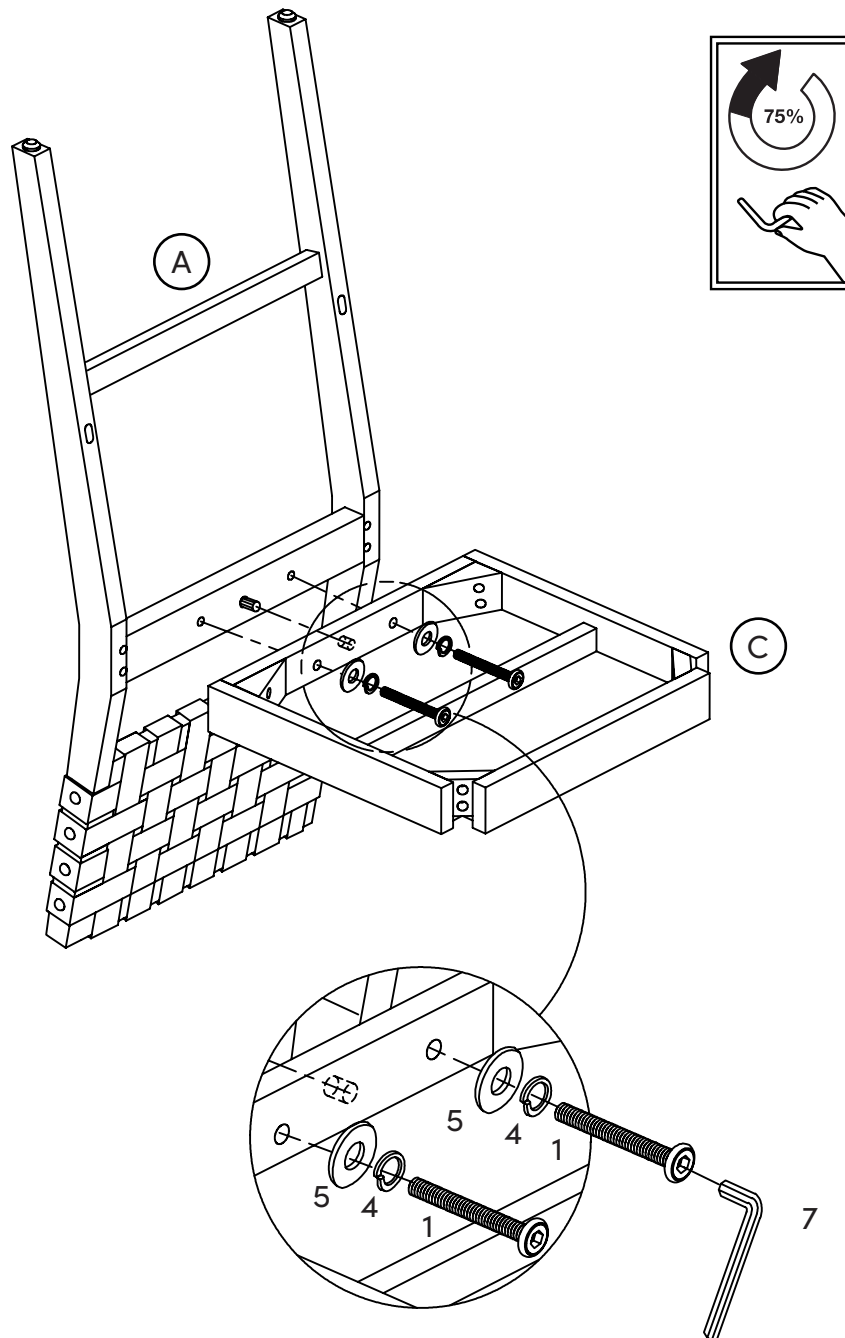
# Step 1

Let's get this thing fired up!

Secure on the Chair Back (A) and the Seat Frame (C) using the 1/4 inch Flat Washer (5), 1/4 inch Lock Washer (4) and 1/4 x 1 1/2 inch Hex Button Head Bolt (1).

We told you this was going to be easy!

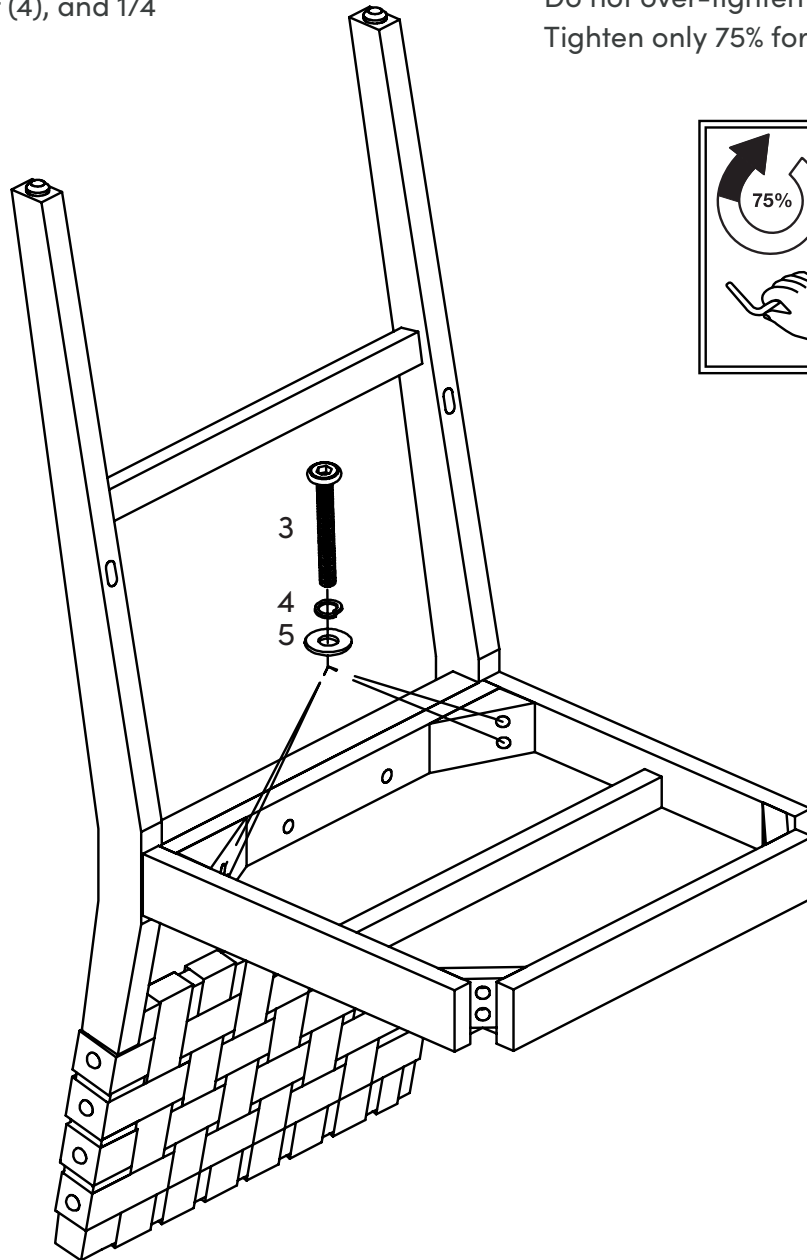
Do not over-tighten hardware!  
Tighten only 75% for now.



# Step 2

Please take a moment to match the sticker on the bottom of the chair back with the sticker on the corner block. Then, secure the Seat Frame (C) using the 1/4 x 3 1/8 inch Hex Button Head Bolt (3), 1/4 inch Lock Washer (4), and 1/4 inch Flat Washer (5).

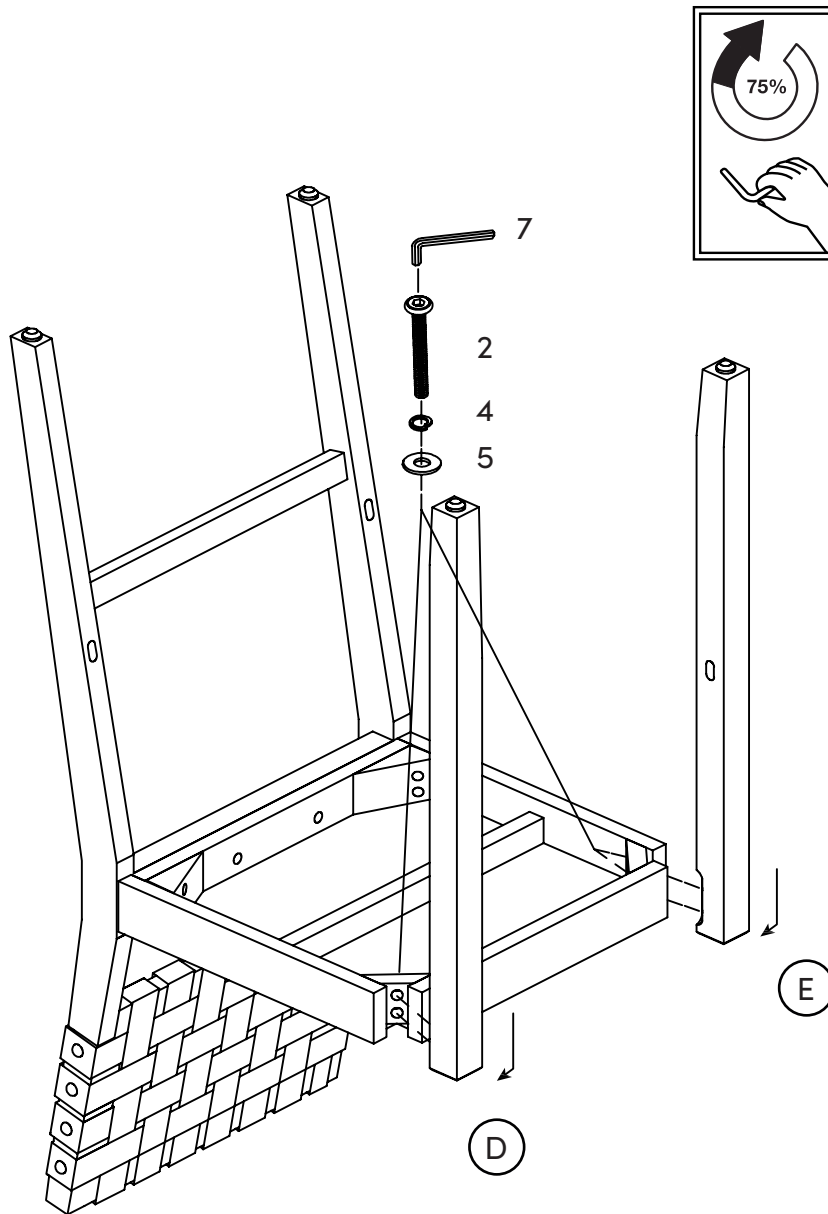
Do not over-tighten hardware!  
Tighten only 75% for now.



# Step 3

Let's secure those Front Legs (D) & (E) in place! Consider this your workout of the day.

Do not over-tighten hardware!  
Tighten only 75% for now.

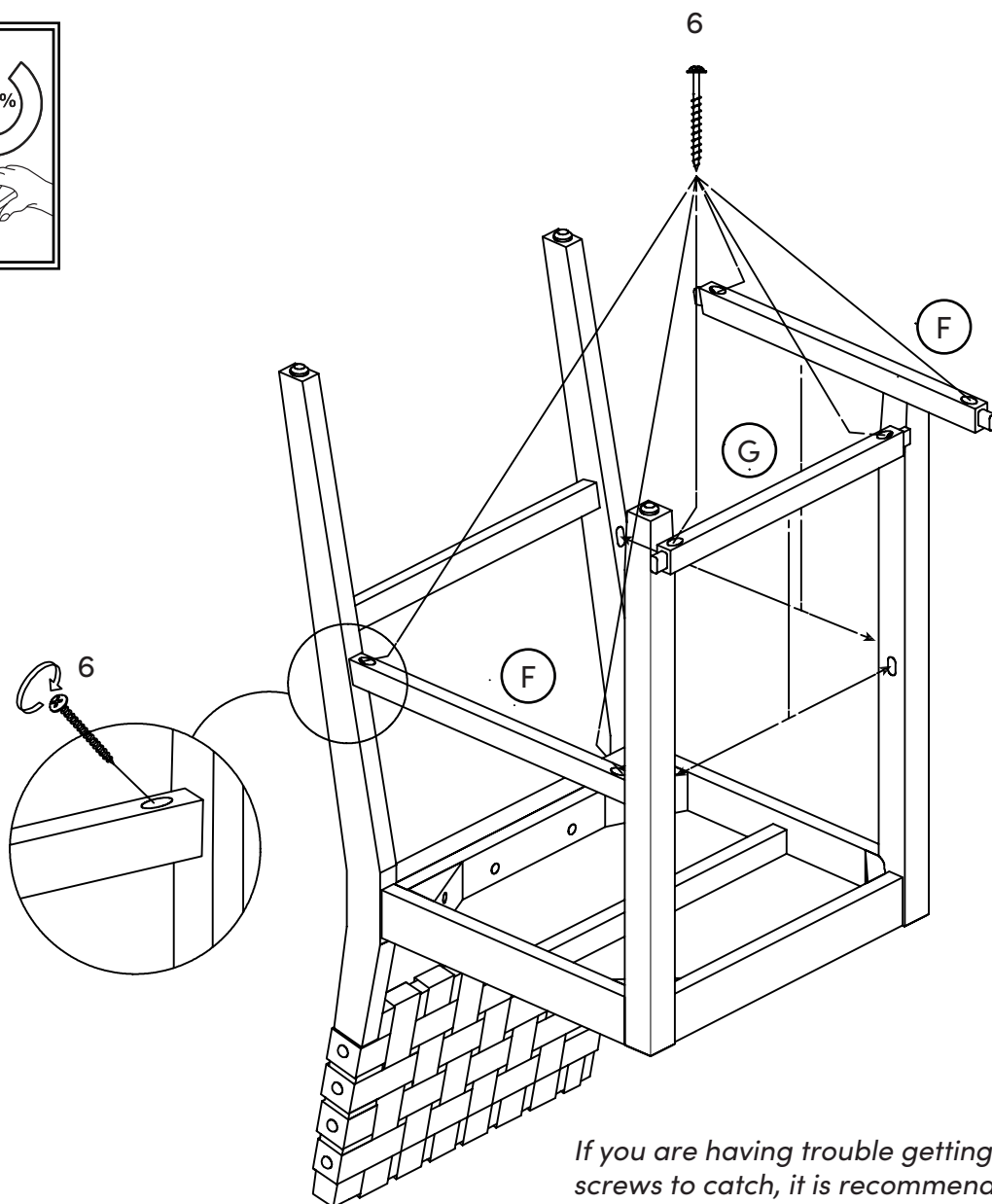
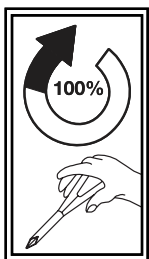


# Step 4

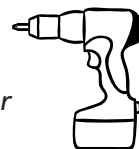
Now, screw on the Front Footrest (G) and Side Stretchers (F).

Only two more steps to go!

You can tighten this step 100%!



*If you are having trouble getting the screws to catch, it is recommended to carefully use an electric screwdriver or drill with necessary bit for this step.*

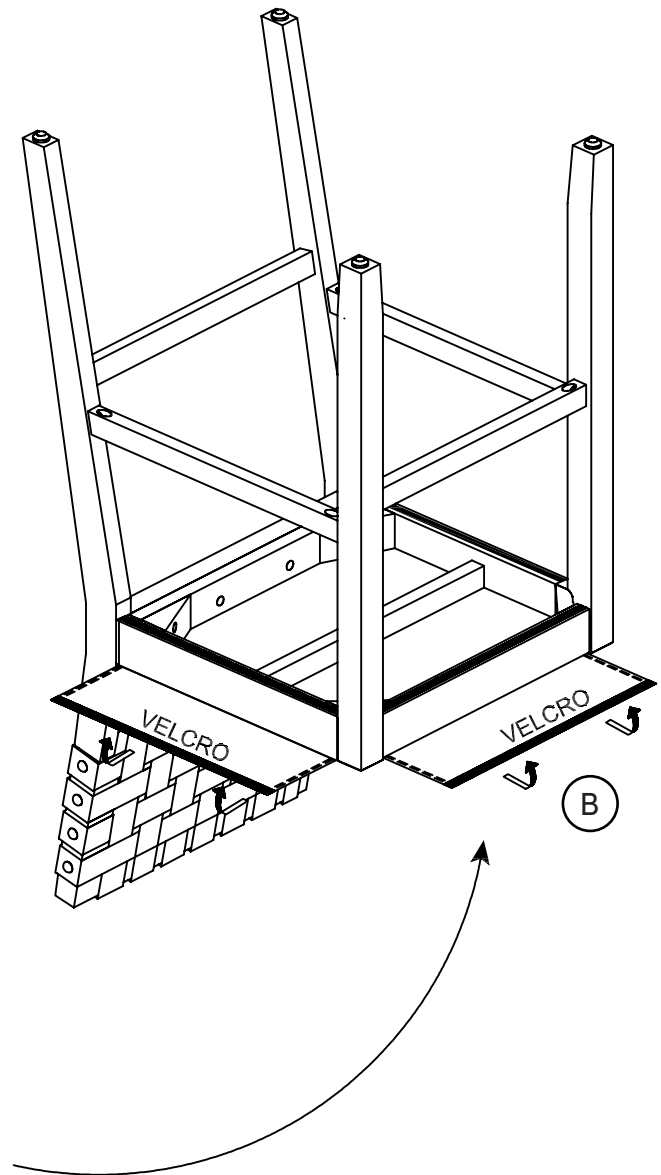
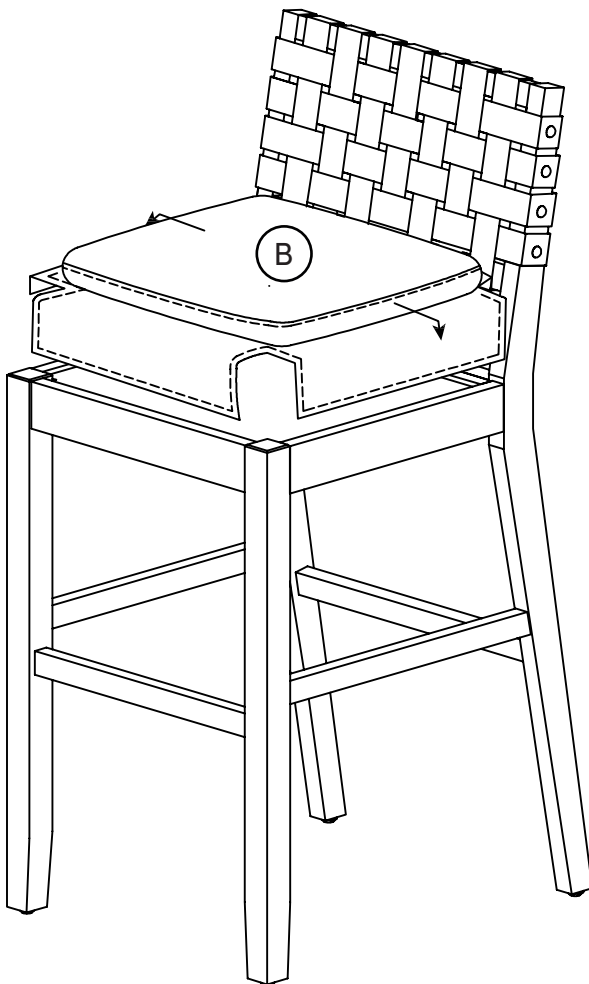


**Do not over-tighten; holes may become stripped.**



# Step 5

First, cover the Seat Cushion w/  
Frame Cover (B) on the face of the  
seat frame and then secure the  
Velcro sides.

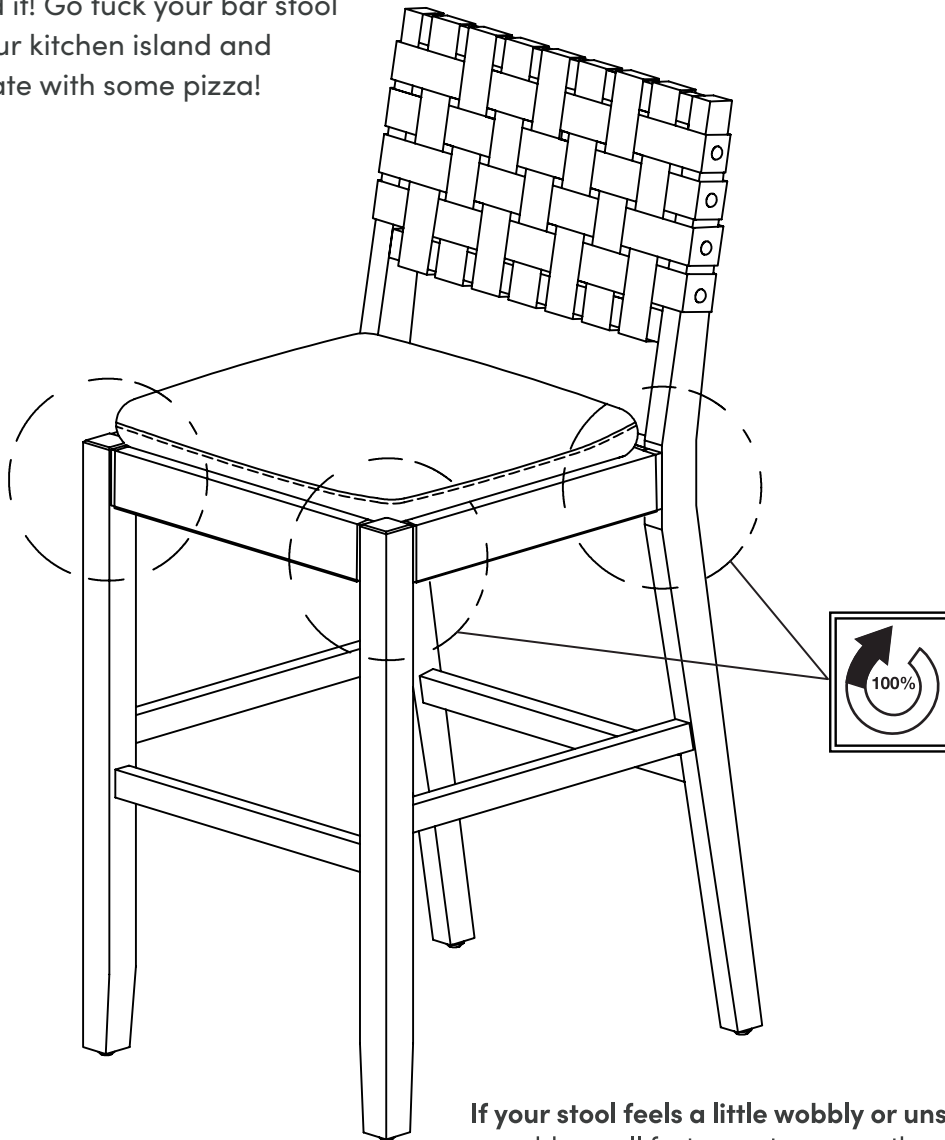




# Step 6

Carefully flip the stool over on a flat surface and make sure the legs are touching the ground evenly before tightening everything to 100%.

You did it! Go tuck your bar stool into your kitchen island and celebrate with some pizza!



**If your stool feels a little wobbly or unstable,** re-address all fasteners to ensure they are 100% tightened.

**If your stool STILL feels a little wobbly or unstable,** try loosening some of the fastener connections slightly in order to allow yourself to re-level all the legs on a flat surface before going back around & re-tightening everything back to 100%.



We want your bar stool to last as long as possible, so we recommend that you tighten the screws 2 weeks after assembly and for added safety check the tightness of all screws every 2 months.



# No heartburn, when we handle the return

Give us a call **1-866-619-1004** or shoot us a message at **help@nathanjames.com** we will issue you a free replacement with **zero hassle**.

## Our way



Give us a call

---



Replacement

---



You

## Their way



Re-package item

---



Schedule pick up

---



Track package

---



Replacement

---



You

We really don't want you to go through the hassle of re-packaging your item and sending it back, because let's be honest...nobody has time for that.



# Safety first, fun later

We want your bar stool to last as long as possible, so we recommend that you tighten the screws 2 weeks after assembly and for added safety check the tightness of all screws every 2 months.

For proper care and treatment of wood and fabric please check our website at [NathanJames.com/products](http://NathanJames.com/products)

## Safe use of this product starts with you.

Use this bar stool responsibly with the primary concern for your safety. Follow assembly instructions carefully and inspect product upon receipt and each use.

Nathan James and its parent companies cannot be held legally responsible for any injuries or death resulted from failure to follow instructions or improper use of this product.

## Do not modify the structure of this product in any way.

Our products have been tested to meet specific safety measures as they were originally intended to be sold. Any modifications will present the risk of creating significant safety issues which NJ will not be responsible for.

## Proper use

- DO NOT** use for commercial purposes
- DO NOT** place on uneven floor or surface
- DO NOT** use as a step-stool or stand on chair
- DO NOT** put hot serving liquid directly on chair
- DO NOT** leave spilled liquid on chair
- DO NOT** use if chair is damaged or broken
- DO NOT** make temporary repairs
- DO NOT** use outdoors



# We are only in business if you're happy

For starters, thanks for being you.

☎ Toll-free at 1-866-619-1004

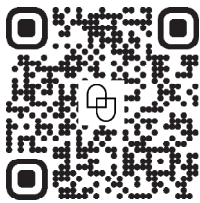
✉ Help@nathanjames.com

🌐 NathanJames.com/help

We do our best to ensure your furniture arrives without any problems, but occasionally mistakes happen—as humans we are imperfect beings. In the event that a part is damaged or missing, we will be more than happy to provide you with replacement part(s) for free.

## Warranty

This product comes with a lifetime warranty from the date of purchase. Please use your phone to scan the QR code to register your product or visit <https://goo.gl/i9dk3q>



### Did we do alright? Please spread the love!

If you are happy with your product, tell your friends and family about us or even better leave us a review online. Spreading the word gives us the opportunity to make more people happy and keep our prices low for your next purchase.

*Brooklyn Burdon*

Founder, Nathan James