

For Professional Technical Support call **1-844-241-5521**

Connecting 230V 2-Speed Pool Pumps to Electrical Power

Everbilt 2-Speed Pool Pumps require 230V power and the ability to control pump speed – high versus low.

Applies to SKU #
1006029330
1006029345

There are two ways to set up a 2-speed pool pump:

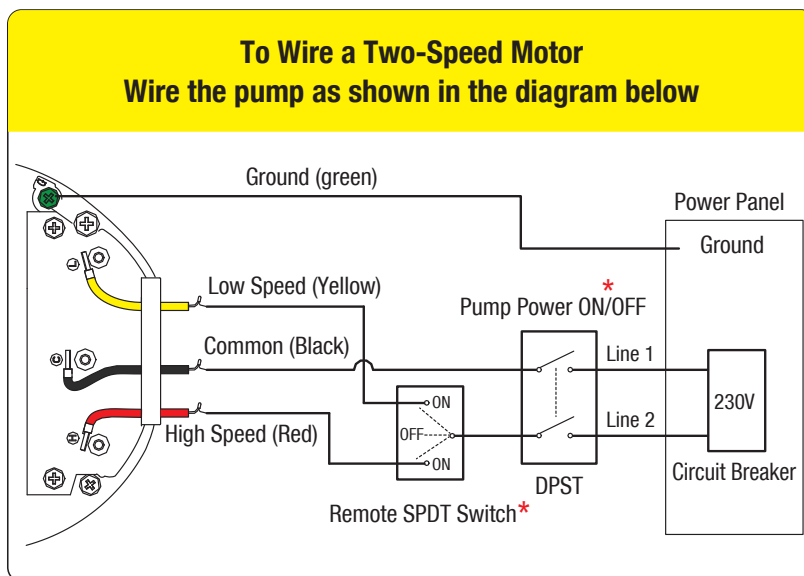
1. Manual switches to control power to the pump **and** to select pump speed.
2. External Timer/Controller to automatically run the pump on a programmed schedule.

*Consult with a licensed electrician for installation.
 Check local building codes related to pool and pool pump installations.*

1) Manual Switches

Manual Switches may be used to control the pump directly including turning power on & off and controlling pump speed.

- For safety, install Pump Power ON/OFF master switch near the pool to control power to the pump.
- When Power is ON, use Pump Speed to select between High and Low speed.
- **Switches not included.**
 - Switches should be rated for minimum 15A, 230V operation.
 - Consider using a weatherproof enclosure when placing switches near a pool.

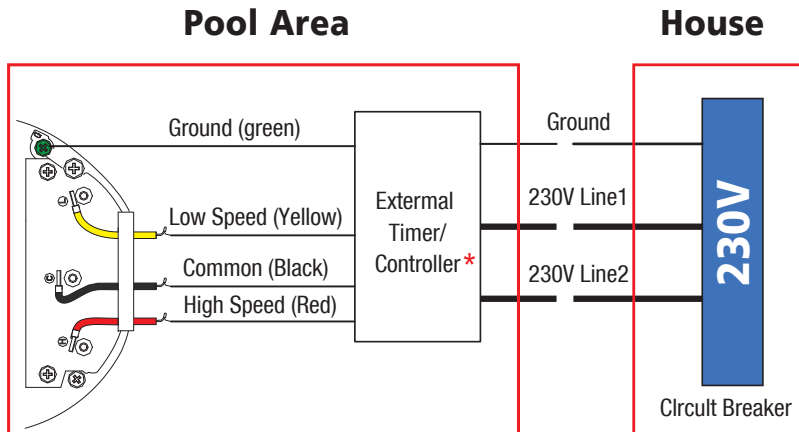


* Switches Not Included.

2) Common External Timer/Controller Installation

External Timer/Controllers suitable for 2-speed pool pumps can be programmed to run the pump at different times of the day **and** take advantage of low-speed operation to save energy while keeping pool water clean.

- **External Timer/Controller not included.**
 - Select an outdoor timer/controller capable of handling 230V and 2-speed control.
 - Follow installation directions for the selected timer/controller.



* External Timer/Controller Not Included.

