

POWER SMITH

WORK LIGHTS

**8000 LUMEN RECHARGEABLE
LED WORK LIGHT**

PVLR8000A

Operator's Manual



**TOLL-FREE
HELP LINE: 888-552-8665**

WWW.POWERSMITHTPRODUCTS.COM

⚠ WARNING: To reduce the risk of injury, user must read and understand this operator's manual before operating this product.

SAVE THIS MANUAL FOR FUTURE REFERENCE



IMPORTANT SAFETY INSTRUCTIONS

READ AND UNDERSTAND ALL WARNINGS, CAUTIONS AND OPERATING INSTRUCTIONS BEFORE USING THIS EQUIPMENT. Failure to follow all instructions listed below may result in electric shock, fire and/or serious personal injury.

⚠ WARNING: TO REDUCE THE RISK OF FIRE, ELECTRIC SHOCK OR PERSONAL INJURY.

- **Do not look directly at the lighted lamps to avoid eye injuries.**
- **Always keep the work light away from any flammable surface or materials.**
- **Always check damaged or worn-out parts before using the work light.** Broken parts will affect the work light operation. Replace or repair the damaged or worn parts immediately. If repairs are needed, consult a professional electrician.
- **Do not use a pressure washer to clean this product.**
- **Do not modify the work light in any way.** Unauthorized modification may impair the function and/or safety and could affect the life of the product. There are specific applications for which the work light was designed.
- **Store the work light in a secure place out of the reach of children.** Inspect it for good working condition prior to storage and before re-use.

SPECIFIC SAFETY INSTRUCTIONS FOR LITHIUM-ION BATTERY POWERED PRODUCTS

This work light is powered by a Lithium-ion battery pack. Lithium-ion batteries are small, compact and ideal for providing long-lasting power to this product. However they must be used and charged properly. Improper use can result in serious injury, fire or death.

⚠ WARNING: NEVER THROW WATER ON A BURNING LITHIUM-ION BATTERY! If a lithium-ion battery does catch on fire, it will burn even more violently when contacted by water. Use a fire extinguisher.

- **Before using the battery charger,** read all instructions and cautionary markings on charger, battery, and product using the battery.
- **Use only the charger** which accompanied your product or direct replacements as listed in this manual. Do not substitute any other charger.
- **Do not recharge the battery in damp or wet environments.** Do not expose the battery pack or battery charger to water or rain.
- **Do not operate the charger with a damaged cord or plug.** Replace it immediately.
- **Do not operate the charger if it has received a sharp blow,** been dropped or otherwise damaged in any way. Take it to a qualified serviceman.
- **Do not disassemble the charger or battery pack.** Take it to a qualified serviceman when service or repair is required. Incorrect reassembly may result in a risk of electric shock or fire.
- **Do not charge the battery pack** when temperature is below 50 degrees F (10 degrees C) or above 104 degrees F (40 degrees C). Store the product and battery pack in a location where temperature will not exceed 122 degrees F (50 degree C). This is important to prevent serious damage to the battery cells.
- **To reduce risk of electric shock,** unplug the charger from the outlet before attempting any maintenance or cleaning.
- **If operating time has become excessively shorter,** stop operating immediately. It may result in a risk of overheating, possible burns and even an explosion.

- **Battery leakage may occur** under extreme usage or temperature conditions. Avoid contact with skin and eyes. If liquid comes in contact with your skin, wash immediately with soap and water. If liquid gets into your eyes, wash them out with clear water for at least 10 minutes, and then seek medical attention right away.
- **Do not attempt to use a step-up transformer**, an engine generator or DC power receptacle.
- **Do not short the battery pack**. Do not touch the terminal with any conductive material. Avoid storing battery pack in a container with other metal objects such as nails, coins, etc. Always protect the battery terminals when battery pack is not used.
- **Do not charge the battery pack inside a box or container of any kind**. The battery must be placed in a well ventilated area during charging.
- **Do not incinerate the battery pack** even if it is severely damaged or is completely worn out. The battery pack can explode in a fire.
- **Disconnect the charger from the power source when not in use**. This will reduce the risk to electric shock or damage to the charger if metal pieces should fall into the opening. It also will help prevent damage to the charger during a power surge.

! WARNING: A battery short can cause a large current flow, overheating, possible burns and even explosion.

SAVE THESE INSTRUCTIONS

IMPORTANT BATTERY INFORMATION: DISPOSING OF THE BATTERY

- Your batteries are LITHIUM-ION rechargeable batteries. Certain Local, State and Federal laws prohibit disposal of these batteries in ordinary trash.
- Consult your local waste authorities for your disposal/recycling options.
- More information regarding battery disposal in U.S. and Canada is available at; <http://www.call2recycle.org/>, or by calling 1-800-822-8837 (1-800-8BATTERY).



SPECIFICATIONS

Model	PVLR8000A
Brightness	8000 / 4000 / 2000 Lumens
Run Time	1.5 / 3 / 6 hours
Color Temperature	5000K Bright White
Battery Pack	Lithium-Ion, 12V, 8.8Ah
Recharge Time	3 Hours
Lighting Modes	High, Medium, Low, Night Light
Tripod Height	29" – 67"
Net Weight	9.5 lb

KNOWING YOUR WORK LIGHT

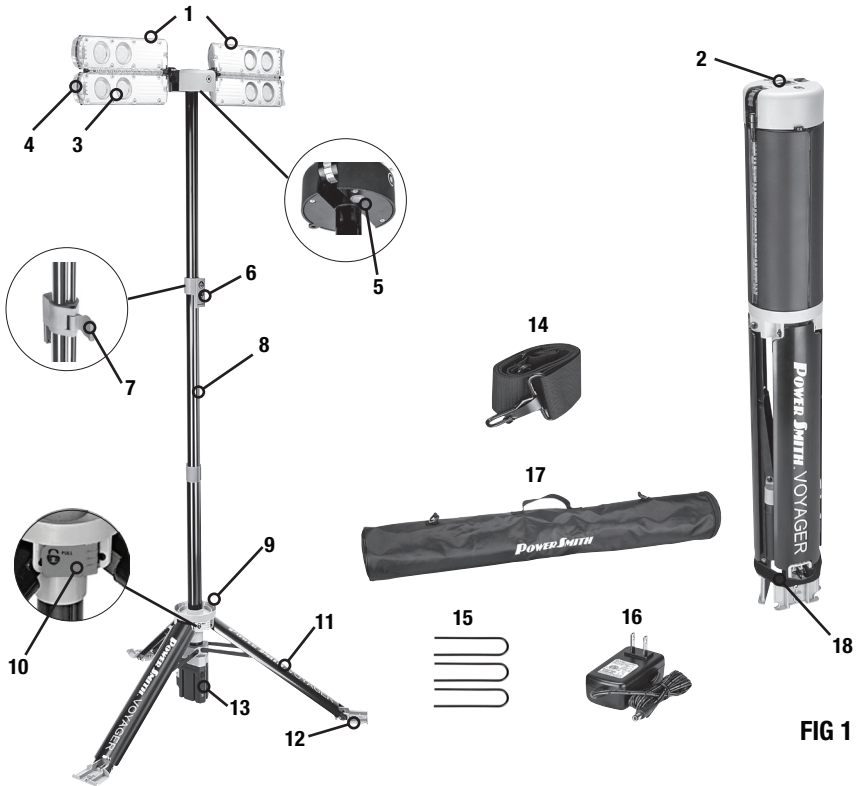


FIG 1

- | | | |
|--------------------------------|-------------------------|---------------------|
| 1. Light Heads | 7. Tripod Locking Clips | 13. Battery Pack |
| 2. Lock Button for Light Heads | 8. Tripod | 14. Shoulder Strap |
| 3. LEDs | 9. Leg Connector | 15. Foot Spikes |
| 4. Night Light LEDs | 10. Leg Locking Clip | 16. Battery Charger |
| 5. On-Board Switch | 11. Tripod Legs | 17. Carrying Bag |
| 6. Remote Control | 12. Anti-Slip Feet | 18. Storage Strap |

UNPACKING AND CONTENT

IMPORTANT! Due to modern mass production techniques, it is unlikely the product is faulty or a part is missing. If you find anything wrong, do not operate the product until the parts have been replaced or the fault has been rectified. Failure to do so could result in serious personal injury.

CONTENTS IN PACKAGE

Description	QTY	Description	QTY
Work Light	1	Battery Pack PVLAB121	1
Battery Charger	1	Foot Spikes	3
Carrying Bag	1	Shoulder Strap	1
Quick Start Guide	1	Operator's Manual	1

ASSEMBLY INSTRUCTION

SETTING UP AND BREAKING DOWN THE LIGHT (FIG 2)

Your work light is fully assembled and ready to use out of the box.

To Set Up the Light: From folded position A to working position D.

1. Unwrap the storage strap (18).
2. Release the leg locking clip (10). See position A.
3. Expand the tripod legs (11) and then lock the leg locking clip. See position B.
4. Place the light head locking button (2) in unlock position, then flip the light heads (1) up. See position C.
5. Release the tripod locking clips (7), raise the tripod (8) and lock the tripod locking clips. See position D.
6. Adjust the light heads (1) to a desired position.

To Break Down the Light: From position D back to position A.

1. Release the tripod locking clips (7), lower tripod all the way down and lock the tripod locking clips.
2. Fold the light heads (1) down in a tube shape.
3. Release the leg locking clip (10).
4. Raise the leg connector (9) until the light heads nest inside.
5. Lock the leg locking clip.
6. Wrap the legs with the storage strap.

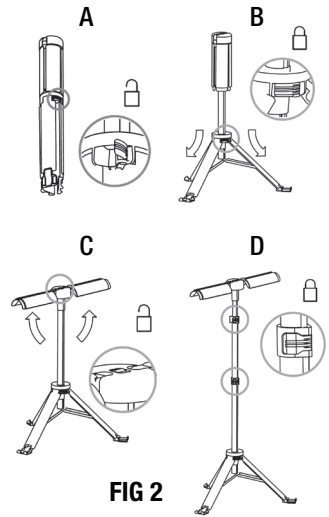


FIG 2

You may also refer to the "QUICK START GUIDE" sheet that is included with the product.

INSTALLING AND REMOVING THE BATTERY PACK (FIG 3)

A 12V lithium-ion battery pack (Model# PVLAB121) is pre-installed under the tripod pole.

NOTE: Remove the insulation tape on the battery terminals before using.

To Remove the Battery Pack from the Light: Slide down the battery locking pin, and then remove the battery as shown in FIG 3.

To Install the Battery Pack: Facing the side of the tripod base with the "battery symbol", slide the battery pack into the battery holder all the way until it locks in place with a click, as shown in FIG 3. Lightly pull on the battery to ensure it is locked into place and will not accidentally fall out.

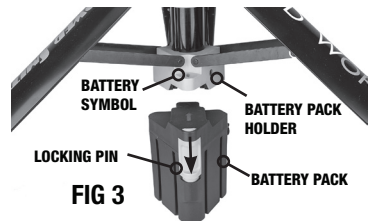


FIG 3

OPERATION

CHARGING THE BATTERY PACK (FIG 4)

1. Plug the battery charger into a power source.
2. Unplug the rubber insert to expose the charging port.
3. Connect the battery charger to the charging port.
4. The battery power indicator will light and show the charging status:
 - Red light flashing: Low power and charging.
 - Yellow light flashing: Over 50% power and charging.
 - Green light flashing: Over 80% power and charging.
 - Solid green light: Fully charged.

You may charge the battery pack either installed or removed from the light. If charging while installed, the light works with maximum brightness at 4000 lumens.

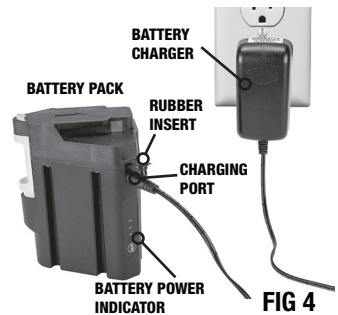


FIG 4

ON-BOARD SWITCH

Your light has a red on-board switch (5-FIG 1). See Figure 1 for its location. This switch turns the light On and Off and controls the light mode. The light mode cycles in the following sequence with each press on the switch:

High - Medium - Low - Night Light - OFF

The switch has a delayed "OFF" function. If a light mode stays on for more than 15 seconds, the next press of the switch will turn off the light.

REMOTE CONTROL (FIG 5)

Your light includes a remote control PARC23 (6-FIG 1). It docks in the middle of the tripod pole.

There are two buttons on the remote. The top one (A) is to turn the light On or Off. The bottom one (B) is to select the light mode among High, Medium, Low, Night Light and Flashing Alert Light.

Slide the remote up to take it off the holder. Always keep it in the holder when not in use.

The maximum control range is approximately 60 feet from the light.

The remote is powered by a 3V Lithium-Ion button battery CR2032L. Remove the four screws on the back cover to replace the battery.



The included remote control has been paired with your LED Work Light at the factory. If you are using a replacement remote control, pairing the remote with the light is needed. Remove the battery pack from the light and reinstall it. Press and hold the On/Off button (A) on the remote for at least 7 seconds until the light turns on. This completes the pairing process and the remote is ready to use.

NOTE: Your light will turn to a sleep mode 24 hours after being turned off to save battery power. Press and hold the On/Off button (A) on the remote control for 2 seconds to awaken the light.

⚠ WARNING: This device complies with part 15 of the FCC Rules. Operation is subject to the following two conditions: (1) This device may not cause harmful interference, and (2) this device must accept any interference received, including interference that may cause undesired operation.

ADJUSTING THE LIGHT HEADS

Your light has four adjustable light heads. They can be configured in dozens of ways to get light where it is needed.

Flipping the Light Heads: Place the lock button (2) in Unlock  position. Flip the light heads on each side up or down to the desired position. Lock the light heads by placing the lock button in Lock  position. See Fig 6 & 7.

Rotating the Light Heads: The light heads are able to rotate 330° around their center axis. See Fig 8.

CAUTION: Do not force the light head. If it stops rotating in one direction, rotate in the other direction to reach the desired position.

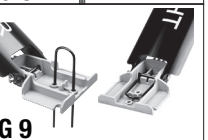
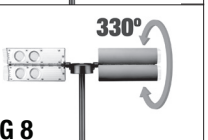
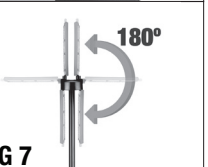
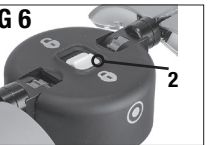
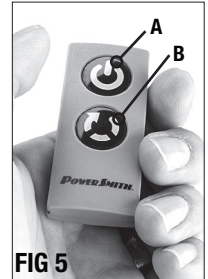
ACCESSORIES

Foot Spikes (FIG 9)

Three foot spikes are included for extra hold in tough conditions. Hammer the foot spike into soft ground through two holes on the foot to give the light extra stability. The foot spike can be stored in the feet as shown in FIG 9.

Shoulder Strap

An adjustable shoulder strap is Included for easy transport.



AC Adaptor (Optional, not included)

The light can be powered by an AC adaptor PVLATF120 (1). See FIG 10.

DC Adaptor (Optional, not included)

The light can be powered by a 18V/20V power tool battery pack (2) from DeWalt®, Milwaukee®, or Makita®, with a DC Adaptor (1). See FIG 11. Refer to the chart below to find which DC adaptor is needed for the battery pack you have.

DC Adaptor Model#	Compatible with
PVLAA20-DW	DeWalt® 20V Lithium-ion battery packs
PVLAA18-MIL	Milwaukee® 18V Lithium-ion battery packs
PVLAA18-MAK	Makita® 18V Lithium-ion battery packs

Disclaimer: DeWalt® is a registered trademark of Stanley Black & Decker. Milwaukee® is a registered trademark of Milwaukee Electric Tool Corp. Makita® is a registered trademark of Makita Corp.



FIG 10

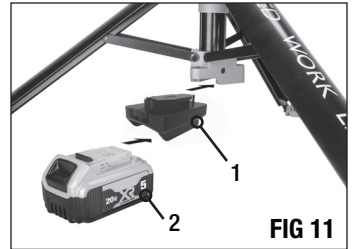


FIG 11

MAINTENANCE

Your work light requires very little care and maintenance. Simply clean the lens regularly with a non-abrasive cleaner.

! WARNING: Always make sure the work light is off or unplugged, and completely cool before attempting to clean it.

WARRANTY

This product is warranted free from defects in material and workmanship for 2 (Two) years after date of purchase. This limited warranty does not cover normal wear and tear or damage from neglect or accident. The original purchaser is covered by this warranty and it is not transferable. Prior to returning your product to store location of purchase, please call the Toll-Free Help Line for possible solutions.

ACCESSORIES INCLUDED IN THIS PRODUCT ARE NOT COVERED BY THE 2 YEAR WARRANTY.

HELP LINE

For questions about this or any other PowerSmith™ product,

Please call Toll-Free: **888-552-8665**

Or visit our website: **www.powersmithproducts.com**

©Richpower Industries, Inc. All Rights reserved

Richpower Industries, Inc.
736 Hampton Road
Williamston, SC 29697

Printed in China, on recycled paper

POWER SMITH

WORK LIGHTS

LAMPE DE TRAVAIL DEL À RECHARGEABLE
DE 8000 LUMENS

PVLR8000A

Manuel d'utilisation



LIGNE D'ASSISTANCE **888-552-8665**
SANS FRAIS:

WWW.POWERSMITHPRODUCTS.COM

⚠ AVERTISSEMENT : Pour réduire le risque de blessure, l'utilisateur doit lire et doit comprendre ce manuel de l'opérateur avant de fonctionner cet produit.



CONSERVER CE MANUEL POUR FUTURE RÉFÉRENCE

INSTRUCTIONS DE SÉCURITÉ IMPORTANTES

LISEZ ET ASSIMILEZ TOUS LES AVERTISSEMENTS, MISES EN GARDE ET INSTRUCTIONS D'UTILISATION avant de vous servir de cet équipement. Sinon vous risquez commotion électrique, début d'incendie et/ou blessures.

! AVERTISSEMENT: POUR RÉDUIRE LE RISQUE D'INCENDIE, DE DÉCHARGE ÉLECTRIQUE OU DE BLESSURE PERSONNELLE.

- Ne pas regarder directement une lampe allumée pour éviter des lésions oculaires.
- Garder toujours la lampe de travail à l'écart de toute surface ou tout matériel inflammable.
- Avant d'utiliser la lampe de travail, vérifier toujours qu'il n'y a pas de pièces endommagées ou usées. Les pièces brisées compromettent le bon fonctionnement de la lampe de travail. Remplacer ou réparer immédiatement les pièces endommagées ou usées. Si des réparations sont nécessaires, consulter un électricien professionnel.
- Ne pas utiliser de laveuse à pression pour nettoyer cet article.
- Ne pas modifier la lampe de travail de quelque façon que ce soit. Toute modification non autorisée peut compromettre la fonction et/ou la sécurité et affecter la vie utile du produit. Cette lampe de travail a été conçue pour des applications particulières.
- Ranger la lampe de travail dans un lieu sûr, hors de portée des enfants. L'inspecter pour vous assurer qu'elle est en bon état avant de la ranger ou de la réutiliser.

ONSIGNES DE SÉCURITÉ PARTICULIÈRES AUX PRODUITS ALIMENTÉS PAR PILE LITHIUM-ION

Ce lampe de travail est alimenté par une pile lithium-ion. Les piles lithium-ion sont petites, compactes et idéales pour fournir une alimentation durable pour ce produit. Cependant, elles doivent être utilisées et chargées correctement. Un usage inadéquat peut entraîner des blessures graves, un incendie ou la mort.

! AVERTISSEMENT: Ne jamais jeter de l'eau sur une pile lithium-ion qui s'est enflammée! Si une pile lithium-ion prend feu, elle brûlera encore plus violemment au contact de l'eau. Se servir d'un extincteur

- Avant d'utiliser le chargeur de batteries, lire toutes les instructions et les mises en gardes figurant sur le chargeur, la batterie et le produit utilisant la batterie.
- Utilisez uniquement le chargeur qui accompagne votre produit ou le remplacement direct énumérés dans ce manuel. Ne substituez aucun autre chargeur.
- Ne pas recharger la batterie en environnement humide ou mouillé. Ne pas exposer la batterie à l'eau ou à la pluie.
- Ne pas utiliser le chargeur avec cordon endommagé ou la fiche. Remplacer immédiatement.
- Ne pas utiliser le chargeur s'il a reçu un choc violent, s'il est tombé ou s'il a été endommagé de quelque façon que ce soit. Le confier à un réparateur qualifié.
- Ne pas désassembler le chargeur ou la bloc de batterie ; en confier l'entretien ou la réparation à un technicien qualifié. Un démontage incorrect peut entraîner un risque de choc électrique ou d'incendie.
- Ne pas chargez le bloc de batterie à des température inférieure à 50 degrés F (10 degrés C) ou au-dessus de 104 degrés F (40 degrés C). Rangez l'outil et le bloc de batterie dans un endroit où la température ne dépasse pas 122 degrés F (50 degrés C). Ceci est important pour prévenir de graves dommages à la batterie.

- **Afin de réduire le risque de choc électrique**, débrancher le chargeur de la prise secteur avant de tenter de le nettoyer ou de le réparer.
- **Si l'autonomie de l'outil avant recharge est presque nulle**, arrêter immédiatement son utilisation. Toute utilisation prolongée dans un tel cas risque de provoquer une surchauffe, des brûlures, voir même une explosion.
- **Il peut y avoir une fuite de batterie dans des conditions extrêmes d'utilisation ou de température**. Évitez tout contact avec la peau et les yeux. Si le liquide vient en contact avec la peau, lavez rapidement à l'eau savonneuse. Si le liquide vient en contact avec les yeux, rincez-les à l'eau pendant au moins 10 minutes et sollicitez des soins médicaux.
- **Ne pas essayer d'utiliser un transformateur élévateur**, un générateur de moteur ou une prise d'alimentation CC.
- **Ne pas court-circuiter les bornes de la batterie**. Ne pas toucher les bornes avec un matériau conducteur. Éviter de stocker la bloc de batterie dans un conteneur comprenant d'autres objets métalliques tels que clous, pièces de monnaie, etc. Toujours protéger les bornes de la batterie lorsque la bloc de batterie n'est pas utilisée.
- **Ne pas charger la bloc de batterie dans une boîte ou un contenant de tout genre**. La batterie doit être placé dans un endroit bien aéré pendant le chargement.
- **Ne pas incinérer la bloc de batterie**, même si elle est gravement endommagée ou complètement usée. La batterie risque d'exploser à la chaleur.
- **Lorsqu'il n'est pas en usage**, débrancher le chargeur de l'alimentation secteur. Ceci réduira le risque de choc électrique ou de dommages au chargeur si des articles en métal venaient à tomber dans l'ouverture. Ceci aidera également à éviter des dommages au chargeur en cas de saute de tension.

⚠ AVERTISSEMENT: Un court-circuit de batterie peut provoquer une intensité de courant importante, une surchauffe, des brûlures éventuelles et même une panne.

CONSERVEZ CES INSTRUCTIONS

INFORMATIONS IMPORTANTES AU SUJET DE LA BATTERIES

- Les batteries sont des batteries au **LITHIUM-ION** rechargeables. Certaines réglementations locales, provinciales / d'États et fédérales /nationales interdisent de jeter ces batteries à la décharge publique courante.
- Consulter les autorités locales compétentes en matière de traitement des déchets pour connaître les options d'élimination ou de recyclage disponibles
- Davantage d'informations relatives à l'élimination des batteries aux États-Unis et au Canada sont disponibles au site Internet <http://www.call2recycle.org/>, ou en appelant le 1-800-822-8837 (1-800-8BATTERY)



SPÉCIFICATIONS

Modèle	PVLR8000A
Luminosité	8000 / 4000 / 2000 Lumens
Durée d'éclairage par charge	1.5 / 3 / 6 heures
Température de couleur	5000K, brillant Blanc
Pile	Lithium-Ion 12V, 8,8 Ah
Durée de charge	3 heures
Modes	puissant, moyen, et faible veilleuse
Hauteur du trépied	73,7 – 170,2 cm
Poids net	4,32 kg

VOTRE LAMPE DE TRAVAIL DEL

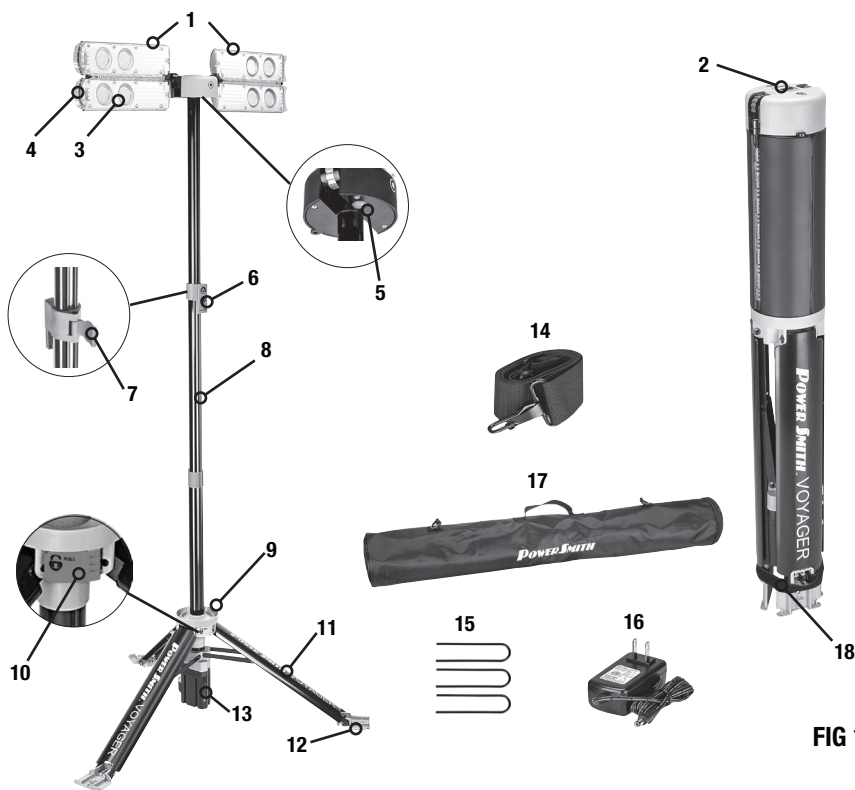


FIG 1

- | | | |
|--|---------------------------------|-------------------------|
| 1. Têtes d'éclairage | 7. Loquet du trépied | 13. Bloc de batteries |
| 2. Bouton de blocage des têtes d'éclairage | 8. Trépied | 14. Bandoulière |
| 3. DEL | 9. Connecteur de pied | 15. Griffes aux pieds |
| 4. DEL de nuit | 10. Loquet de blocage des pieds | 16. Chargeur |
| 5. Interrupteur intégré | 11. Pieds du trépied | 17. Sac de transport |
| 6. Télécommande | 12. Pied antidérapant | 18. Sangle de rangement |

OUVERTURE DE L'EMBALLAGE ET CONTENU

IMPORTANT! Grâce à des techniques modernes de production de masse, il est peu probable que la produit est défectueux ou qu'une pièce est manquante. Si vous trouvez quelque chose de mal, ne pas faire fonctionner la produit jusqu'à ce que les parties ont été remplacés ou la faute a été corrigée. Le fait de ne pas le faire pourrait entraîner des blessures graves.

CONTENU DE CARTON DE PIÈCES EN VRAC

Description	Quan	Description	Quan
Lampe de travail	1	Bloc de batteries PVLAB121	1
Chargeur	1	Griffes aux pieds	3
Sac de transport	1	Bandoulière	1
Guide d'emploi rapide	1	Manuel de l'opérateur	1

INSTRUCTIONS DE MONTAGE

INSTALLATION ET PREMIÈRE UTILISATION DE LA LAMPE (FIG 2)

Votre lampe de travail est entièrement assemblée et prête à utiliser dès sa sortie de la boîte.

Pour configurer la lampe : la position repliée A à la position de travail D.

1. Dérouler la sangle de rangement en velcro (18).
2. Déverrouiller l'agrafe de blocage des pattes (10). Voir la position A.
3. Déplier les pattes (11) et fixer l'agrafe de blocage des pattes. Voir la position B.
4. Placez le bouton de verrouillage de la tête d'éclairage (2) en position de déverrouillage, relever les têtes d'éclairage (1). Voir la position C.
5. Libérer les agrafes de blocage du trépied (7), relever le trépied (8) et fixer les agrafes. Voir la position D.
6. Régler les têtes lumineuses comme souhaité.

Pour faire tomber la lampe : la position D à la position A.

1. Libérer les agrafes de blocage du trépied (7), abaisser le trépied, et fixer les agrafes.
2. Rabattre les têtes d'éclairage (1).
3. Déverrouiller l'agrafe de blocage des pattes (10).
4. Relever la base (9) verte jusqu'à ce que les têtes d'éclairage soient bien logés à l'intérieur.
5. Fixer l'agrafe de blocage des pattes.
6. Réenrouler la sangle de rangement.

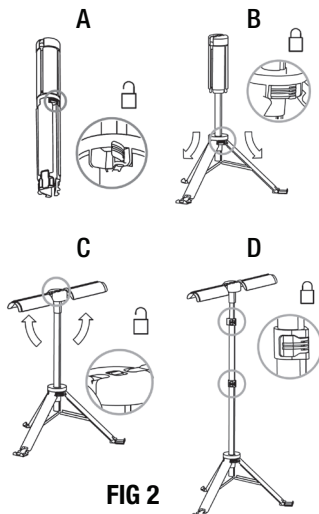


FIG 2

Vous pouvez consulter la feuille "Guide d'emploi rapide" qui accompagne le produit.

INSTALLATION ET RETRAIT DE LA BATTERIE (FIG 3)

Un bloc-batterie au lithium-ion de 12 V (modèle PVLAB121) est préinstallé sous le trépied.

REMARQUE: Retirez le ruban isolant sur les bornes de la batterie avant utilisation.

Pour retirer la batterie de la lampe : faites glisser la goupille de verrouillage de la batterie vers le bas, puis retirez la batterie comme indiqué à la FIG 3.

Pour installer le module batterie : à partir du côté portant le symbole de la batterie, faites-le glisser à fond dans son support de batterie jusqu'à ce qu'il s'enclenche d'un clic, comme illustré à la figure 3. Tirez légèrement sur la batterie pour l'est verrouillé en place et ne tombera pas accidentellement.

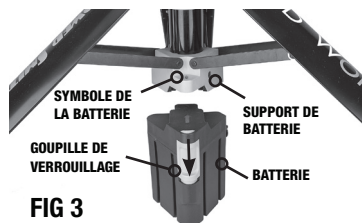


FIG 3

FONCTIONNEMENT

CHARGEMENT DU BLOC-BATTERIE (FIG 4)

1. Branchez le chargeur de batterie sur une source d'alimentation.
2. Débranchez l'insert en caoutchouc pour exposer le port de charge.
3. Connectez le chargeur de batterie au port de charge.
4. L'indicateur de charge de la batterie s'allumera et indiquera l'état de charge:

Voyant rouge clignotant: faible puissance et en charge.

Voyant jaune clignotant: plus de 50% de la puissance et en charge.

Voyant vert clignotant: puissance supérieure à 80% et en charge.

Voyant vert fixe: complètement chargé.

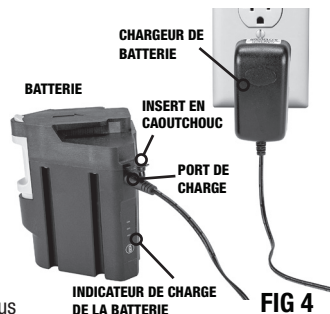


FIG 4

Vous pouvez charger la batterie installée ou retirée de la lumière. Si vous chargez pendant qu'il est installé, la lumière fonctionne avec une luminosité maximale à 4000 lumens.

INTERRUPTEUR

Cette lampe comporte un interrupteur intégré rouge (5-FIG 1). Voir son emplacement à la figure 1. Cet interrupteur allume et éteint la lampe et commande son mode d'éclairage. Le mode d'éclairage suit la séquence suivante à chaque pression de l'interrupteur :

Puissant - Moyen - Faible - Lampe de nuit - Lampe d'alerte clignotante - Lampe éteinte

L'interrupteur comporte une fonction d'arrêt différé. Si un mode d'éclairage reste allumé pendant plus de 15 secondes, la prochaine pression de l'interrupteur éteint la lampe.

TÉLÉCOMMANDE (FIG 5)

La lampe comporte une télécommande PARC23 (6-FIG 1). Elle se pose au milieu de la tige du trépied.

La télécommande comprend deux boutons. Celui du haut (A) sert à Allumer et Éteindre la lampe. Le bouton du bas (B) permet de choisir le mode de la lampe, soit lampe de travail puissant, moyen, faible, lampe de nuit et lampe d'alerte.

Glisser la télécommande vers le haut pour la dégager de son support. La garder toujours dans son support entre les utilisations.

La portée maximale de la télécommande est d'environ 18 mètres (60 pi) de la lampe.

La télécommande est alimentée par une pile bouton Lithium-Ion de 3 V CR2032L. Enlever les quatre vis du couvercle arrière pour remplacer la pile.

La télécommande fournie a été jumelée à votre lampe de travail à LED en usine. Si vous utilisez une télécommande de remplacement, vous devez associer la télécommande à la lumière. Retirez la batterie de la lumière et de la réinstaller, puis maintenez enfoncé le bouton marche / arrêt (A) de la télécommande pendant au moins 7 secondes jusqu'à ce que le voyant s'allume. Ceci termine le processus de couplage et la télécommande est prête à être utilisée.

REMARQUE: votre lampe passera en mode veille 24 heures après son extinction pour économiser la batterie. Appuyez et maintenez enfoncé le bouton marche / arrêt (A) de la télécommande pendant 2 secondes pour réveiller la lampe.

AVERTISSEMENT: La télécommande est conforme à la partie 15 des Règlements de la FCC. Le fonctionnement de l'appareil est assujéti aux deux conditions suivantes : (1) il ne doit pas provoquer d'interférences nuisibles, et (2) il doit tolérer les interférences reçues, notamment celles susceptibles de provoquer un fonctionnement non souhaité.

RÉGLAGE DES TÊTES D'ÉCLAIRAGE

Cette lampe comporte quatre têtes d'éclairage réglables. Elles peuvent être configurées de nombreuses façons pour obtenir un éclairage à l'endroit voulu.

Pour faire basculer les têtes d'éclairage : Placer le bouton de blocage (2) en position de déverrouillage 6. Orienter les têtes d'éclairage vers le haut ou vers le bas de chaque côté à la position souhaitée. Bloquer les têtes d'éclairage en plaçant le bouton à la position de verrouillage 6. Voir figures 6 et 7.

Rotation des têtes d'éclairage : Les têtes d'éclairage peuvent pivoter sur 330° sur leur axe central. Voir figures 8.

ATTENTION : Ne pas forcer la tête d'éclairage. Si elle arrête de pivoter dans un sens, essayer dans l'autre sens à la position voulue.

ACCESSOIRES

Griffes aux pieds (FIG 9)

Trois griffes aux pieds sont inclus pour maintenir les pieds dans les conditions difficiles. Enfoncer le piquet avec un marteau dans un sol meuble au travers des deux trous du pied pour conférer plus de stabilité à la lampe. Le griffe se range sur le pied, tel qu'illustré à la figure 9.

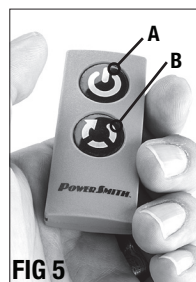


FIG 5

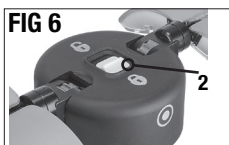


FIG 6

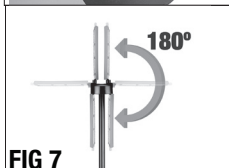


FIG 7



FIG 8

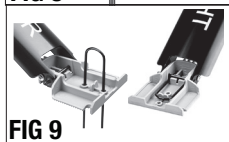


FIG 9

Bandoulière

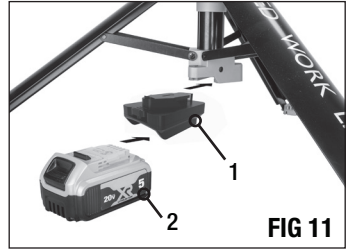
Une bandoulière ajustable est incluse pour faciliter le transport.

Adaptateur CA (facultatif, non inclus)

La lumière peut être alimentée par un adaptateur secteur PVLATF120 (1). Voir Fig. 17

Adaptateur CC (facultatif, non inclus)

La lumière peut être alimentée par une batterie pour outils électriques de 18V/20V (2) de DeWalt®, Milwaukee® ou Makita®, avec un adaptateur CC (1). Voir Fig. 11. Reportez-vous à la charte ci-dessous pour savoir quel adaptateur CC est nécessaire pour le bloc-batterie dont vous disposez.



N° DE MODÈLE D'ADAPTEUR CC	Compatible avec
PVLA20-DW	Bloc-batterie au lithium-ion de 20V DEWALT®
PVLA18-MIL	Bloc-batterie au lithium-ion de 18V Milwaukee®
PVLA18-MAK	Bloc-batterie au lithium-ion de 18V Makita®

Avis de non-responsabilité : DeWalt® est une marque déposée de Stanley Black & Decker. Milwaukee® est une marque déposée de Milwaukee Electric Tool Corp. Makita® est une marque déposée de Makita Corp.

ENTRETIEN

Votre lampe de travail exige très peu de soin et d'entretien. Nettoyer simplement les lentilles régulièrement avec un nettoyeur non abrasif.

⚠ AVERTISSEMENT: S'assurer toujours que la lampe de travail est débranchée et qu'elle a complètement refroidi avant de tenter de la nettoyer.

GARANTIE

Ce produit est garanti exempt de défauts dus au matériaux et à la main d'œuvre pendant 2 ans à compter de sa date d'achat. Cette garantie limitée ne couvre pas l'usure normale ni les détériorations ou dommages dus à négligence, utilisation anormale ou accident. L'acheteur d'origine est couvert par cette garantie mais elle n'est pas transférable. Avant de renvoyer votre produit au magasin d'achat, s'il vous plaît appelez sans frais la ligne d'aide pour les solutions possibles.

LES ACCESSOIRES COMPRIS DANS CE KIT NE SONT PAS COUVERTS PAR LA GARANTIE DE 2 ANS.

LIGNE D'ASSISTANCE

Pour vos questions sur ce produit ou un autre de **PowerSmith™**, veuillez utiliser en Amérique du Nord ce numéro d'appel sans frais: **888-552-8665**

Ou visitez notre site web: **www.powersmithproducts.com**

POWER SMITH

WORK LIGHTS

**LÁMPARA LED PORTÁTIL RECARGABLE,
DE 8000 LÚMENES
Manual del Operario**

PVLR8000A



**LÍNEA DE AYUDA
GRATUITA: 888-552-8665**

WWW.POWERSMITHPRODUCTS.COM

⚠ ADVERTENCIA: Para reducir el riesgo de la herida, el usuario debe leer y deber comprender el manual de este operario antes de operar este instrumento.

GUARDE ESTE MANUAL PARA FUTURAS CONSULTAS



INSTRUCCIONES IMPORTANTES DE SEGURIDAD

ANTES DE UTILIZAR ESTE EQUIPO, LEA Y ENTIENDA TODAS LAS ADVERTENCIAS, PRECAUCIONES E INSTRUCCIONES DE OPERACIÓN. No seguir todas las instrucciones enumeradas a continuación, podría resultar en una descarga eléctrica, un incendio y/o lesiones personales graves.

ADVERTENCIA: PARA REDUCIR EL RIESGO DE INCENDIO ELECTROCUCIÓN O LESIONES PERSONALES.

- No mire directamente a las luces encendidas para impedir lesiones en los ojos.
- Mantenga apartada siempre la luz de trabajo de cualquier superficie o material inflamable.
- Compruebe siempre si hay piezas dañadas o desgastadas antes de usar la luz de trabajo. Las piezas rotas afectarán la operación de la luz de trabajo. Reemplace o repare las piezas dañadas o desgastadas de inmediato. Si es necesario efectuar reparaciones, consulte con un electricista profesional.
- No use un lavador a presión para limpiar este producto.
- No modifique la luz de trabajo de ninguna manera. La modificación no autorizada puede impedir el funcionamiento y la seguridad y podría afectar la vida útil del producto. Hay aplicaciones específicas para las que fue diseñada la luz de trabajo.
- Almacene la luz de trabajo en un lugar seguro fuera del alcance de los niños. Inspecciónela para ver si está en buenas condiciones de operación antes de almacenarla y antes de volver a ponerla en servicio.

INSTRUCCIONES DE SEGURIDAD PARA PRODUCTOS CON BATERÍA DE LITIO-ION

Esta lámpara se energiza con una batería de litio-ion. Las baterías de litio-ion son pequeñas, compactas e ideales para aportar cargas de larga duración a este producto. Es importante usarlas y cargarlas apropiadamente. El uso indebido podría causar incendio, accidentes lesivos e incluso fatales.

ADVERTENCIA: NO TRATAR DE APAGAR UNA BATERÍA DE LITIO-ION EN LLAMAS CON AGUA! Una batería de litio-ion en llamas se encenderá con mayor intensidad cuando entre en contacto con el agua. Usar un extinguidor de incendio.

- Antes de usar el cargador de baterías, lea todas las instrucciones y marcas de precaución en el (1) cargador de bateríaS, (2)batería y (3) producto que use la batería.
- Utilice sólo el cargador que acompañó a su producto o sustitutos directos que figuran en este manual. No se puede sustituir cualquier otro cargador.
- No recargue la batería en lugares húmedos o medio ambiente húmedo. No exponga la batería al agua o la lluvia.
- No utilice el cargador si está dañado el cordón o la clavija, Reemplace inmediatamente.
- No utilice el cargador si ha recibido un golpe contundente, se ha caído o se ha dañado de alguna otra forma; llévelo a un técnico de reparaciones capacitado.
- No desmonte el cargador o el paquete de batería; llévelo a un técnico de reparaciones capacitado cuando requiera servicio o reparación. El montaje incorrecto puede resultar en un riesgo de descarga eléctrica o incendio.
- No cargue el paquete de batería la temperatura está por debajo de 50 grados F (10 grados C) o superior a 104 grados F (40 grados C). La herramienta de la tienda y la batería en un lugar donde la temperatura no superará los 122 grados F (50 grados C). Esto es importante para evitar daños graves a la batería de células.
- Para reducir el riesgo de descarga eléctrica, desenchufe el cargador de la toma de corriente antes de tratar de efectuar cualquier tarea de mantenimiento o limpieza.

- **Si el tiempo de operación se ha hecho mucho más corto**, deje de hacerlo funcionar inmediatamente. Puede resultar en un riesgo de recalentamiento, posibles quemaduras e incluso en una explosión.
- **En condiciones extremas de uso o temperatura**; las baterías pueden emanar líquido. Si el líquido llega a tocarle la piel, lávese de inmediato con agua y jabón, y después neutralice los efectos con jugo de limón o vinagre. Si le entra líquido en los ojos, láveselos con agua limpia por lo menos 10 minutos, y después busque de inmediato atención médica. Con el cumplimiento de esta regla se reduce el riesgo de lesiones serias.
- **No trate de usar un transformador elevador**, un generador de motor o un receptáculo de CC.
- **No cortocircuite el paquete de baterías**. No toque los terminales con ningún material conductor. No guarde el paquete de batería en un recipiente con otros objetos de metal como clavos, monedas, etc. Proteja siempre los terminales de las pilas cuando no se use el paquete de batería.
- **No cargue dentro de una caja o recipiente de ninguna clase**. La batería debe colocarse en un área bien ventilada durante la carga.
- **No incinere el paquete de batería** incluso si está muy dañado o está completamente des gastado. El paquete de batería puede estallar en un incendio.
- **Cuando no esté en uso el cargador desconéctelo del suministro de voltaje**. De esta manera se reduce el riesgo de una descarga eléctrica o daños al cargador si artículos metálicos caen en la abertura. Esto también ayuda a evitar dañar el cargador en el caso de una subida de voltaje.

⚠ ADVERTENCIA: Un cortocircuito de la pila puede causar una gran corriente, recalentamiento, posibles quemaduras e incluso la rotura.

GUARDE ESTAS INSTRUCCIONES

INFORMACIÓN IMPORTANTE DE LAS BATERÍA

- Las baterías son recargables de **LITHIUM-ION** baterías. Ciertas leyes locales, estatales y federa les prohíben desechar estas pilas en la basura normal.
- Consulte con sus autoridades de desechos locales para ver cuáles son sus funciones de desechado/reciclado.
- Se dispone de más información referente al desechado de baterías en EE.UU. y Canadá en; <http://www.call2recycle.org/>, o llamando al 1-800-822-8837 (1-800-8BATTERY).



ESPECIFICACIONES

Modelo	PVLR8000A
Brillo	8000 / 4000 / 2000 lúmenes
Duración de la carga	1.5 / 3 / 6 Horas
Temperatura de color	5000K, Blanco Brillante
Batería	litio-ion 12V, 8,8 Ah
Tiempo de carga	3 Horas
Modos	Alto, Medio, Bajo, y noche
Altura del trípode	29" – 67"
Peso neto	9.5 libras

SU LÁMPARA PORTÁTIL DE LED

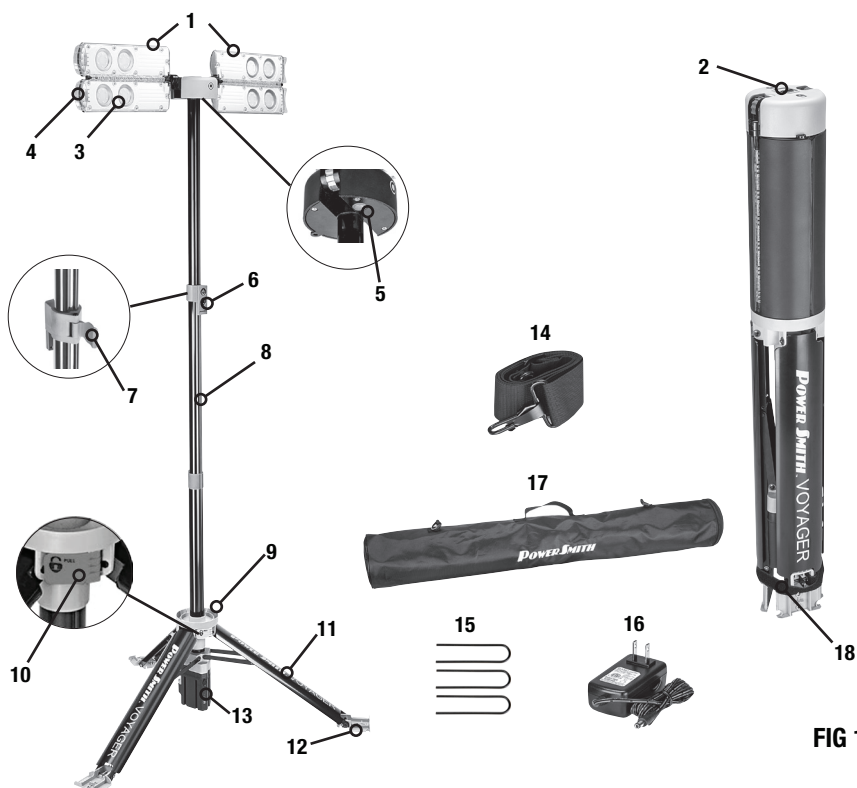


FIG 1

- | | | |
|---|---------------------------------|------------------------------|
| 1. Cabezales de iluminación | 7. Clips de bloqueo del trípode | 14. Correa para el hombro |
| 2. Botón de bloqueo para los cabezales de iluminación | 8. Trípode | 15. Clavos de pie |
| 3. Luces LED | 9. Conector del pie | 16. Cargador |
| 4. LED nocturno | 10. Clip de bloque del pie | 17. Bolsa de transporte |
| 5. Interruptor incorporado | 11. Pies del trípode | 18. Correa de almacenamiento |
| 6. Control remoto | 12. Pie antideslizante | |
| | 13. Paquete de baterías | |

DESEMPAQUETADO Y CONTENIDO

¡IMPORTANTE! Debido a las modernas técnicas de producción en masa, es poco probable que la producto está defectuoso o que una parte se pierde. Si encuentra algo incorrecto, no opere la producto hasta que las partes han sido sustituidos o la falla ha sido corregida. El no hacerlo podría resultar en lesiones graves.

PIEZAS SUELTAS EN LA CARTÓN

Descripción	CANT.	Descripción	CANT.
Lámpara de trabajo	1	Paquete de baterías PVLAB121	1
Cargador	1	Clavos de pie	3
Bolsa de transporte	1	Correa para el hombro	1
Guía de inicio rápido	1	Manual del operador	1

INSTRUCCIONES DE MONTAJE

PUESTA EN FUNCIONAMIENTO Y DESGLOSE DE LA LUZ (FIG 2)

La lámpara de trabajo está completamente ensamblada y lista para usar una vez que la saque de la caja.

Para configurar la lámpara: Desde la posición plegada a una posición de trabajo D.

1. Abra la correa velcro de almacenamiento (18).
2. Suelte el clip de bloqueo de las patas (10). Ver posición A.
3. Extienda las patas (11), Asegure el clip de bloqueo de las patas. Ver posición B.
4. Coloque el botón de bloqueo (2) en la posición "Desbloquear" (Unlock), Voltee los cabezales de luz hacia arriba. Ver posición C.
5. Suelte los clips de bloqueo del trípode (7), Levante el trípode (8), Asegure los clips. Ver posición D.
6. Ajuste los cabezales de lámpara (1) según sea necesario.

Para pliegue la lámpara: la posición D a la posición A.

1. Suelte los clips de bloqueo del trípode (7). Baje el trípode/Asegure los clips. Asegure los clips.
2. Pliegue los cabezales de luz hacia abajo (1).
3. Suelte el clip de bloqueo de las patas (10).
4. Levante la base verde (9) hasta que los paneles de luz encajen dentro de la misma.
5. Asegure el clip de bloqueo de las patas.
6. Asegure con la correa velcro de almacenamiento.

Puede consultar la hoja "GUÍA DE INICIO RÁPIDO" que viene con el producto.

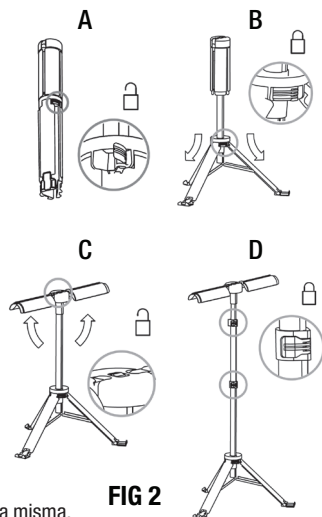


FIG 2

INSTALACIÓN Y EXTRACCIÓN DE LA BATERÍA (FIG 3)

Un paquete de baterías de iones de litio de 12 V (modelo PVLAB121) está preinstalado debajo del trípode.

NOTA: Retire la cinta aislante de los terminales de la batería antes de usarla.

Para retirar la batería de la lámpara: deslice hacia abajo el pasador de bloqueo de la batería y luego retire la batería como se muestra en la FIG. 3.

Para instalar la batería: desde el lado con el "símbolo de la batería", deslice la batería en el soporte de la batería hasta que encaje en su lugar con un clic, como se muestra en la FIG. 3. Tire suavemente de la batería para asegurarse de que está bloqueado en su lugar y no se caerá accidentalmente.

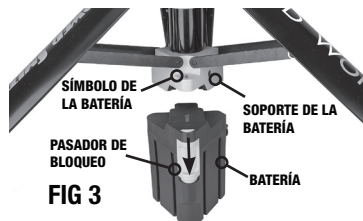


FIG 3

UTILIZACIÓN

CARGA DE LA BATERÍA (FIG 4)

1. Conecte el cargador de batería a una fuente de alimentación.
2. Desenchufe el inserto de goma para exponer el puerto de carga.
3. Conecte el cargador de batería al puerto de carga.
4. El indicador de carga de la batería se iluminará e indicará el estado de carga:
Luz roja intermitente: baja potencia y carga.
Luz amarilla intermitente: más del 50% de potencia y carga.
Luz verde intermitente: potencia superior al 80% y carga.
Luz verde fija: completamente cargada.

Puede cargar la batería ya sea instalada o extraída de la lámpara. Si se está cargando mientras está instalada, la lámpara funciona con brillo máximo a 4000 lúmenes.

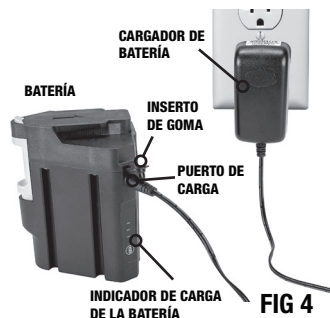


FIG 4

INTERRUPTOR

La lámpara tiene un interruptor rojo (5-FIG 1). Consulte la Figura 1 para ver la ubicación. Este interruptor enciende y apaga (ON y OFF) la luz y controla el modo de iluminación. El modo de iluminación se gira en la siguiente secuencia cada vez que se presiona sobre el interruptor:

Alto - Medio - Bajo – Luz nocturna - Luz de alarma parpadeante - APAGADO

El interruptor tiene una función de apagado "OFF" con retardo. Si un modo de iluminación se mantiene durante más de 15 segundos, la próxima vez que presione sobre el interruptor, se apagará la luz.

CONTROL REMOTO (FIG 5)

La lámpara incluye un control remoto PARC23 (6 FIG 1). Está alojado en la mitad del poste del tripode.

Hay dos botones en el control remoto. El de arriba (A) es para encender o apagar (ON u OFF). El de abajo (B) es para seleccionar el modo de iluminación: Luz de trabajo Alto, Medio, Bajo, Luz nocturna y Luz de alarma parpadeante.

Deslice el control remoto hacia arriba para sacarlo del soporte. Manténgalo siempre en el soporte cuando no lo use.

La distancia máxima de control es de 60 pies aproximadamente de la luz.

El control remoto se alimenta con una pila botón de iones de litio de 3 V CR2032L. Retire los cuatro tornillos de la cubierta posterior para reemplazar la pila.



El control remoto suministrado ha sido emparejado con su luz de trabajo en la fábrica. Si usa un control remoto de reemplazo, debe asociar el control remoto con la luz. Retire la batería de la luz y vuelva a instalarla. Presione y mantenga presionado el botón de Encendido / Apagado (A) en el control remoto durante al menos 7 segundos hasta que el luz se encienda. Esto completa el proceso de emparejamiento y el control remoto está listo para usar.

NOTA: Su lámpara pasará a modo de reposo 24 horas después de apagarse para ahorrar energía de la batería. Mantenga presionado el botón de encendido / apagado (A) en el control remoto durante 2 segundos para despertar la lámpara.

ADVERTENCIA: Este dispositivo cumple con la Parte 15 de las Reglas de la Comisión Federal de Comunicaciones (FCC). El funcionamiento está sujeto a las siguientes dos condiciones: (1) Este dispositivo no podrá causar interferencia peligrosa, y (2) este dispositivo debe aceptar cualquier interferencia que reciba, incluida la interferencia que podría causar el funcionamiento no deseado.

AJUSTE DE LOS CABEZALES DE ILUMINACIÓN

La lámpara tiene cuatro cabezales de iluminación ajustables. Se pueden configurar de muchísimas formas para obtener luz donde se necesita.

Dar vuelta a los cabezales de iluminación. Coloque el botón de bloqueo (2) en la posición Desbloquear . Dé vuelta a los cabezales de iluminación de cada lado hacia arriba o abajo en la posición que desea. Bloquee los cabezales de iluminación colocando el botón de bloqueo en la posición Bloquear . Consulte las Fig. 6 y 7.

Girar los cabezales de iluminación. Los cabezales de iluminación pueden girarse 330° alrededor del eje central. Consulte la Fig. 8.

PRECAUCIÓN: No fuerce el cabezal de iluminación. Si deja de girar en una dirección, intente en la otra dirección para llegar a la posición que desea.

ACCESORIOS

Clavos de pie (FIG 9)

Se incluyen tres clavos de pie como soporte adicional en condiciones difíciles. Con un martillo clave las puntas del pie en el suelo blando a través de los dos orificios del pie para dar mayor estabilidad a la lámpara. La clavo del pie se puede almacenar como muestra la FIG. 9.

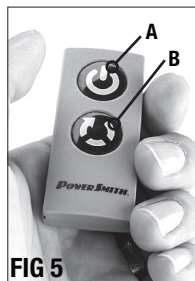


FIG 5

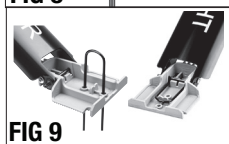
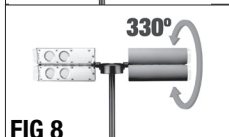
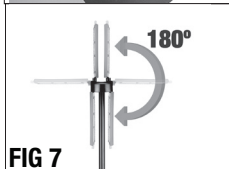
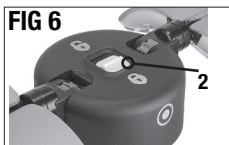


FIG 9

Correa para el hombro

Se incluye una correa para el hombro para facilitar el transporte.

Adaptador de CA (opcional, no incluido)

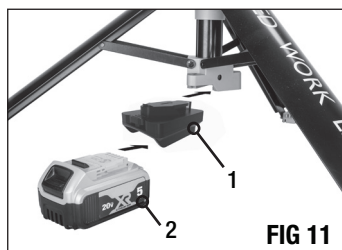
La luz puede alimentarse mediante un (1) adaptador de CA PVLATF120. Vea la FIG. 10.

Adaptador de CC (opcional, no incluido)

La luz puede alimentarse mediante un paquete de (2) baterías de 18 V/20 V de DeWalt®, Milwaukee® o Makita®, con un (1) adaptador de CC. Vea la FIG. 11. Consulte las recomendaciones a continuación sobre el adaptador de CC específico para este paquete de baterías.

MODELO DE ADAPTADOR DE CC N.º	Compatible con
PVLAA20-DW	Paquetes de baterías de iones de litio de 20 V de DEWALT®
PVLAA18-MIL	Paquetes de baterías de iones de litio de 18 V de Milwaukee®
PVLAA18-MAK	Paquetes de baterías de iones de litio de 18 V de Makita®

Descargo de responsabilidad: DeWalt® es una marca registrada de Stanley Black & Decker. Milwaukee® es una marca registrada de Milwaukee Electric Tool Corp. Makita® es una marca registrada de Makita Corp.

**FIG 10****FIG 11**

ANTENIMIENTO

Su luz de trabajo requiere muy poco cuidado y mantenimiento. Simplemente limpie la lente con regularidad con un limpiador que no sea abrasivo.

! ADVERTENCIA: Asegúrese siempre de que la luz de trabajo esté desenchufada y completamente enfriada antes de intentar limpiarla.

GARANTÍA

Este producto está garantizado contra defectos de material y de fabricación durante 2 años a partir de la fecha de compra. Esta garantía limitada no cubre el desgaste normal o daños por negligencia o accidente. El comprador original está cubierto por esta garantía y no es transferible. Antes de devolverlo su producto para almacenar la ubicación de la compra, por favor llame gratis a la línea de ayuda para las posibles soluciones.

LOS ACCESORIOS INCLUIDOS CON ESTE JUEGO NO TIENEN 2 AÑOS DE GARANTÍA.

LÍNEA DE AYUDA

Para preguntas acerca de este o cualquier otro producto PowerSmith™ Llame gratuitamente al teléfono:

888-552-8665

O visite nuestro sitio web: **www.powersmithproducts.com**

**POWER
SMITH**

WORK LIGHTS

Richpower Industries, Inc.
736 Hampton Road
Williamston, SC USA
www.richpowerinc.com