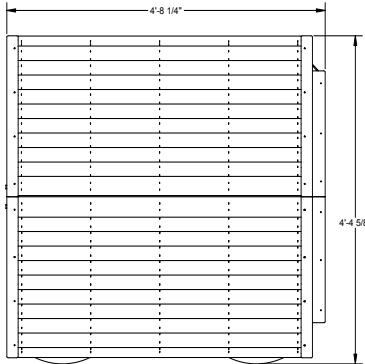


BANCROFT PLAYHOUSE – P280080

INSTALLATION AND OPERATING INSTRUCTIONS



WARNING

To reduce the risk of serious injury or death, you must read and follow these instructions. Keep and refer to these instructions often and give them to any future owner of this playhouse. Manufacturer contact information provided below.

CAPACITY - 3 Users Maximum, Ages 2 to 10.

RESIDENTIAL HOME USE ONLY. Not intended for public areas such as schools, churches, nurseries, day cares or parks.



3 - 5 Hrs
TWO PERSON ASSEMBLY



Cedar Summit
c/o ©Solowave Design L.P.
Mount Forest, ON Canada
N0G 2L0

www.cedarsummitplay.com
support@cedarsummitplay.com
Customer Service
1-877-817-5682 (toll free)
1-519-323-2258

Table of Contents

Warnings and Safe Play Instructions.....	pg. 2
Instructions for Proper Maintenance.....	pg. 2
Keys to Assembly Success.....	pg. 3
About Our Wood – Limited Warranty.....	pg. 4
Keys to Quick Assembly.....	pg. 5
Part ID.....	pg. 8
Step-By-Step Instructions.....	pg. 15
Installation of I.D./Warning Plaque.....	Final Step

Warnings and Safe Play Instructions



CONTINUOUS ADULT SUPERVISION REQUIRED. Most serious injuries and deaths on playground equipment have occurred while children were unsupervised! Our products are designed to meet mandatory and voluntary safety standards. Complying with all warnings and recommendations in these instructions will reduce the risk of serious or fatal injury to children using this play system. Go over the warnings and safe play instructions regularly with your children and make certain that they understand and follow them. Remember on-site adult supervision is required for children of all ages.



WARNING

CHOKING HAZARD/SHARP EDGES & POINTS

Adult assembly required. This product contains small parts and parts with sharp edges and points. Keep parts away from children until fully assembled.

STRANGULATION HAZARD

- **NEVER** allow children to play with ropes, clotheslines, pet leashes, cables, chains or cord-like items when using this playhouse or to attach these items to the playhouse.
- **NEVER** allow children to wear loose fitting clothing, ponchos, hoods, scarves, capes, necklaces, items with draw-strings, cords or ties when using this playhouse.
- **NEVER** allow children to wear bike or sport helmets when using this playhouse.

Failure to prohibit these items, even helmets with chin straps, increases the risk of serious injury and death to children from entanglement and strangulation.

TIP OVER HAZARD

Choose a level location for the equipment. This can reduce the likelihood of the playhouse tipping over and loose-fill surfacing materials washing away during heavy rains.

DO NOT allow children to play on the playhouse until the assembly is complete.



WARNING – Safe Play Instructions

- ✓ Dress children with well fitting and full foot enclosing footwear.
- ✓ Check for splintered, broken or cracked wood; missing, loose, or sharp edged hardware. Replace, tighten and or sand smooth as required prior to playing.
- ✗ Do not allow children to wear open toe or heel footwear like sandals, flip-flops or clogs.
- ✗ Do not permit climbing on equipment when it is wet.
- ✗ Do not permit rough play or use of equipment in a manner for which it was not intended. Standing or climbing on or jumping from the roof.

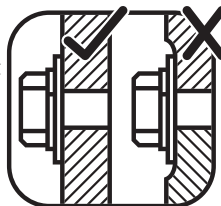
Instructions for Proper Maintenance

Your Cedar Summit Play System is designed and constructed of quality materials with your child's safety in mind. As with all outdoor products used by children, it will weather and wear. To maximize the enjoyment, safety and life of your Playhouse, it is important that you, the owner, properly maintain it.

Check the following at the beginning of the play season:

HARDWARE:

- ✓ Check metal parts for rust. If found, sand and repaint using a non-lead paint complying with 16 CFR 1303.
- ✓ Inspect and tighten all hardware. On wood assemblies **DO NOT OVER-TIGHTEN** as to cause crushing and splintering of wood.
- ✓ Check for sharp edges or protruding screw threads, add washers if required.



WOOD PARTS:

- ✓ Check all wood members for deterioration, structural damage and splintering. Sand down splinters and replace deteriorated wood members. As with all wood, some checking and small cracks in grain is normal.
- ✓ Applying a water repellent or stain (water-based) on a yearly basis is important maintenance to maintain maximum life and performance of the product.

Check twice a month during play season:

HARDWARE:

- ✓ Inspect for tightness. Must be firmly against, but not crushing the wood. **DO NOT OVER-TIGHTEN.** This will cause splintering of wood.
- ✓ Check for sharp edges or protruding screw threads. Add washers if required.

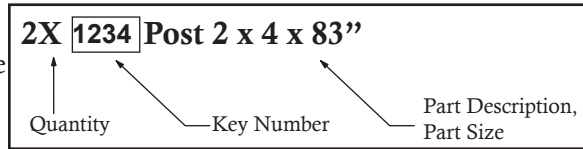
Keys to Assembly Success

Tools Required

<ul style="list-style-type: none"> • Tape Measure • Carpenters Level • Carpenters Square • Claw Hammer • Standard or Cordless Drill 	<ul style="list-style-type: none"> • #1 & #2 Phillips or Robertson bits • Ratchet with extension (7/16" sockets) 	<ul style="list-style-type: none"> • Open End Wrench (7/16") • Adjustable Wrench • 1/8" & 3/16" Drill Bits • Pencil 	<ul style="list-style-type: none"> • Safety Glasses • Adult Helpers
--	--	---	---








Part Identification Key

On each page, you will find the parts and quantities required to complete the assembly step illustrated on that page. Here is a sample.



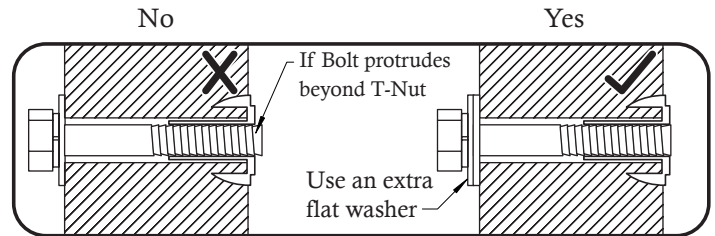
Symbols

Throughout these instructions symbols are provided as important reminders for proper and safe assembly.

<p>This identifies information that requires special attention. Improper assembly could lead to an unsafe or dangerous condition.</p> 	<p>Check that set or assembly is properly level before proceeding.</p> <p>Use Level</p> 
<p>Use Help</p>  <p>Use Help</p>  <p>Where this is shown, 2 or 3 people are required to safely complete the step. To avoid injury or damage to the assembly make sure to get help!</p>	<p>Pre-drill 1/8" & 3/16"</p> <p>Pre-drill a pilot hole before fastening screw or lag to prevent splitting of wood.</p>
<p>Measure Distance</p>  <p>Check that assembly is square before tightening bolts.</p> <p>Use a measuring tape to assure proper location.</p> <p>Square Assembly</p> 	<p>Tighten Bolts</p>  <p>This indicates time to tighten bolts, but not too tight! Do not crush the wood. This may create splinters and cause structural damage.</p>

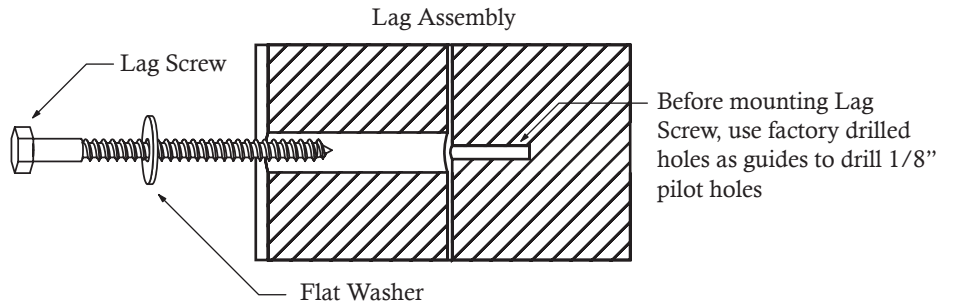
CAUTION – Protrusion Hazard

Once the assembly is tightened, watch for exposed threads. If a thread protrudes from the T-Nut, remove the bolt and add washers to eliminate this condition. Extra washers have been provided for this purpose.

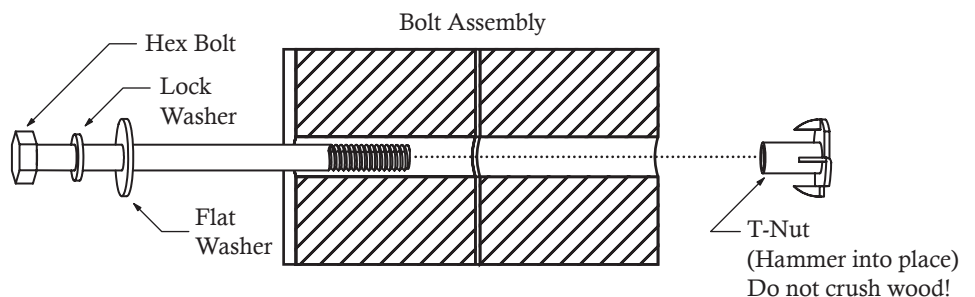


Proper Hardware Assembly

Lag screws require drilling pilot holes to avoid splitting wood. Only a flat washer is required. For ease of installation liquid soap can be used on all lag-type screws.



For bolts, tap T-Nut into hole with hammer. Insert the hex bolt through lock washer first then flat washer then hole. Because the assemblies need to be squared do not completely tighten until instructed. Pay close attention to diameter of the bolts. 5/16" is slightly larger than 1/4".



Note: Wafer head bolts with blue lock tight or a bolt with a Ny-Lok nut do NOT require a lock washer.

About Our Wood

Cedar Summit Premium Play Systems uses only premium playset lumber, ensuring the safest product for your children's use. Although we take great care in selecting the best quality lumber available, wood is still a product of nature and susceptible to weathering which can change the appearance of your set.

What causes weathering? Does it affect the strength of my Play System?

One of the main reasons for weathering is the effects of water (moisture); the moisture content of the wood at the surface is different than the interior of the wood. As the climate changes, moisture moves in or out of the wood, causing tension which can result in checking and or warping. You can expect the following due to weathering. These changes will not affect the strength of the product:

1. **Checking** is surface cracks in the wood along the grain. A post (4" x 4") will experience more checking than a board (1" x 4") because the surface and interior moisture content will vary more widely than in thinner wood.
2. **Warping** results from any distortion (twisting, cupping) from the original plane of the board and often happens from rapid wetting and drying of the wood.
3. **Fading** happens as a natural change in the wood color as it is exposed to sun-light and will turn a grey over time.

How can I reduce the amount of weathering to my Play System?

At the factory we have coated the wood with a water repellent or stain. This coating decreases the amount of water absorption during rain or snow thus decreasing the tension in the wood. Sunlight will break down the coating, applying a water repellent or stain on a yearly basis is important maintenance. (see your local stain and paint supplier for a recommended product)

Most weathering is just the normal result of nature and will not affect safe play and enjoyment for your child. However if you are concerned that a part has experienced a severe weathering problem please call our consumer relations department for further assistance.

Complete and mail registration card to receive important product notifications and assure prompt warranty service.

5 Year Limited Warranty

Solowave Design warrants that this product is free from defect in materials and workmanship for a period of one year from the original date of purchase. In addition, lumber is warranted for 5 years against structural failure due to rot and insect damage. All other parts, such as hardware, swings, rides, accessories, and slides carry a one-year warranty only.

This warranty applies to the original owner and registrant and is non-transferable.

Regular maintenance is required to assure the integrity of your Play System. Failure by the owner to maintain the product according to the maintenance requirements may void this warranty. This warranty does not cover any inspection cost.

This Limited Warranty does not cover:

- Labor for replacement of any defective item(s);
- Incidental or consequential damages;
- Cosmetic defects which do not affect performance or integrity;
- Vandalism; improper use or installation; acts of nature;
- Minor twisting, warping, checking, or any other natural occurring properties of wood that do not affect performance or integrity.

Solowave Design products have been designed for safety and quality. Any modifications made to the original product could damage the structural integrity of the unit leading to failure and possible injury. Solowave Design Inc. cannot assume any responsibility for modified products. Furthermore, modification voids any and all warranties.

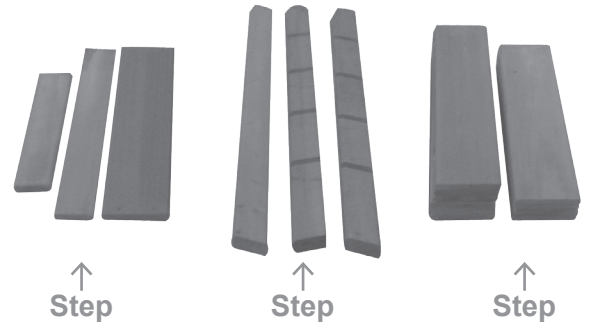
This product is warranted for **RESIDENTIAL USE ONLY**. Under no circumstance should a Solowave Design Play System be used in public settings such as schools, churches, playgrounds, parks, day cares and the like. Such use may lead to product failure and potential injury. Any and all public use will void this warranty.

Solowave Design disclaims all other representations and warranties of any kind, express or implied.

This Warranty gives you specific legal rights. You may have other rights as well which vary from state to state or province to province. This warranty excludes all consequential damages, however, some states do not allow the limitation or exclusion of consequential damages, and therefore this limitation may not apply to you.

Your Key To Quick Assembly

**SORTING WOOD PARTS
INTO EACH ASSEMBLY
STEP WILL SAVE TIME!**



SAVE TIME - TIP #1:

Open box with wood parts and look for the Key Number stamped on the end of the wood part (see chart below). Sort each wood part into the different assembly steps.

1X	1316	Cafe Top	15.9 x 127 x 1225.6 mm
↑	↑	↑	↑
Part Quantity	Key Number	Part Description	Part Size

SAVE TIME - TIP #2:

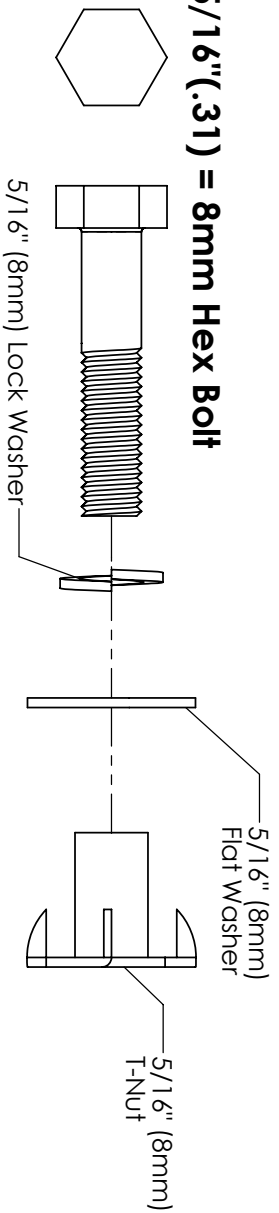
In addition to the key number stamp, you can also identify the wood parts by using the Parts Identification pages in the manual.

HARDWARE:

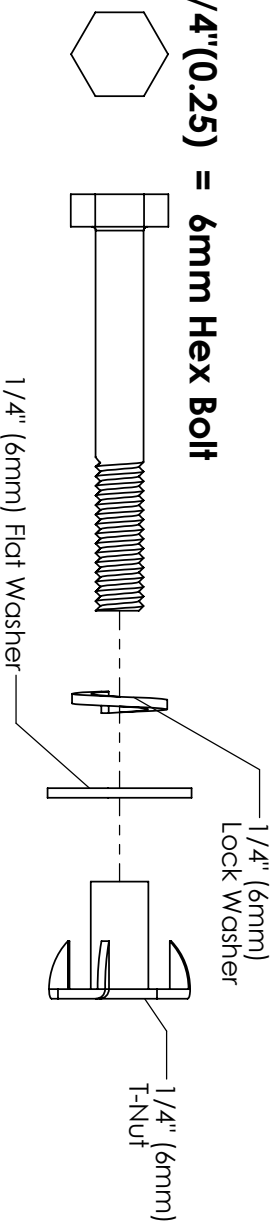
The majority of each hardware part comes packed in a separate bag so you do not need to sort the hardware. Each assembly step indicates which hardware (bolt, screw, washer etc.) you will require to complete the step.

SOLOWAVE DESIGN HARDWARE

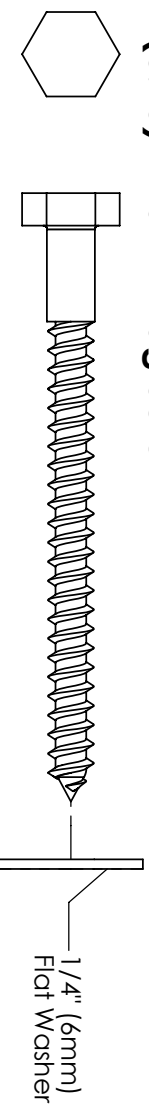
5/16"(.31) = 8mm Hex Bolt



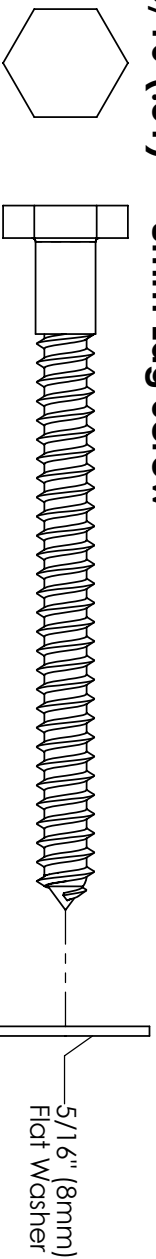
1/4"(0.25) = 6mm Hex Bolt



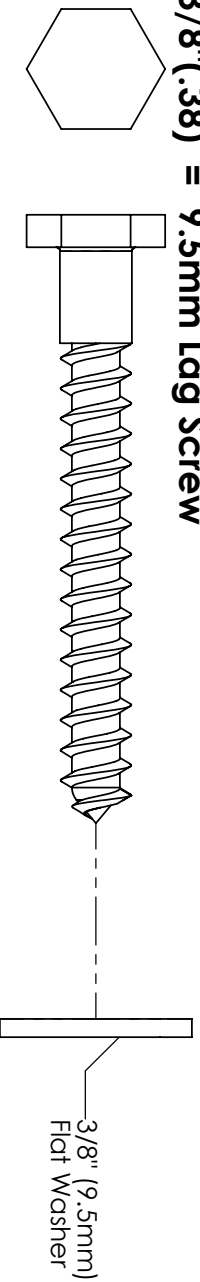
1/4"(0.25) = 6mm Lag Screw



5/16"(.31) = 8mm Lag Screw



3/8"(.38) = 9.5mm Lag Screw



HARDWARE LENGTH CHART
inches vs millimetres

6	152
5 1/2	140
5	127
4 1/2	114
4	102
3 1/2	89
3	76
2 1/2	64
2	51
1 1/2	38
1 1/4	32
1-1/8	29
1	25.4
7/8	22
3/4	19
1/2	12.7

DIAMETER CONVERSION

1 inch = 25.4mm

For example:

BOLT DIAMETER 5/16 (0.31) inches

0.31 inches x 25.4mm = 8mm

LENGTH CONVERSION

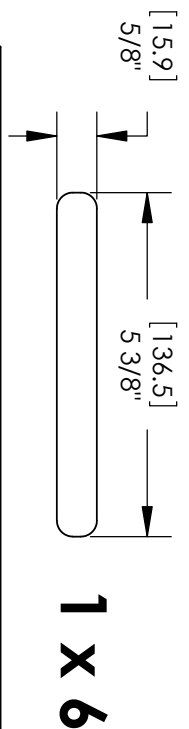
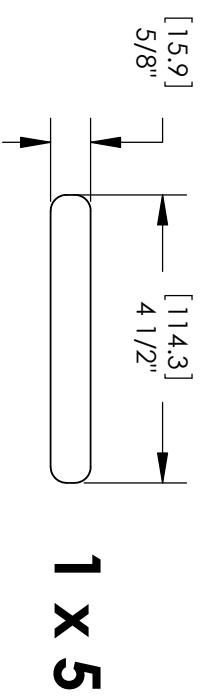
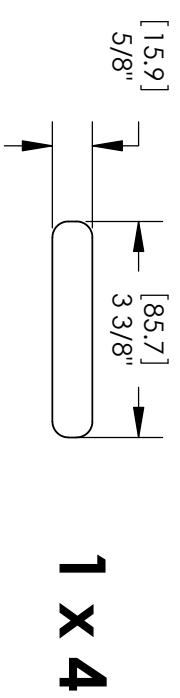
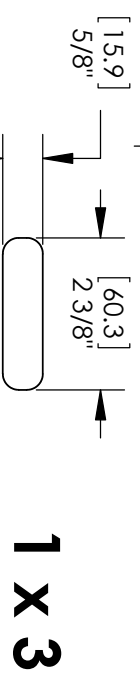
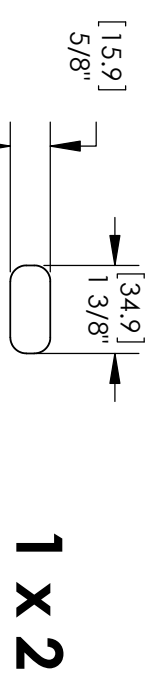
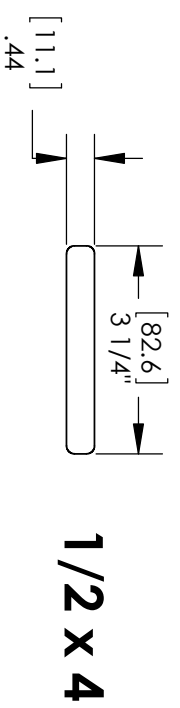
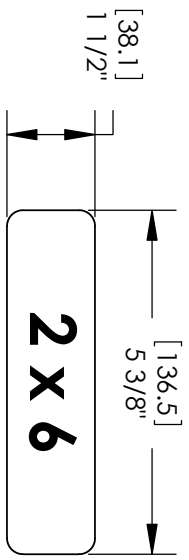
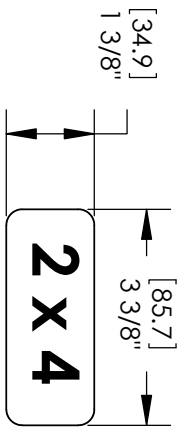
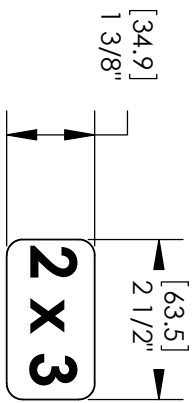
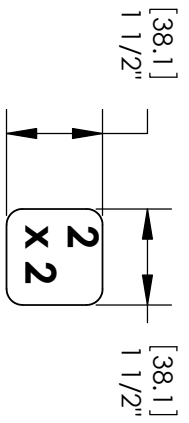
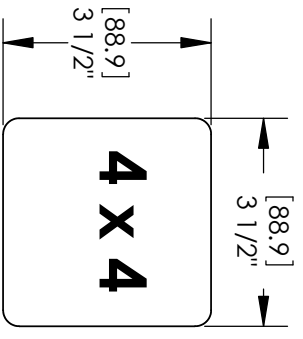
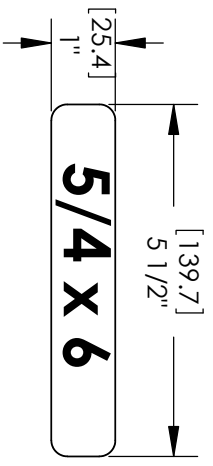
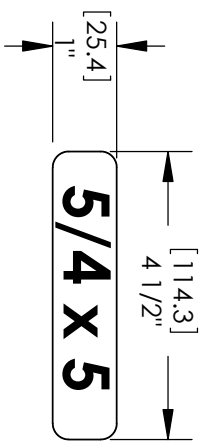
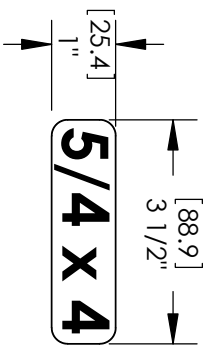
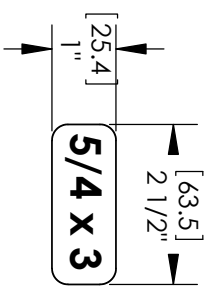
1 inch = 25.4mm

For example:

BOLT LENGTH 4 1/2 (4.5) inches long

4.5 inches x 25.4mm = 114mm long

SOLO)WAVE DESIGN WOOD PROFILES



LENGTH CONVERSION

1 inch = 25.4mm

For example:


BOARD LENGTH 59 1/4 (59.25) inches

59.25 inches x 25.4mm = 1505mm

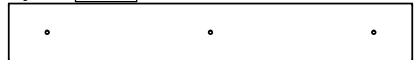
Dimensions in brackets [mm] represent millimetres.

Part Identification (Reduced Part Size)

2pc. - **0336** - 10 x 25.4 x 413.8 - Window Trim - 38033636

 (3/8 x 1 x 16-5/16")

2pc. - **0375** - 11.9 x 76.2 x 533.7 - Cafe Side - 38037536

 (7/16 x 3 x 21")

1pc. - **0373** - 11.9 x 76.2 x 556 - Chalkwall Side - 38037336

 (7/16 x 3 x 21-7/8")

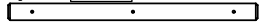
1pc. - **0377** - 11.9 x 127 x 1225.6 - Cafe Top - 38037736

 (7/16 x 5 x 48-1/4")

4pc. - **0376** - 12.7 x 108 x 665.0 - Soffit Wide - 38037636

 (1/2 x 4-1/4 x 26-3/16")

1pc. - **0333** - 15.9 x 22.2 x 330.2 - Shutter Stop - 38033336

 (5/8 x 1 x 13")

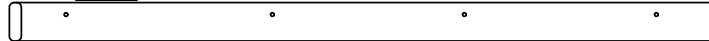
1pc. - **0366** - 15.9 x 50.8 x 231.8 - Spin Trim Bottom - 38036636

 (5/8 x 2 x 9-1/8")


1pc. - **0367** - 15.9 x 50.8 x 231.8 - Spin Trim Top - 38036736

 (5/8 x 2 x 9-1/8")

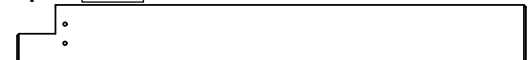
2pc. - **0330** - 15.9 x 50.8 x 932.2 - Top Roof Side Left - 38033036

 (5/8 x 2 x 36-11/16")


2pc. - **0337** - 15.9 x 50.8 x 932.2 - Top Roof Side Right - 38033736

 (5/8 x 2 x 36-11/16")

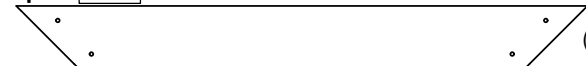
3pc. - **0315** - 15.9 x 76.2 x 673.1 - Chalkwall Support - 38031536

 (5/8 x 3 x 26-1/2")

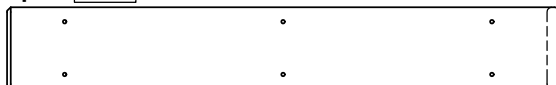
1pc. - **0314** - 15.9 x 82.6 x 616mm - Short Cafe Gable - 38031436

 (5/8 x 3-1/4 x 24-1/4")

1pc. - **0379** - 15.9 x 82.6 x 755.6 - Gable Block Short - 38037936

 (5/8 x 3-1/4 x 29-3/4")

2pc. - **0332** - 15.9 x 108 x 730.3 - Cafe Roof - 38033236

 (5/8 x 4-1/4 x 28-3/4")

1pc. - **0378** - 15.9 x 108 x 971.6 - Gable Block - 38037836

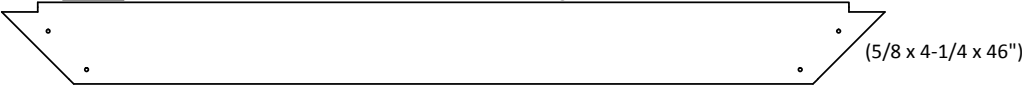
 (5/8 x 4-1/4 x 38-1/4")

Part Identification (Reduced Part Size)

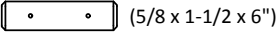
1pc. - **0317** - 15.9 x 108 x 958.9 - Long Cafe Gable - 38031736



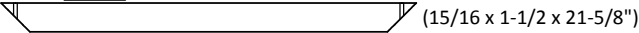
1pc. - **0312** - 15.9 x 108 x 1168.4 - Gable Block Long - 38031236



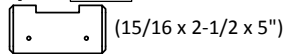
8pc. - **0318** - 15.9 x 38.1 x 152.4 - Tie Block - 38031836



1pc. - **0313** - 23.8 x 38.1 x 549.3 - Roof Gable Support - 38031336



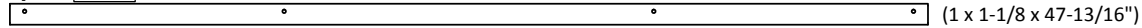
1pc. - **0319** - 23.8 x 63.5 x 127 - Door Latch Block - 38031936



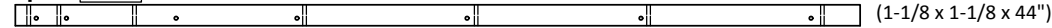
1pc. - **0390** - 23.8 x 108 x 762.1 - Cafe Table Top (Green) - 38039001



1pc. - **0371** - 25.4 x 27.8 x 1214.4 - Front Bottom - 38037136



4pc. - **0369** - 27.8 x 27.8 x 1117.6 - Corner Trim - 38036936



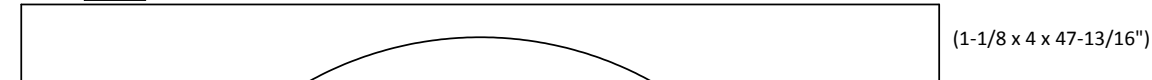
1pc. - **0374** - 27.8 x 101.6 x 1073.2 - Top Side Panel - 38037436



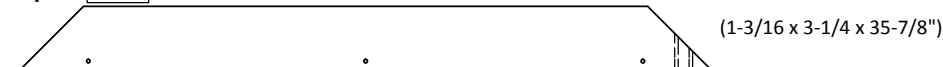
1pc. - **0370** - 27.8 x 101.6 x 1214.4 - Top Back Panel - 38037036



1pc. - **0372** - 27.8 x 101.6 x 1214.4 - Top Front Panel - 38037236



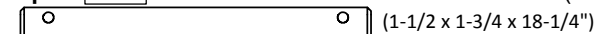
4pc. - **0316** - 30 x 82.6 x 911.5 - Roof Side - 38031636



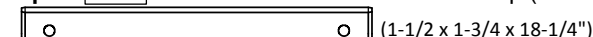
1pc. - **0620** - 38.1 x 38.1 x 317.5 - SI Brace - 3640620



1pc. - **0396** - 38.1 x 44.5 x 463.6 - Shutter Bottom (Green) - 38039601



1pc. - **0397** - 38.1 x 44.5 x 463.6 - Shutter Top (Green) - 38039701



Part Identification (Reduced Part Size)

1pc. - **[0345]** - 36.5 x 63.5 x 206.5 - Window Arch Assy (Green) - 38034501



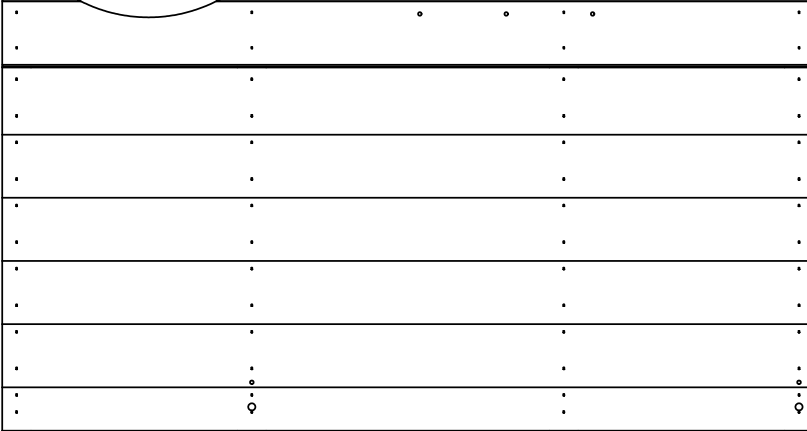
(1-7/16 x 2-1/2 x 8-1/8")

2pc. - **[0393]** - 28.6 x 190 x 419.1 - Shutter Assy (Green) - 38039301



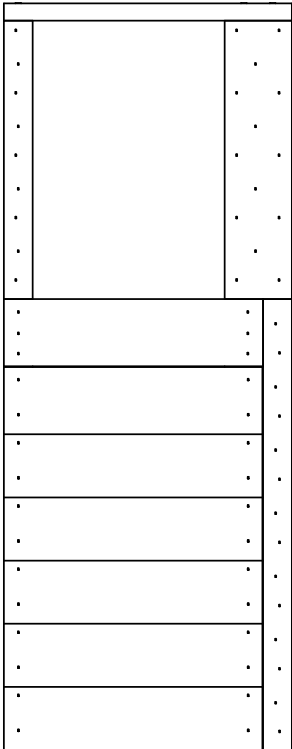
(1-1/8 x 7-1/2 x 16-1/2")

1pc. - **[0335]** - 27.8 x 571.5 x 1073.2 - Half Wall Panel - 38033536

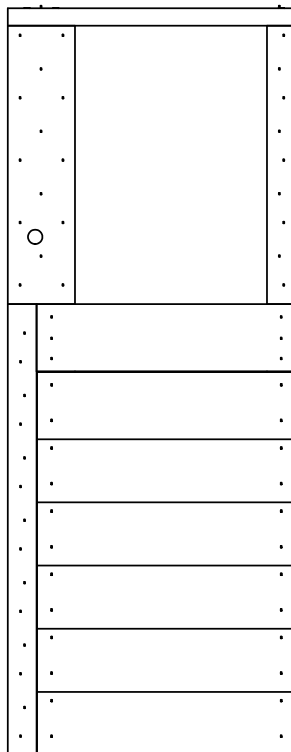


(1-1/8 x 22-1/2 x 42-1/4")

1pc. - **[0322]** - 27.8 x 381 x 990.6 - Front Left Wall - 38032236

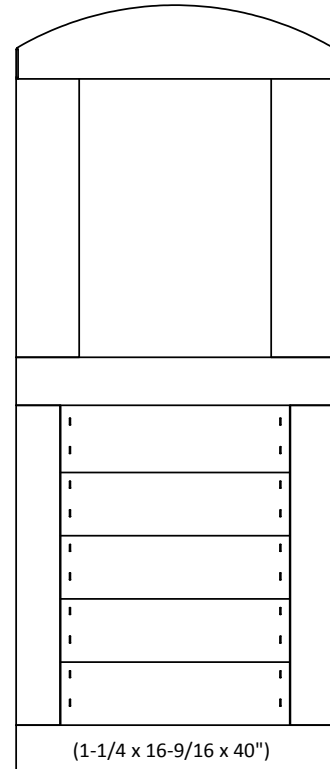


(1-1/8 x 15 x 38-7/8")



(1-1/8 x 15 x 38-7/8")

1pc. - **[0333]** - 27.8 x 381 x 990.6 - Front Right Wall - 38032336

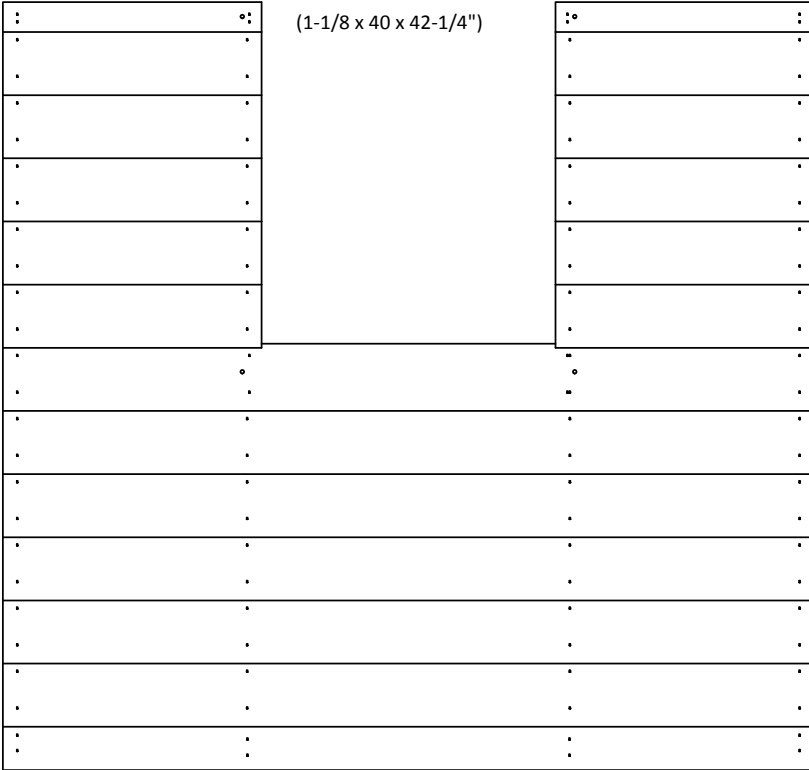


(1-1/4 x 16-9/16 x 40")

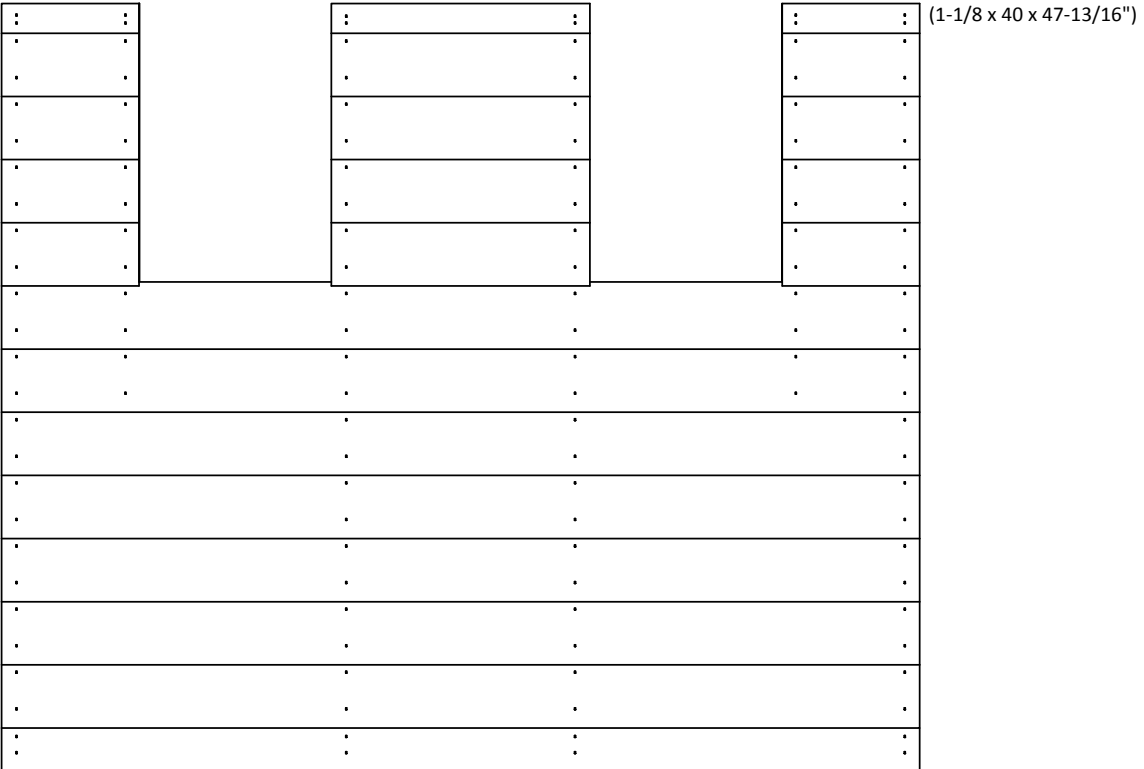
1pc. - **[0329]** - 31.8 x 420.7 x 1015.9 - Door Panel Assy (Green) - 38032901

Part Identification (Reduced Part Size)

1pc. - **0324** - 27.8 x 1016 x 1073.2 - Shutter Wall Panel - 38032436

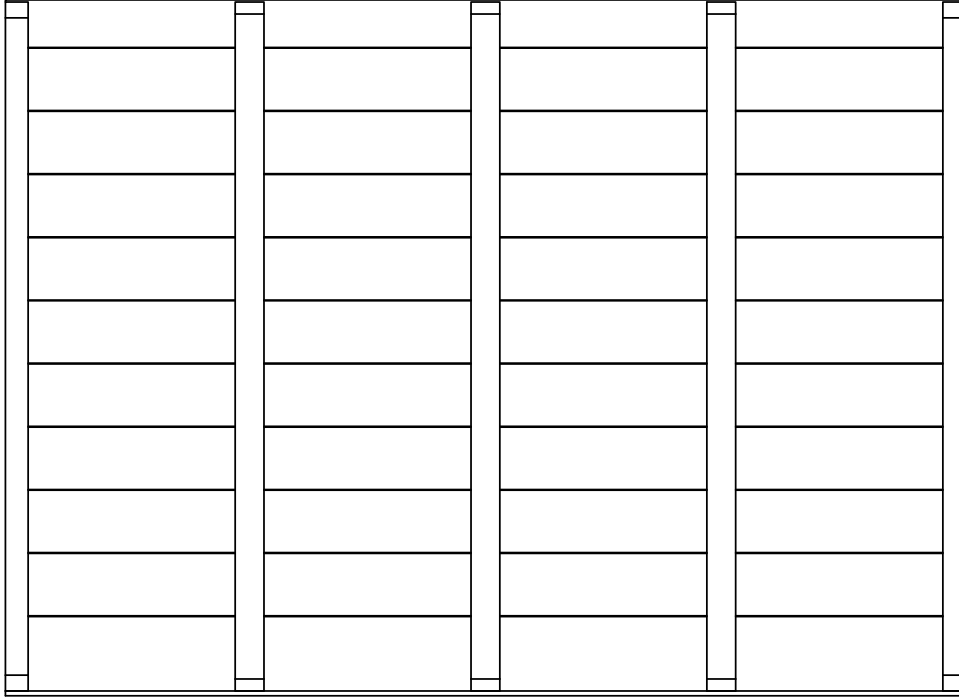


1pc. - **0325** - 27.8 x 1016 x 1214.4 - Back Wall Panel - 38032536



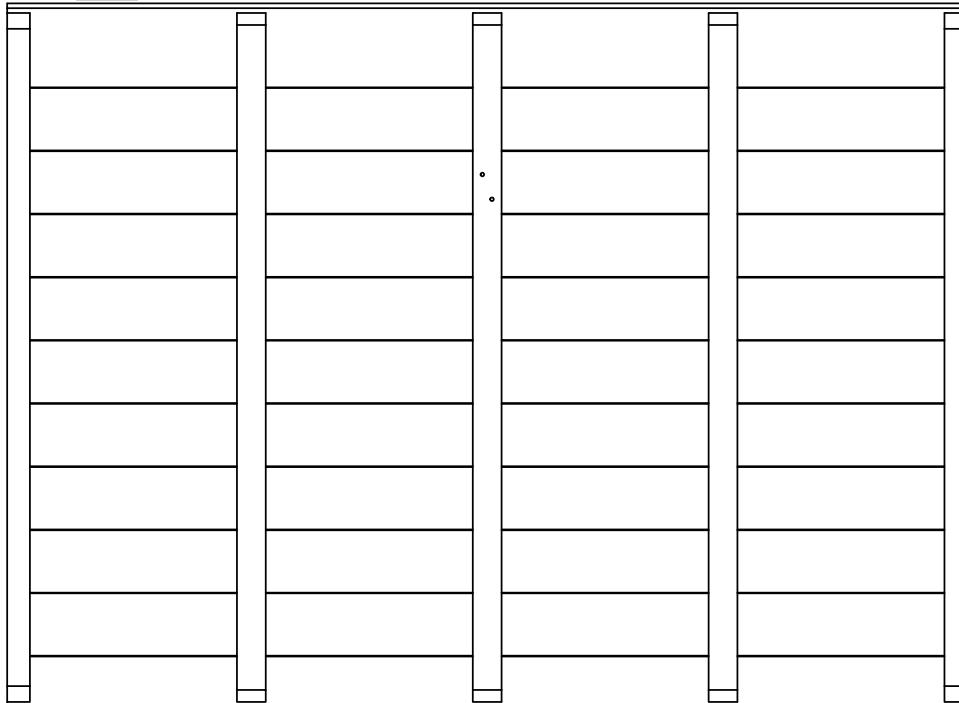
Part Identification (Reduced Part Size)

1pc. - **0320** - 33.7 x 920.5 x 1270 - Back Roof Panel - 38032036



(1-5/16 x 36-1/4 x 50")

1pc. - **0321** - 33.7 x 926.9 x 1270 - Front Roof Panel - 38032136



(1-5/16 x 36-1/2 x 50")

Hardware Identification (Actual Size)

8pc. (S3) - Wood Screw #8 x 2-1/2" - (52045522)



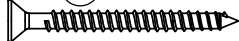
16pc. (S15) - Wood Screw #8 x 1-3/4" - (52045513)



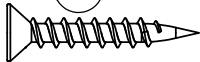
92pc. (S2) - Wood Screw #8 x 1-1/2" - (52045512)



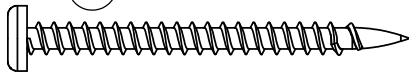
9pc. (TS) - Trim Screw #6 x 30mm - (52955911)



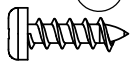
8pc. (S18) - Wood Screw #6 x 1" - (52015910)



70pc. (S26) - Pan Screw #8 x 2" - (52445520)



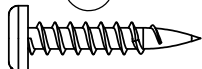
76pc. (S13) - Pan Screw #6 x 5/8" - (9264990)



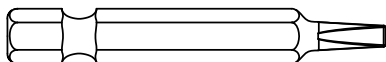
17pc. (S0) - Truss Screw #8 x 7/8" - (52935505)



2pc. (S10) - Pan Screw #8 x 1" - (52435510)

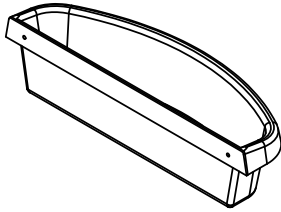


1pc. - #2 Robertson Driver (2") - (9200014)

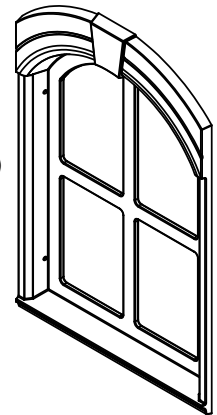


Part Identification (Reduced Part Size)

1x - Flower Box Set (Green)(2Pk)
(3320402)



1x - Shutter Pivot
w. hardware (4Pk)
(3320790)



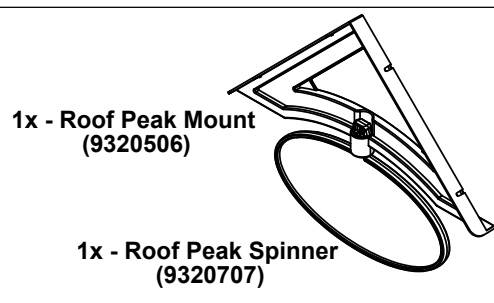
5x - Playhouse Window Deep
(9320539)

1x - Corner Bracket Set (11Pk)
(3201571)



1x - Playhouse Window Deep (White) (5Pk)
(3320539)

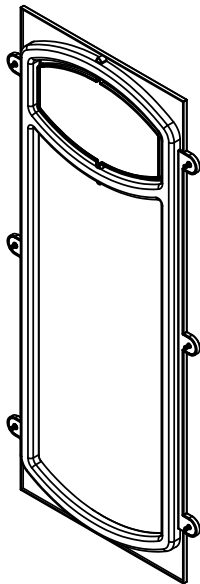
1x - Roof Peak Spin Sign (3320506)



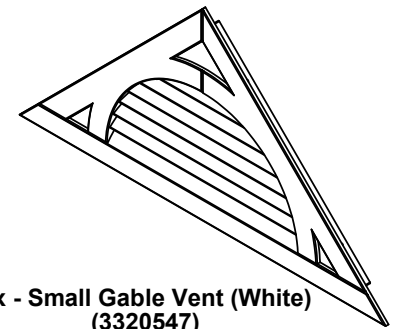
1x - Roof Peak Mount
(9320506)

1x - Roof Peak Spinner
(9320707)

1x - Playhouse Plaque
(9320360)

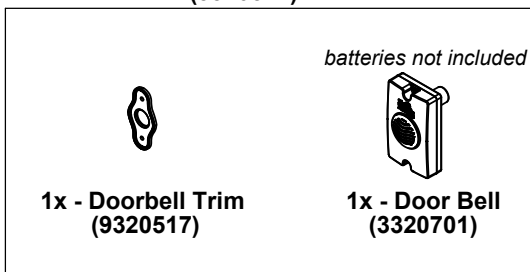


1x - Spin Chalk Sign
(3320715)



1x - Small Gable Vent (White)
(3320547)

1x - Door Bell/Door Trim Set
(3320517)

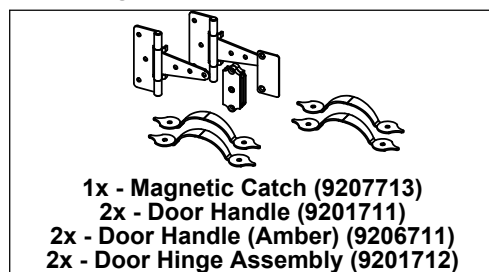


batteries not included

1x - Doorbell Trim
(9320517)

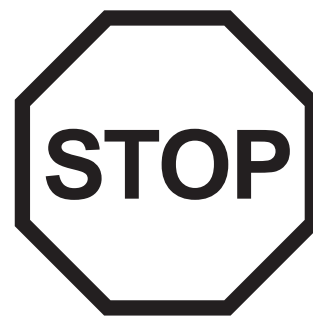
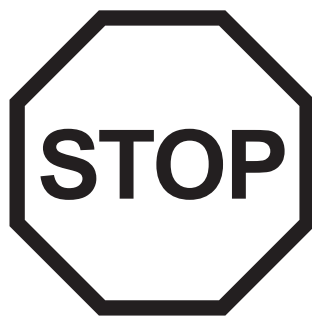
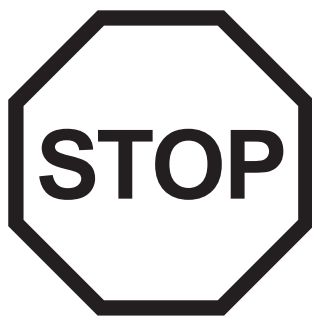
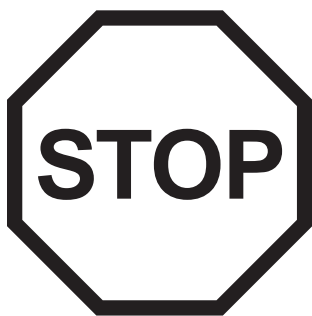
1x - Door Bell
(3320701)

1x - Georgian Door Hardware (3206711)



1x - Magnetic Catch (9207713)
2x - Door Handle (9201711)
2x - Door Handle (Amber) (9206711)
2x - Door Hinge Assembly (9201712)

Step 1: Inventory Parts - Read This Before Starting Assembly



- A.** This is the time for you to inventory all your hardware, wood and accessories, referencing the parts identification sheets. This will assist you with your assembly.
- The wood pieces will have the four digit key number stamped on the ends of the boards. The wood pieces are referenced throughout the instructions with this number.
 - Please refer to Page 6 for proper hardware assembly.
 - Each step indicates which bolts and/or screws you will need for assembly, as well as any flat washers, lock washers, t-nuts or lock nuts.
- B.** If there are any missing or damaged pieces or you need assistance with assembly please contact the Consumer Relations Department directly. Call us before going back to the store.

1-877-966-3738
support@solowavedesign.com

- C.** Read the assembly manual completely, paying special attention to ANSI warnings; notes; and safety/maintenance information on pages 1 - 6.
- D.** Before you discard your cartons fill out the form below.
- The carton I.D. stamp is located on the end of each carton. The tracking number is located on the Big Backyard ID Plaque (3320356).
 - Please retain this information for future reference. You will need this information if you contact the Consumer Relations Department.

MODEL NUMBER: P280080

CARTON I.D. STAMP: _ _ _ _ 14459 _ (Box 1)

CARTON I.D. STAMP: _ _ _ _ 14459 _ (Box 4)

CARTON I.D. STAMP: _ _ _ _ 14459 _ (Box 2)

CARTON I.D. STAMP: _ _ _ _ 14459 _ (Box 5)

CARTON I.D. STAMP: _ _ _ _ 14459 _ (Box 3)

CARTON I.D. STAMP: _ _ _ _ 14459 _ (Box 6)

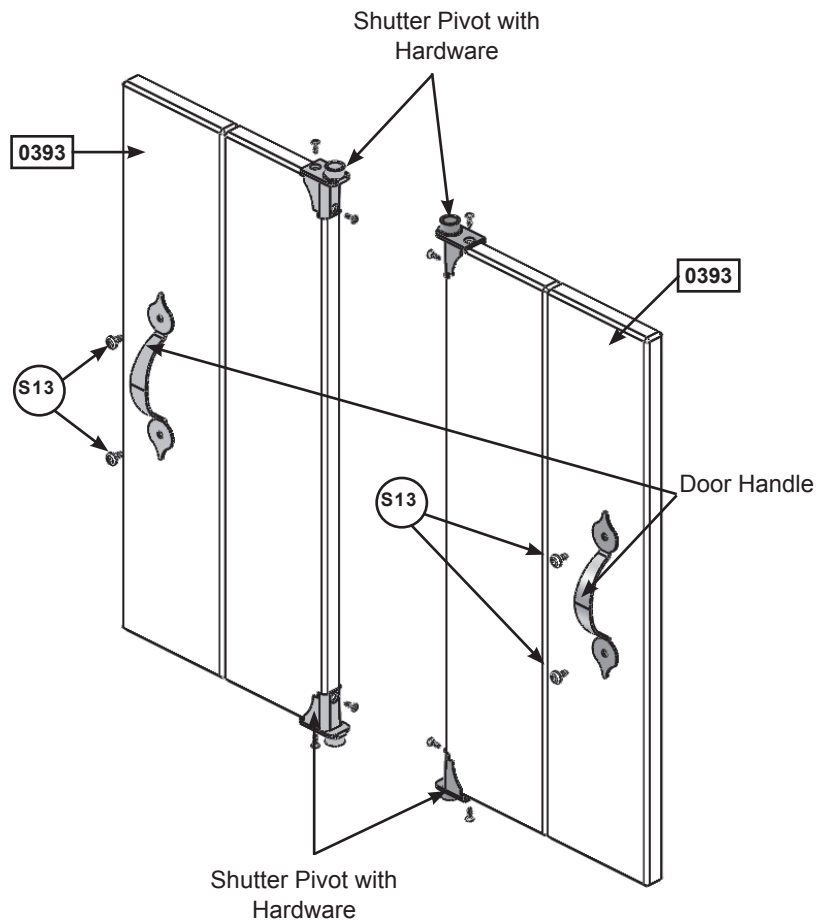
TRACKING NUMBER (from ID Plaque): _____

Step 2: Shutter Assembly

A: Place 1 Door Handle on each (0393) Shutter Assembly centred over 1 panel as shown in fig. 2.1. Attach with 2 (S13) #6 x 5/8" Pan Screws per handle.

B: On the opposite side as the Door Handles attach 2 Shutter Pivots to each (0393) Shutter Assembly using provided hardware, as shown in fig. 2.1.

Fig. 2.1



Wood Parts

2 x 0393 Shutter Assembly 1-1/8 x 7-1/2 x 16-1/2"

Hardware

4 x S13 #6 x 5/8" Pan Screw

Other Parts

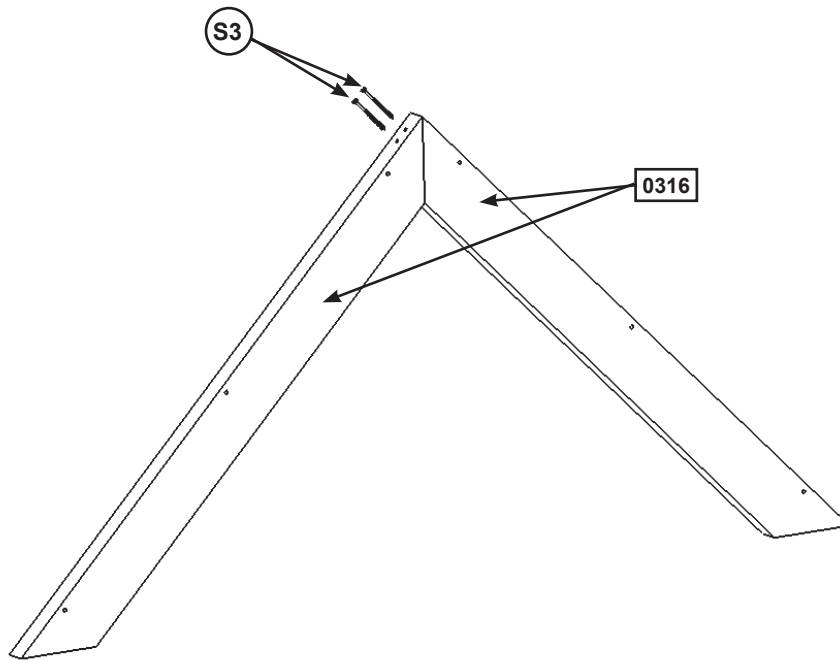
4 x Shutter Pivot with hardware
2 x Door Handle (Amber)

Step 3: Roof Assembly

Part 1

A: Attach 1 (0316) Roof Side to another flush at the peak using 2 (S3) #8 x 2-1/2" Wood Screws. Do this twice so you have 2 Roof Support Assemblies. (fig. 3.1)

Fig. 3.1



Wood Parts

4 x 0316 Roof Side 1-3/16 x 3-1/4 x 35-7/8"

Hardware

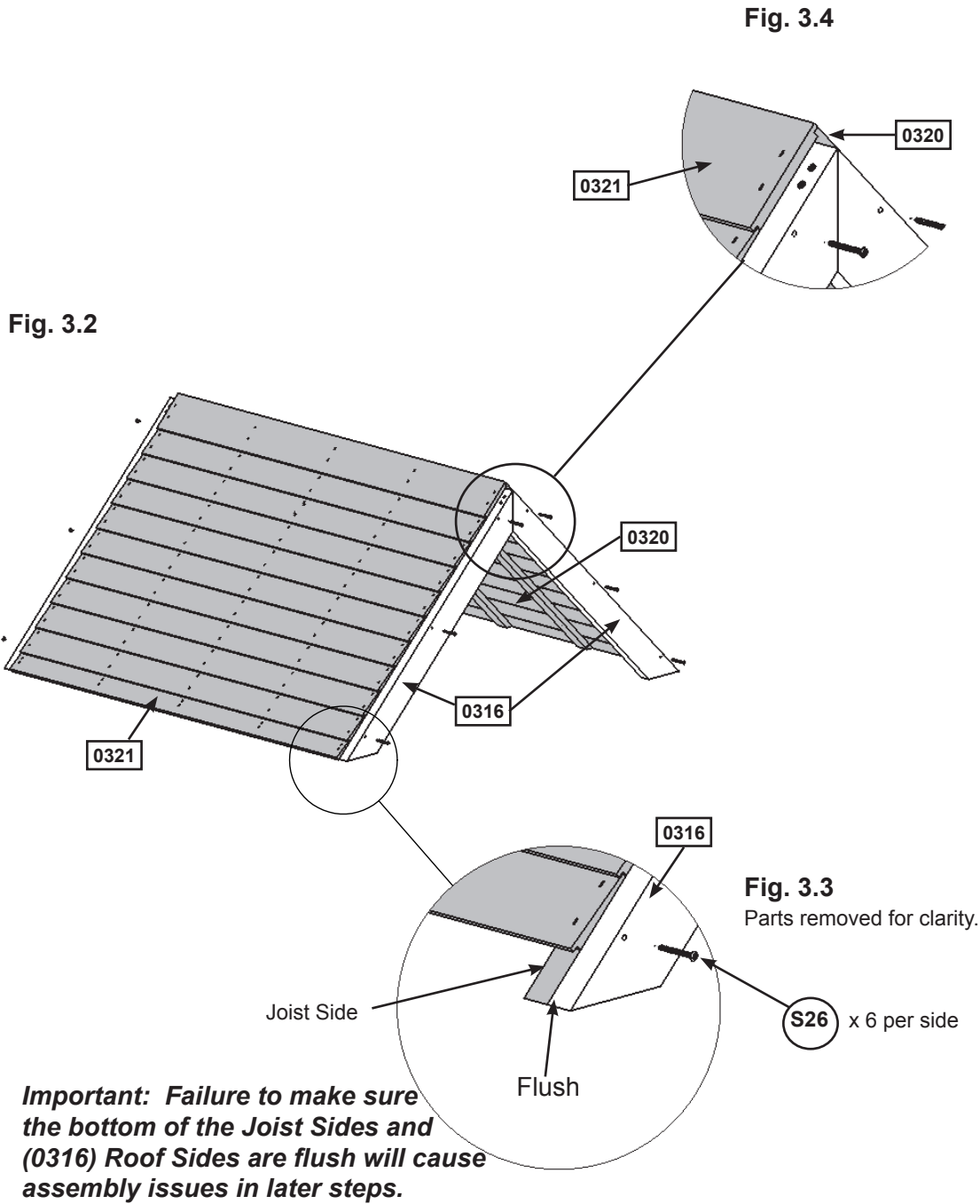
4 x S3 #8 x 2-1/2" Wood Screw

Step 3: Roof Assembly

Part 2

B: Place (0320) Back Roof Panel and (0321) Front Roof Panel on each of the Roof Support Assemblies so the Joist Sides of the Roof Panels are flush to the bottoms of each (0316) Roof Side. (fig. 3.2 and 3.3) The (0321) Front Roof Panel must overlap the (0320) Back Roof Panel and connect tightly. (fig. 3.4)

C: Attach each Roof Support Assembly to the Roof Panels with 6 (S26) #8 x 2" Pan Screws per side. (fig. 3.2)



Wood Parts

- 1 x 0321 Front Roof Panel 1-5/16 x 36-1/2 x 50"
- 1 x 0320 Back Roof Panel 1-5/16 x 36-1/4 x 50"

Hardware

- 12 x S26 #8 x 2" Pan Screw

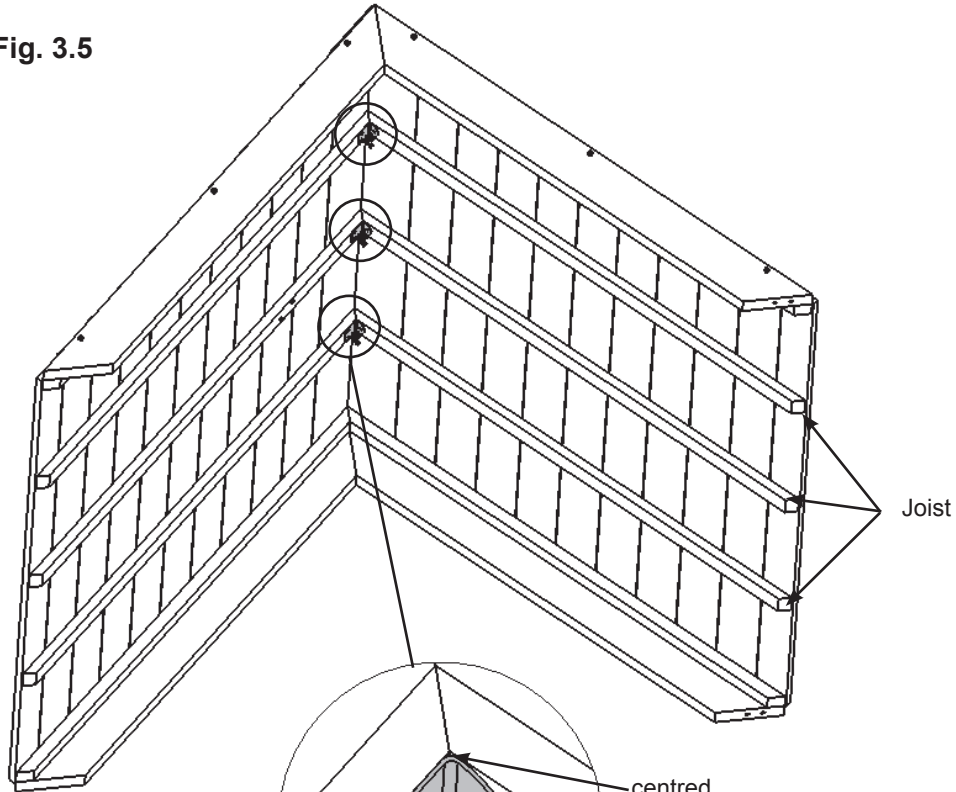
Step 3: Roof Assembly

Part 3

D: From underneath the Roof Assembly centre 1 Corner Bracket on each Joist and attach with 3 (S13) #6 x 5/8" Pan Screws per bracket as shown in fig. 3.5 and 3.6.

View from Underneath

Fig. 3.5



Corner Bracket

centred

Fig. 3.6

(S13) x 3 per bracket

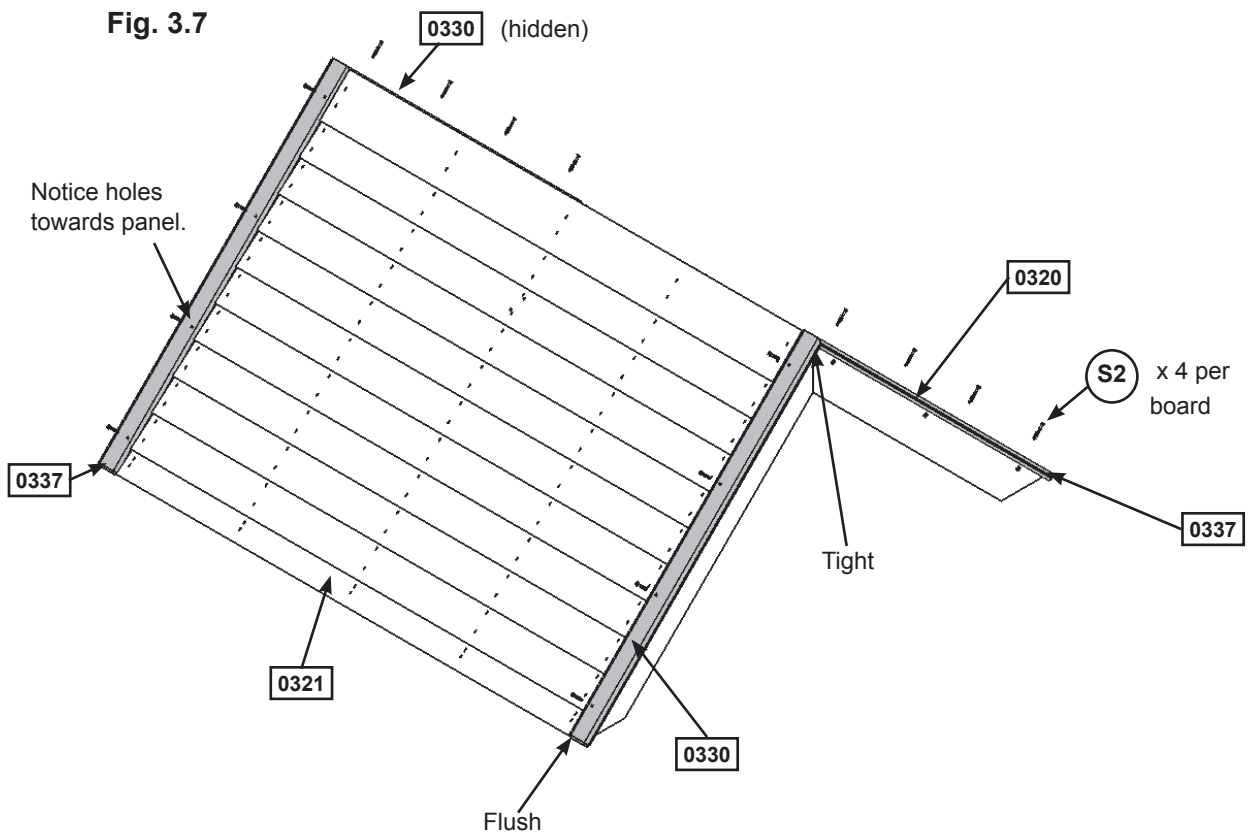
Hardware
9 x (S13) #6 x 5/8" Pan Screw

Other Parts
3 x Corner Bracket

Step 3: Roof Assembly

Part 4

E: Tight to the Roof Panels attach 1 (0330) Top Roof Side Left and 1 (0337) Top Roof Side Right to each Roof Support Assembly with 4 (S2) #8 x 1-1/2" Wood Screws per board so the peaks are tight and the bottom of each board is flush to the bottom of each Roof Panel. Notice the pilot holes are towards the Roof Panel. (fig. 3.7)



Wood Parts

- 2 x 0330 Top Roof Side Left 5/8 x 2 x 36-11/16"
- 2 x 0337 Top Roof Side Right 5/8 x 2 x 36-11/16"

Hardware

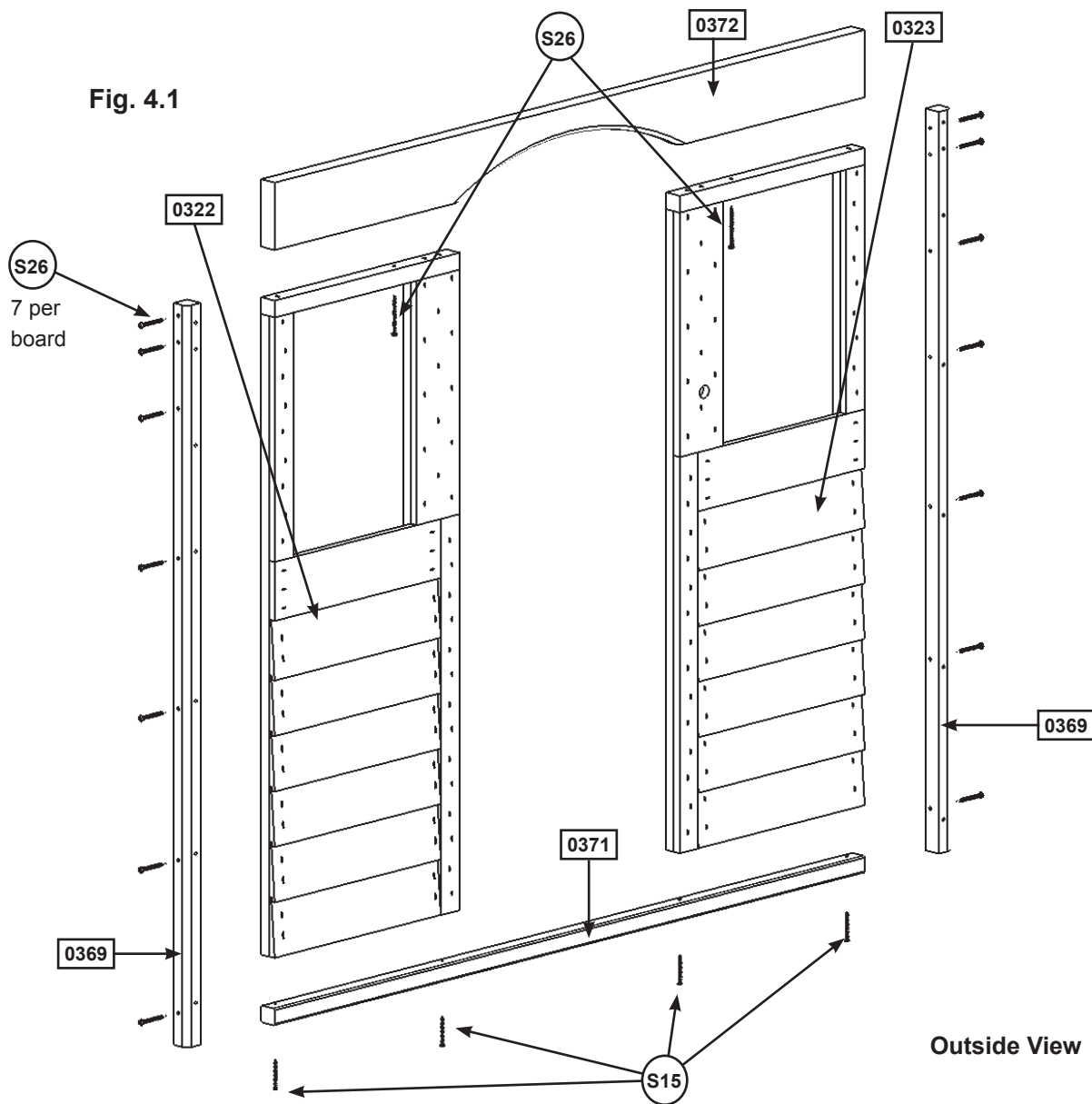
- 16 x (S2) #8 x 1-1/2" Wood Screw

Step 4: Front Wall Assembly

A: Place (0372) Top Front Panel on top of (0322) Front Left Wall and (0323) Front Right Wall so the ends are flush. Attach from the opening in the Front Left and Right Walls with 2 (S26) #8 x 2" Pan Screws. (fig. 4.1)

B: Place (0371) Front Bottom to the bottom of (0322) Front Left Wall and (0323) Front Right Wall so the ends are flush with the outside edge of each Wall and attach with 4 (S15) #8 x 1-3/4" Wood Screws. The pilot holes in (0371) Front Bottom should be towards the back of the panel. (fig. 4.1)

C: Flush to the back edges of the (0322) Front Left Wall and (0323) Front Right Wall attach 1 (0369) Corner Trim to each Wall and to (0372) Top Front Panel with 7 (S26) #8 x 2" Pan Screws per (0369) Corner Trim. (fig. 4.1)



Wood Parts

- 1 x 0322 Front Left Wall 1-1/8 x 15 x 38-7/8"
- 1 x 0323 Front Right Wall 1-1/8 x 15 x 38-7/8"
- 1 x 0372 Top Front Panel 1-1/8 x 4 x 47-13/16"
- 2 x 0369 Corner Trim 1-1/8 x 1-1/8 x 44"
- 1 x 0371 Front Bottom 1 x 1-1/8 x 47-13/16"

Hardware

- 16 x S26 #8 x 2" Pan Screw
- 4 x S15 #8 x 1-3/4" Wood Screw

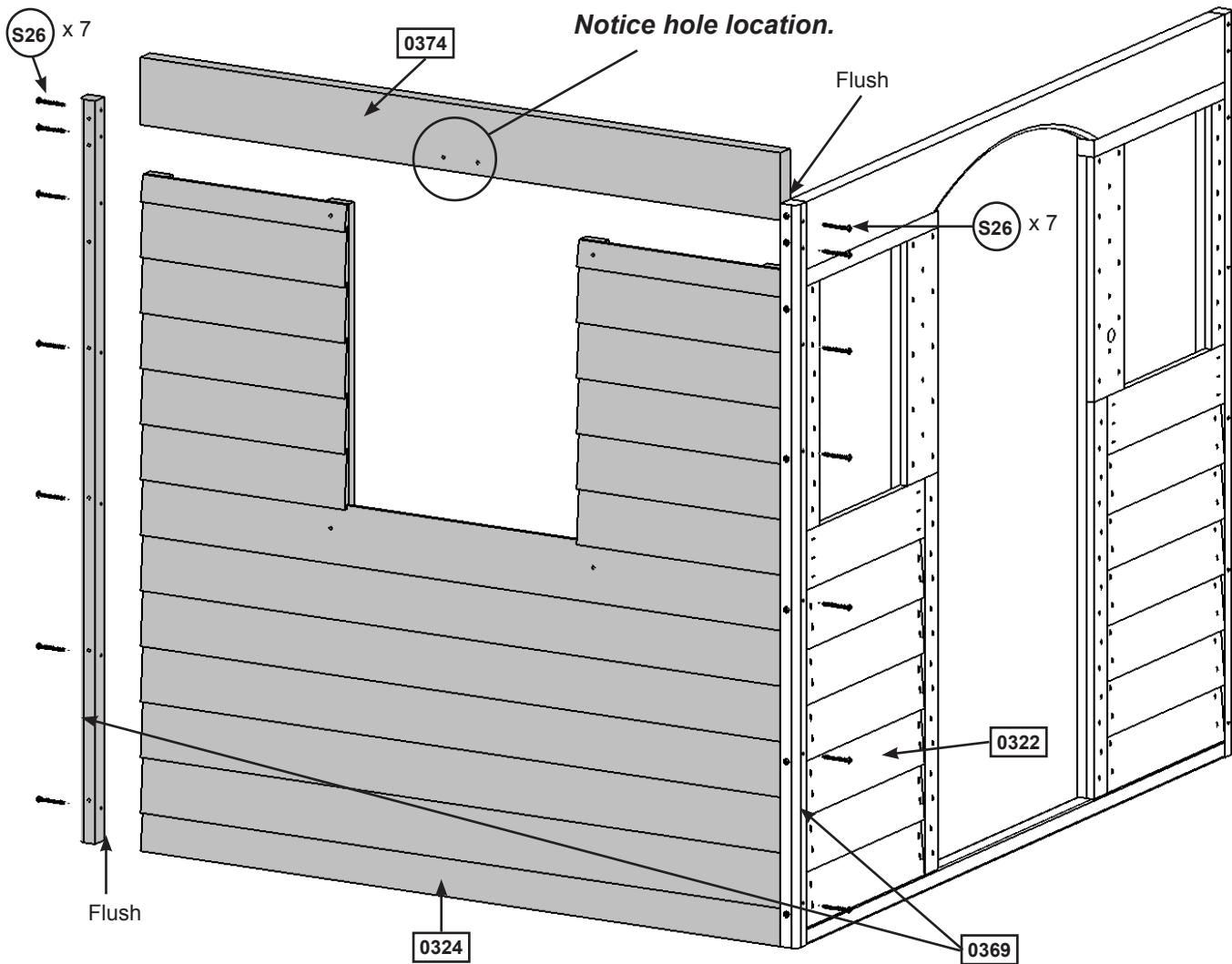
Step 5: Window Wall Assembly

A: Place (0324) Shutter Wall Panel tight to (0369) Corner Trim on (0322) Front Left Wall so the inside board is flush to the inside edge of (0369) Corner Trim. Attach (0369) Corner Trim to (0324) Shutter Wall Panel with 5 (S26) #8 x 2" Pan Screws. (fig. 5.1)

B: Place (0374) Top Side Panel on top of (0324) Shutter Wall Panel so the inside edges are flush. Notice the middle pilot holes are towards the bottom of the board. Attach (0369) Corner Trim to (0374) Top Side Panel with 2 (S26) #8 x 2" Pan Screws. (fig. 5.1)

C: Flush to the inside edges of the (0324) Shutter Wall Panel and (0374) Top Side Panel attach 1 (0369) Corner Trim with 7 (S26) #8 x 2" Pan Screws. (fig 5.1)

Fig. 5.1



Wood Parts

- 1 x 0369 Corner Trim 1-1/8 x 1-1/8 x 44"
- 1 x 0324 Shutter Wall Panel 1-1/8 x 40 x 42-1/4"
- 1 x 0374 Top Side Panel 1-1/8 x 4 x 42-1/4"

Hardware

- 14 x (S26) #8 x 2" Pan Screw

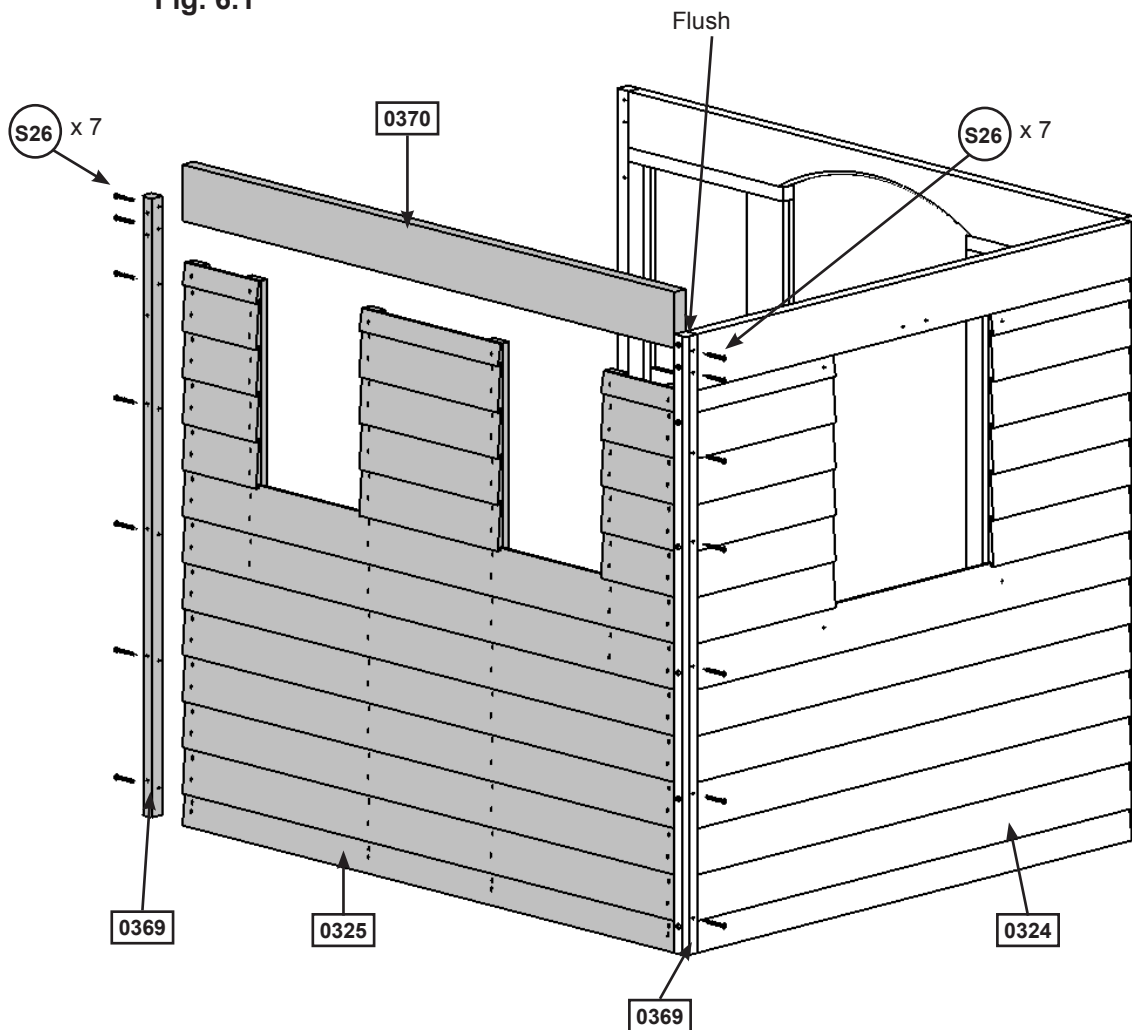
Step 6: Back Wall Assembly

A: Place (0325) Back Wall Panel tight to (0324) Shutter Wall Panel so the inside board is flush to the inside edge of (0369) Corner Trim. Attach (0369) Corner Trim to (0325) Back Wall Panel with 5 (S26) #8 x 2" Pan Screws. (fig. 6.1)

B: Place (0370) Top Back Panel on top of (0325) Back Wall Panel so the inside edges are flush. Attach (0369) Corner Trim to (0370) Top Back Panel with 2 (S26) #8 x 2" Pan Screws. (fig. 6.1)

C: Flush to the inside edges of the (0325) Back Wall Panel and (0370) Top Back Panel attach 1 (0369) Corner Trim with 7 (S26) #8 x 2" Pan Screws. (fig. 6.1)

Fig. 6.1



Wood Parts

- 1 x 0369 Corner Trim 1-1/8 x 1-1/8 x 44"
- 1 x 0370 Top Back Panel 1-1/8 x 4 x 47-13/16"
- 1 x 0325 Back Wall Panel 1-1/8 x 40 x 47-13/16"

Hardware

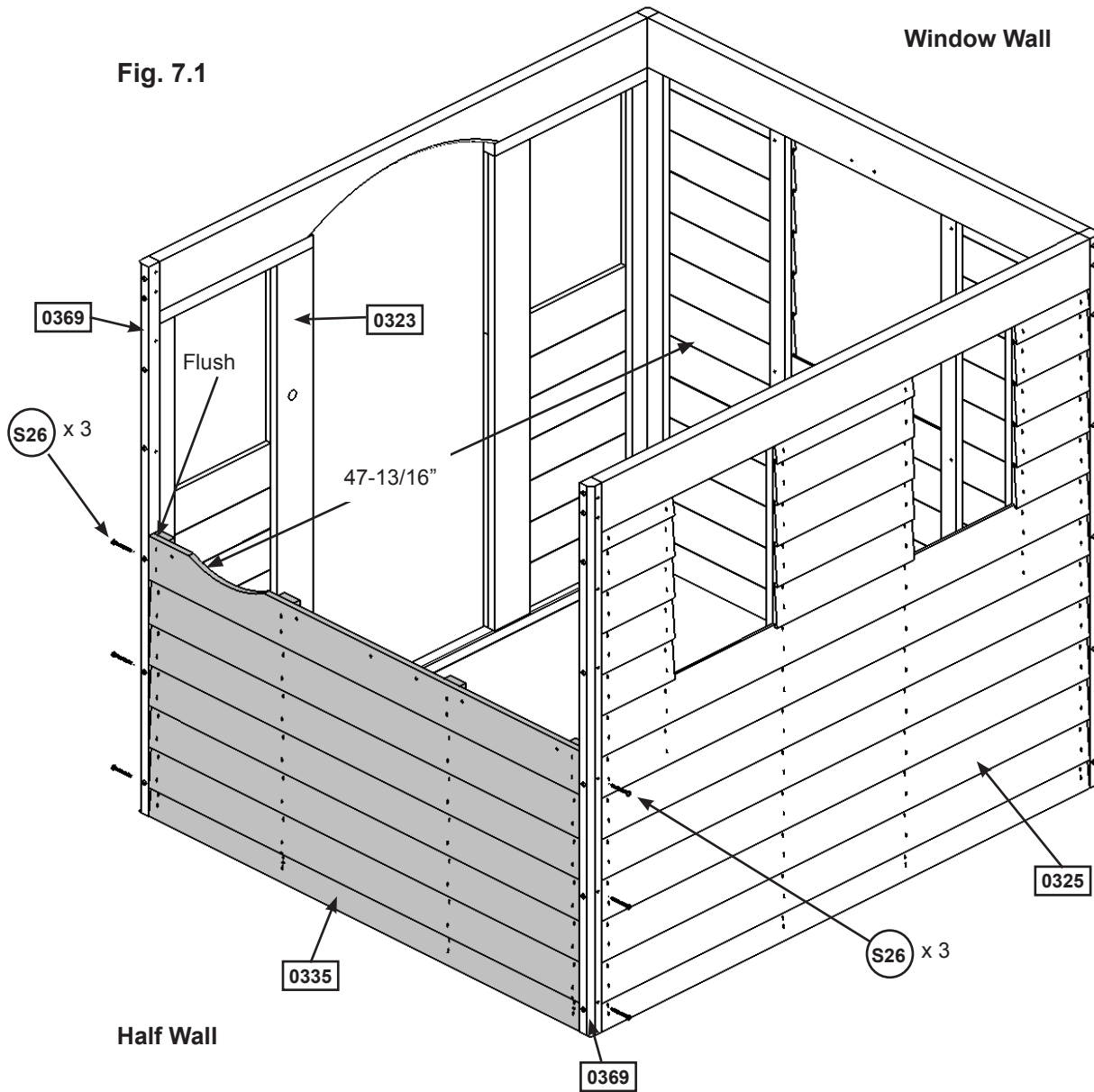
- 14 x (S26) #8 x 2" Pan Screw

Step 7: Half Wall Assembly



A: Place (0335) Half Wall Panel between (0323) Front Right Wall and (0325) Back Wall Panel so the inside edges are flush to the inside edges of both (0369) Corner Trims. Attach (0335) Half Wall Panel to both (0369) Corner Trims with 3 (S26) #8 x 2" Pan Screws per side. (fig. 7.1)

B: Maintain measurement of 47-13/16" between the inside of the Half Wall and Window Wall. (fig. 7.1)



Wood Parts

1 x 0335 Half Wall Panel 1-1/8 x 22-1/2 x 42-1/4"

Hardware

6 x S26 #8 x 2" Pan Screw

Step 8: Soffit Assembly

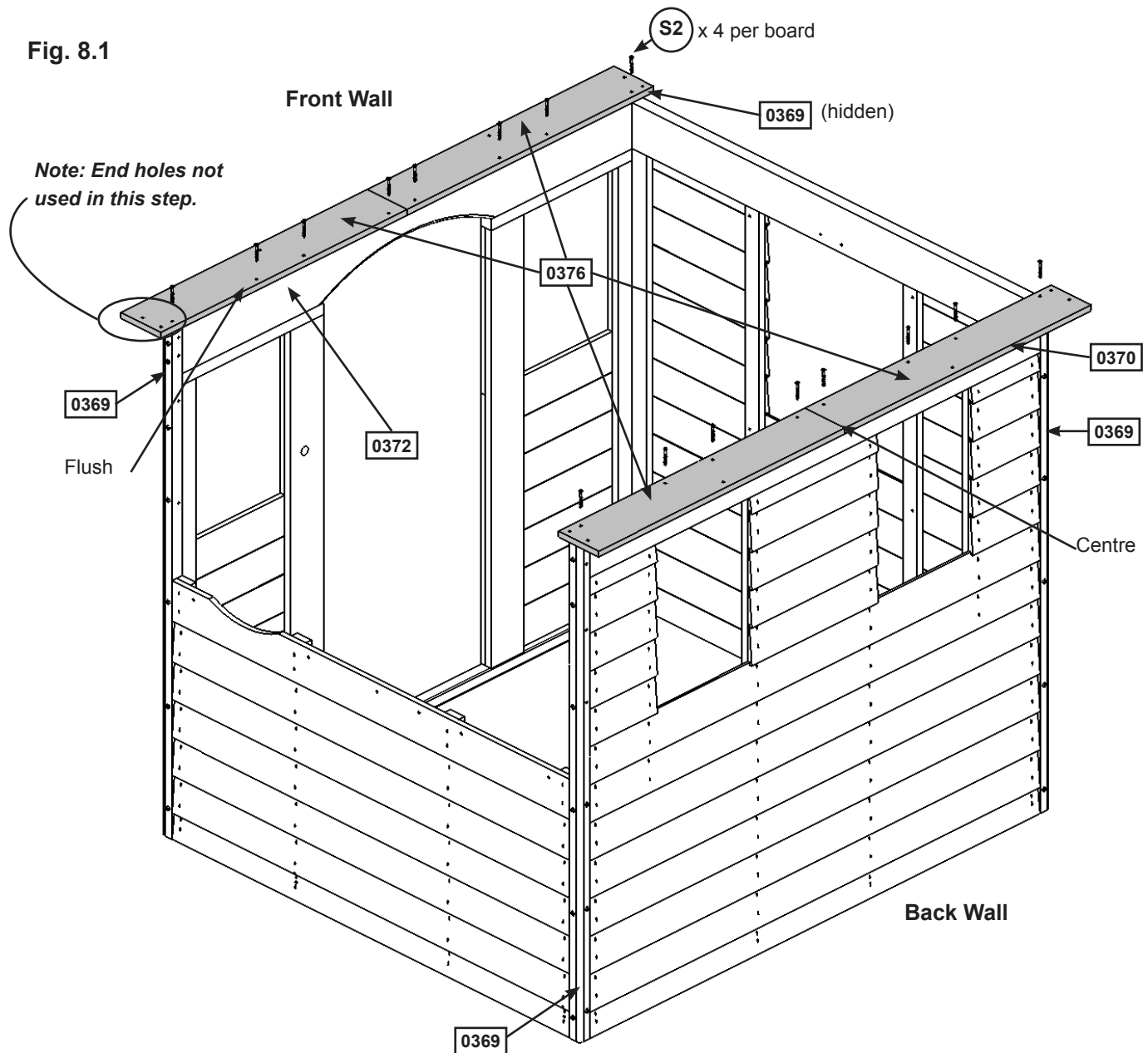


A: Mark the centre point of both (0372) Top Front Panel and (0370) Top Back Panel. (fig. 8.1)

B: Place 2 (0376) Soffit Wides tight together on top of (0372) Top Front Panel so the inside edges line up with the marked out spot from Step A. Use the pilot holes that are towards the inside of the assembly. Remaining holes will be used in the next step. Attach (0376) Soffit Wides to (0372) Top Front Panel and both (0369) Corner Trims with 4 (S2) #8 x 1-1/2" Wood Screws per board. (fig. 8.1)

C: Repeat Step B to attach 2 (0376) Soffit Wides to (0370) Top Back Panel. (fig. 8.1)

Fig. 8.1



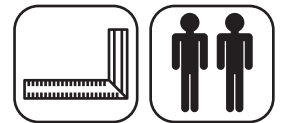
Wood Parts

4 x **0376** Soffit Wide 1/2 x 4-1/4 x 26-3/16"

Hardware

16 x **S2** #8 x 1-1/2" Wood Screw

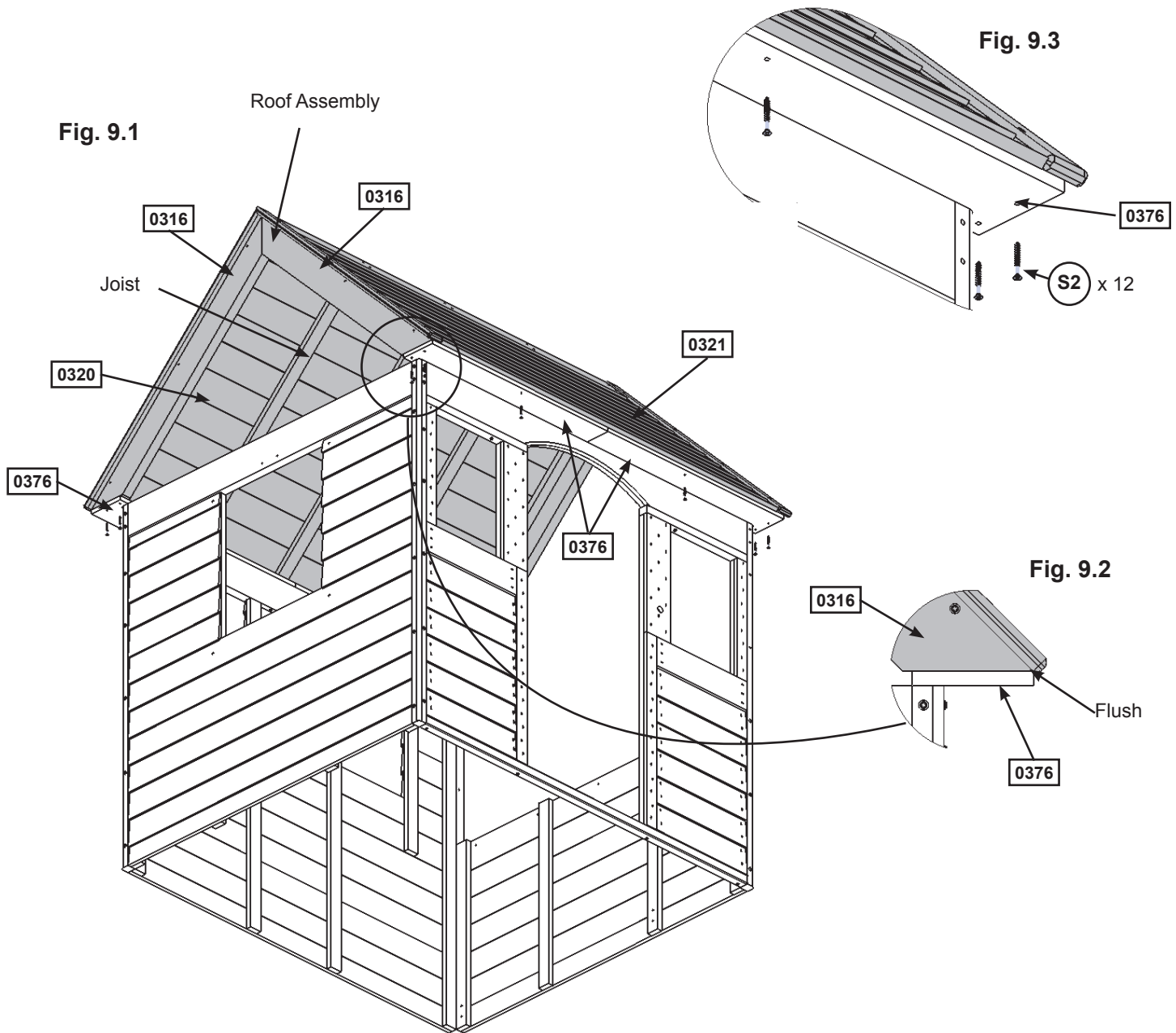
Step 9: Attach Roof to Assembly



Make sure assembly is square before proceeding in this Step.

A: With an adult helper lift the Roof Assembly from Step 3 onto the (0376) Soffit Wides so the tips of the (0316) Roof Sides are flush to the ends of each (0376) Soffit Wide. (fig. 9.1 and 9.2)

B: Attach (0376) Soffit Wides to Roof Assembly with 3 (S2) #8 x 1-1/2" Wood Screws per soffit. Make sure screws go into each (0316) Roof Side and the outside Joists in the Roof Assembly. (fig. 9.1 and 9.3)



Hardware

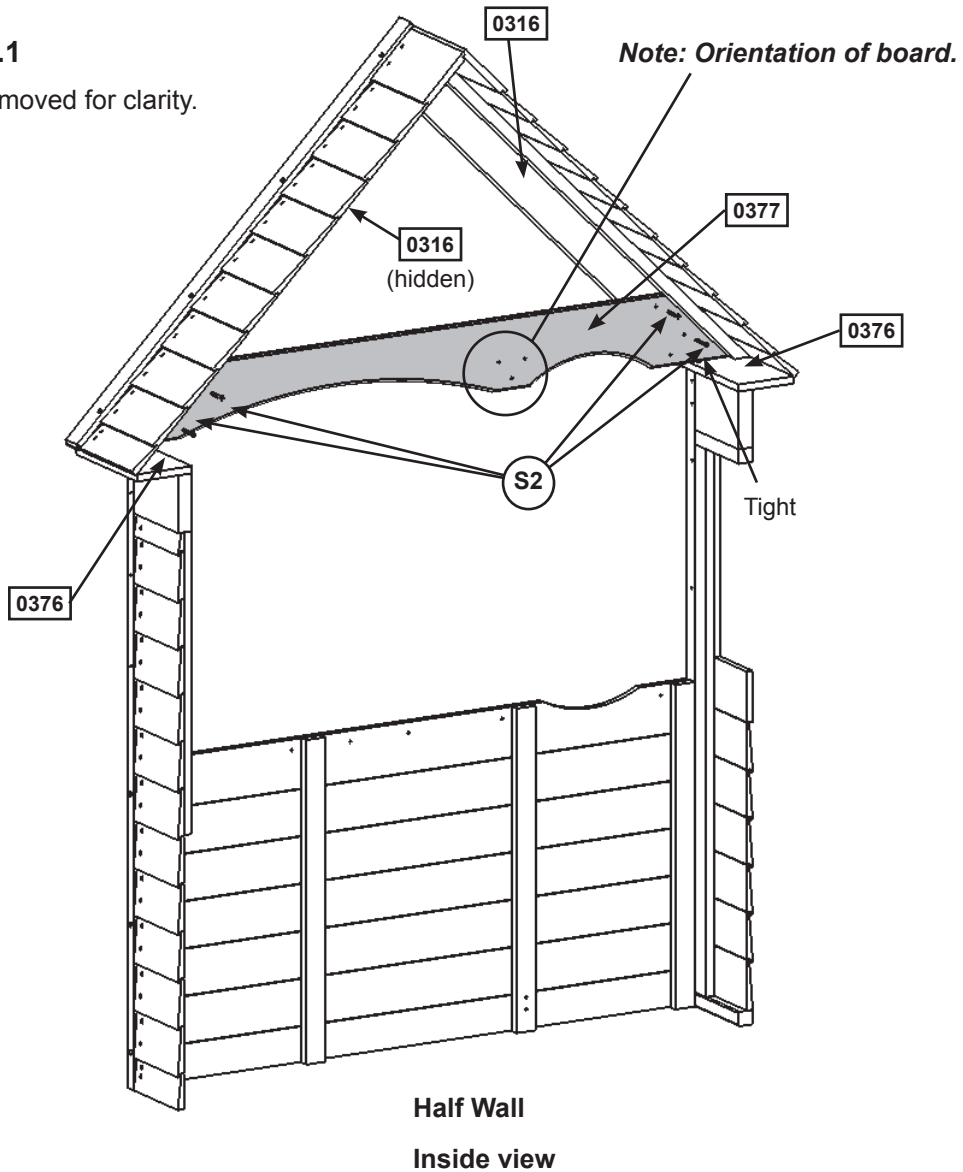
12 x (S2) #8 x 1-1/2" Wood Screw

Step 10: Attach Cafe Top

A: On the Half Wall Side place (0377) Cafe Top tight to top of (0376) Soffit Wides and attach to (0316) Roof Sides with 4 (S2) #8 x 1-1/2" Wood Screws. (fig. 10.1)

Fig. 10.1

Parts removed for clarity.



Wood Parts

1 x **0377** Cafe Top 7/16 x 5 x 48-1/4"

Hardware

4 x **S2** #8 x 1-1/2" Wood Screw

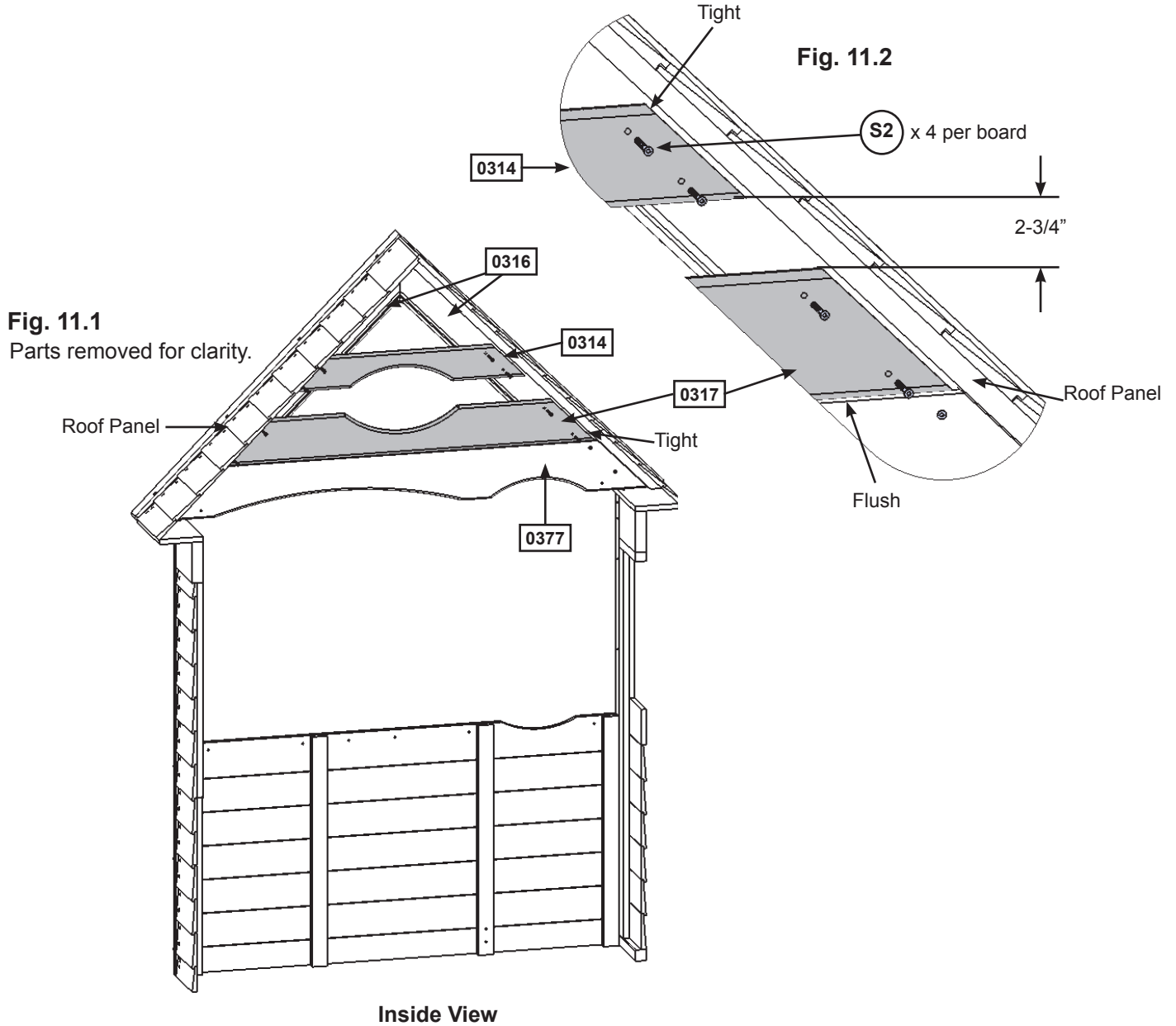
Step 11: Cafe Gable Assembly

Part 1



A: From inside the assembly place (0317) Long Cafe Gable tight to top of (0377) Cafe Top with arch facing up then attach to (0316) Roof Sides with 4 (S2) #8 x 1-1/2" Wood Screws. (fig. 11.1 and 11.2)

B: Measure 2-3/4" up from (0317) Long Cafe Gable and place (0314) Short Cafe Gable against the (0316) Roof Sides with arch facing down and tight to the Roof Panels then attach with 4 (S2) #8 x 1-1/2" Wood Screws. (fig. 11.1 and 11.2)



Wood Parts

- 1 x 0314 Short Cafe Gable 5/8 x 3-1/4 x 24-1/4"
- 1 x 0317 Long Cafe Gable 5/8 x 4-1/4 x 37-3/4"

Hardware

- 8 x (S2) #8 x 1-1/2" Wood Screw

Step 11: Upper Half Wall Assembly

Part 2



C: From inside the assembly place 3 (0315) Chalkwall Supports as shown in fig. 11.3, making sure the notched out ends fit around the supports on the inside of (0335) Half Wall Panel. The distance between the 2 closest boards should be maintained at 9-1/4". (fig. 11.3 and 11.4)

D: From the outside of the assembly attach the two outside (0315) Chalkwall Supports to (0377) Cafe Top and (0335) Half Wall Panel with 2 (S0) #8 x 7/8" Truss Screws per board. (fig. 11.3 and 11.4)

E: From the outside of the assembly attach the middle (0315) Chalkwall Support to (0377) Cafe Top with 3 (S0) #8 x 7/8" Truss Screws and to (0335) Half Wall Panel with 1 (S0) #8 x 7/8" Truss Screw. (fig. 11.3 and 11.4)

Fig. 11.3

Parts removed for clarity.

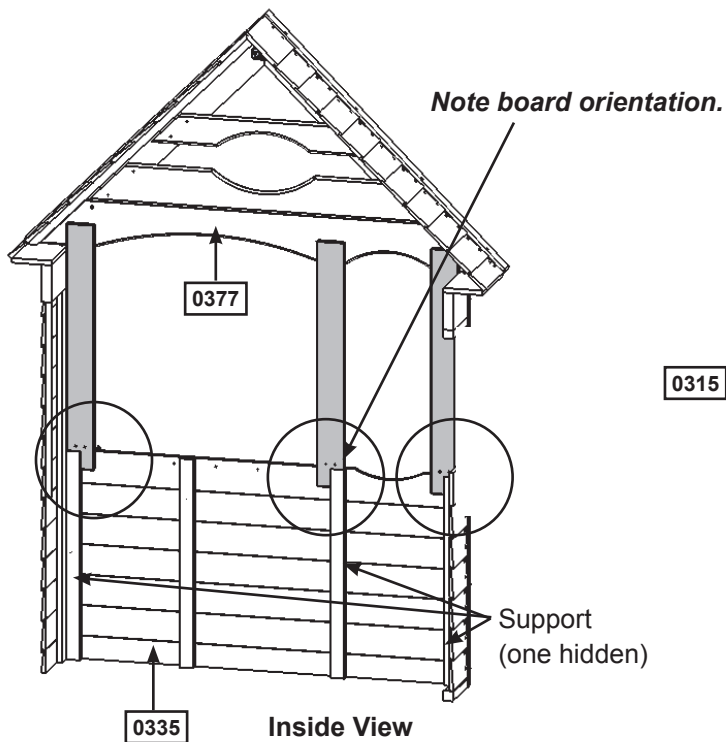
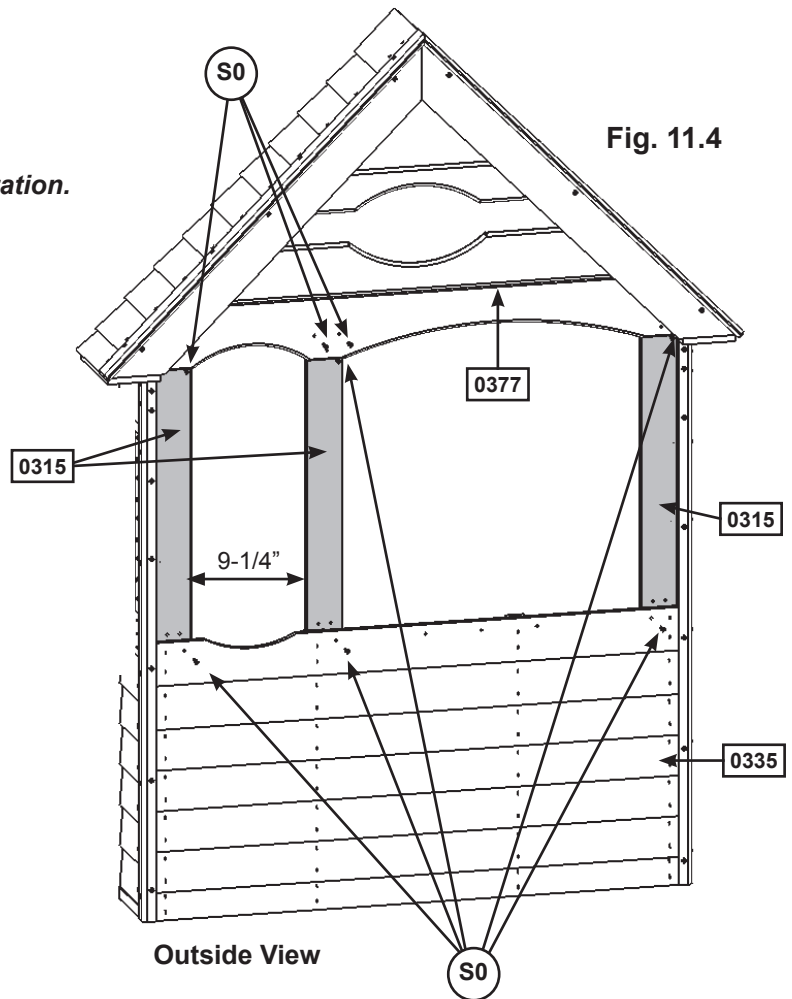


Fig. 11.4



Wood Parts

3 x 0315 Chalkwall Support 5/8 x 3 x 26-1/2"

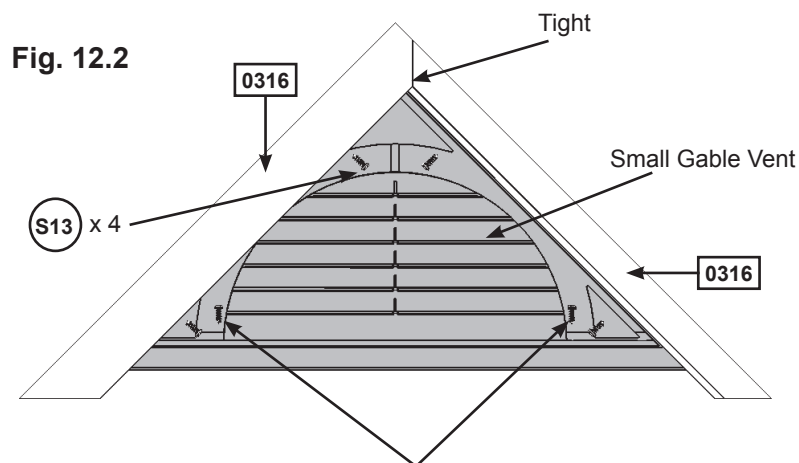
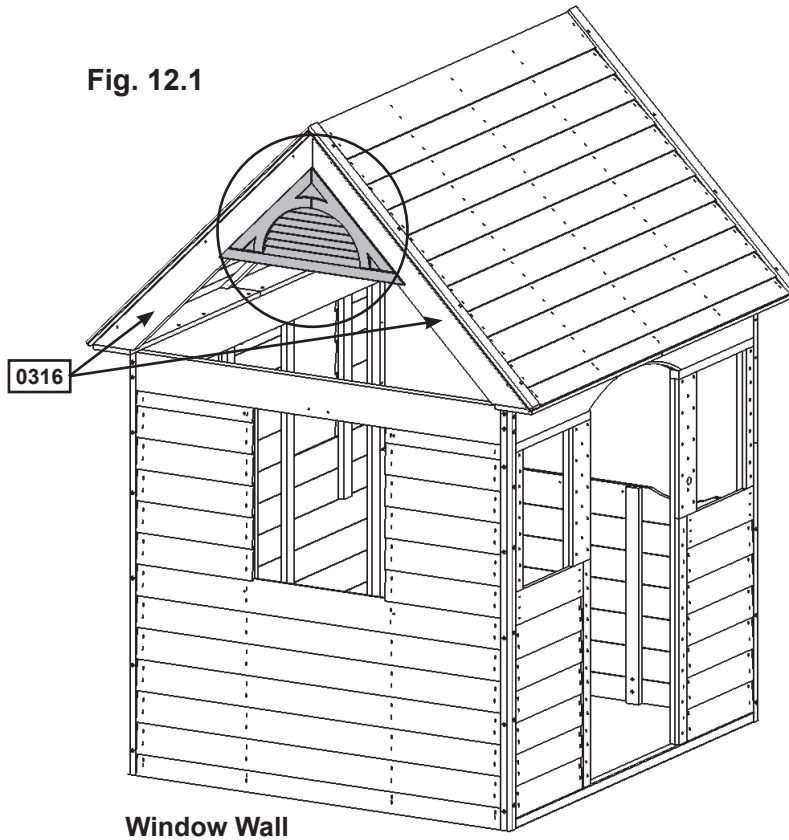
Hardware

8 x S0 #8 x 7/8" Truss Screw

Step 12: Window Wall Gable Assembly

Part 1

A: Place Small Gable Vent between the 2 (0316) Roof Sides on the Window Wall tight to the peak. From inside the assembly attach Small Gable Vent to (0316) Roof Sides with 4 (S13) #6 x 5/8" Pan Screws. (fig. 12.1 and 12.2) *Note 6 screws are shown in fig. 12.2, but only 4 are used. The remaining 2 will be used in the next step.*



Note: *These 2 screws shown for reference only. They are installed in Part 2.*

Hardware

4 x (S13) #6 x 5/8" Pan Screw

Wood Parts

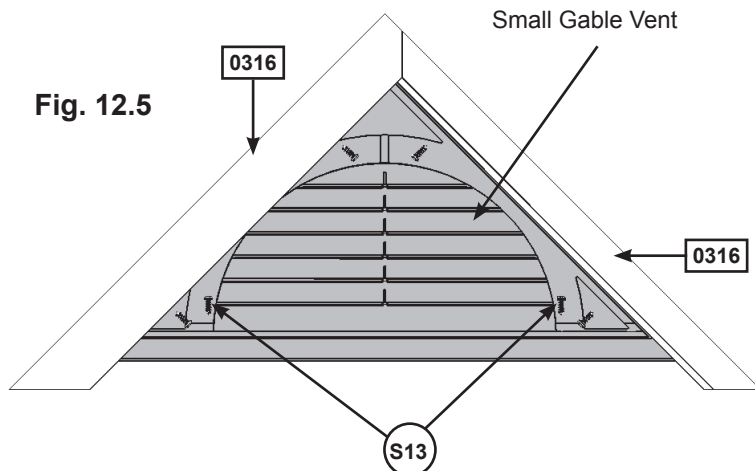
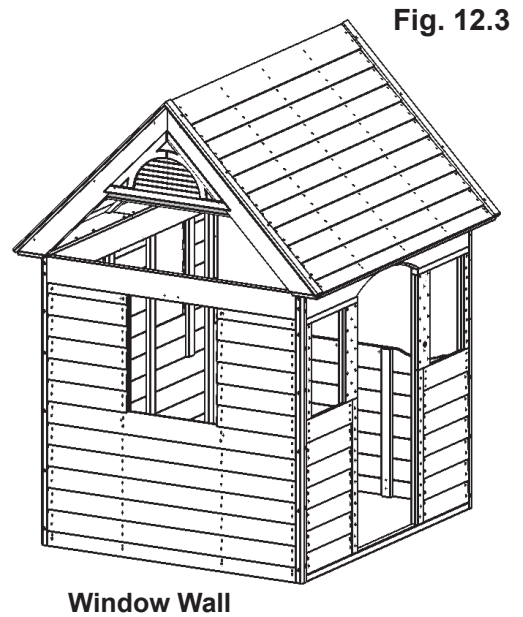
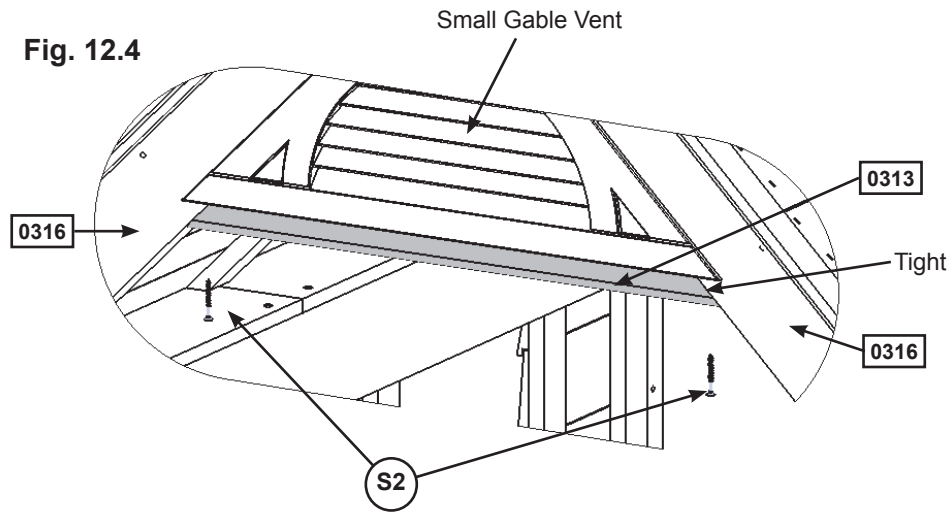
1 x Small Gable Vent

Step 12: Window Wall Gable Assembly

Part 2

B: Tight to both (0316) Roof Sides place (0313) Roof Gable Support and attach to both (0316) Roof Sides with 2 (S2) #8 x 1-1/2" Wood Screws. (fig 12.3 and 12.4)

C: From inside the assembly attach Small Gable Vent to (0313) Roof Gable Support with 2 (S13) #6 x 5/8" Pan Screws. (fig. 12.5)



Wood Parts

1 x **0313** Roof Gable Support 15/16 x 1-1/2 x 21-5/8"

Hardware

2 x **S2** #8 x 1-1/2" Wood Screw

2 x **S13** #6 x 5/8" Pan Screw

Step 12: Window Wall Gable Assembly

Part 3

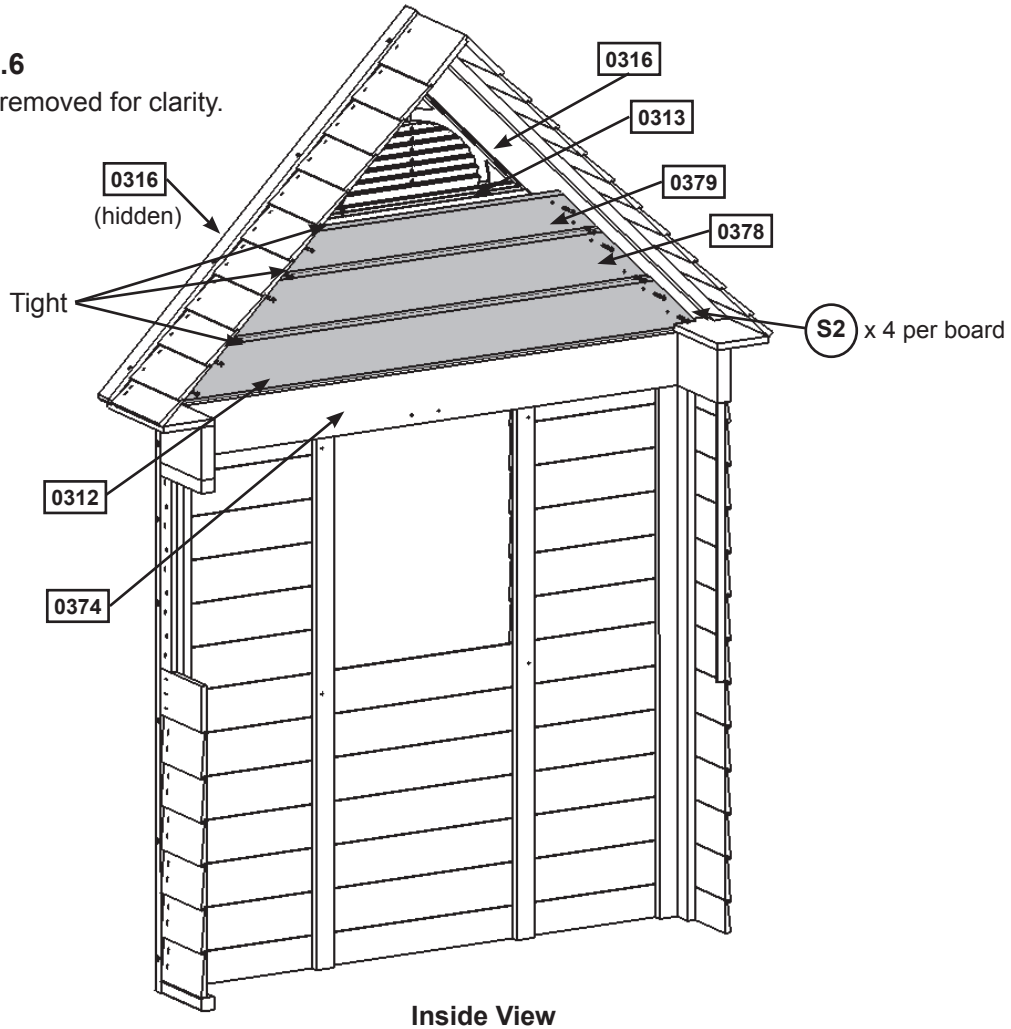
D: Tight to the top of (0374) Top Side Panel place (0312) Gable Block Long and attach to both (0316) Roof Sides with 4 (S2) #8 x 1-1/2" Wood Screws. (fig 12.6)

E: Tight to the top of (0312) Gable Block Long place (0378) Gable Block and attach to both (0316) Roof Sides with 4 (S2) #8 x 1-1/2" Wood Screws. (fig 12.6)

F: Tight to the top of (0378) Gable Block place (0379) Gable Block Short and attach to both (0316) Roof Sides with 4 (S2) #8 x 1-1/2" Wood Screws. (fig 12.6)

Fig. 12.6

Boards removed for clarity.



Wood Parts

- 1 x 0379 Gable Block Short 5/8 x 3-1/4 x 29-3/4"
- 1 x 0378 Gable Block 5/8 x 4-1/4 x 38-3/4"
- 1 x 0312 Gable Block Long 5/8 x 4-1/4 x 46"

Hardware

- 12 x (S2) #8 x 1-1/2" Wood Screw

Step 13: Window Wall Shutter Assembly

Part 1



A: Centre (0397) Shutter Top over opening in (0324) Shutter Wall Panel, flush to the bottom of (0374) Top Side Panel, then place (0345) Window Arch Assembly centred on top of (0397) Shutter Top. (fig. 13.1 and 13.2)

B: From inside the assembly attach (0374) Top Side Panel to (0345) Window Arch Assembly and (0324) Shutter Wall Panel to (0397) Shutter Top with 4 (S15) #8 x 1-3/4" Wood Screws. (fig. 13.3 and 13.4)

Fig. 13.2

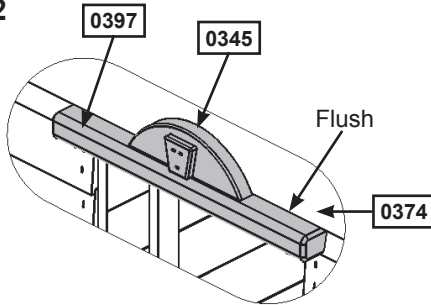


Fig. 13.1

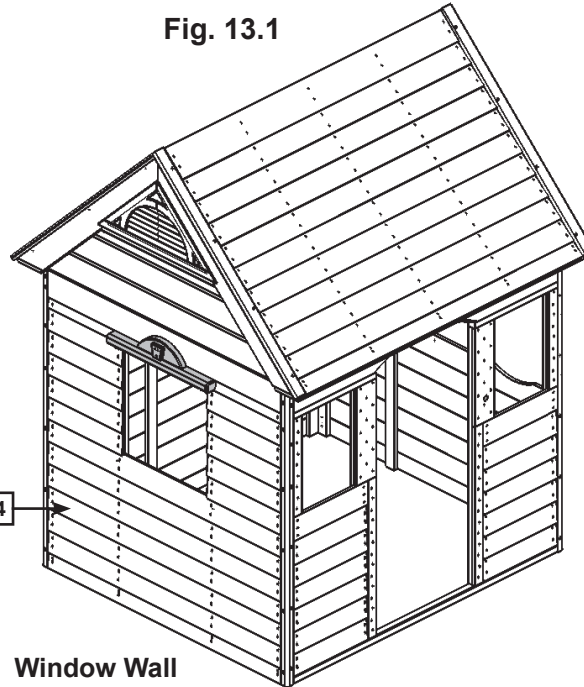
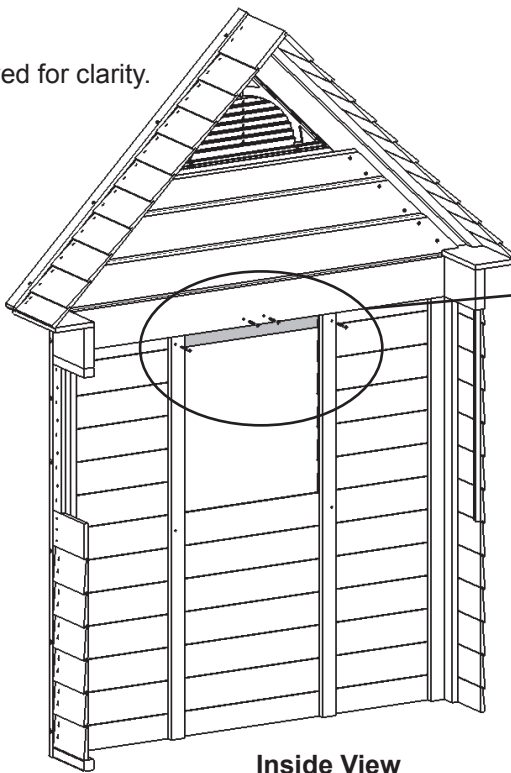


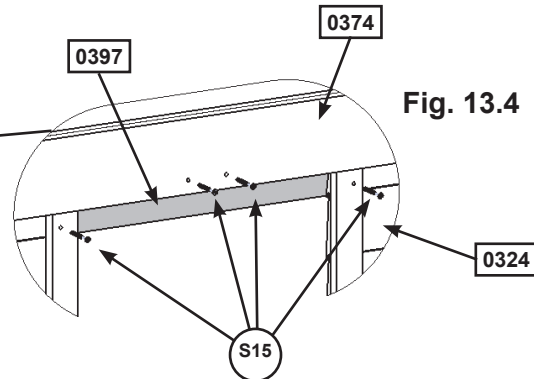
Fig. 13.3

Parts removed for clarity.



Window Wall

Fig. 13.4



Wood Parts

1 x 0397 Shutter Top 1-1/2 x 1-3/4 x 18-1/4"

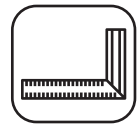
1 x 0345 Window Arch Assembly 1-7/16 x 2-1/2 x 8-1/8"

Hardware

4 x S15 #8 x 1-3/4" Wood Screw

Step 13: Window Wall Shutter Assembly

Part 2



C: Insert the bottom Shutter Pivots in the 2 (0393) Shutter Assemblies from Step 2 into (0396) Shutter Bottom. (fig. 13.5 and 13.6)

D: Tilt assembly and lift up to insert top Shutter Pivots into (0397) Shutter Top. Make sure it is snug. (fig. 13.6 and 13.7)

E: Make sure (0396) Shutter Bottom is square to (0397) Shutter Top then from inside the assembly attach (0396) Shutter Bottom to (0324) Shutter Wall Panel with 2 (S15) #8 x 1-3/4" Wood Screws. (fig 13.8)

Fig. 13.6

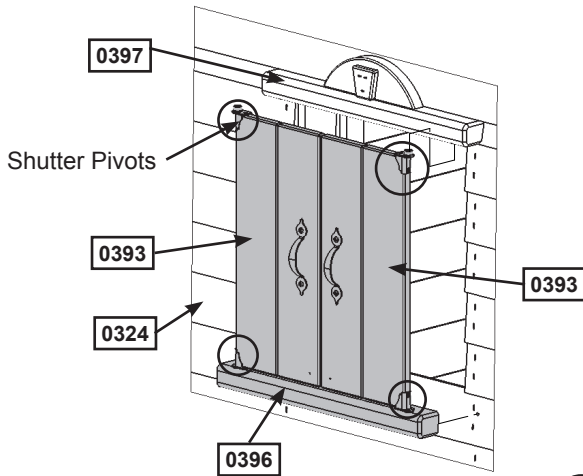
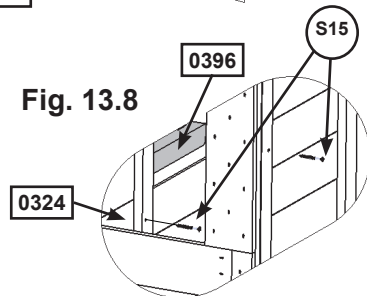


Fig. 13.5

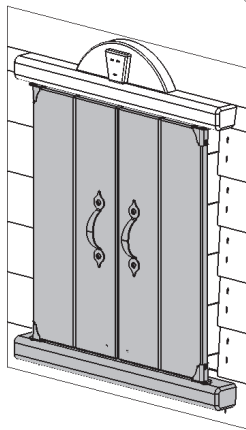


Fig. 13.8



Inside View

Fig. 13.7



Wood Parts

1 x 0396 Shutter Bottom 1-1/2 x 1-3/4 x 18-1/4"

Hardware

2 x S15 #8 x 1-3/4" Wood Screw

Step 13: Window Wall Shutter Assembly

Part 3

F: Attach 1 (0336) Window Trim to each side of the opening in (0324) Shutter Wall Panel using 3 (TS) #6 x 30 mm Trim Screws per board. Notice the pilot holes are towards the inside of the assembly. (fig. 13.9 and 13.10)

G: Place (0333) Shutter Stop tight to top of (0396) Shutter Bottom and tight to the panel then attach to (0396) Shutter Bottom using 3 (TS) #6 x 30 mm Trim Screws. (fig. 13.10)

Fig. 13.9

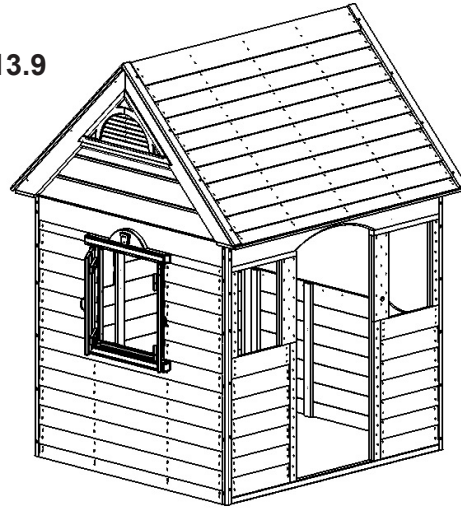
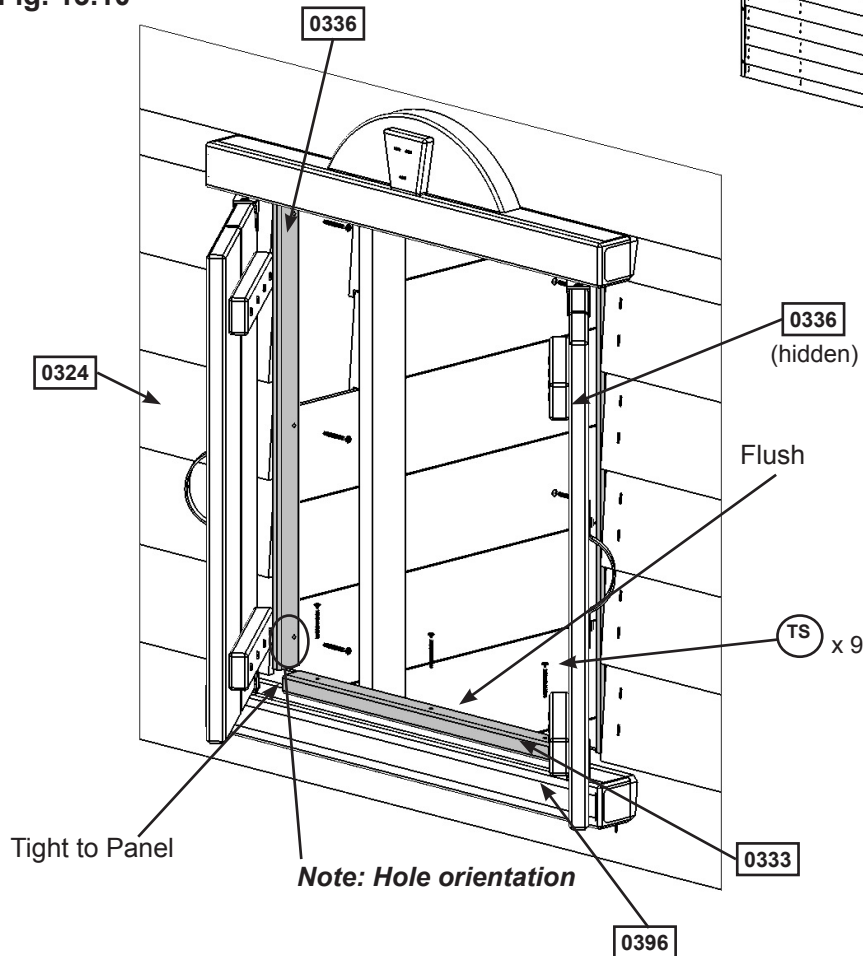


Fig. 13.10



Wood Parts

- 2 x 0336 Window Trim 3/8 x 1 x 16-5/16"
- 1 x 0333 Shutter Stop 5/8 x 1 x 13"

Hardware

- 9 x TS #6 x 30 mm Trim Screw

Step 13: Window Wall Shutter Assembly

Part 4

H: Attach 4 (0318) Tie Blocks flush to top of (0370) Top Back Panel and to (0325) Back Wall Panel in the places shown in fig. 13.11 using 2 (S2) #8 x 1-1/2" Wood Screws per (0318) Tie Block.

I: Attach 2 (0318) Tie Blocks flush to top of (0374) Top Side Panel and to (0324) Shutter Wall Panel in the places shown in fig. 13.11 using 2 (S2) #8 x 1-1/2" Wood Screws per (0318) Tie Block.

J: Attach 2 (0318) Tie Blocks flush to top of (0372) Top Front Panel, 1 to (0322) Front Left Wall and 1 to (0323) Front Right Wall in the places shown in fig. 13.11 and 13.12 using 2 (S2) #8 x 1-1/2" Wood Screws per (0318) Tie Block.

Fig. 13.11

Parts removed for clarity.

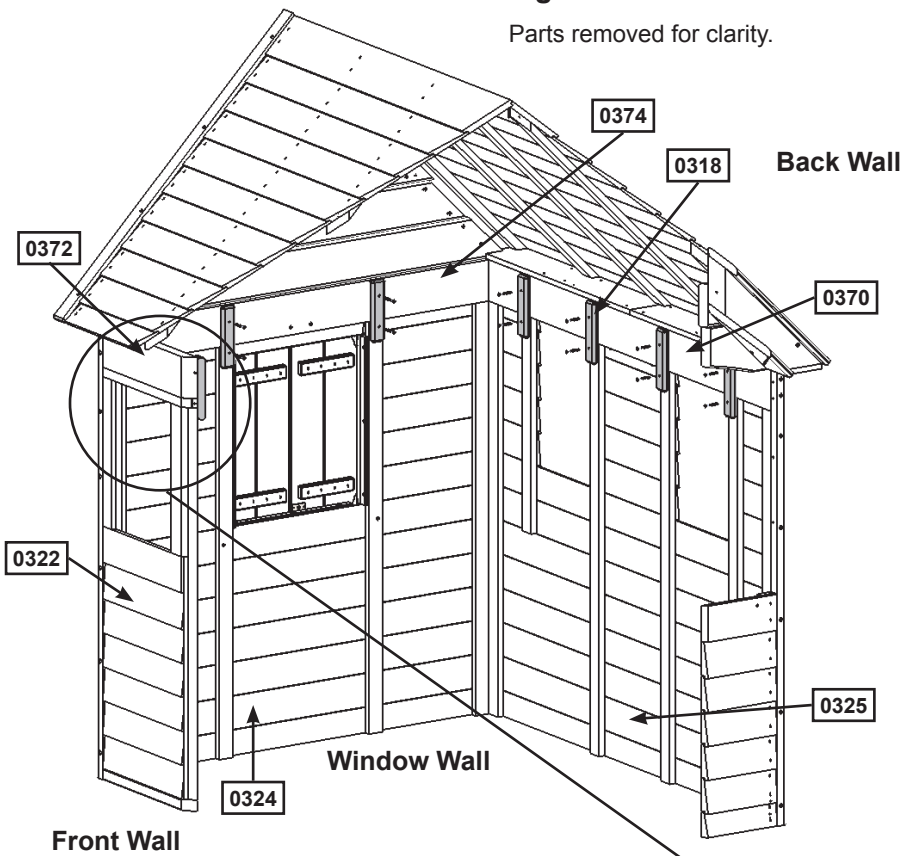
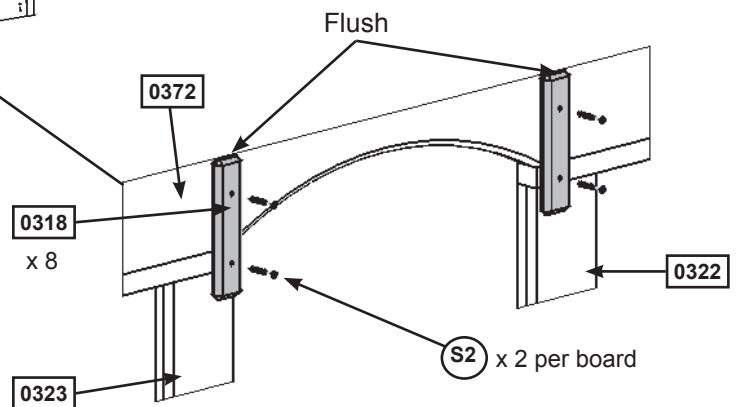


Fig. 13.12



Wood Parts

8 x 0318 Tie Block 5/8 x 1-1/2 x 6"

Hardware

16 x S2 #8 x 1-1/2" Wood Screw

Step 14: Door Assembly Part 1



A: On the outside of (0329) Door Panel attach 2 Door Hinges using 3 (S13) # 6 x 5/8" Pan Screws per Hinge. Judge spacing based on fig. 14.1.

B: On the outside of (0329) Door Panel attach 1 Door Handle as shown in fig. 14.1, using 2 (S13) #6 x 5/8" Pan Screws.

C: On the inside of (0329) Door Panel attach a second Door Handle at the same spot as the one on the outside. Use 2 (S13) #6 x 5/8" Wood Screws. (fig. 14.1 and 14.2)

D: On the inside of (0329) Door Panel measure 15" up from the bottom and attach Catch Plate flush to the outside edge of the door using 2 (S18) #6 x 1" Wood Screws. (fig. 14.1 and 14.2)

Fig. 14.1

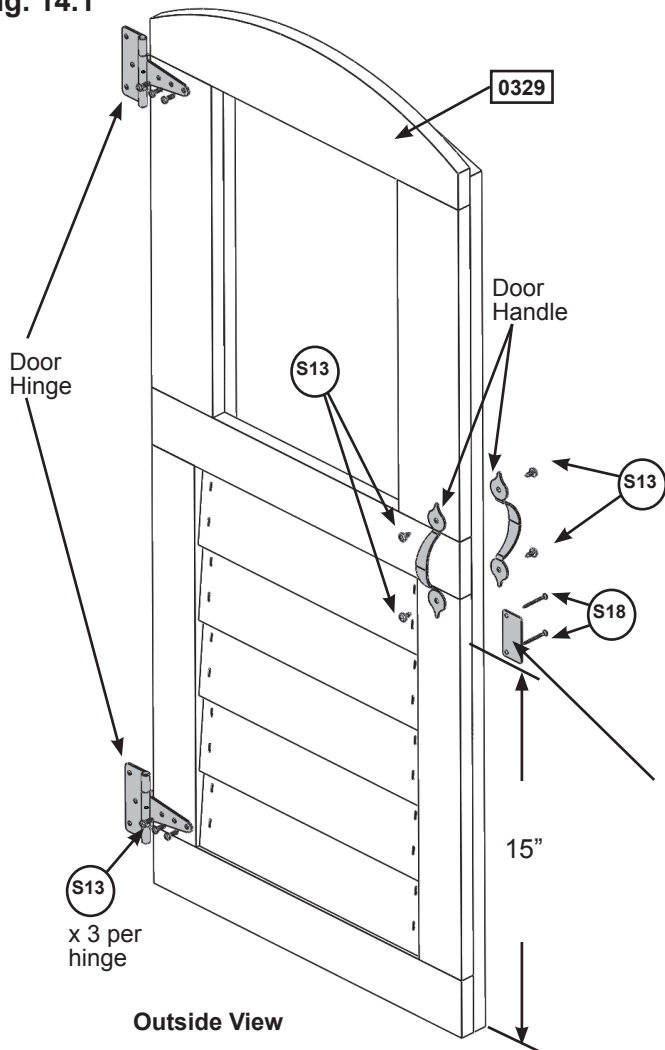
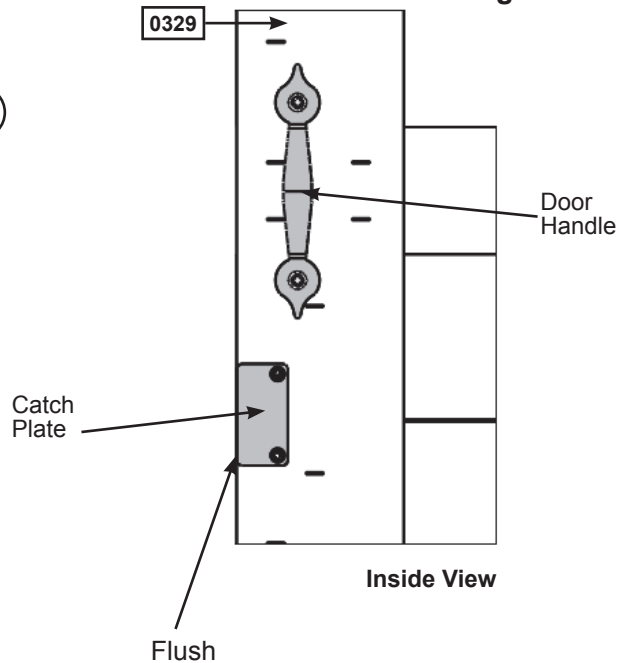


Fig. 14.2



Wood Parts

1x 0329 Door Panel 1-1/4 x 16-9/16 x 40"

Hardware

10 x S13 #6 x 5/8" Pan Screw
2 x S18 #6 x 1" Wood Screw

Other Parts

2 x Door Handle
1 x Catch Plate
2 x Door Hinge

Step 14: Door Assembly Part 2



E: In the opening for the door on the Front Wall, measure 5/8" up from the top of (0371) Front Bottom then attach remaining side of the Door Hinges on (0329) Door Panel to (0322) Front Left Wall with 3 (S13) #6 x 5/8" Pan Screws per hinge. (fig. 14.3 and 14.4)

Fig. 14.3

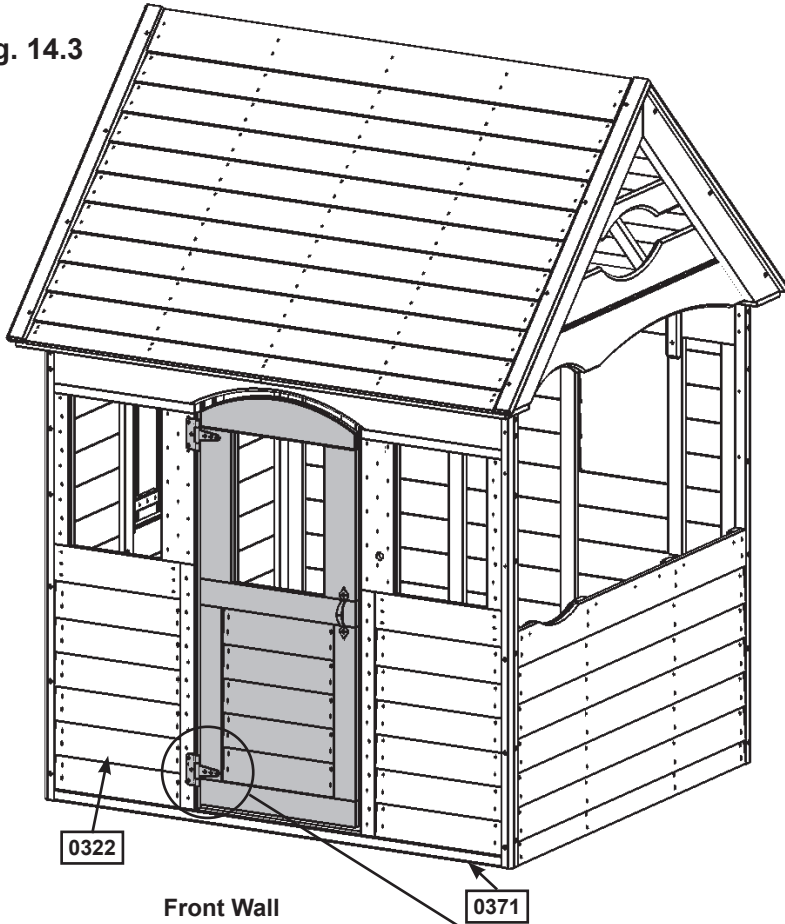
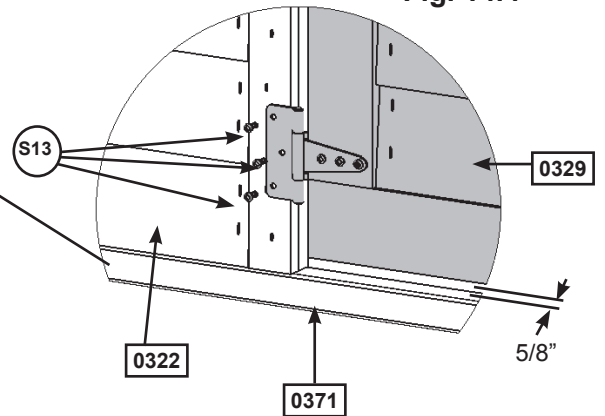


Fig. 14.4



Hardware

6 x (S13) #6 x 5/8" Pan Screw

Step 14: Door Assembly Part 3



F: In the notched out opening of (0319) Door Latch Block attach the Magnetic Catch using 2 (S18) #6 x 1" Wood Screws. (fig. 14.5) **Important: Use a hand held screw driver and DO NOT over tighten.**

G: From inside the assembly measure 15-1/8" up from the bottom of (0371) Front Bottom on the (0323) Front Right Wall and place (0319) Door Latch Block so it overhangs and the Catch Plate can connect to the Magnetic Catch. Attach with 2 (S15) #8 x 1-3/4" Wood Screws. (fig. 14.5 and 14.6)

Fig. 14.6

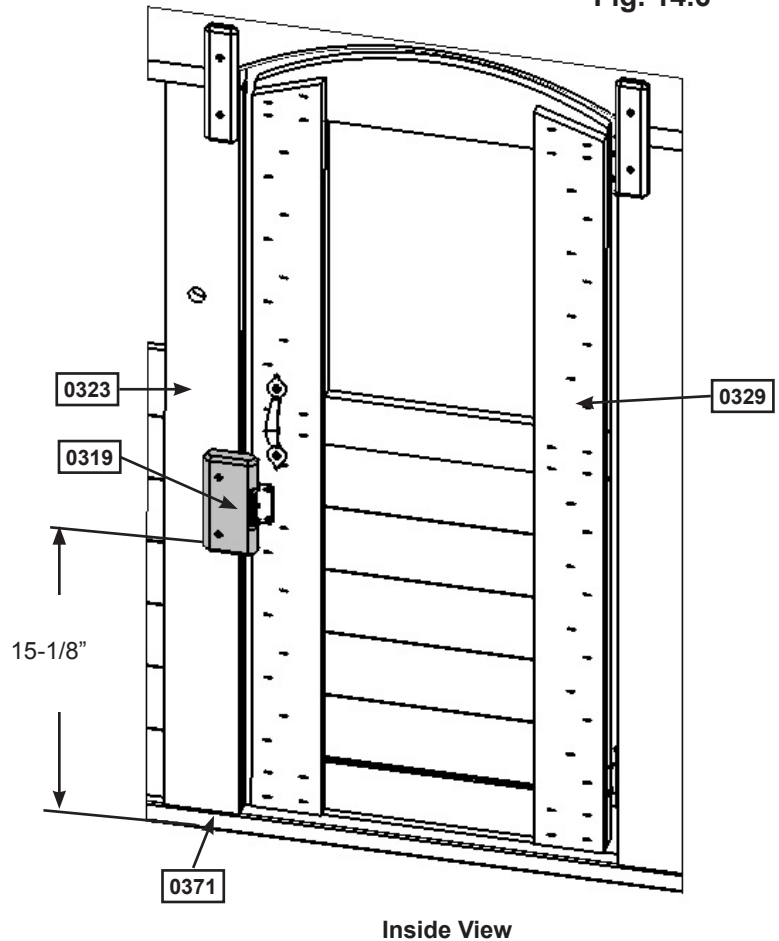
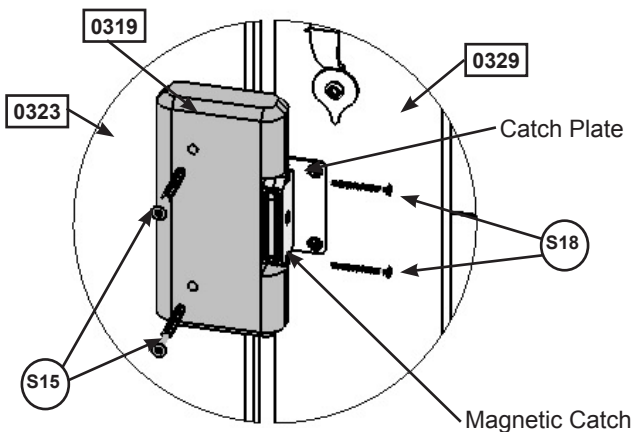


Fig. 14.5



Wood Parts

1 x 0319 Door Latch Block 15/16 x 2-1/2 x 5"

Hardware

2 x S15 #8 x 1-3/4" Wood Screw

2 x S18 #6 x 1" Wood Screw

Other Parts

1 x Magnetic Catch

Step 15: Attach Windows

A: Place 1 Playhouse Window in each window opening on the Front and Back Walls as well as in the (0329) Door Panel. There should be 5 Playhouse Windows in total. Attach with 4 (S13) #6 x 5/8" Pan Screws per Playhouse Window. (fig. 15.1 and 15.2)

Fig. 15.1

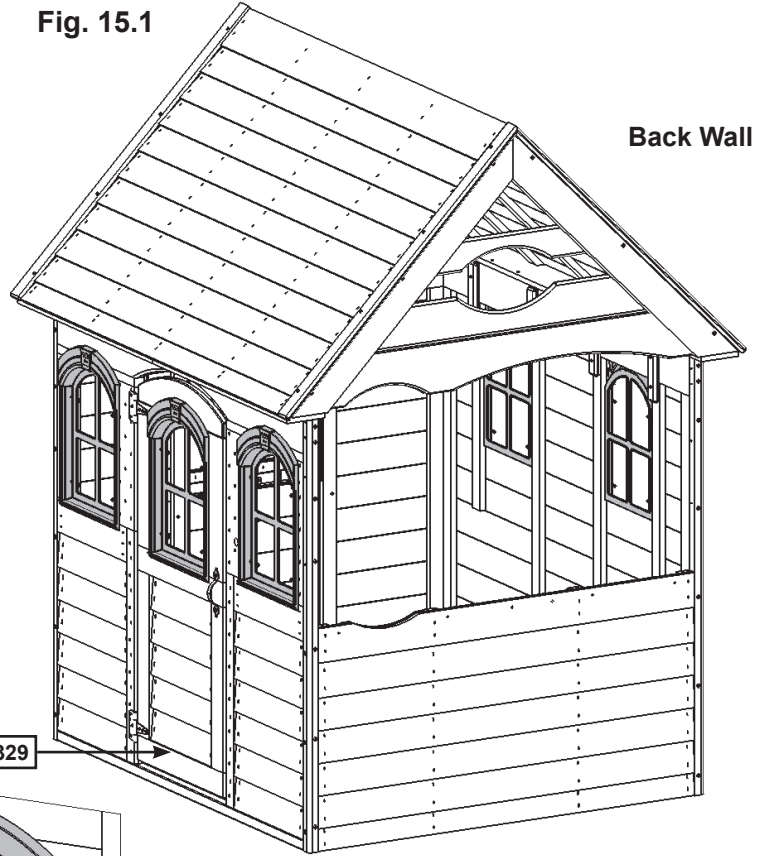
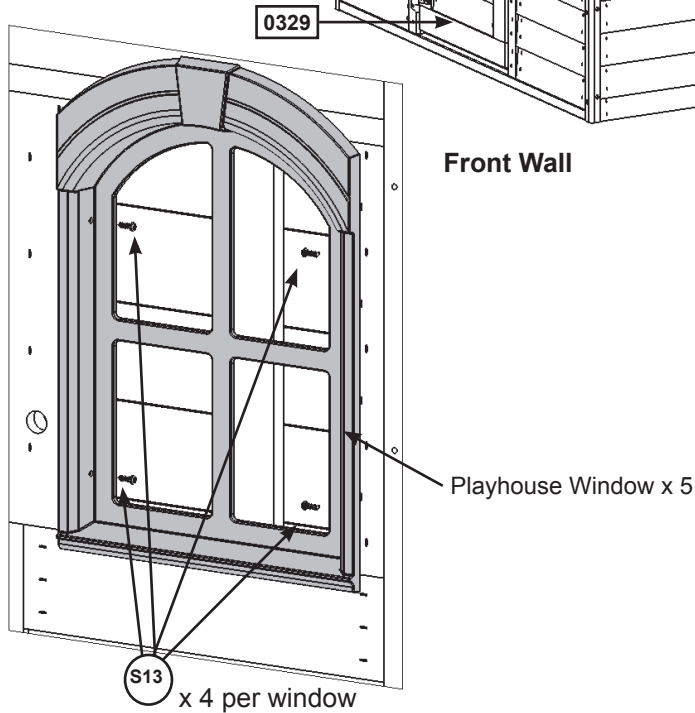


Fig. 15.2



Hardware

20 x  #6 x 5/8" Pan Screw

Other Parts

5 x Playhouse Window

Step 16: Attach Flower Boxes

A: Place 1 Flower Box under each window opening on (0322) Front Left Wall and (0323) Front Right Wall and attach with 2 (S13) #6 x 5/8" Pan Screws per Flower Box. (fig. 16.1 and 16.2)

Fig. 16.1

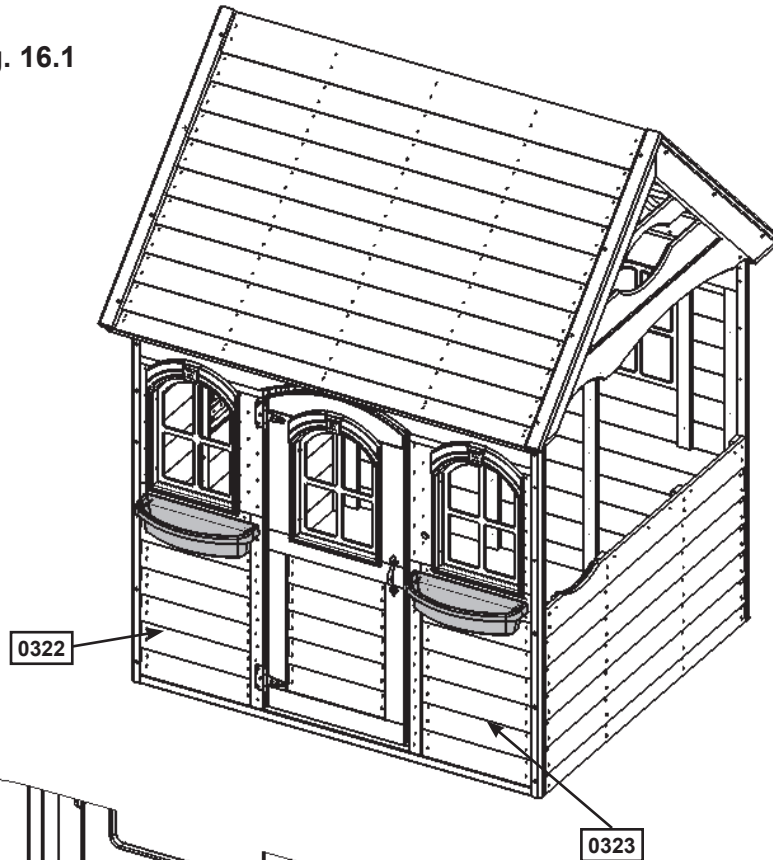
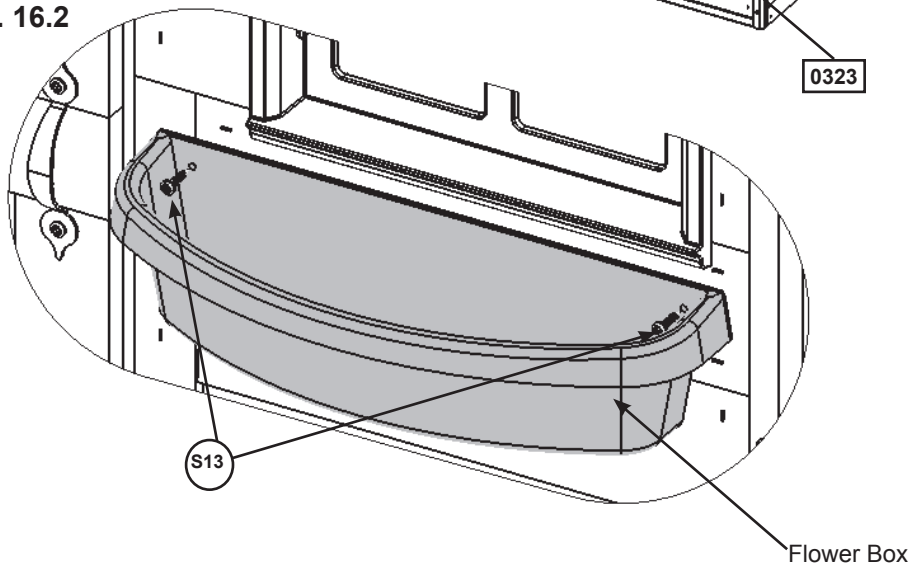


Fig. 16.2



Hardware

4 x (S13) #6 x 5/8" Pan Screw

Other Parts

2 x Flower Box

Step 17: Cafe Gable Assembly

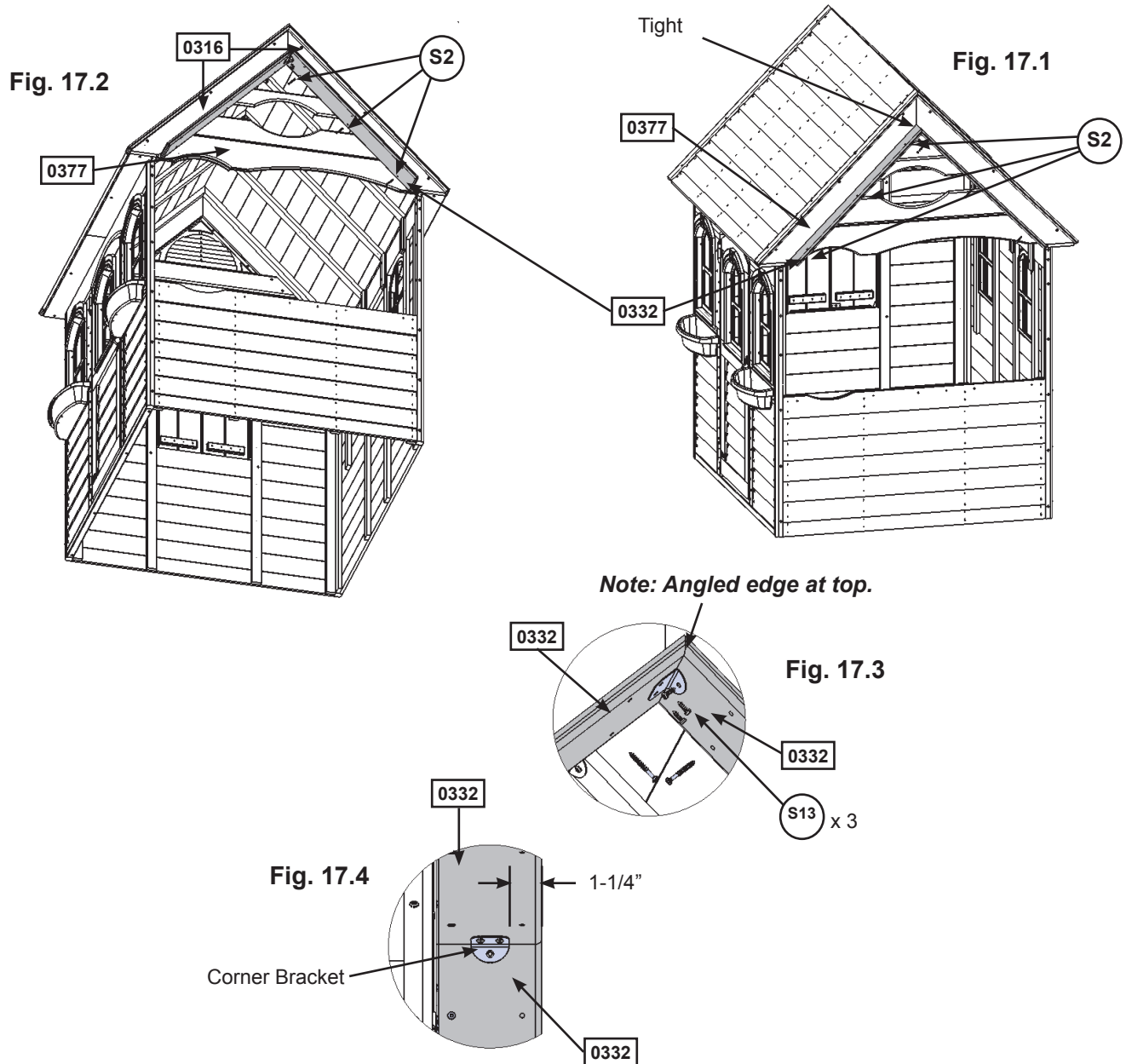
Part 1



A: From outside of the assembly place 1 (0332) Cafe Roof flush to the inside edge of (0316) Roof Side with the angled edge at the top. Top of board should align with the peak of the Roof Assembly. Attach (0332) Cafe Roof to (0316) Roof Side with 3 (S2) #8 x 1-1/2" Wood Screws. (fig. 17.1, 17.2 and 17.3)

B: Place a second (0332) Cafe Roof flush to the inside edge of (0316) Roof Side on the other side, angled edge at the top. Top of board should be tight to first (0332) Cafe Roof. Attach (0332) Cafe Roof to (0316) Roof Side with 3 (S2) #8 x 1-1/2" Wood Screws. (fig. 17.2 and 17.3)

C: Measure 1-1/4" in from the peak of the 2 (0332) Cafe Roofs then attach 1 Corner Bracket to both boards with 3 (S13) #6 x 5/8" Pan Screws. (fig. 17.3 and 17.4)



Wood Parts

2 x 0332 Cafe Roof 5/8 x 4-1/4 x 28-3/4"

Hardware

6 x S2 #8 x 1-1/2" Wood Screw

3 x S13 #6 x 5/8" Pan Screw

Other Parts

1 x Corner Bracket

Step 17: Upper Half Wall Assembly

Part 2

D: Place (0390) Cafe Table Top between 2 (0315) Chalkwall Supports so the grooves are tight to each support as shown in fig. 17.5 and 17.6. Attach with 2 (S3) #8 x 2-1/2" Wood Screws per (0315) Chalkwall Support.

E: On the outside of the assembly centre (0620) SL Brace on the underside of (0390) Cafe Table Top so it lines up with the pilot holes on (0335) Half Wall Panel. Attach from the top with 1 (S15) #8 x 1-3/4" Wood Screws and from the inside of the assembly with 3 (S15) #8 x 1-3/4" Wood Screws. (fig. 17.5, 17.6 and 17.7)

Fig. 17.5
Inside View

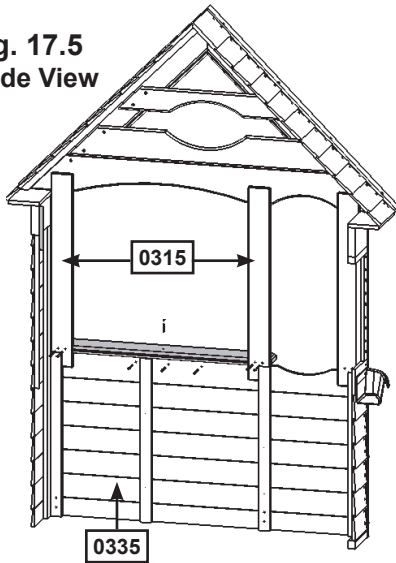


Fig. 17.6
Outside View

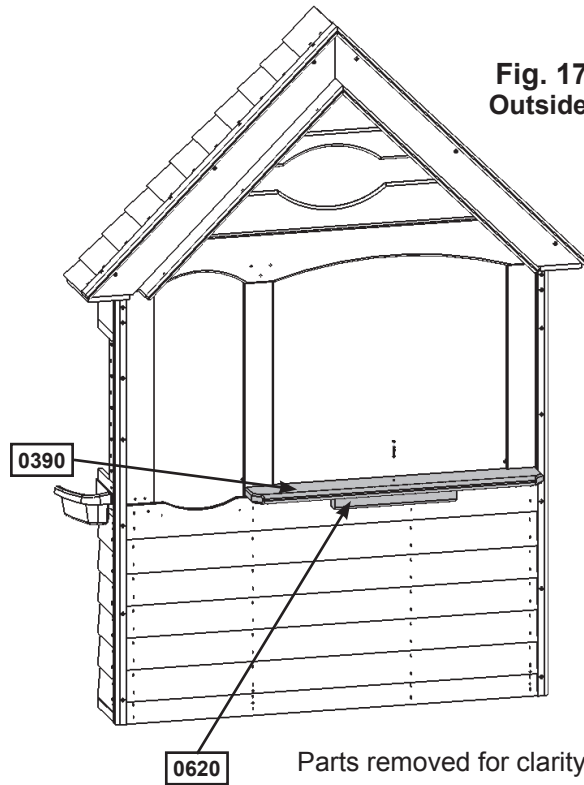
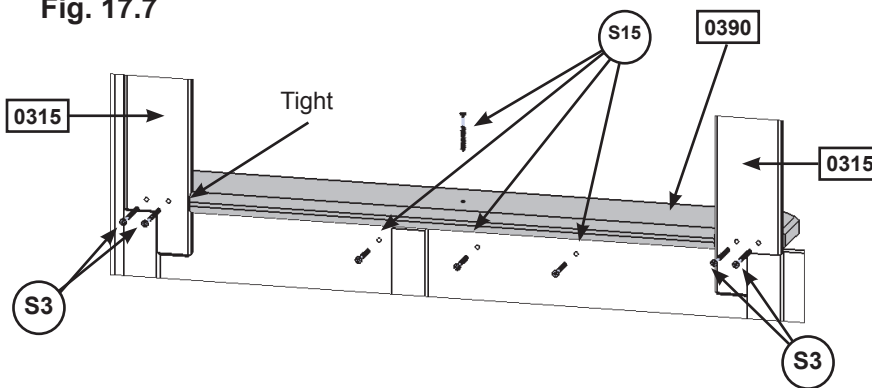


Fig. 17.7



Wood Parts

- 1 x 0390 Cafe Table Top 15/16 x 4-1/4 x 30"
- 1 x 0620 SL Brace 1-1/2 x 1-1/2 x 12-1/2"

Hardware

- 4 x S15 #8 x 1-3/4" Wood Screw
- 4 x S3 #8 x 2-1/2" Wood Screw

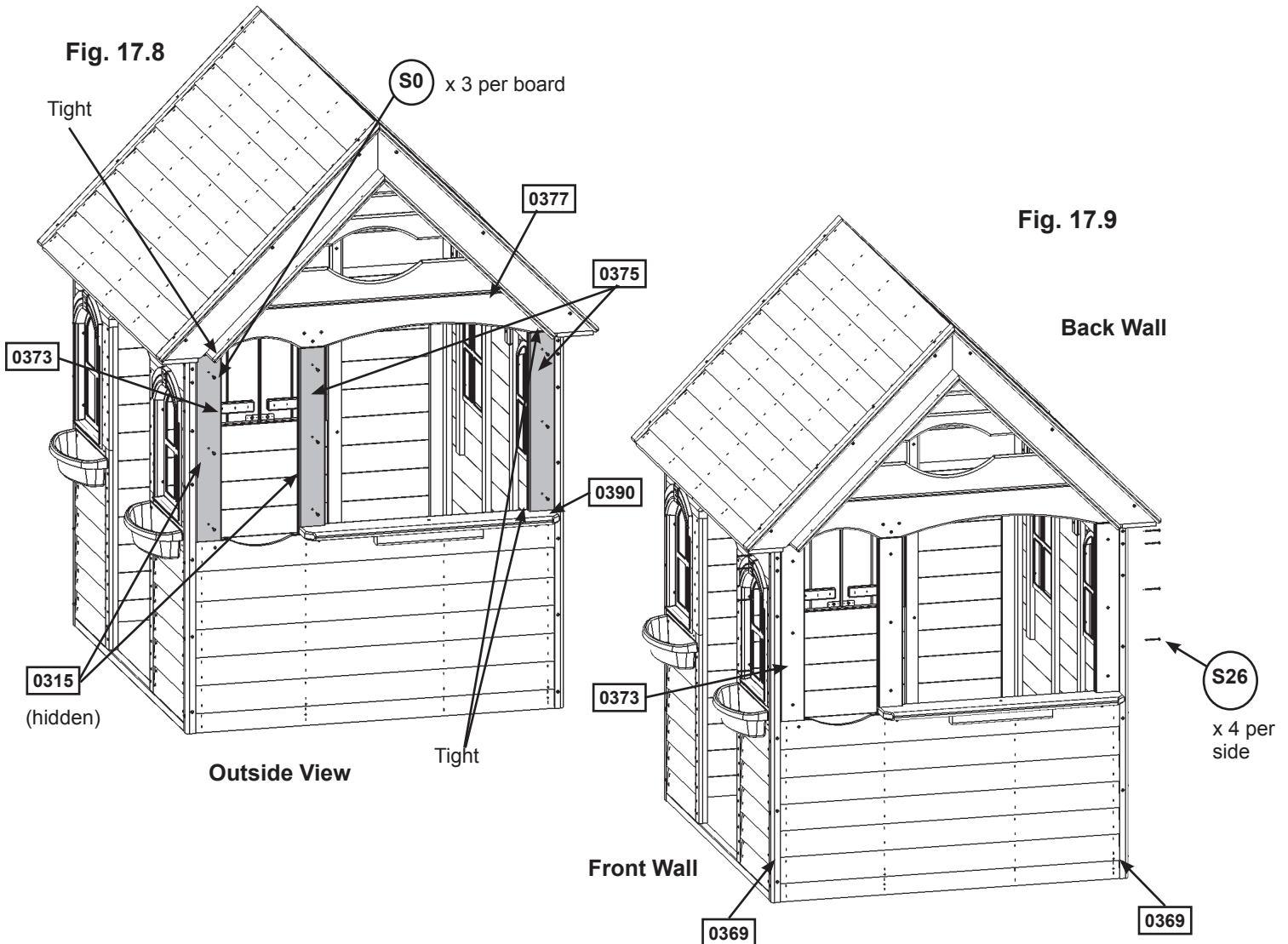
Step 17: Upper Half Wall Assembly

Part 3

F: From outside of the assembly place 2 (0375) Cafe Sides over the 2 (0315) Chalkwall Supports that surround the (0390) Cafe Table Top so the edges are flush to each other. Each (0375) Cafe Side should fit tight to both (0377) Cafe Top and (0390) Cafe Table Top. Attach with 3 (S0) #8 x 7/8" Truss Screws per board. (fig. 17.8)

G: From outside the assembly place (0373) Chalkwall Side on the remaining (0315) Chalkwall Support so the inside edges are flush. The top of (0373) should be tight to the bottom of (0377) Cafe Top. Attach with 3 (S0) #8 x 7/8" Truss Screws. (fig. 17.8)

H: From the Front and Back sides of the assembly attach each (0369) Corner Trim to (0373) Chalkwall Side and (0375) Cafe Side with 4 (S26) #8 x 2" Pan Screws per side. (fig. 17.9)



Wood Parts

- 1 x 0373 Chalkwall Side 7/16 x 3 x 21-7/8"
- 2 x 0375 Cafe Side 7/16 x 3 x 21"

Hardware

- 9 x S0 #8 x 7/8" Truss Screw
- 8 x S26 #8 x 2" Pan Screw

Step 18: Cafe Gable Assembly

A: Insert Roof Peak Spinner into slot of Roof Peak Mount. (fig. 18.1)

B: Place Roof Peak Mount in opening above (0314) Short Cafe Gable tight to the peak and flush to the bottom of (0314) Short Cafe Gable. From outside the assembly attach Roof Peak Mount to (0332) Cafe Roofs with 4 (S13) #6 x 5/8" Pan Screws. (fig. 18.1 and 18.2)

Fig. 18.1

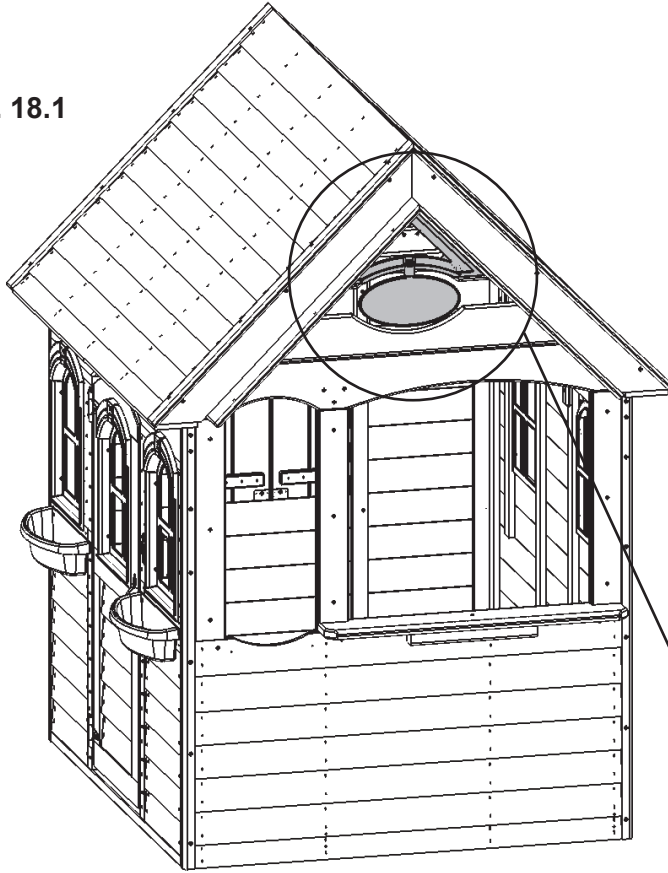
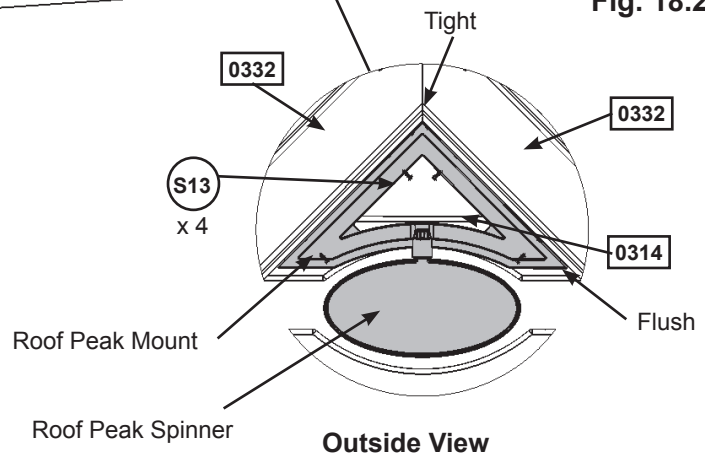


Fig. 18.2



Hardware

4 x (S13) #6 x 5/8" Pan Screw

Other Parts

1 x Roof Peak Mount
1 x Roof Peak Spinner

Step 19: Attach Spin Chalk Sign

Part 1

A: Place (0366) Spin Trim Bottom on (0335) Half Wall Panel, between both (0315) Chalkwall Supports, so the arches are flush then attach with 2 (S18) #6 x 1" Wood Screws. (fig. 19.1 and 19.2)

B: Place (0367) Spin Trim Top on (0377) Cafe Top, between both (0315) Chalkwall Supports, so the arches are flush then attach with 2 (S18) #6 x 1" Wood Screws. (fig. 19.1 and 19.2)

Fig. 19.1

Parts removed for clarity.

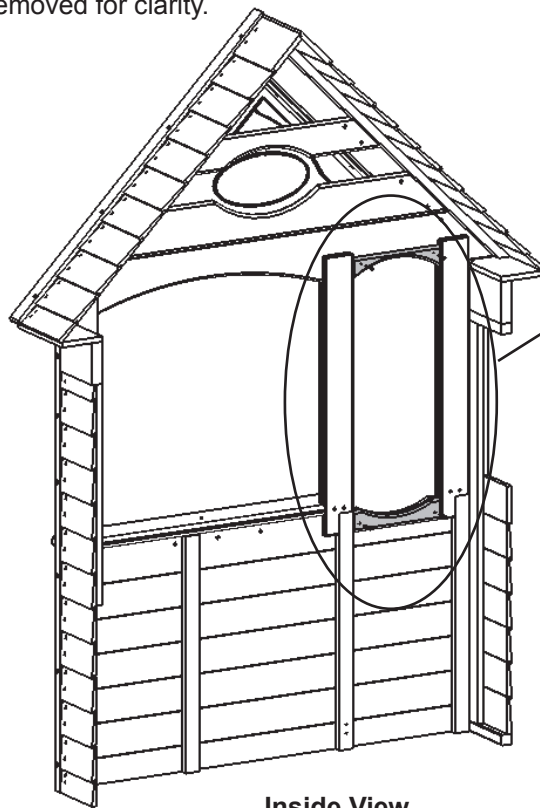
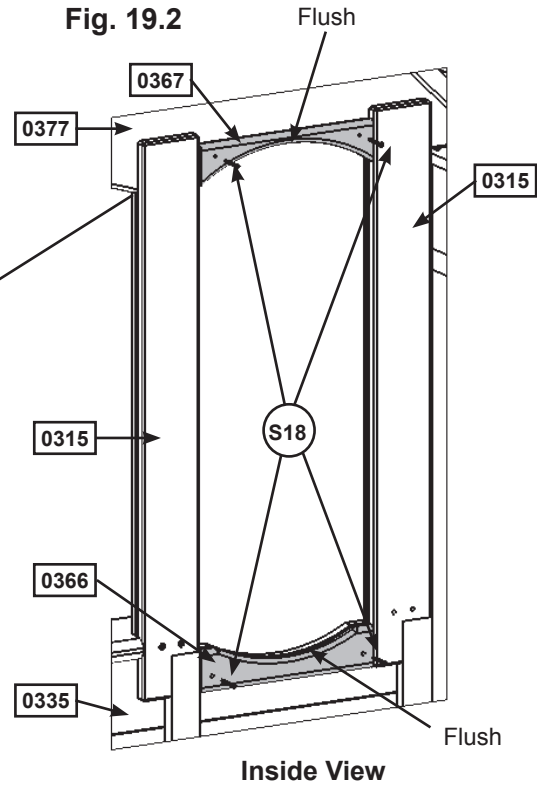


Fig. 19.2



Wood Parts

- 1 x 0367 Spin Trim Top 5/8 x 2 x 9-1/8"
- 1 x 0366 Spin Trim Bottom 5/8 x 2 x 9-1/8"

Hardware

- 4 x S18 #6 x 1" Wood Screw

Step 19: Attach Spin Chalk Sign

Part 2

C: Place Spin Chalk Sign between (0315) Chalkwall Supports and attach with 6 (S13) #6 x 5/8" Pan Screws. (fig. 19.3, 19.4 and 19.5)

Fig. 19.3

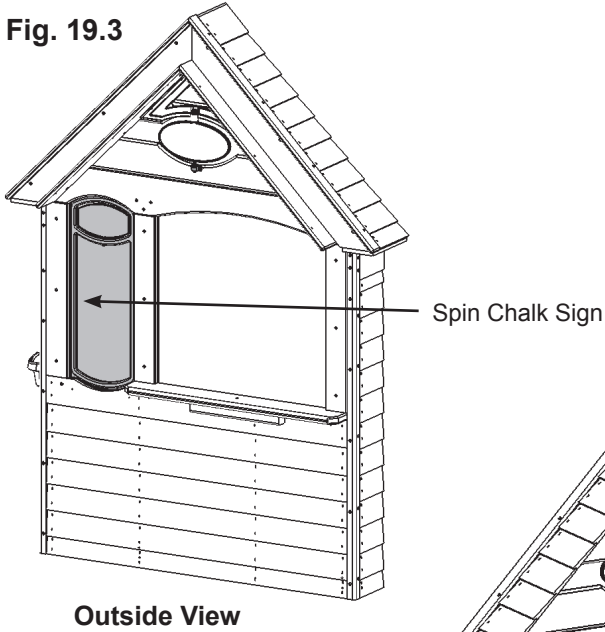


Fig. 19.4
Parts removed for clarity.

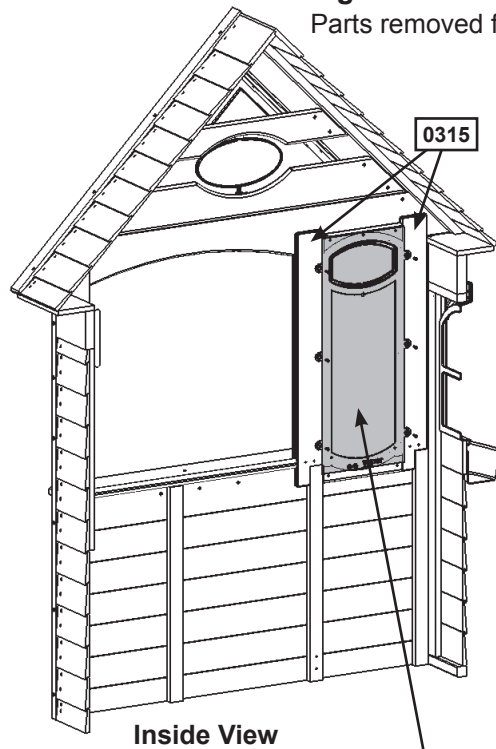
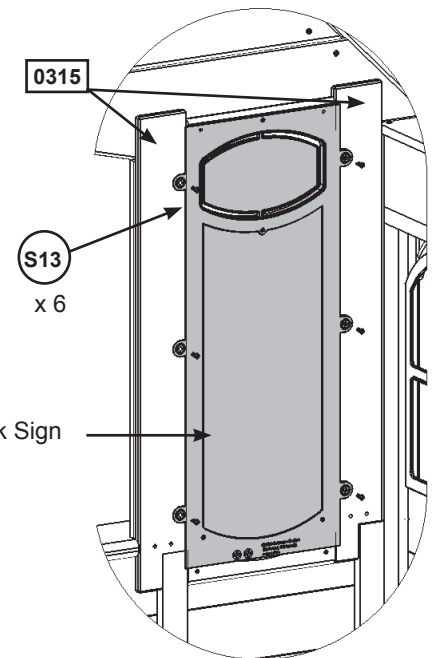


Fig. 19.5



Hardware

6 x (S13) #6 x 5/8" Pan Screw

Wood Parts

1 x Spin Chalk Sign

Step 20: Attach Door Bell Assembly

Note: Install 2 AA Batteries in Doorbell prior to attaching to assembly.

A: On the outside of the assembly attach Doorbell Trim to (0323) Front Right Wall, in the hole provided with 2 (S13) #6 x 5/8" Pan Screws, as shown in fig. 20.1 and 20.2.

B: From inside the assembly attach Doorbell to (0323) Front Right Wall with 2 (S10) #8 x 1" Pan Screws. (fig. 20.1 and 20.3)

Fig. 20.1

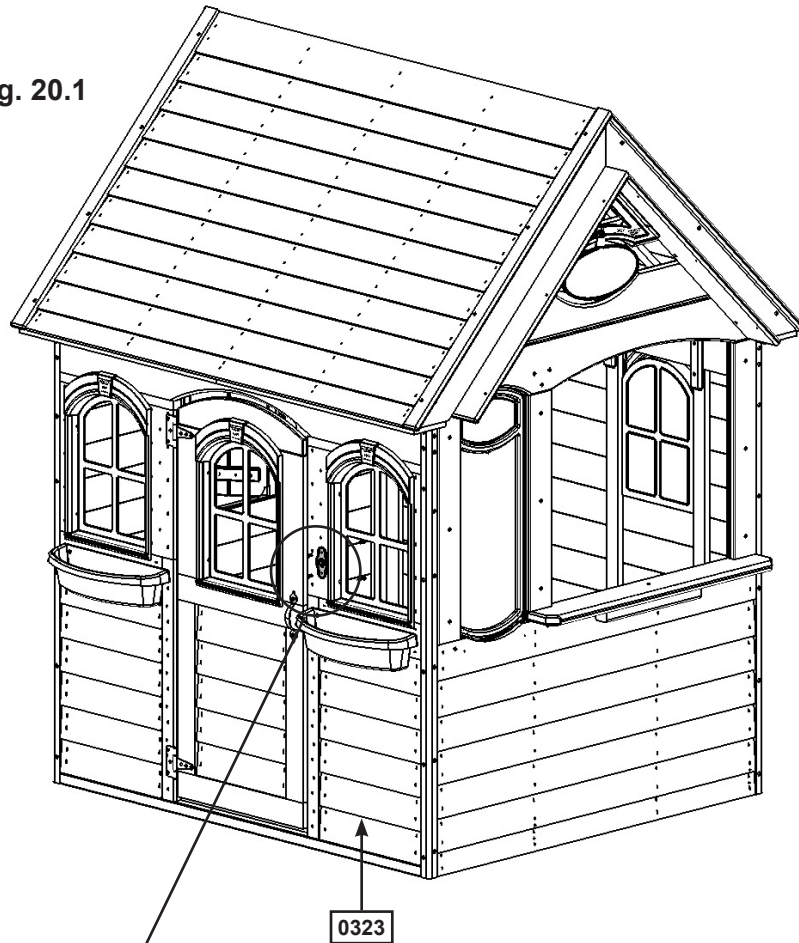


Fig. 20.2

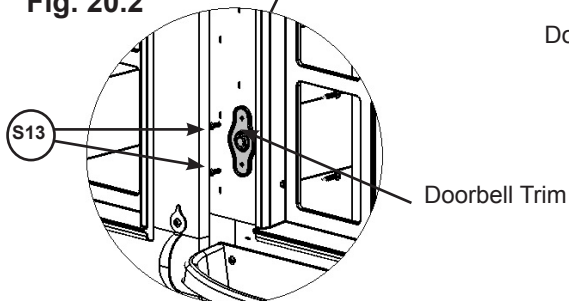
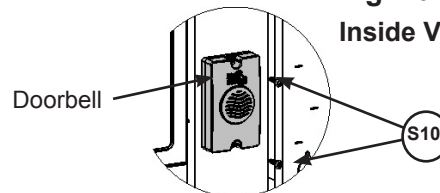


Fig. 20.3
Inside View



Note: Use only AA batteries (1.5 Volt)
Do not mix old and new batteries
Do not mix alkaline, standard (carbonized)
or rechargeable (nickel-cadmium batteries)

Hardware

- 2 x (S10) #8 x 1" Pan Screw
- 2 x (S13) #6 x 5/8" Pan Screw

Other Parts

- 1 x Doorbell
- 1 x Doorbell Trim

Step 21: Attach Playhouse Plaque

A: From outside the Playhouse attach Playhouse Plaque to (0316) Roof Sides with 2 (S13) #6 x 5/8" Pan Screws as shown in fig. 21.1 and 21.2

Fig. 21.1
Outside View

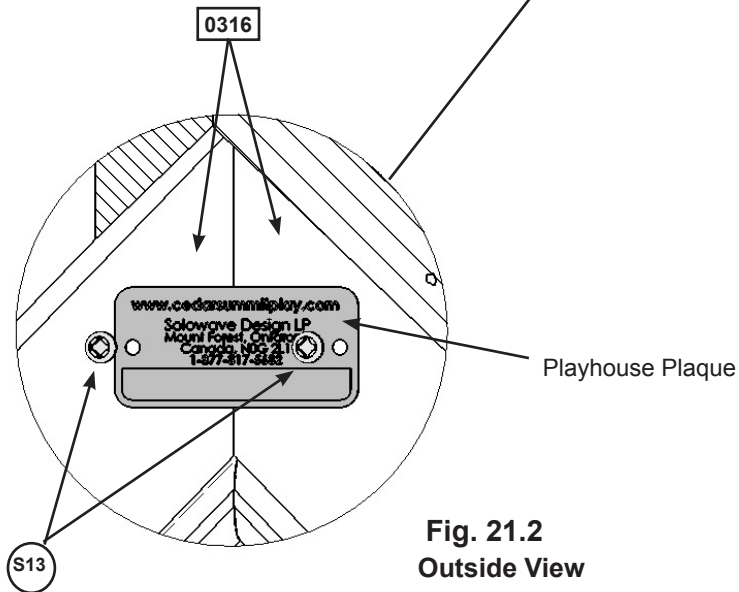
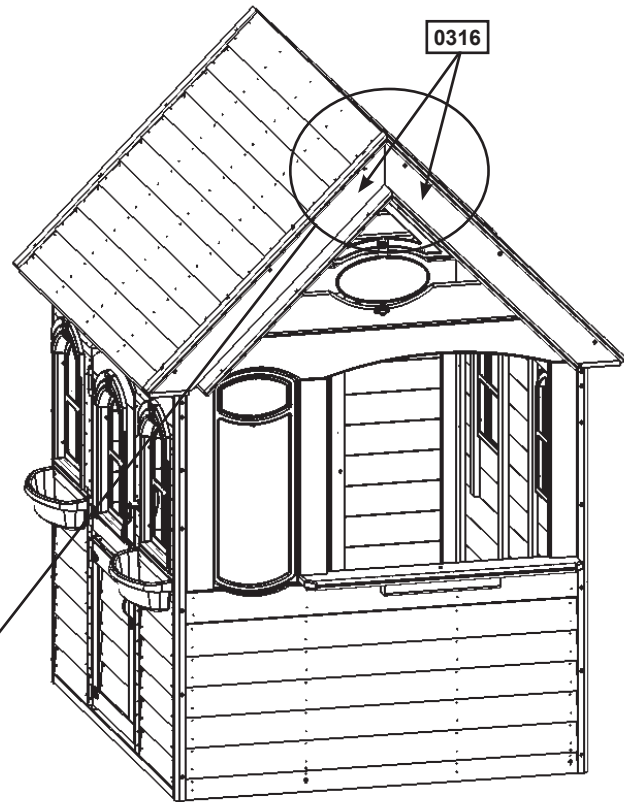


Fig. 21.2
Outside View

Hardware

2 x  #6 x 5/8" Pan Screw

Other Parts

1 x Playhouse Plaque

NOTES

NOTES

CEDAR SUMMIT

Consumer Registration Card

First Name

Initial

Last Name

--	--	--	--	--

Street

Apt. No.

--	--

City

State/Province

ZIP/Postal Code

--	--	--

Country

Telephone Number

--	--

E-Mail Address

--

Model Name

Model Number

(Box Labels)

--	--

Serial Number (on ID Plaque)

--

Date Purchase

Purchased From

--	--

MM / DD / YY

How would you rate this product for quality?

- Excellent
 Very Good
 Average
 Below Average
 Poor

How would you rate this product for ease of assembly?

- Excellent
 Very Good
 Average
 Below Average
 Poor

How would you rate our instructions?

- Excellent
 Very Good
 Average
 Below Average
 Poor

How would you rate the quality of packaging?

- Excellent
 Very Good
 Average
 Below Average
 Poor

Would you recommend the purchase of our products to friends and family?

- Yes
 No

Comments:

MAIL TO:

Solowave Design™
 375 Sligo Road W.
 Mount Forest, Ontario, Canada
 NOG 2L0
 Attention: Customer Service



Fill out your registration card online at
www.cedarsummitplay.com/registration

Cedar Summit would like to say Thank You for
 your time and feedback.

