

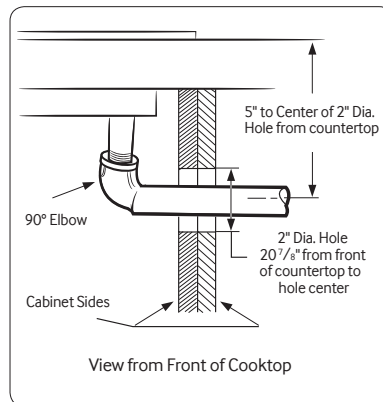
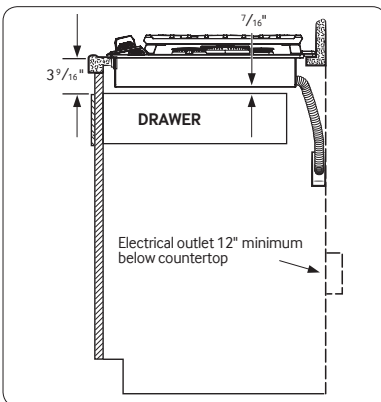
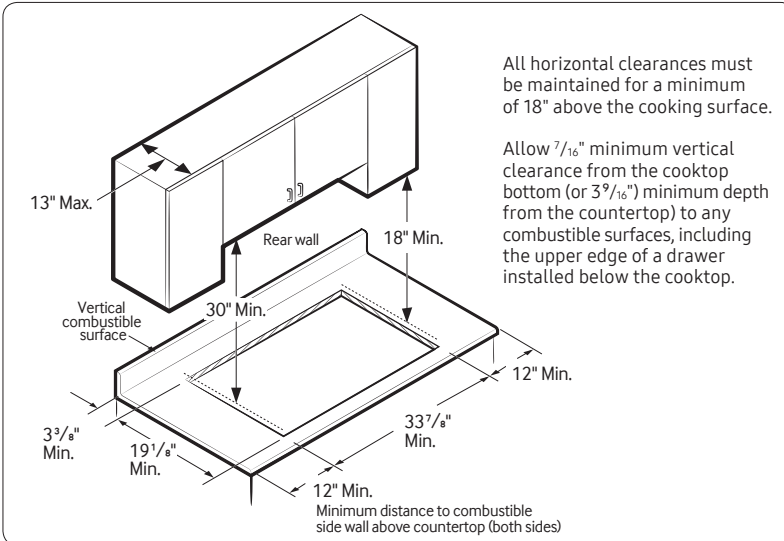
NA36N6555TS

SAMSUNG

36" Gas Cooktop

Installation Requirements

Countertop cut-out and minimum clearance dimensions:



Total Power (BTU)

56K

Power Source

120V / 60 Hz / 1A

Gas Cooktop (BTU)

- Right Front: 13K
- Left Front: 9.5K
- Right Rear: 5K Simmer
- Left Rear: 9.5K
- Center: 19K (Dual)

Warranty

One (1) Year All Parts and Labor

Product Dimensions & Weight (WxHxD)

Outside (Max) Cooktop Dimensions:

36" x 5 $\frac{41}{72}$ " x 22 $\frac{1}{3}$ "

Cooktop Cut-Out Dimensions:

33 $\frac{7}{8}$ " x 3 $\frac{1}{8}$ " x 19 $\frac{1}{8}$ "

Weight: 69.4 lbs.

Shipping Dimensions & Weight (WxHxD)

Dimensions: 40 $\frac{9}{16}$ " x 10 $\frac{5}{8}$ " x 25 $\frac{5}{8}$ "

Weight: 84.7 lbs.

Color

Stainless Steel

Model

NA36N6555TS

UPC Code

887276281742

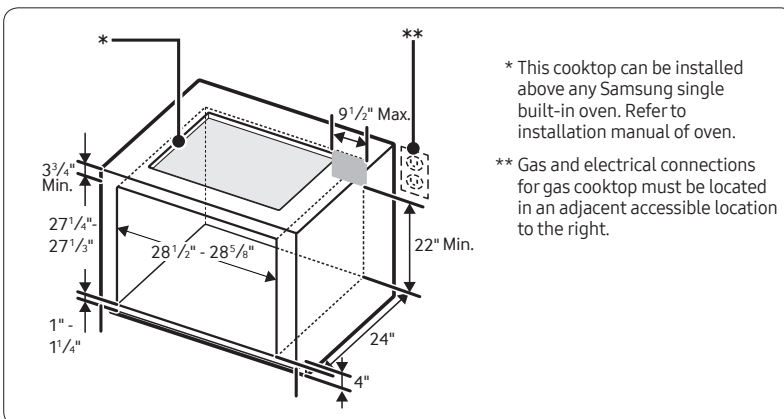
Fingerprint Resistant

Black Stainless Steel

NA36N6555TG

887276281735

Installing Over a Single Oven



Cooktop Dimensions

