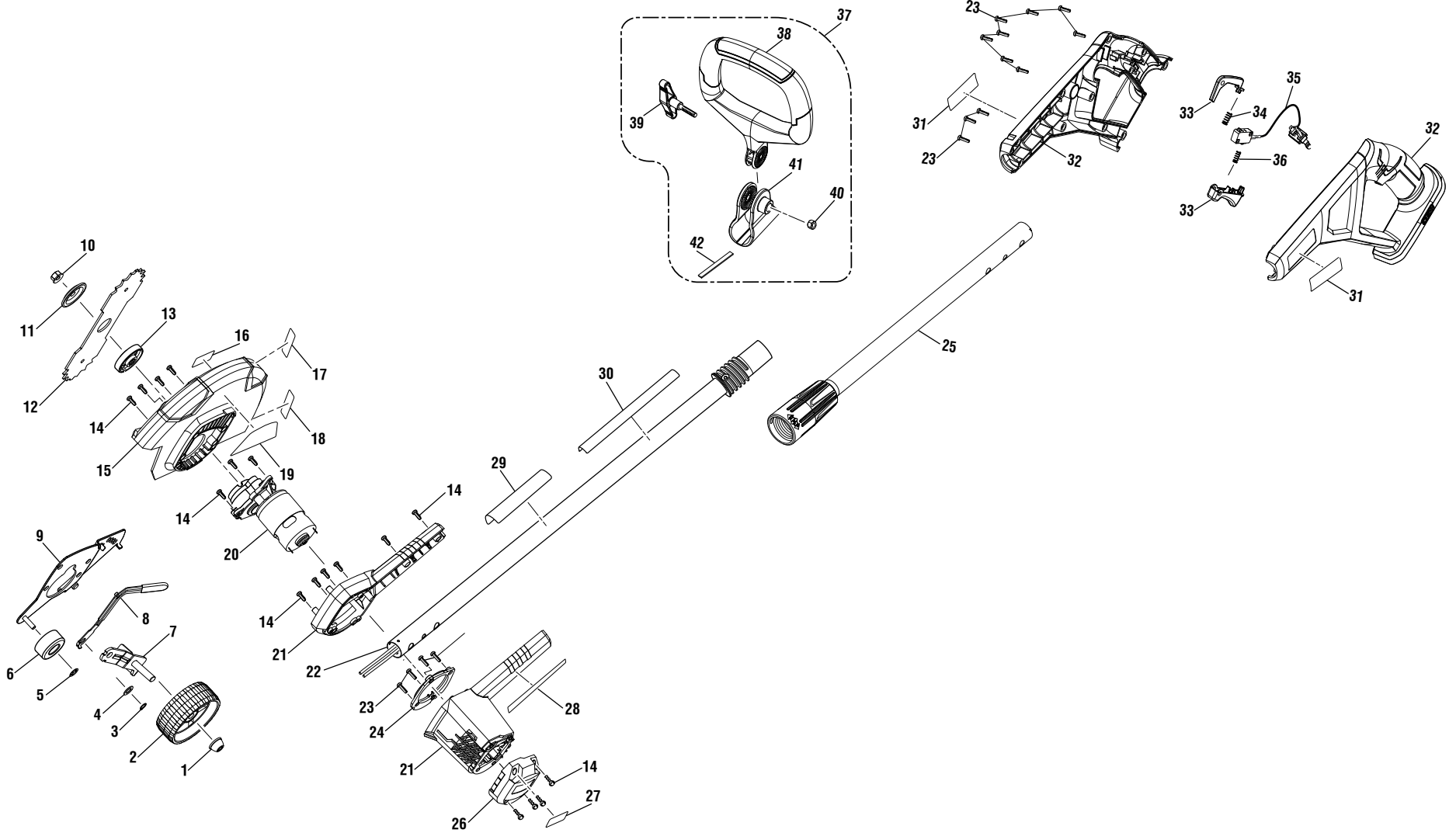


**RYOBI
18 VOLT EDGER
ITEM NO. P2300
MANUFACTURING NO. 090265001
REPLACEMENT PARTS LIST**

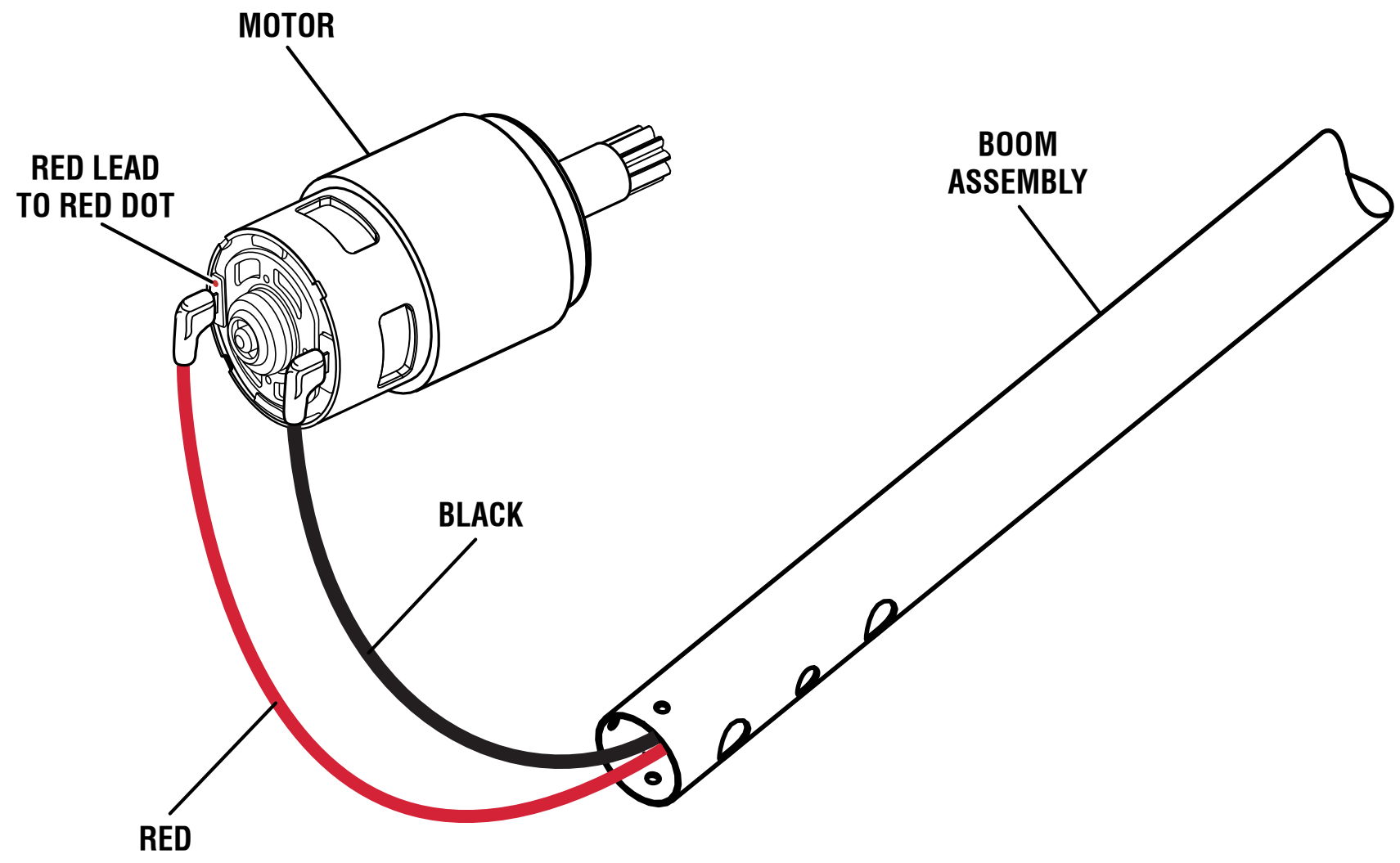
RYOBI 18 Volt Edger – Item No. P2300



RYOBI 18 Volt Edger – Item No. P2300

The model number will be found on a label attached to the motor housing. Always mention the model number of your **EDGER** when requesting service or ordering repair parts.

KEY NO.	PART NUMBER	DESCRIPTION	QTY	KEY NO.	PART NUMBER	DESCRIPTION	QTY
1	308483001	Push Nut (10 mm).....	1	25	307330001	Upper Tube Assembly	1
2	525397001	Wheel (Plastic).....	1	26	311595001	Motor Cover (Inc. Key No. 27).....	1
3	679995001	C-Ring (OD 10.59 x ID 8.94).....	1	27	940705297	Ryobi Logo Label	1
4	639142001	Washer (Wheel Adjuster)	1	28	940851073	18V Lithium Label.....	1
5	311153001	Push Cap.....	1	29	940851070	Warning Label (French & Spanish)	1
6	525802001	Wheel (Edger Depth Restrictor).....	1	30	940851069	Icon Warning Label.....	1
7	307401001	Pivot Bracket Assembly	1	31	940705298	Logo Label (Handle)	2
8	311150001	Depth Adjustment Lever.....	1	32	311591001	Rear Handle Assembly (Inc. Key No. 31).....	1
9	311151001	Bracket Assembly (Anti-Skid Pad).....	1	33	311593001	Switch Trigger Assembly	1
10	678128002	Hex Nut w/Lock Washer.....	1	34	679406001	Compression Spring (Lock-Out).....	1
11	638017001	Cupped Washer.....	1	35	311594001	Wiring Harness	1
12	638006008	Blade	1	36	679083001	Compression Spring.....	1
13	678011001	Flange Washer.....	1	37	311158001	Auxiliary Handle Assembly (Inc. Key Nos. 38-42).....	1
14	661817001	Screw (M4 x 14 mm, T15 Torx Pan Hd.).....	17	38	523409001	Front Handle Assembly	1
15	311597001	Guard Assembly (Inc. Key Nos. 16-19)	1	39	522983001	Wing Bolt (M6 x 1 in.)	1
16	940851074	Guard Logo.....	1	40	680196006	Hex Nut (M6).....	1
17	940851072	Shield Icon Warning Label.....	1	41	310921001	Clamp Assembly (Inc. Key No. 42).....	1
18	941748001	Wheel Depth Adjustment Label.....	1	42	570112001	Rubber Plate.....	1
19	941588097	Data Label	1				
20	220364001	Motor and Gear Box Assembly	1		Not Shown		
21	311592001	Motor Housing (Inc. Key No. 28)	1		991000626	Operator's Manual	
22	311596001	Lower Boom Assembly	1		8-4-15		
23	660206055	Screw (M3.5 x 14 mm, Pan Hd.).....	15		(Rev:01)		
24	525398001	Baffle.....	1				



WIRING DIAGRAM