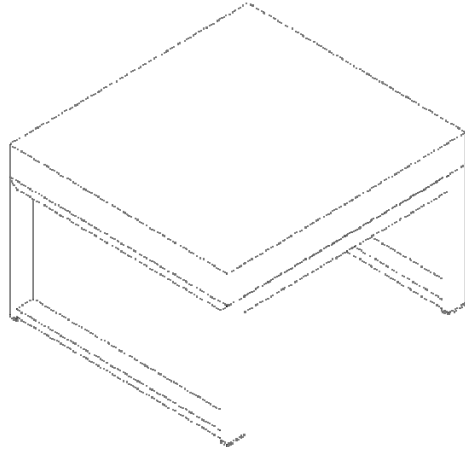


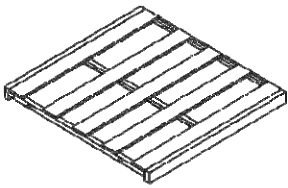
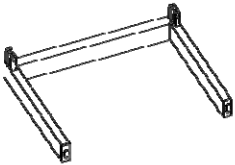
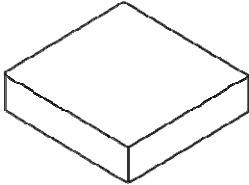
# Assembly Instructions

**Caution : You must read this before you proceed**



## Ottoman



### Parts List

Label	Picture	Description	QTY
A		Seat Panel	1
B		Leg	2
C		Seat Cushion	1

### Hardware

Label	Picture	Description	QTY
①		Bolt (M6*30MM)	5
②		Bolt (M6*25MM)	5

③

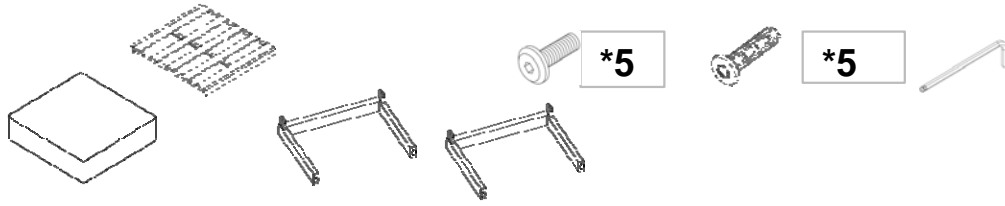


Allen Key

1

## Assembly Preparation

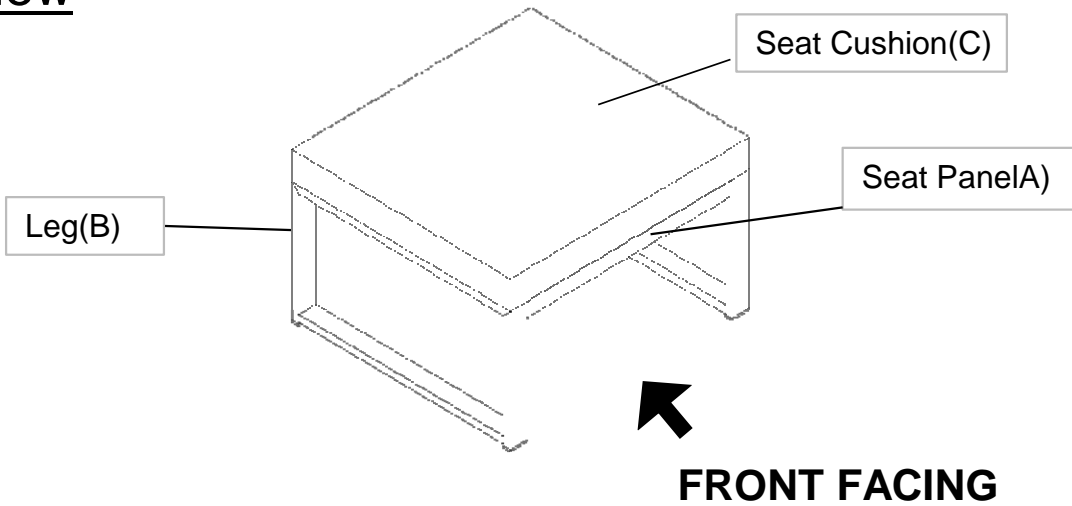
Before Beginning Assembly



- Read instructions, cover to cover-
- Have 2 adults on hand for assembly-
- Do not assemble on flooring or carpet-
- Assemble on a clean non-marring surface (packing foam)-
- Save all packaging until finished-

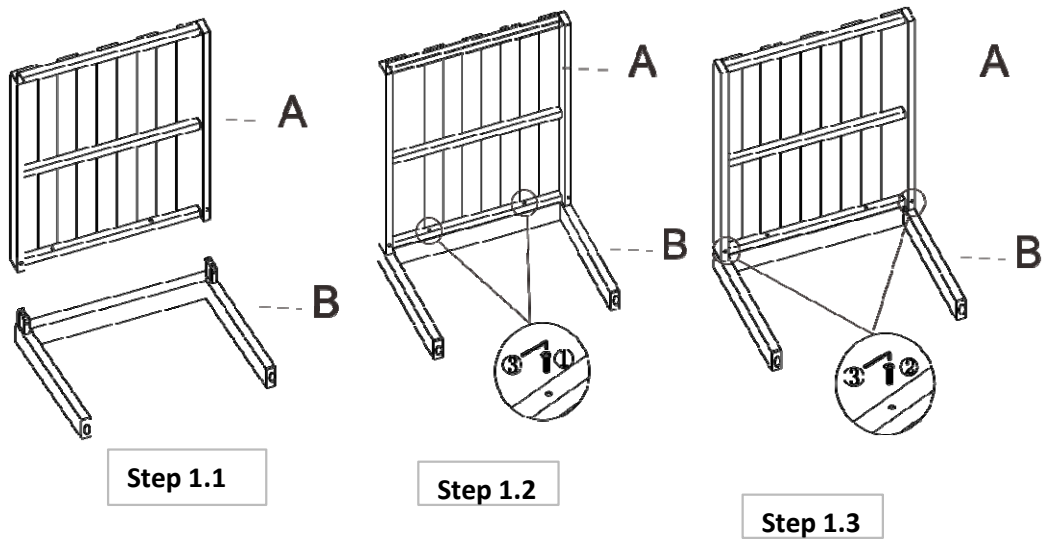
## Assembly Steps

### Overview



This Ottoman has multiple parts and may require up to some 30minutes to assemble. To give you an overview of the Ottoman parts, the above picture is to help you put the various parts into perspective. Please read through the instructions below to familiarise yourself with the parts and steps before assembly.

## Step 1



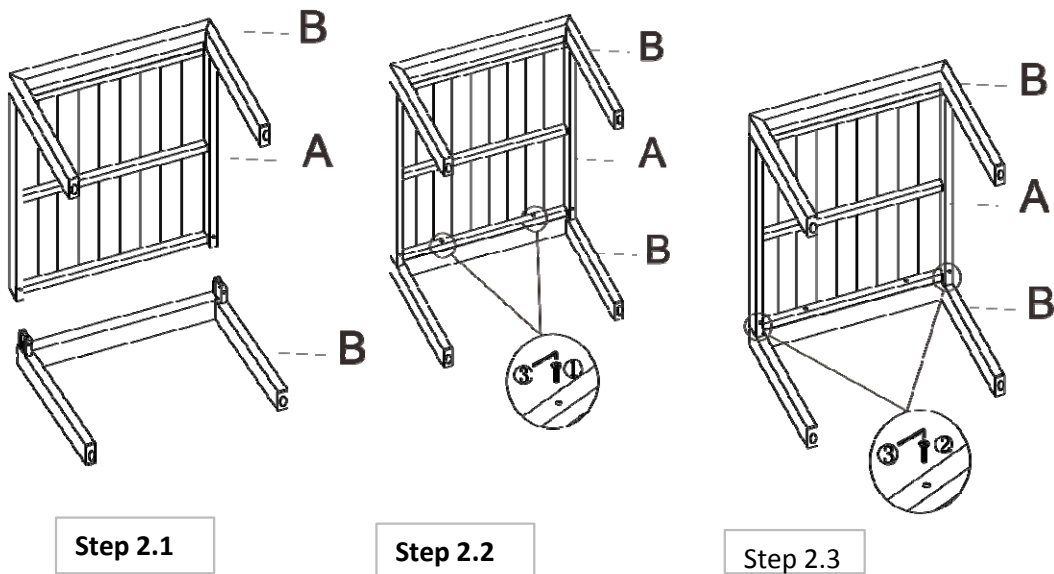
Open the carton and place all the parts onto a clean, non-marring surface.

**Step 1.1** Insert Seat Panel((A) to Leg(B) as shown above

**Step 1.2** Attach Seat Panel((A) to Leg(B) using Bolts(①) with Allen Key(③) as shown above.

**Step 1.3** Attach Seat Panel((A) to Leg(B) using Bolts(②) with Allen Key(③) as shown above.

## Step 2



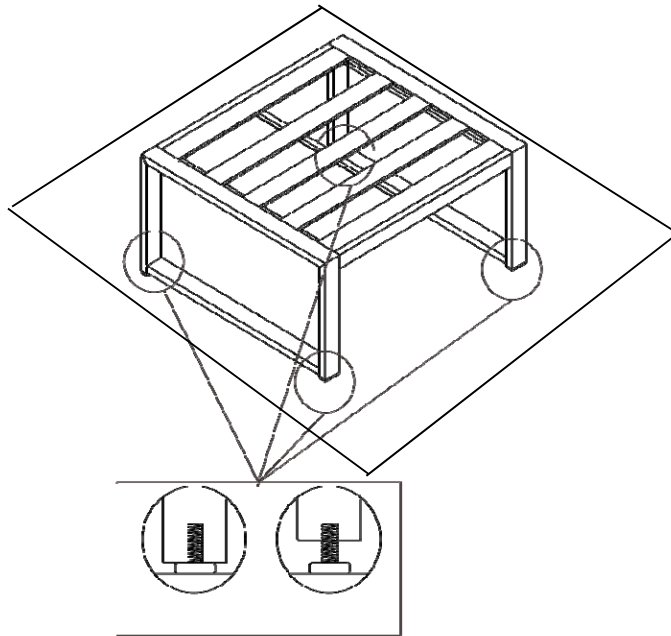
Step 1.1 Insert Seat Panel((A) to Leg(B) as shown above

Step 1.2 Attach Seat Panel((A) to Leg(B) using Bolts(①) with Allen Key(③) as shown above.

Step 1.3 Attach Seat Panel((A) to Leg(B) using Bolts(②) with Allen Key(③) as shown above.

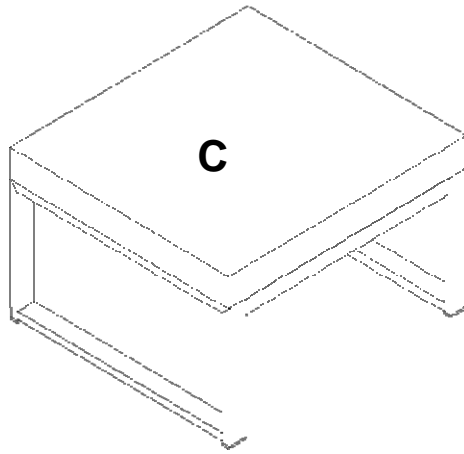
**Do not fully tighten the Bolts**

### Step 3



Then, with the assistance from an adult partner, stand the Chair upright. Adjust the Pre-installed Levellers until the Ottoman is level with the ground. To adjust the Levellers, with the assistance from an adult partner, tilt the Chair to rest on two feet. Adjust the levellers to the desired height to avoid wobbles.


### Step 4







Place the Seat Cushion(U) on the ottoman.  
Your Ottoman is ready for use.

**This Ottoman can only be used on a flat, level surface.**

## Care & Maintenance

 Do not put hot items directly on furniture surface.

-  Do not clean furniture with harsh cleansers or polish.
-  To obtain the longest lifespan of your outdoor products, minimizing exposure to direct sunlight is recommended.
-  Children should not climb or jump on the furniture.
-  Do not write on furniture without a padded barrier to protect the surface.
-  To obtain the longest lifespan of your outdoor products, avoid extended and lengthy exposure to rain, snow, and direct sunshine. Whenever possible cover the product and /or place under patio or awnings.
-  Not for commercial use. For residential use only.
-  Stains may be removed with mild soap solution and damp cloth.

-  Dust and pick-up spills using a clean, non-colored, lint-free cloth.

### What Is Proposition 65?

Proposition 65 is a California law that requires warning labels on products that may contain one of more than 800-plus chemicals or ingredients that the California Office of Environmental Health Hazard Assessment (OEHHA) has deemed to cause cancer or other reproductive toxicity. Chemicals and elements on this list include wood dust, brass, and other everyday substances, which can be found in very common household items, such as: lamps, tableware, jewelry, crystal glasses, electric cords, beauty products, automobiles, and furniture.

### Why Did I Find a Proposition 65 Warning on My Home Goods Product?

We include Proposition 65 warnings on all of our products because there is always a chance that one of the 800-plus common chemicals and ingredients listed under this law could potentially be on our furniture or packing materials. We risk large fines under this law, if we don't include this warning.

### Should I worry?

We realize you may be worried finding this warning on our products, but we want to reassure you that the hazardous exposure limits for any of these chemicals have never been found on furniture products that we've shipped to our customers. Additionally, this warning label is very common and can be found on almost every piece of furniture sold in the state of California.

### Just How Common Are Proposition 65 Warnings?

Proposition 65 warnings have become so common in California that it is hard to take a trip to a local bank, grocery store, or restaurant without finding at least one warning. In fact, even the Disney Land Resort has a Proposition 65 warning:

