

## VIGO INDUSTRIES INSTALLATION GUIDE FOR SHOWER DOOR (MODEL VG6081)

### **SAFETY PRECAUTIONS**

This Installation Guide uses the following symbols to indicate important information. Always observe the instructions indicated by these symbols.

### **WARNING**

Instructions that, if ignored, could result in death or serious personal injury caused by incorrect handling or installation of the product. These instructions must be observed for safe installation.

### **IMPORTANT**

Maintenance and other important non-personal injury and non-material damage instructions or statements that should be observed.

It is highly advised to dry fit the unit prior to any installation.

 **Product lines may change, contact your Vigo representative at 1-866-591-7792 or visit our website at [www.vigoindustries.com](http://www.vigoindustries.com) for the most up to date product line information.**

\*VIGO reserves the right to modify/update all hardware and glass components based on bettering the product for the end user's experience. If you have any questions contact VIGO Tech Support at 1-866-591-7792.

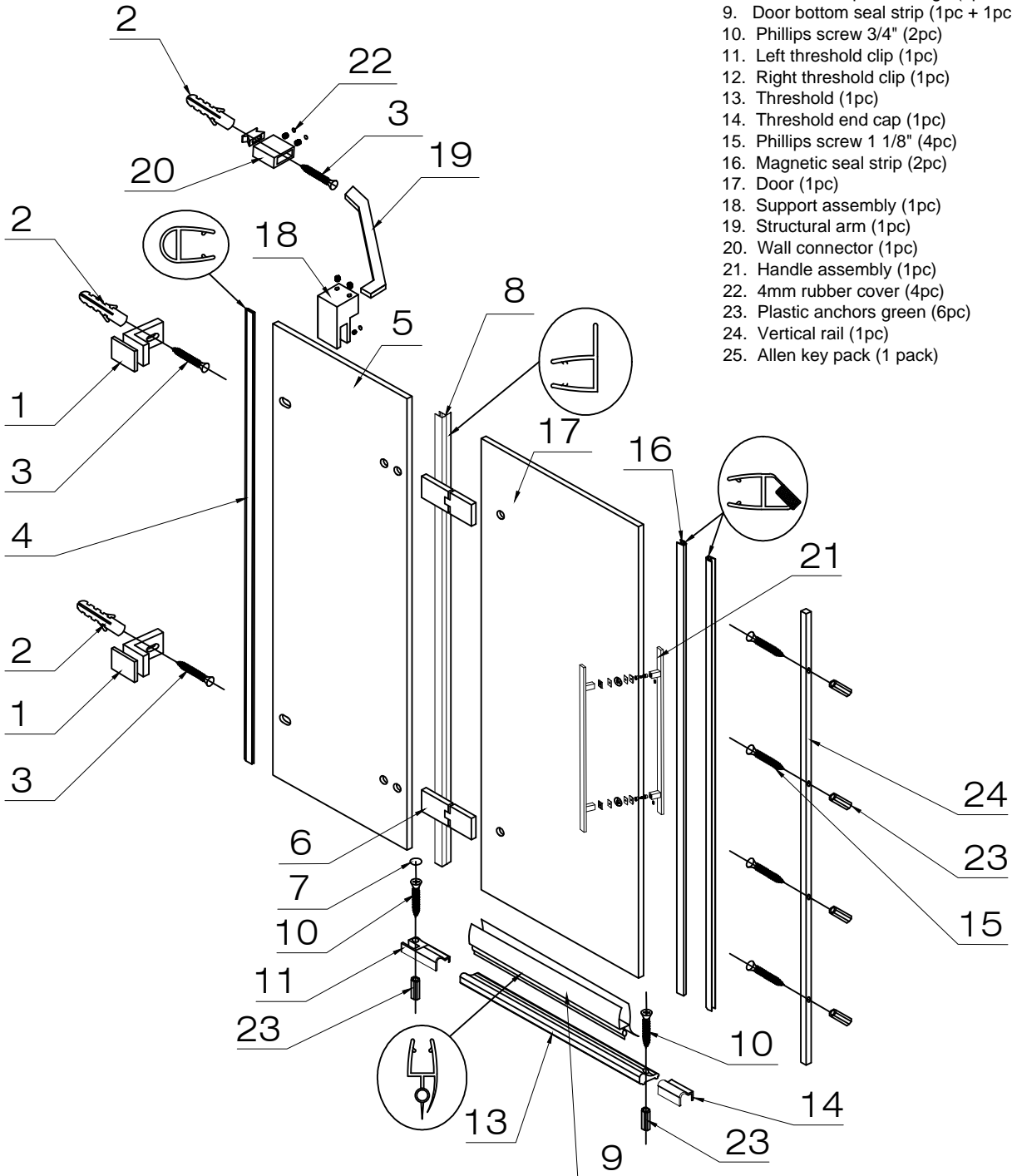
**MODEL VG6081 ROCHELLE**

**INSTALLATION INSTRUCTIONS FOR SHOWER DOOR**

PLEASE READ INSTRUCTIONS BEFORE PROCEEDING

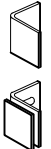
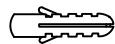

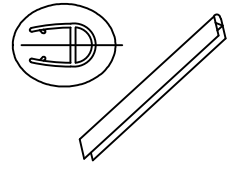

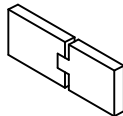
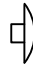
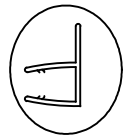
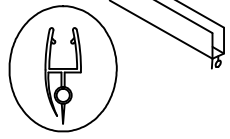

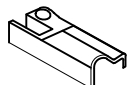
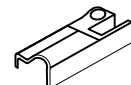
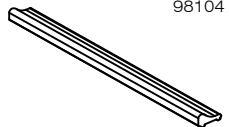
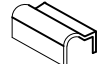


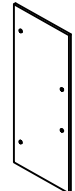
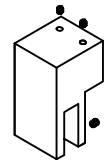

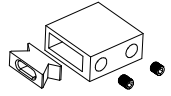
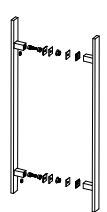
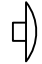

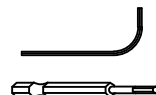
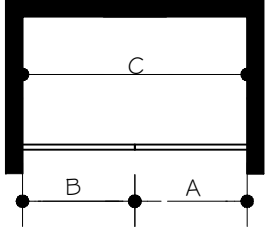
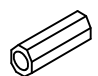
Parts List

1. Glass support (2pc)
2. Plastic anchors white (3pc)
3. Hex screw 1 5/8" (3pc)
4. Side seal strip (1pc)
5. Fixed panel (1pc)
6. Hinges (2pc)
7. 8mm rubber cover (1pc)
8. Side seal strip with flange (1pc + 1pc spare)
9. Door bottom seal strip (1pc + 1pc spare)
10. Phillips screw 3/4" (2pc)
11. Left threshold clip (1pc)
12. Right threshold clip (1pc)
13. Threshold (1pc)
14. Threshold end cap (1pc)
15. Phillips screw 1 1/8" (4pc)
16. Magnetic seal strip (2pc)
17. Door (1pc)
18. Support assembly (1pc)
19. Structural arm (1pc)
20. Wall connector (1pc)
21. Handle assembly (1pc)
22. 4mm rubber cover (4pc)
23. Plastic anchors green (6pc)
24. Vertical rail (1pc)
25. Allen key pack (1 pack)



GLASS THICKNESS 8mm / 5/16"

NOTE: INSTALLATION MUST BE DONE BY A QUALIFIED, LICENSED PROFESSIONAL.

<p>1. GLASS SUPPORT</p>  <p>98095</p>	<p>2. PLASTIC ANCHOR WHITE</p>  <p>98038</p>	<p>3. HEX SCREW 1 5/8"</p>  <p>98039</p>	<p>4. SIDE SEAL STRIP</p>  <p>96043</p>	<p>5. FIXED PANEL</p>  <p>97050CL21 97050CL33</p>
<p>6. HINGES</p>  <p>98146</p>	<p>7. 8mm RUBBER COVER</p>  <p>98111</p>	<p>8. SIDE SEAL STRIP WITH FLANGE</p>  <p>96044</p>	<p>9. DOOR BOTTOM SEAL STRIP</p>  <p>96045</p>	<p>10. PHILLIPS SCREW 3/4"</p>  <p>98033</p>
<p>11. LEFT THRESHOLD CLIP</p>  <p>98057</p>	<p>12. RIGHT THRESHOLD CLIP</p>  <p>98058</p>	<p>13. THRESHOLD</p>  <p>98104</p>	<p>14. THRESHOLD END CAP</p>  <p>98150</p>	<p>15. PHILLIPS SCREW 1 1/8"</p>  <p>98136</p>
<p>16. MAGNETIC SEAL STRIP</p>  <p>96046</p>	<p>17. DOOR</p>  <p>97049</p>	<p>18. SUPPORT ASSEMBLY</p>  <p>98153</p>	<p>19. STRUCTURAL ARM</p>  <p>98096</p>	<p>20. WALL CONNECTOR</p>  <p>98098</p>
<p>21. HANDLE</p>  <p>98152</p>	<p>22. 4mm RUBBER COVER</p>  <p>96040</p>	<p>24. VERTICAL RAIL</p>  <p>98151</p>	<p>25. ALLEN KEY PACK</p>  <p>MISC</p>	
<p>23. PLASTIC ANCHOR GREEN</p>  <p>98037</p>				

MODEL	DIMENSION "A" (DOOR)	DIMENSION "B" (FIXED PANEL)	DIMENSION "C" (WIDTH)	HEIGHT	DOOR OPENING WIDTH
VG6081XX4874	27 5/8" x 73"	21 3/4" x 74"	47 1/4" - 48 3/4"	74"	22 7/8" - 24 1/4"
VG6081XX6074	27 5/8" x 73"	33 3/4" x 74"	59 1/4" - 60 3/4"	74"	22 7/8" - 24 1/4"

A, B & C DIMENSIONS WERE MEASURED AFTER SHOWER DOOR WAS COMPLETELY INSTALLED

**⚠ WARNING**

WE STRONGLY RECOMMEND THAT A LICENSED PROFESSIONAL INSTALL THIS SHOWER DOOR AND INCLUDE THE ASSISTANCE OF A SECOND PERSON TO INSTALL THE DOOR UNIT.

INSTALLATION OF THE SHOWER DOORS BY AN INEXPERIENCED PERSON MAY RESULT IN GLASS BREAKAGE AND, CONSEQUENTLY, CAUSE PERSONAL INJURY OR DEATH.

- Handle fragile items with care to prevent personal injury or material damage.
- The glass panels are tempered and cannot be cut. Never attempt to do so.
- Always rest glass on a level surface

**BEFORE STARTING**

Compare items on your invoice with what you have received. Carefully review the Packing List on page 2. If any items are missing contact Vigo Industries at 1-866-591-7792. Please check our website at [www.vigoindustries.com](http://www.vigoindustries.com) for additional information or instructional videos.

**REQUIRED TOOLS**

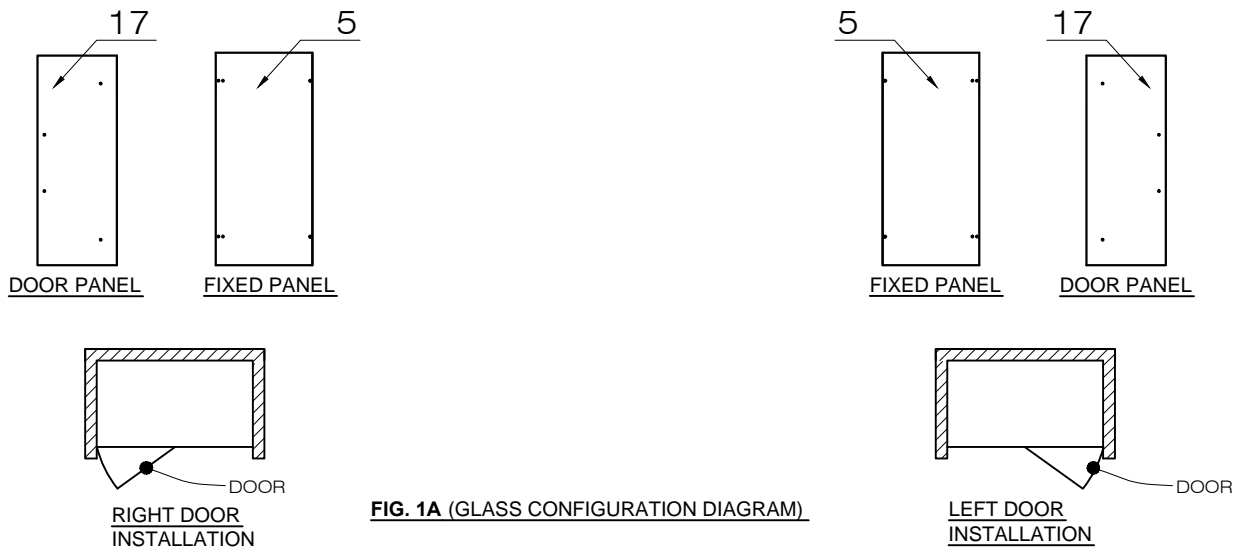
- Square and/or Phillips #1 and #2 screwdriver
- Flat head screwdriver
- Electric drill plus 1/32", 3/32", 1/8" and 1/4" drill bit (depending on wall)
- Level
- Measuring tape
- Pencil (non-permanent)
- Clear silicone caulking
- Utility knife
- Shims (not provided)

**⊘ IMPORTANT**

- Fiberglass, acrylic or sheetrock construction might not be sufficiently strong enough to support the shower door unit. You should use the wood framing studs from behind the face edge of the stall to provide a secure mounting to the door. Apply a bead of silicone between the walls and base of the stall.
- For optimum performance, you should install the shower door perfectly level on a level surface. Failure to do so will lead to water leakage and potential property damage.
- When installing use heavy duty gloves.

**IMPORTANT:**

**THE CLEAR GLASS MODEL HAS A REVERSIBLE DOOR AND CAN BE INSTALLED TO THE RIGHT OR LEFT SIDE. (SEE CONFIGURATION DIAGRAM BELOW)**



**FIG. 1A (GLASS CONFIGURATION DIAGRAM)**

**MODEL VG6081**

**PREPARATION STEPS TO FOLLOW BEFORE INSTALLATION**

**⊘ IMPORTANT**

- Verify that the overall size of the shower door opening is appropriate for the shower door.
- Due to individual site variations, exact guidelines for every situation cannot be supplied. The recommended framing and dimensional requirements are shown for a typical application and may vary depending on the site requirements.
- To prevent damage to the finish, you should protect the shower cabin bottom with a cardboard protector before beginning the installation.
- Properly apply silicone to the wall and base joints.
- Make sure to read corresponding base instructions carefully prior to install on the Vigo Brand Shower Door System. Failure to do so can cause water leakage and bodily harm.
- Ensure that there is sufficient structural support behind the shower wall to hold the weight of the shower door. If there is insufficient enough support, then reinforce the shower walls with wooden studs prior to shower door installation. [SEE FIG. 1]

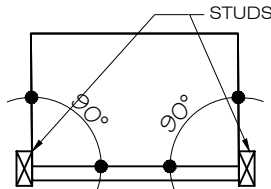
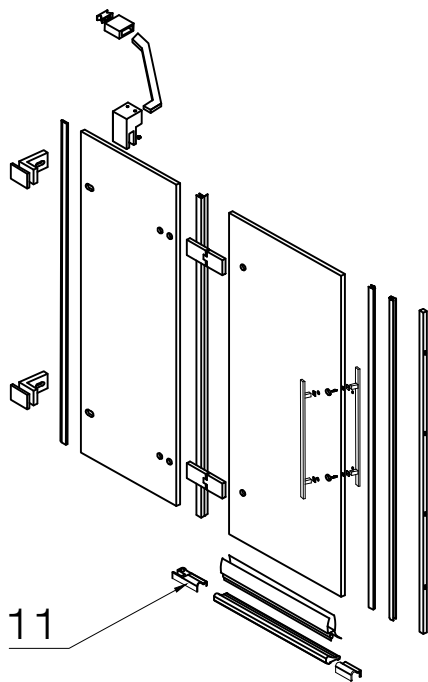


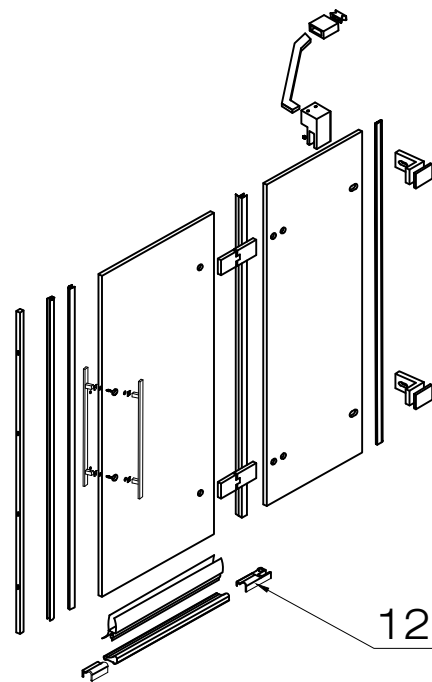
FIG.1

**⚠ CAUTION**

- **GASKETS NEED TO BE IN BETWEEN ALL GLASS AND METAL CONTACT. FAILURE TO DO SO CAN LEAD TO BREAKAGE AND POTENTIAL BODILY HARM.**



LEFT DOOR INSTALLATION

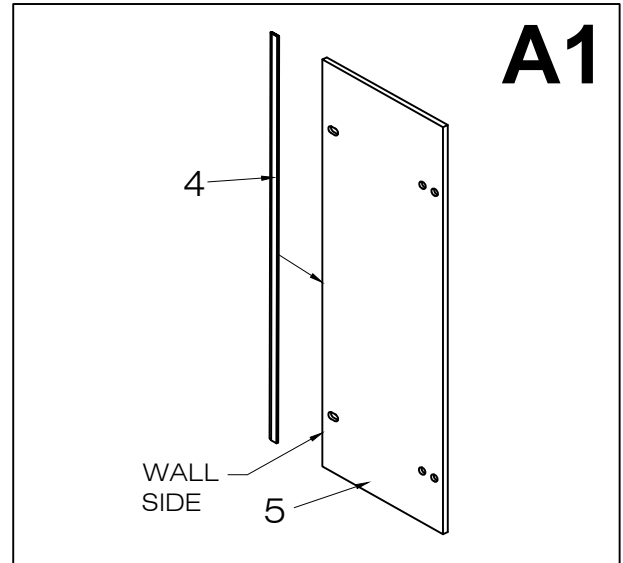


RIGHT DOOR INSTALLATION

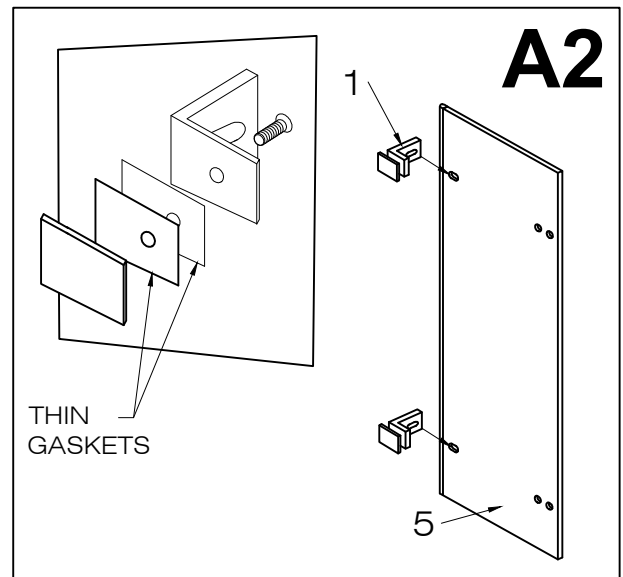
## INSTALLATION STEPS

### A. INSTALLING THE FIXED PANEL

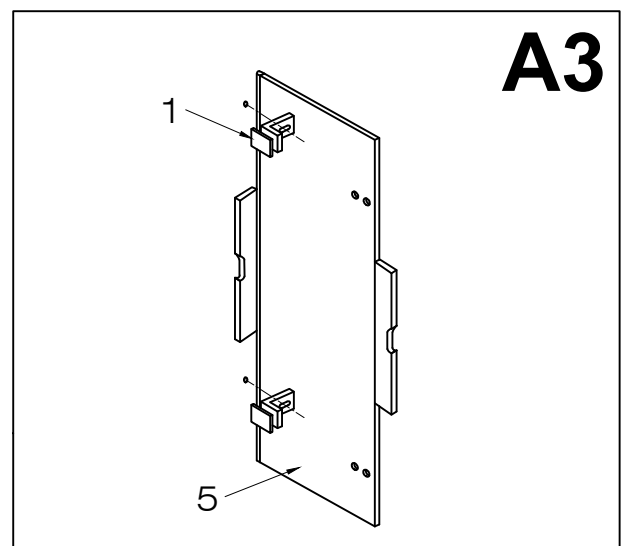
1. Arrange the fixed panel (#5) to the preferred configuration to determine the orientation of glass supports (#1). Clean the fixed panel (#5) edge where the side seal strip (#4) is to be installed with rubbing alcohol. Install the side seal strip (#4) to the wall side of the fixed panel.



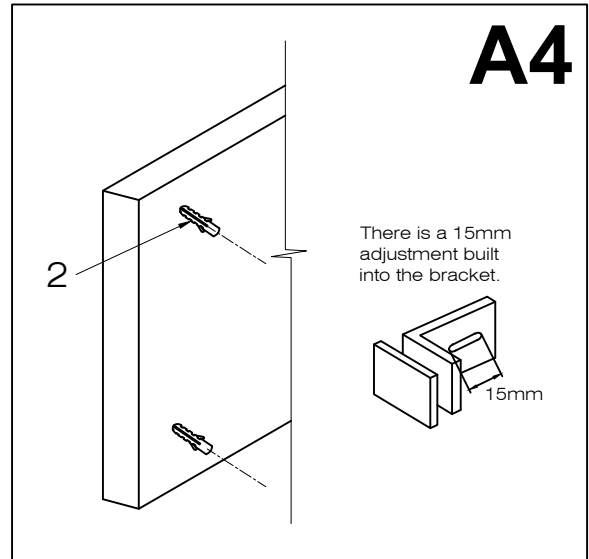
2. Screw in the glass supports (#1) with the hex key to the fixed panel (#5). Be sure to use washers on both sides of the panel.



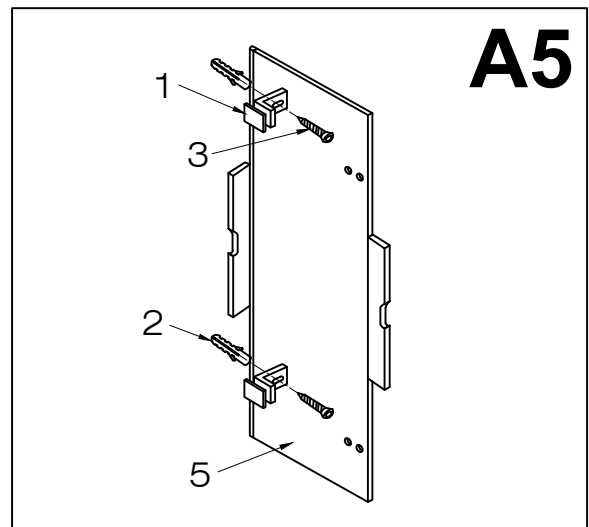
3. Mark holes on the wall for the mounting screws after leveling panel.



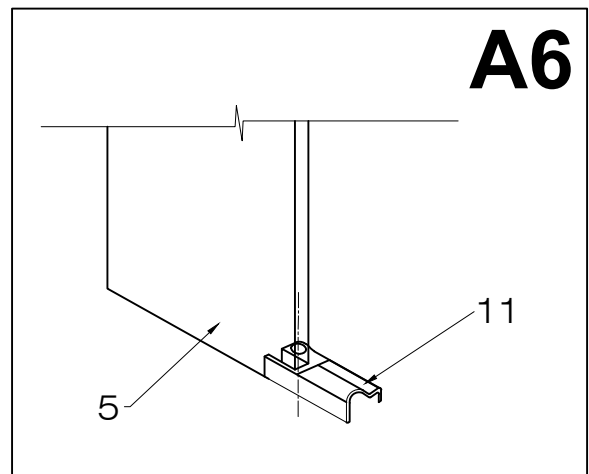
4. Remove the fixed panel and drill holes into the wall. Insert plastic anchors (#2) into the holes. **⚠ Not necessary if installing into studs. Studs are the preferred means of installation, anchors can pull out of the wall causing property damage and bodily harm. There is a 15mm adjustment built into the glass supports for minor modifications.**



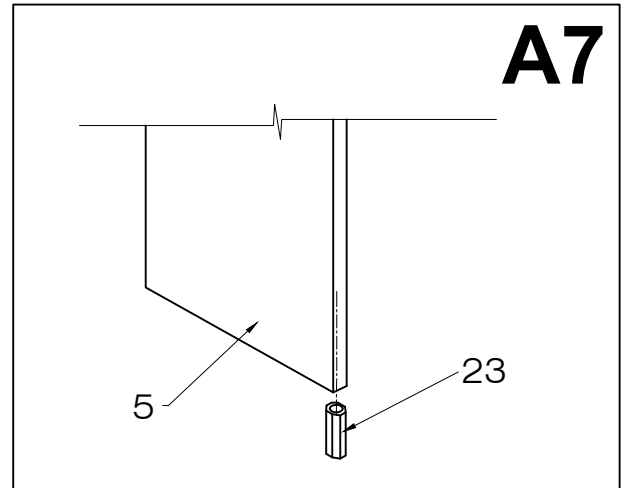
5. Replace the fixed panel (#5). Screw into the wall with 1 5/8" hex screws (#3).



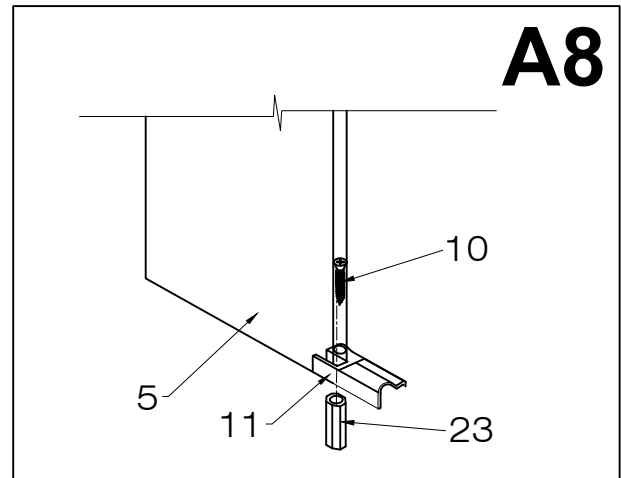
6. Position the left threshold clip (#11) at the bottom of the fixed panel (#5). Mark the location for the mounting hole.



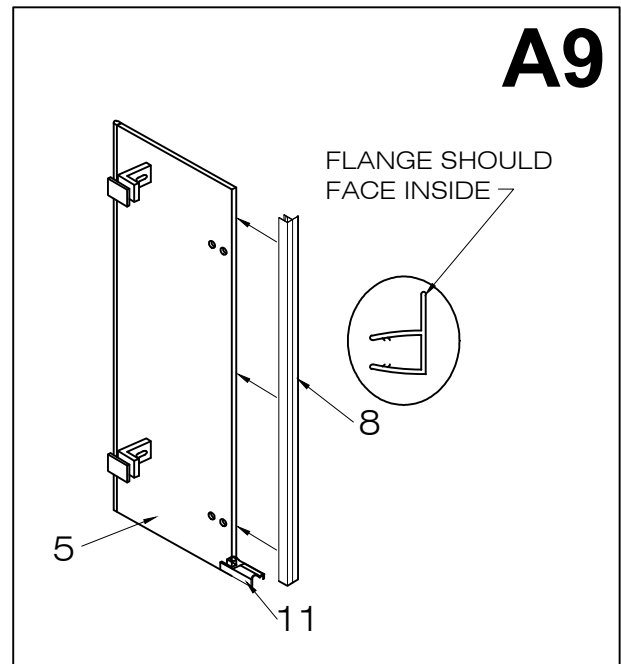
7. Remove the left threshold clip (#11). Move the fixed panel (#5) out of the way and drill a hole into the respective mark then put a plastic anchor (#23) in it. **⚠ Not necessary if installing into studs. Studs are the preferred means of installation, anchors can pull out of the wall causing property damage and bodily harm.**



8. Replace the left threshold (#11) and fixed panel (#5) to the proper position. Screw it into the floor with a 3/4" phillip screw (#10).



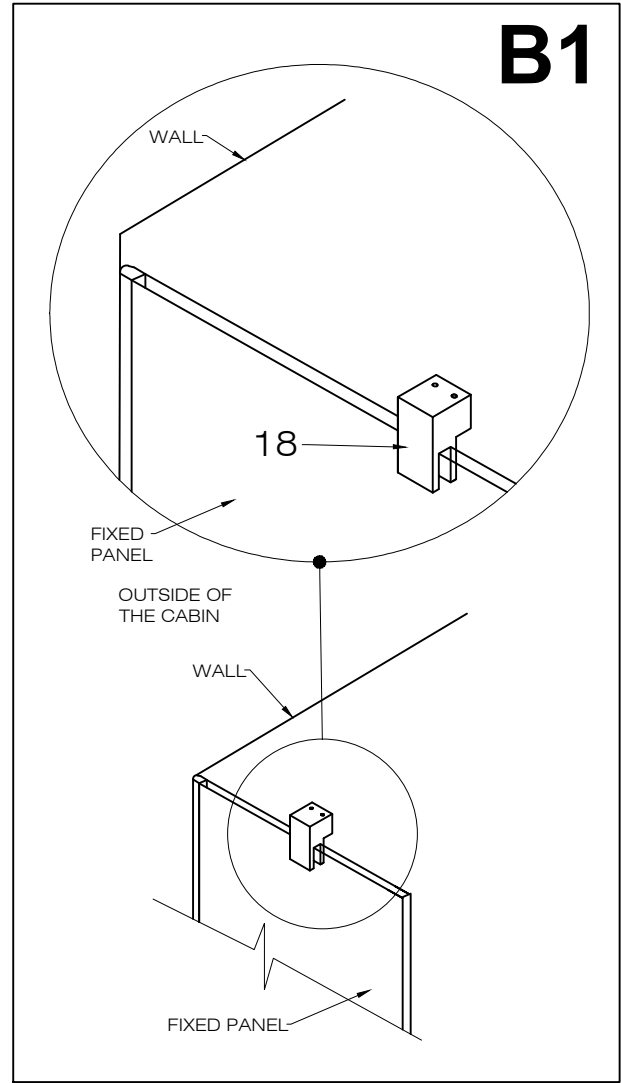
9. Clean the fixed panel (#5) where the side seal strip with flange (#8) is to be installed with rubbing alcohol. Install the side seal strip with flange (#8) to the hinge side of the fixed panel (#5). The flange should face towards the inside of the shower cabin and the bottom should rest on the left threshold clip (#11).



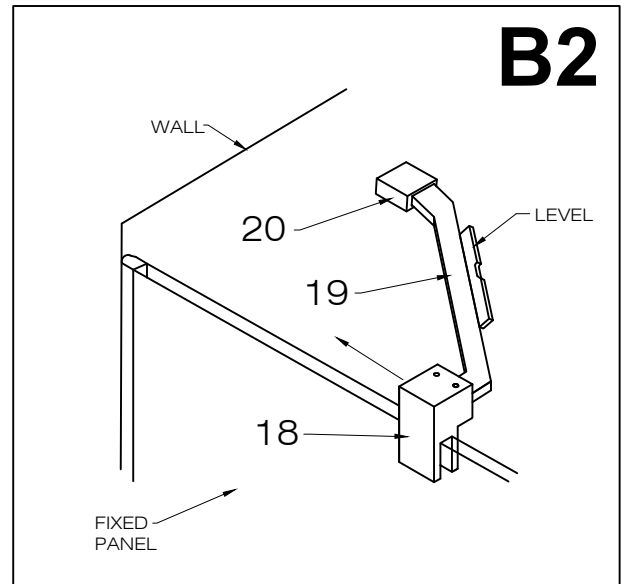


**B. INSTALLING THE STRUCTURAL ARM**

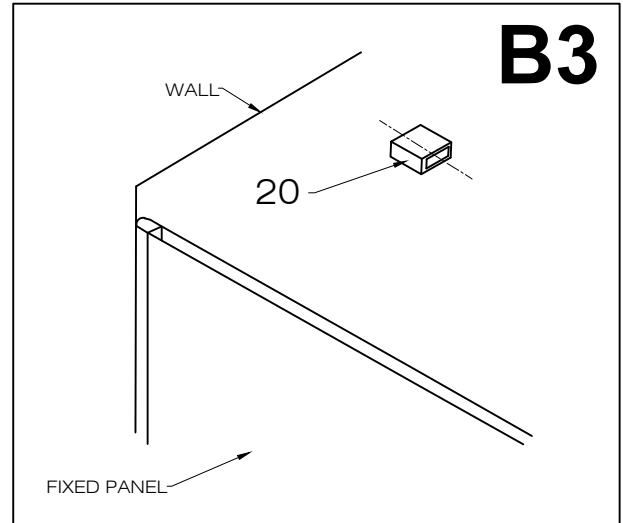
1. Install the support assembly (#18) onto the fixed panel (#5) approximately half way away from the wall. Do not tighten.



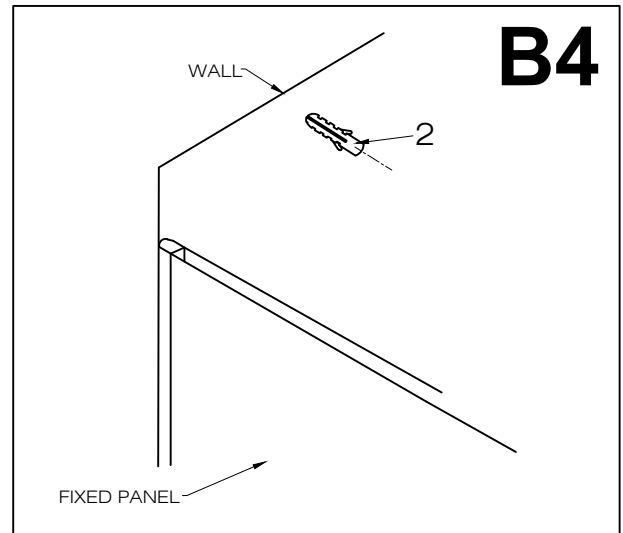
2. Install the structural arm (#19) to the support assembly (#18). The wall connector (#20) should be attached to the other side of the structural arm (#19). Slide the support assembly towards the wall until the wall connector (#20) is flush with the wall. Make sure it is level. Mark the location of the wall connector along the wall.



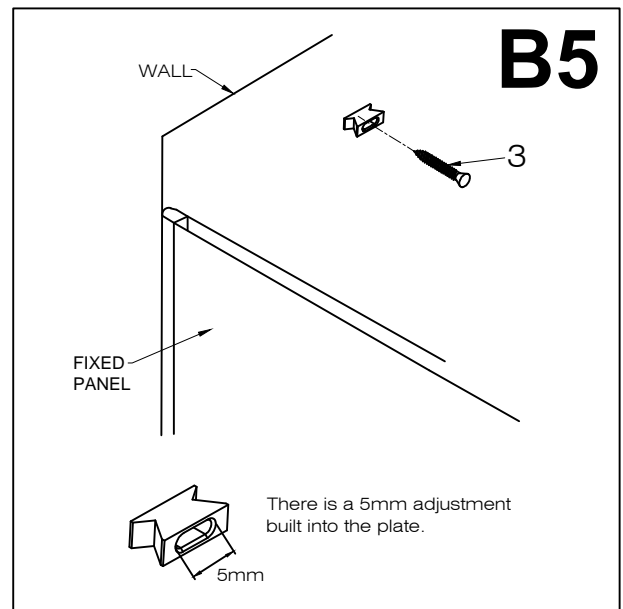
- Remove the support assembly. Position the wall connector (#20) back to where you marked the wall and mark a hole on the wall for the wall connector plate.



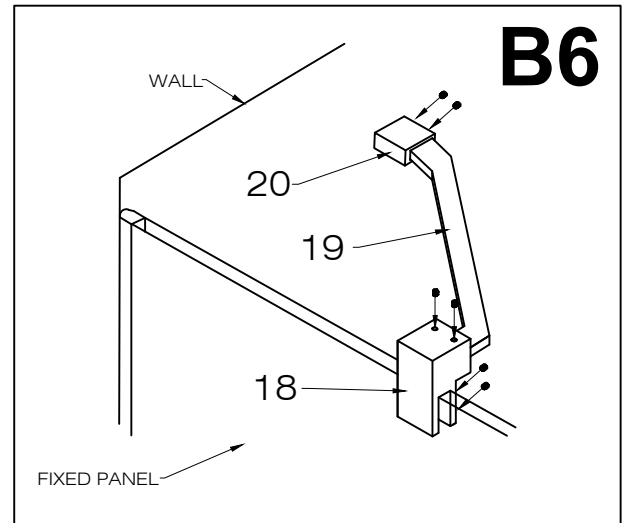
- Remove the wall connector (#20). Drill a hole into the respective mark and put a plastic anchor (#2) in it. **⚠ Not necessary if installing into studs. Studs are the preferred means of installation, anchors can pull out of the wall causing property damage and bodily harm.**



- Replace the wall connector plate to the proper position. Screw it into the wall with 1 5/8" screws (#3). **There is a 5mm adjustment built into the wall connector plate for minor modifications.**

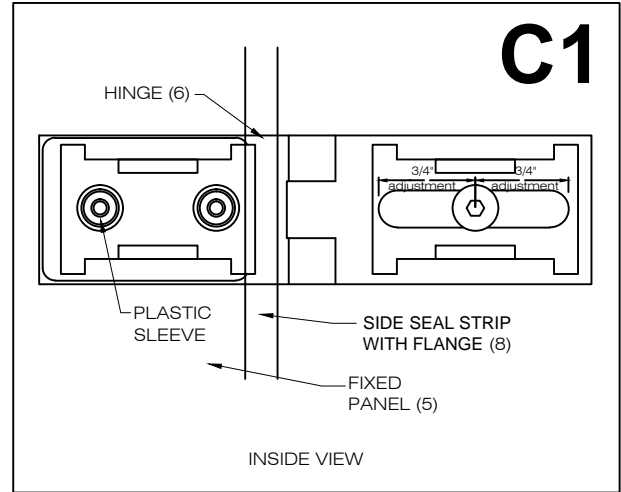


- Place the wall connector (#20) onto the plate and slide the structural arm (#19) into the wall connector. Slide the other side of the structural arm (#19) into the support assembly (#18) on the fixed panel. Tighten all set screws.

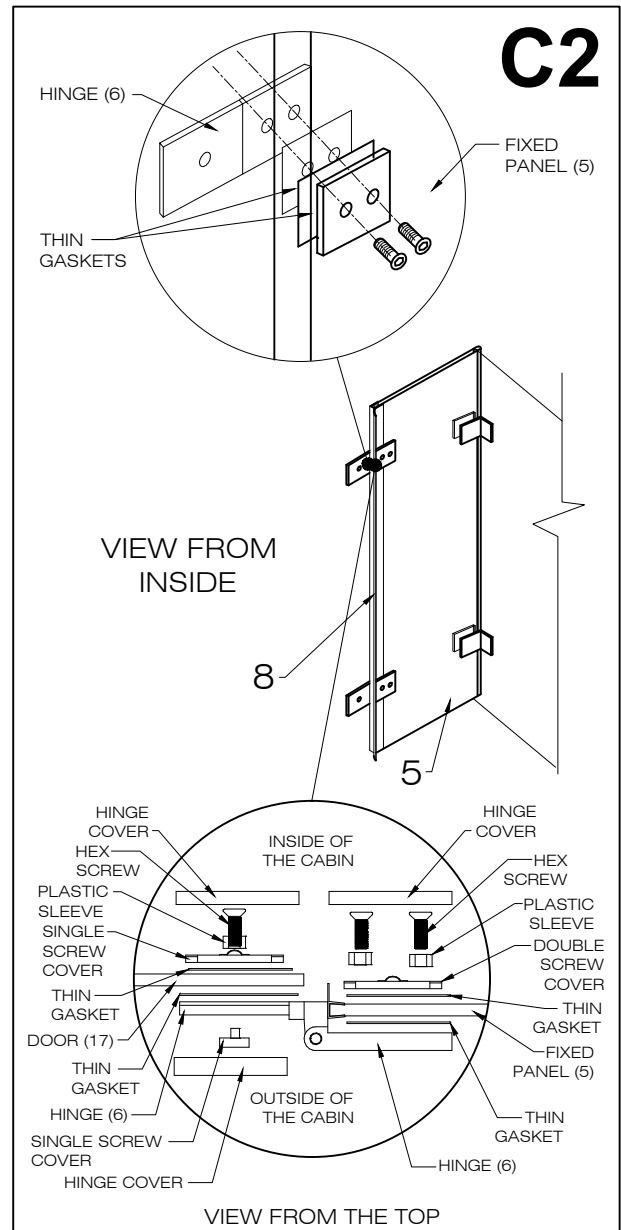


**C. INSTALLING THE HINGE**

1. Clean the glass surface on the fixed panel (#5) where the hinges (#6) are to be installed with rubbing alcohol. Place gaskets on each side of the fixed panel (#5). Position hinges on the fixed panel (#5) as shown. Do not remove the plastic sleeves from the hinge screws. The metal should not rest on the glass. **There is a 1 1/2 inch horizontal adjustment built into the hinges for minor modifications.**



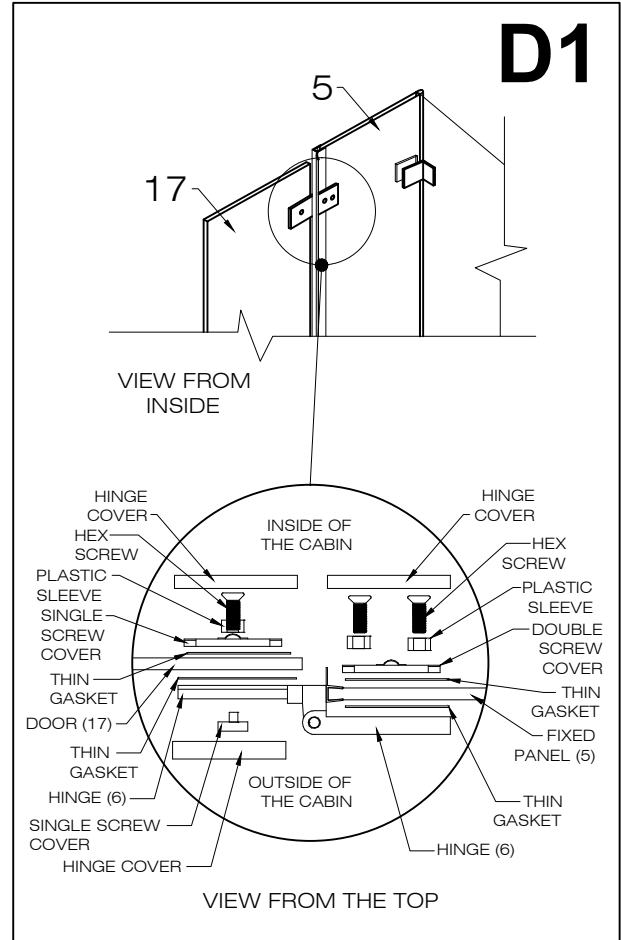
2. Screw the hinges (#6) to the fixed panel (#5) with the hex key (supplied).



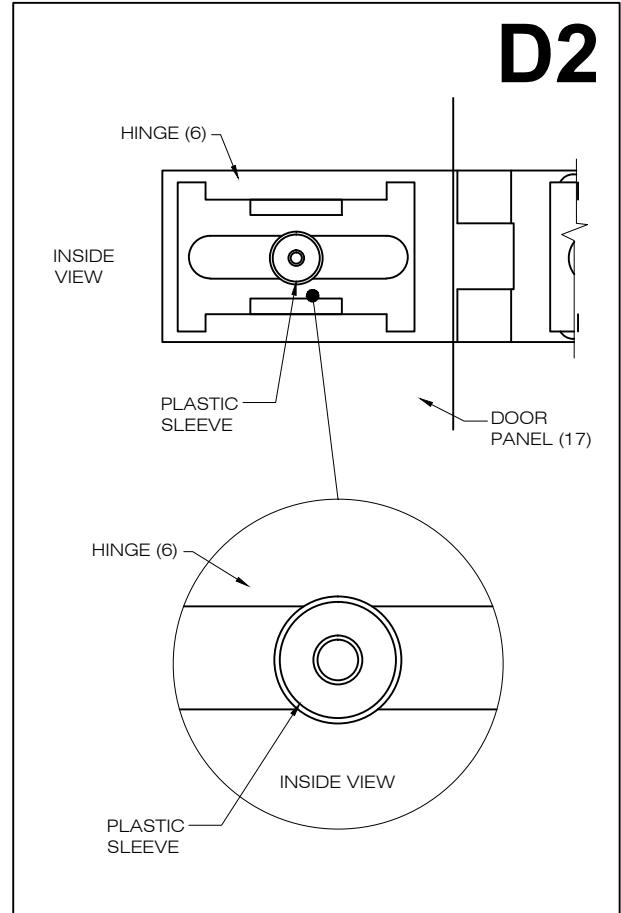
DOOR PANEL INSTALLATION REQUIRES TWO OR MORE PEOPLE TO ASSIST

**D. INSTALLING THE DOOR**

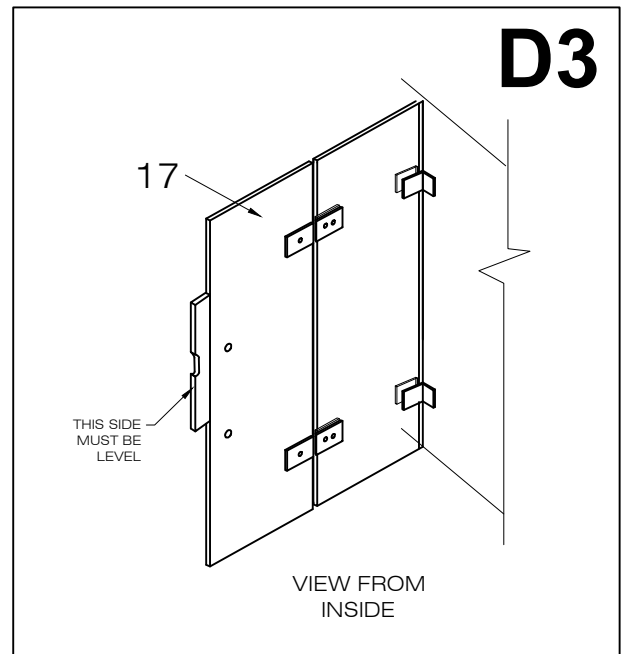
1. Clean the door panel (#17) edge where the hinge (#6) is to be installed with rubbing alcohol. Open the hinge to a 90° angle and place the door on a 7/8" shim (not provided). Install the top hinge first for safety and ease of install. Position the door onto the hinges. Hold securely in place using shims. The seal (#8) may get stuck between the two panels of glass. Pull the seal out of the groove using your fingers and nothing sharp, making sure not to damage the seal. Install the hinges as illustrated. Tighten hex screw into the plate. Use the allen key supplied. Adjust hinge so the gaps are equal at top and bottom and pull door panel away from fixed panel (#5) to allow the door to swing freely without crimping seal strip (#8). **There is a 1 1/2 inch horizontal adjustment built into the hinges for minor modifications.**



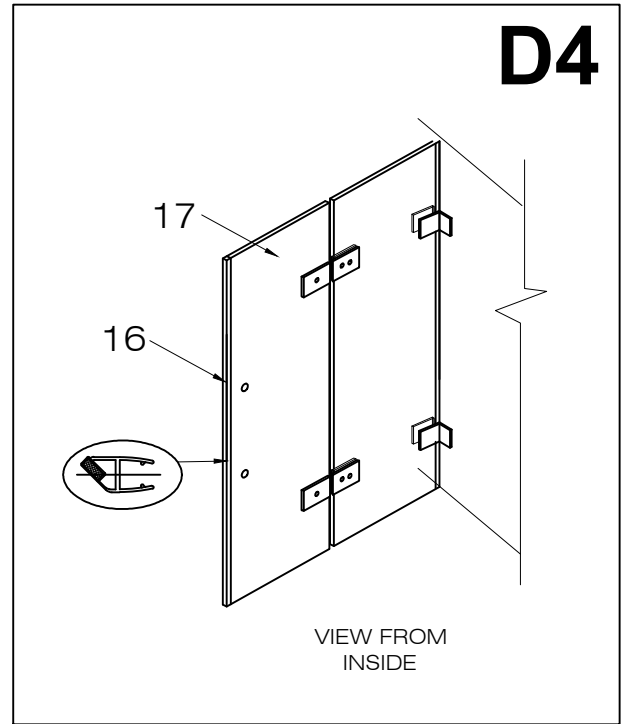
2. Lift door panel to be level with hinge panel.  
**NOTE - Screws have plastic sleeves to prevent metal to glass contact. Plastic sleeves prevent the door from sagging due to gravity and the weight of the door.**  
**⚠ Never install without plastic sleeves, this can cause the glass to break causing property damage and bodily harm.**



3. Make sure the door is level from the end. If the door is not level, adjust the hinge positions until the door is level. This being level is imperative to the installation and will guarantee a tight seal.

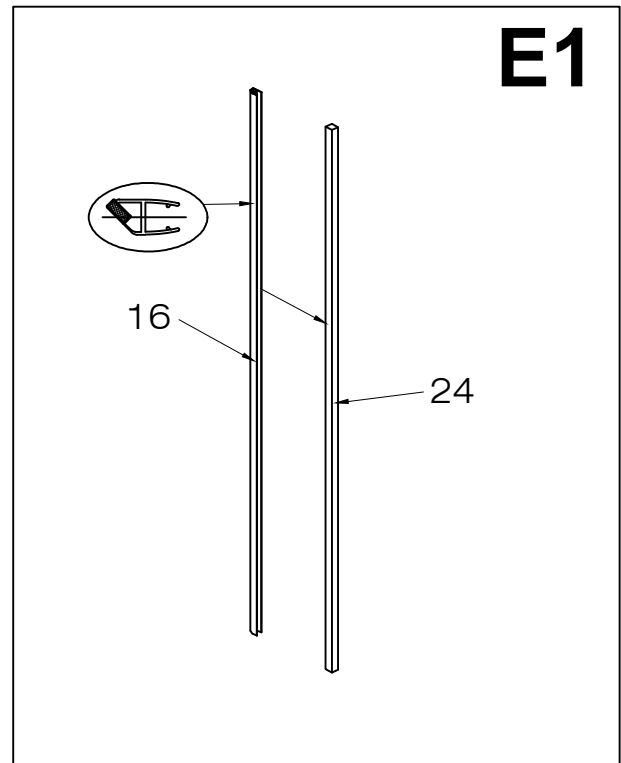


4. Clean the door (#17) glass surfaces where the magnetic seal strip (#16) is to be installed with rubbing alcohol. Place the magnetic seal strip (#16) to the door panel. The magnetic side should be facing the inside and the clear side be facing the outside. **⚠ Do not install the handle first, this is dangerous and may cause the glass to break.**

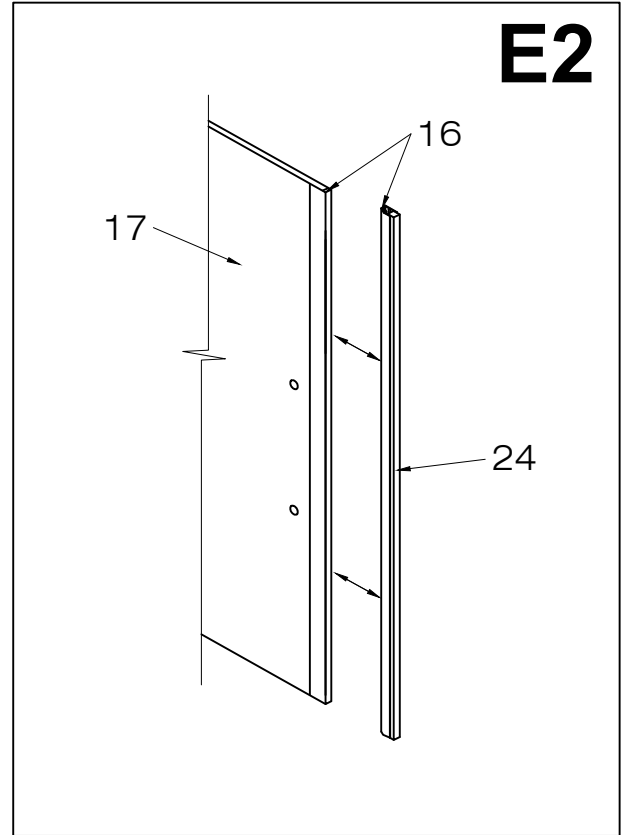


**E. INSTALLING THE VERTICAL RAIL**

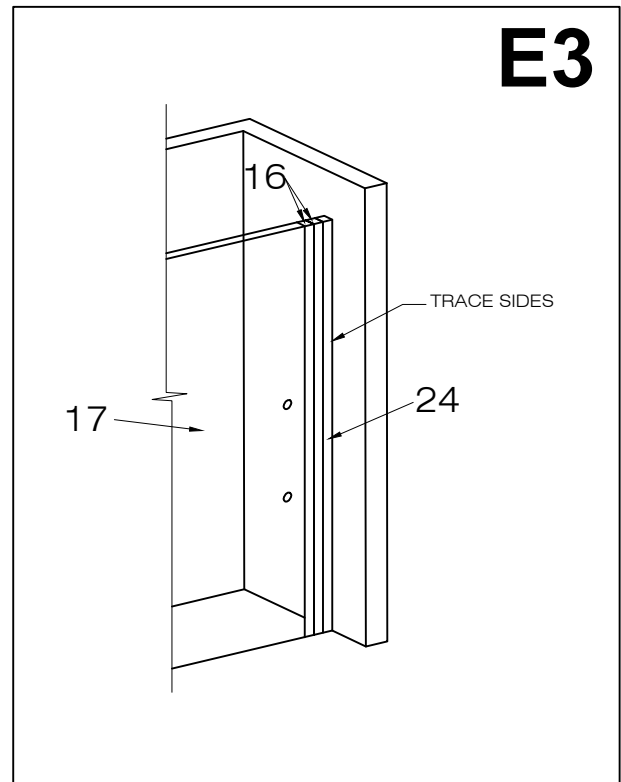
1. Clean the vertical rail (#24) with rubbing alcohol. Place the magnetic seal strip (#16) on the vertical rail (#24). The magnetic side should be facing the outside and the clear side be facing the inside.



2. Connect the vertical rail (#24) to the door panel (#17) by the magnetic seal strips (#16).

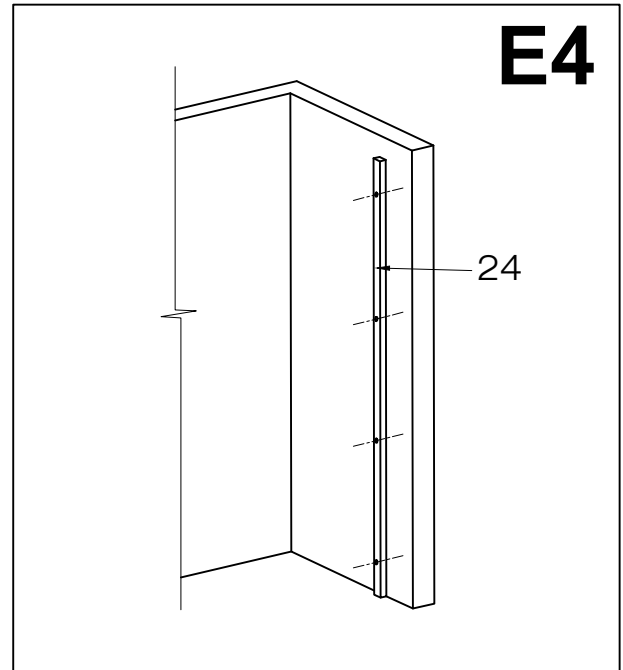


3. One person must hold the connection at the magnetic seal strips (#16) together and place the door in the closed position. The other person will mark the location of the vertical rail (#24) along the wall by tracing the sides.

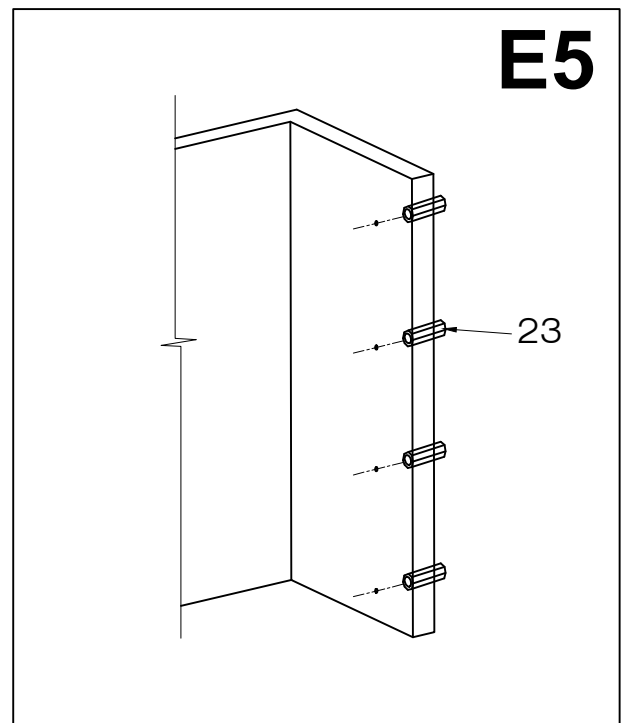




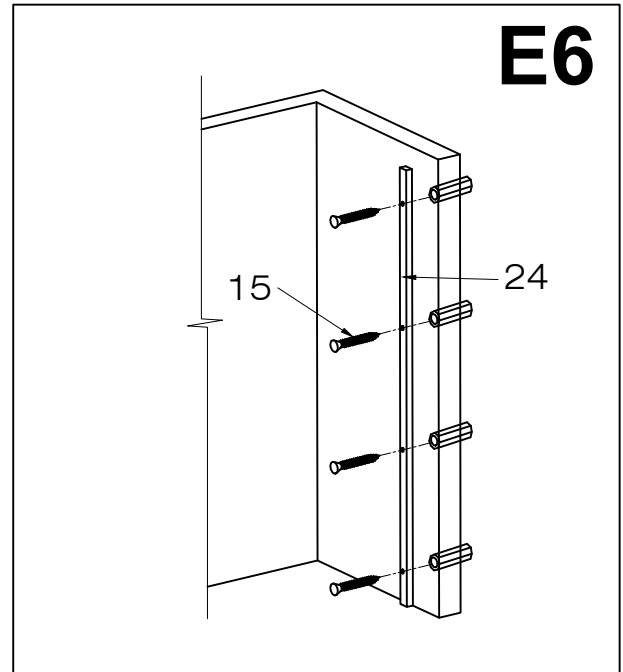
4. Open the door (#17) and remove the magnetic seal strip (#16) from the vertical rail (#24). Position the vertical rail (#24) along the wall where you marked, making sure the bottom rests on the floor. Mark holes on the wall for mounting screws.



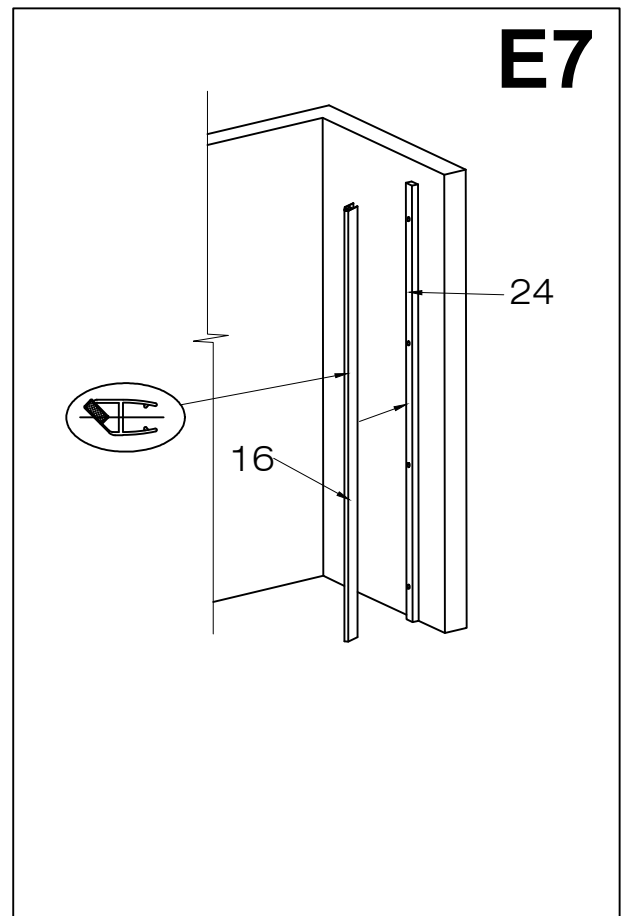
5. Remove the vertical rail (#24). Drill holes into the respective marks and insert green plastic anchors (#23) inside them.  
**⚠ Not necessary if installing into studs. Studs are the preferred means of installation, anchors can pull out of the wall causing property damage and bodily harm.**



6. Replace the vertical rail (#24) and screw into the wall with 1 1/8" phillips screws (#15).

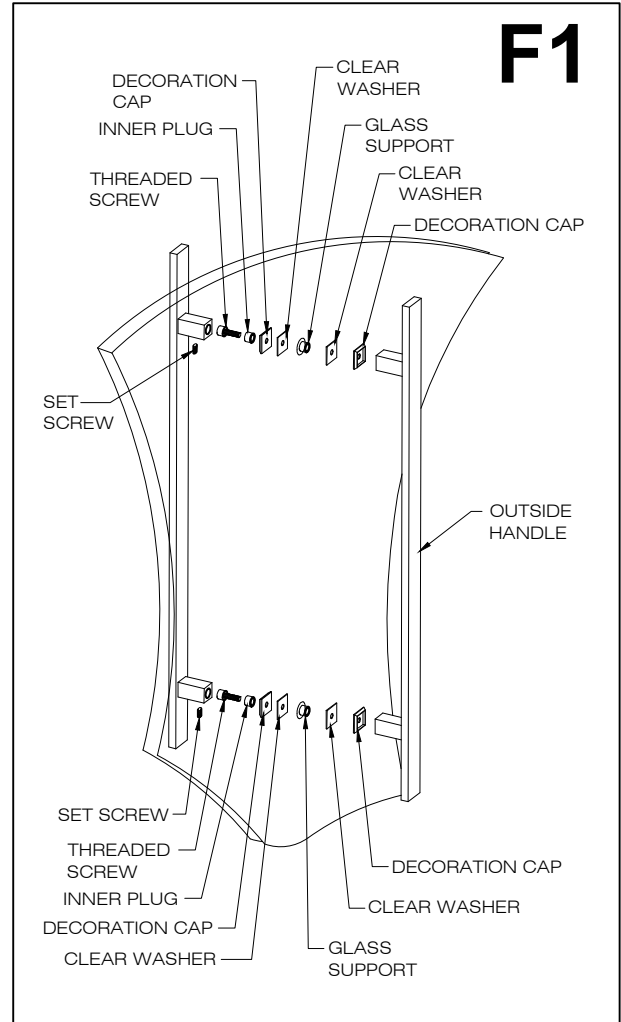


7. Replace the magnetic seal strip (#16) back onto the vertical rail (#24).



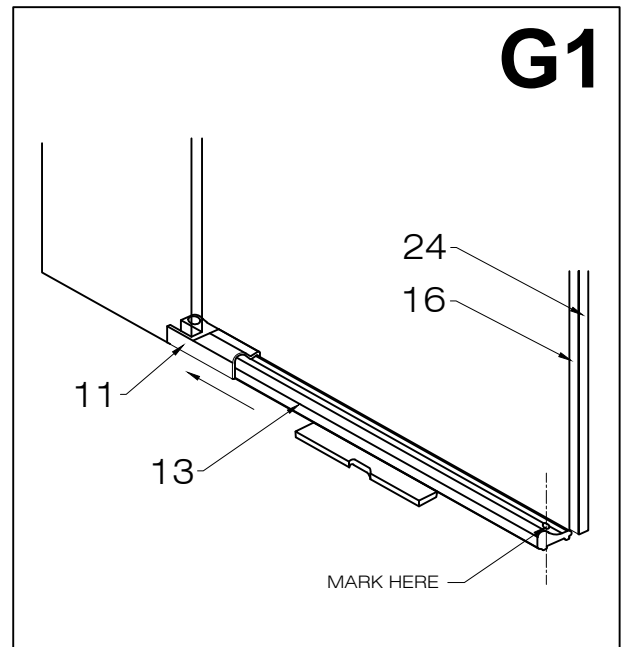
**F. INSTALLING THE HANDLE**

1. Assemble the door handle (#22) to the door (#18). Place the outside handle on the outside of the door and screw from the inside with the provided threaded screw, making sure to have a clear gasket and decoration cap on each side of the glass. From the inside, place the inside handle over the threaded screw and secure in place with the provided set screws.

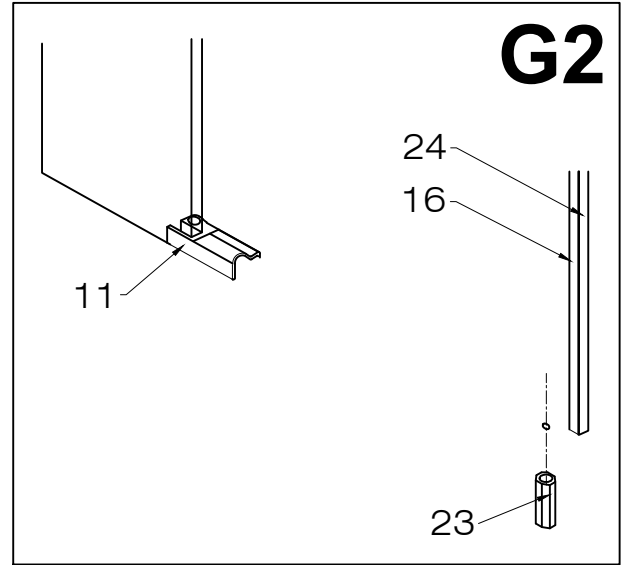


**G. INSTALLING THE THRESHOLD**

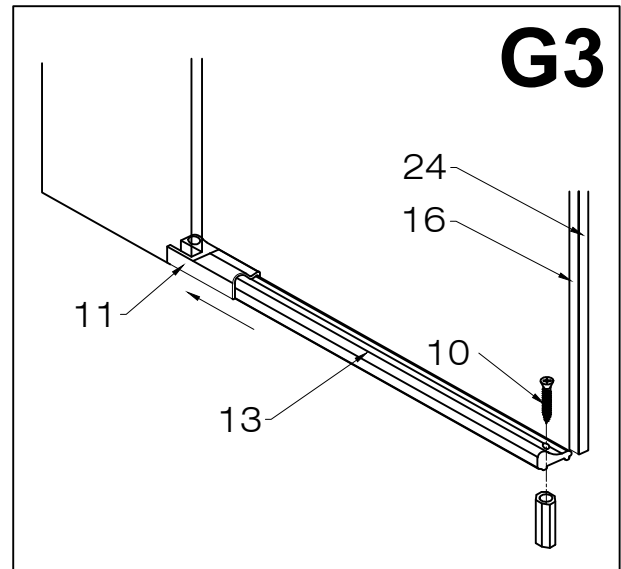
1. Slide the door threshold (#13) into the left threshold clip (#11). Level the threshold to make sure it's straight and line it up to the wall next to the vertical rail (#24). Mark the location of the screw hole on the floor. If the threshold is too long for the opening, cut with a hacksaw from the fixed panel (#5) end.



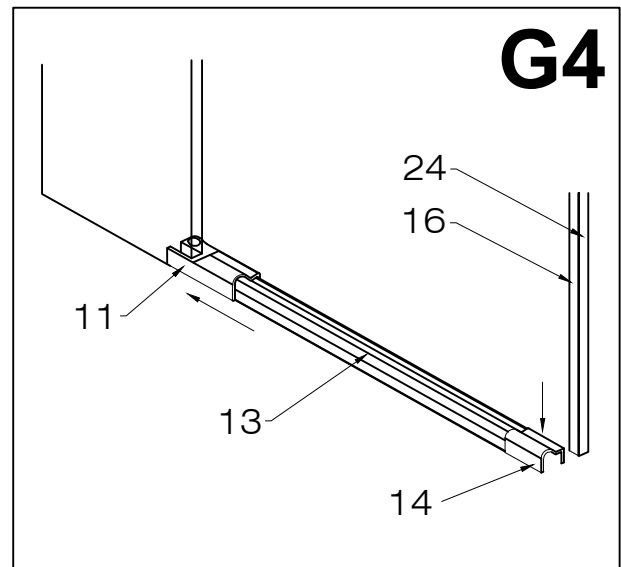
- Remove the threshold (#13). Drill a hole into the respective mark and put a plastic anchor (#23) in it. **⚠ Not necessary if installing into studs. Studs are the preferred means of installation, anchors can pull out of the wall causing property damage and bodily harm.**



- Slide the door threshold (#13) back into the left threshold clip (#11). Screw it into the floor with a 3/4" screw (#10).



- Place the threshold end cap (#14) over the end of the threshold.

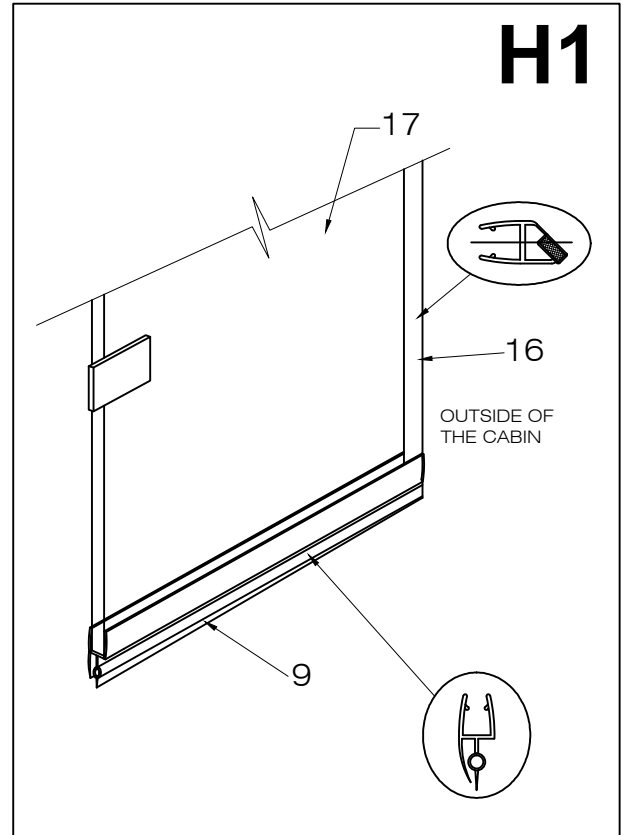


**H. INSTALLING BOTTOM DOOR SEAL STRIP**

1. Clean the door glass panel (#17) edge where the door bottom side seal strip (#9) is to be installed with rubbing alcohol. Verify that the soft flange of the seal strip faces toward the inside of the shower cabin before seal strip installation.

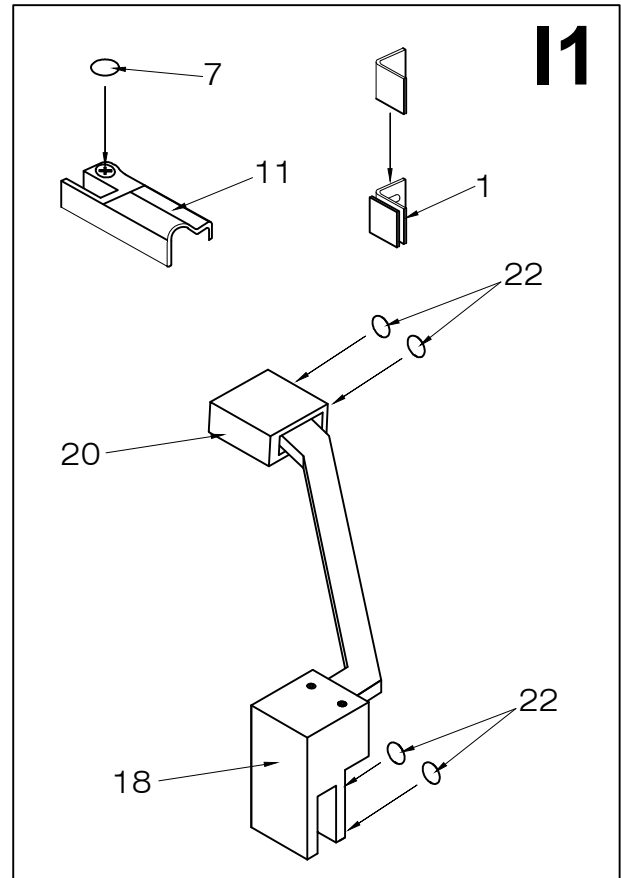
**NOTES:**

1. If the seal strip is not flat, use a hair dryer to apply minimal heat and press the seal strip back into position.
2. Adjust the magnetic seal strip (#16) to the correct height over the door bottom seal strip (#9) and cut to the needed height at the top of the panel.



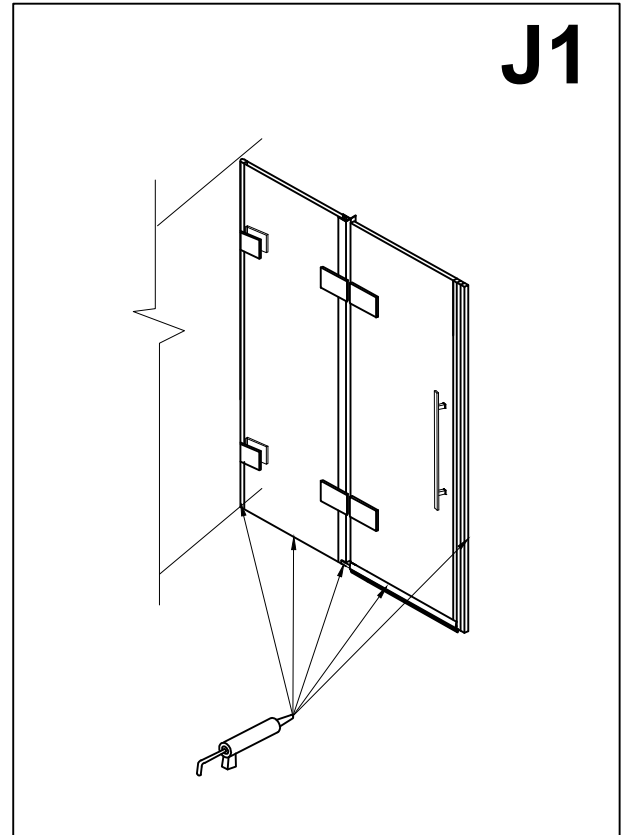
**I. INSTALLING COVERS**

1. Install the 4mm rubber covers (#22) to the structural arm assembly as shown. Install the 8mm rubber cover (#7) to the left threshold clip (#11) as shown. Install glass support covers to the glass supports (#1).



**J. APPLYING THE SILICONE**

1. Apply clear silicone caulking to the inside between the wall and side seal strip. Apply clear silicone caulking to the inside between the floor and the fixed panel. Continue applying the silicone caulking along the threshold to seal any place that may cause leaking. Apply clear silicone caulking to the inside along the vertical rail.



**⚠ IMPORTANT**

- WAIT 24 HOURS BEFORE USING SHOWER
- DO NOT ALLOW WATER TO DIRECTLY HIT DOOR SEAL STRIPS.

**CLEANING INSTRUCTIONS FOR THE SHOWER CABIN AND DOOR PANEL**

1. Use a mild liquid household cleaner to keep metal surfaces bright and clean. Rinse well and dry with a soft, clean cloth.
2. Remove dust with a soft, damp cloth.
3. Use a standard household window cleaner to clean the glass panels.
4. A water beading treatment, similar to what you would use on an automobile windshield, can be used on the inside of the glass to keep it looking brand new.
5. Use rubbing alcohol to clean and remove grease, oil, paint and ink.
6. Should you accidentally scratch or stain your shower enclosure, use a liquid automobile polish to remove.

**⚠ IMPORTANT**

1. DO NOT use abrasive cleaners, scrapers, metal brushes or any items that could scratch or dull the surface.
2. DO NOT allow surface to come in contact with acetone (nail polish remover), dry cleaning solution, lacquer thinner, gasoline or other similar products.

**REGULAR CARE AND MAINTENANCE OF YOUR VIGO SHOWER ENCLOSURE**

Your home is a moving entity, shifting and settling over time. Vigo understands this and has designed their shower enclosures with this in mind. It is the responsibility of the homeowner or end user to maintain the integrity of their newly installed enclosure, using the integrated adjustability features. In order to keep your shower enclosure in optimal working condition, Vigo recommends regularly inspecting your enclosure and tightening any hardware that may have loosened during use. This simple step will insure optimal results from your Vigo shower enclosure for many years to come.

EFFECTIVE JANUARY 1, 2010

VIGO offers the following limited warranty on each of its Shower Enclosure products\* (the "Product") and the components thereof. This warranty extends only to the original owner or end-user for personal household use. For commercial uses, additional limitations apply.

VIGO warrants the structural glass component of the Product to be free from defects in workmanship and materials under normal use and service for the period commencing from the initial date of purchase by the owner or end-user, contractor, or builder, from VIGO or an authorized VIGO dealer, through the lifetime of the original owner or end-user.

VIGO warrants the hardware components of the Product to be free from defects in workmanship and materials under normal use and service for a period of two (2) years from the initial date of purchase by the owner or end-user, contractor, or builder, from VIGO or an authorized VIGO dealer.

VIGO warrants the seal strip components of the Product to be free from defects in workmanship and materials under normal use and service for a period of one (1) year from the initial date of purchase by the owner or end-user, contractor, or builder, from VIGO or an authorized VIGO dealer.

Subject to the Warranty Service provision below, any product reported to the authorized dealer or to VIGO as being defective within the warranty period will be repaired or replaced (with a product of equal value) at the option of VIGO. This warranty extends to the original owner or end-user and is not transferable to a subsequent owner.

Neither the distributor, authorized VIGO dealer, nor any other person has been authorized to make any affirmation, representation, or warranty other than those contained in this warranty. Any affirmation, representation, or warranty other than those contained in this warranty shall not be enforceable against VIGO or any other person.

VIGO reserves the right to modify this warranty at any time, it being understood that such modifications will not alter the warranty conditions applicable at the time of sale of the products in question.

#### Limitations

This warranty shall not apply to instances of incorrect operating procedures, breakages, or damages caused by fault through improper installation, carelessness, abuse, misuse, misapplication, improper maintenance, or alteration of the Product, as well as chemical or natural corrosion, accident, fire, flood, an act of God, or any other casualty. Avoid abrasive cleaners, steel wools, and harsh chemicals as these will scratch, damage, and / or dull the product and / or finish and void this warranty. The owner/end-user of the Product covered by the present warranty is entirely responsible for its proper installation and any applicable plumbing or electrical wiring. VIGO neither installs nor supervises the installation nor hires a contractor for this purpose; consequently, VIGO cannot be held responsible for any default, breakage, or damages caused thereby or resulting thereof, either directly or indirectly.

The owner/end-user must provide access to the components of the Product as described in the installation guide so that VIGO can execute the warranty specified herein. If such access is not available, all expenses to provide said access will be the responsibility of the owner/end-user.

This warranty does not apply to Products that have not been installed or operated in accordance with instructions supplied by VIGO and all applicable rules, regulations, and legislation pertaining to such installations.

This warranty does not apply unless the VIGO Product is installed by fully insured licensed professionals. VIGO strongly recommends that such licensed professionals have experience in the installation of bathroom and kitchen products. Installation of certain products, including, without limitation, glass products (i.e., shower doors and glass sinks) by an inexperienced person may result in glass breakage and, consequently, cause personal injury or death.

VIGO is not liable for personal injuries or deaths to any persons or for any direct, special, incidental, or consequential damage, loss of time, loss of profits, inconvenience, incidental expenses, labor or material charges, or any other costs resulting from the use of the product or equipment or pertaining to the application of the present warranty, or resulting from the removal or replacement of any product or element or part covered by this warranty.

EXCEPT AS OTHERWISE PROVIDED ABOVE, VIGO MAKES NO WARRANTIES, EXPRESSED OR IMPLIED, INCLUDING WARRANTIES OF MERCHANTABILITY AND FITNESS FOR A PARTICULAR PURPOSE OR COMPLIANCE WITH ANY CODE.

In any case, VIGO cannot be held liable for any amount over and above the purchase price paid for the Product by the owner/end-user, contractor, or builder.

#### Commercial Limitations

In addition to the above conditions and limitations, the warranty period for products installed for commercial applications or used in commercial ventures is one (1) year from the initial date of purchase by the owner/end-user, contractor, or builder from an authorized dealer. VIGO is not responsible for loss of use or profit under any circumstances. If the product is used as a display, the warranty period begins when the product is placed on display. This warranty gives the owner/end-user specific legal rights. The owner/end-user may also have other rights which can vary from one state or province to another.

#### Warranty Service

In order to obtain service provided under this warranty during regular business hours, contact the dealer or distributor who sold the unit, or contact VIGO directly. VIGO will provide the warranty service described above when the following conditions have been met: the failure is of the nature or type covered by the warranty; the user has informed an authorized VIGO Agent or VIGO's warranty service department representative of the nature of the problem during the warranty period; conclusive evidence (e.g., proof of purchase or installation) is provided to the foregoing by the user proving that the failure occurred or was discovered within the warranty period; an authorized independent service person or company representative has been permitted to inspect the product during regular business hours within a reasonable time after the problem was reported by the user. VIGO's warranty obligation shall be discharged upon tender of replacement or repair. The customer's refusal to accept the tender terminates VIGO's warranty obligations.

\*Certain models are pending approval.

Certification may be ended by VIGO or certification agencies without notice.