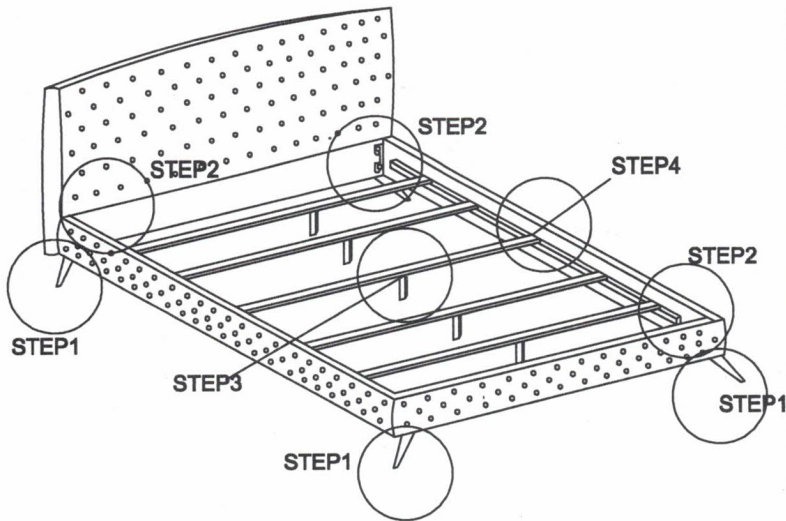
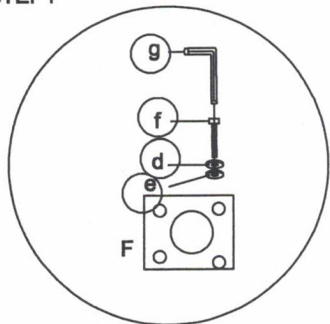


# ASSEMBLY INSTRUCTIONS

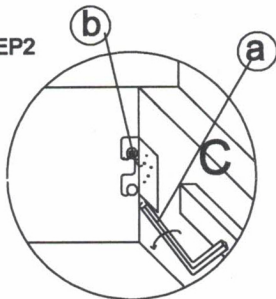
ITEM#: JJ201  
UPH QUEEN BED



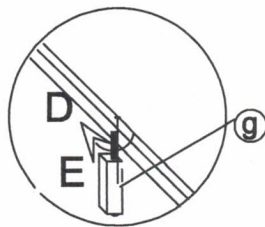
STEP1



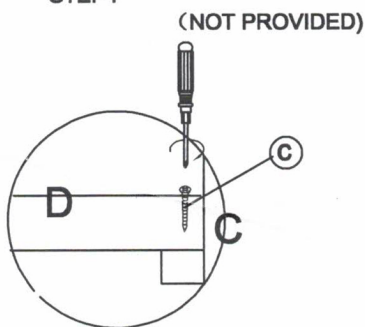
STEP2


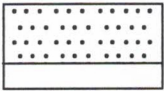
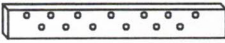






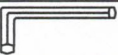






STEP3



STEP4



TOOLS REQUIRED (NOT PROVIDED)		Wrench 	
PARTS LIST			
NO.	DESC	SKETCH	Q'TY
A	HEADBOARD		1PC
B	FOOTBOARD		1PC
C	SIDERAIL		2PCS
D	SUPPORT BAR		5PCS
E	SUPPORT LEG		5PCS
F	LEG		4PCS

HARDWARE LIST			
NO.	DESC	SKETCH	Q'TY
a	ALLEN KEY $\phi$ 5/16"		1PC
b	BOLT $\phi$ 5/16*3/4"		8PCS
c	SCREW 1-1/2"		10PCS
d	FLAT WASHER		24PCS
e	SPRING WASHER		24PCS
f	BOLT $\phi$ 1/4*1"		16PCS
g	ALLEN KEY 1/4"		1PC

Step1: Attach the Feet (F) to the Footboard (B) and Headboard (A) by using Allen Key (g), Bolt (f) Spring Washer (e), and Flat Washer (d).

Step2: Attach the Side Rails (C) to the Headboard (A), and Footboard (B) by using Allen Key (a), Bolt (b), Spring Washer (e) and Flat Washer (d).

Step3: Attach Support Leg (E) to the Center Support Bar (D) as shown in the diagram.

Step4: Attach the support bar (D) to the siderail (C) by using screw (c).