

EVERCLEAN CORNER WHIRLPOOL

Comfortable two person design with dual back support positions and integral seat.

- Model# 6060LCE (specify color) Whirlpool**
 - Acrylic with fiberglass reinforcement
 - EverClean system*
 - Two person bathing with built-in seat
 - Self-draining pump/motor with dry run seal
 - Ten fully adjustable Clean Jets™
 - Two fully adjustable Clean Jets Hi-Flo jets
 - Eight fully adjustable Clean Jets
 - Three silent air volume controls
 - Side-mounted On/Off control
 - Complete factory installed and tested whirlpool system
 - EZ-Install™ heater connection system (heater must be ordered separately)
 - **Includes Deep Soak® Over Flow Adapter Kit (753174-150) - White only (Must order Deep Soak Drain separately)**



* American Standard whirlpools with EverClean incorporate a patented antimicrobial additive molded directly into the water circulation piping to inhibit the growth of mold and mildew on the pipes.

Nominal Dimensions:

Wall Dimensions

54-1/2" x 54-1/2" x 21-1/2"
(1384 x 1384 x 546mm)

Overall Dimensions

(63-3/8" x 63-3/8" x 21-1/2")
(1610 x 1610 x 546mm)

Installed Size:

76-3/4" x 65-3/8" x 21-1/2"
(1949x 1661 x 546mm)

Compliance Certifications -

Meets or Exceeds the Following Specifications:

- Underwriters Laboratories - Hydromassage Bathtubs UL 1795
- ASME A112.19.7M for Whirlpool Appliances
- ANSI Z124.1 for Plastic Bathtubs
- ASTM E162 for Flammability
- NFPA 258 for Smoke Density

SEE REVERSE FOR ROUGHING-IN DIMENSIONS AND PRODUCT SPECIFICATIONS

Components Required:

- Bath Filler**: (specify finish)
- Bath Drain: 1583.470.XXX
(colors/finishes other than white)
OR 1599.500.020 (white only) Deep Soak

Drain

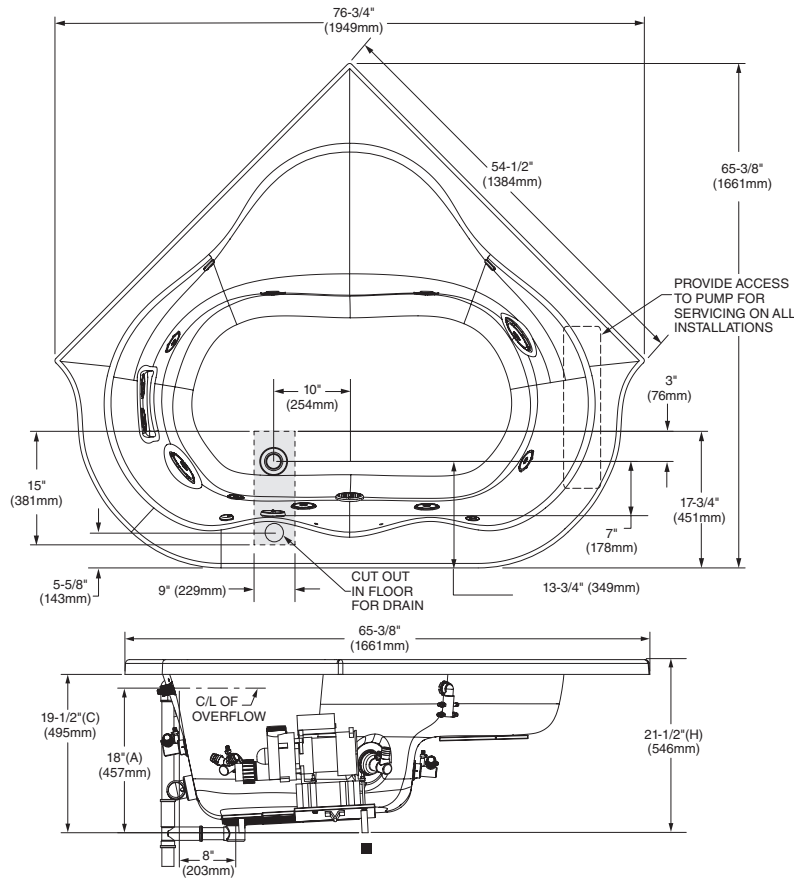
Optional Components:

- Tile Bead Kit: 751755-100
- E-Z Install Whirlpool Heater: EZHEAT_100

** See American Standard Faucet Selector

For color/finish availability and other faucet choices, please see the Product Selector and Pricing Guide.

NOTE: Whirlpool Heater is designed to maintain water temperature during operation. It will not heat cold water to desired bathing temperature.



DIMENSIONS OF FIXTURES ARE NOMINAL AND MAY VARY WITHIN THE RANGE OF TOLERANCES ESTABLISHED BY ANSI STANDARDS Z124.1 AND A112.19.7.

GENERAL SPECIFICATIONS FOR 6060LCE WHIRLPOOL	
INSTALLED SIZE	76-3/4 x 65-3/8 x 21-1/2 In. (1949 x 1661 x 546mm)
WEIGHT	108 Lbs. (49 Kg.)
WEIGHT w/WATER	824 Lbs. (374 Kg.)
GAL. TO OVERFLOW	86 Gal. (325 L)
WHIRLPOOL MIN. OPERATING VOL.	71 Gal. (269 L)
BATHING WELL AT SUMP	48 x 26-1/2 In. (1219 x 673mm)
BATHING WELL AT RIM	63 x 50 In. (1600 x 1270mm)
WATER DEPTH TO OVERFLOW	16-1/2 In. (419mm)
FLOOR LOADING	24 Lbs./Sq.Ft. (116 Kgs./Sq.m)
(PROJECTED AREA)	
WHIRLPOOL ELECTRICAL SPECIFICATIONS	
PUMP	2.1 HPR, 14.4 AMPS, 120V.
E-Z INSTALL WHIRLPOOL HEATER	12.0 AMPS, 120V.

NOTES:

BATH CAN BE INSTALLED EITHER ABOVE OR BELOW FLOOR LINE AS PIER, ISLAND OR PENINSULA TYPE INSTALLATION. SUPPORT OF BATH BY INTEGRAL FEET. NO ADDITIONAL SUPPORT REQUIRED. SUPPORT AND ENCLOSING MATERIAL BY OTHERS.

■ REFER TO INSTALLATION INSTRUCTIONS SUPPLIED WITH WHIRLPOOL FOR ADDITIONAL INFORMATION.

OPTIONAL 2-WALL TILING BEAD KIT No. 751755-100 MUST BE ORDERED SEPARATELY.

▲ CUTOUT TEMPLATE PROVIDED IN SHIPPING BOX. MAY BE REQUESTED SEPARATELY.

PROVIDE SUITABLE REINFORCEMENT FOR ALL WALL SUPPORTS.

FITTINGS NOT INCLUDED, MUST BE ORDERED SEPARATELY.

IF INSTALLING A DECK-MOUNTED FITTING, BEFORE DRILLING ANY HOLES: CHECK FOR INTERFERENCE WITH CIRCULATING SYSTEM PIPING, DRAIN OVERFLOW, AND APRON INSTALLATION. MOUNTING HOLES DRILLED BY INSTALLER.

IMPORTANT: Dimensions of fixtures are nominal and may vary within the range of tolerances established by ANSI Standard Z124.1. These measurements are subject to change or cancellation. No responsibility is assumed for use of superseded or voided leaflet.