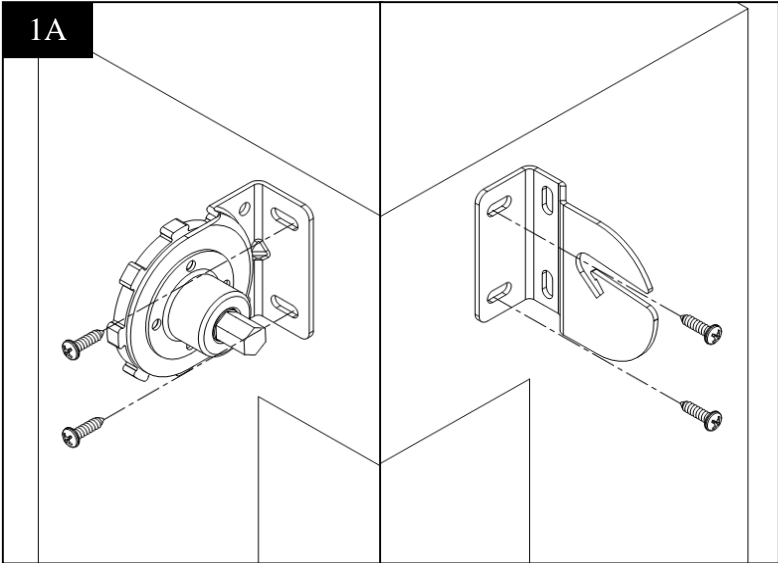
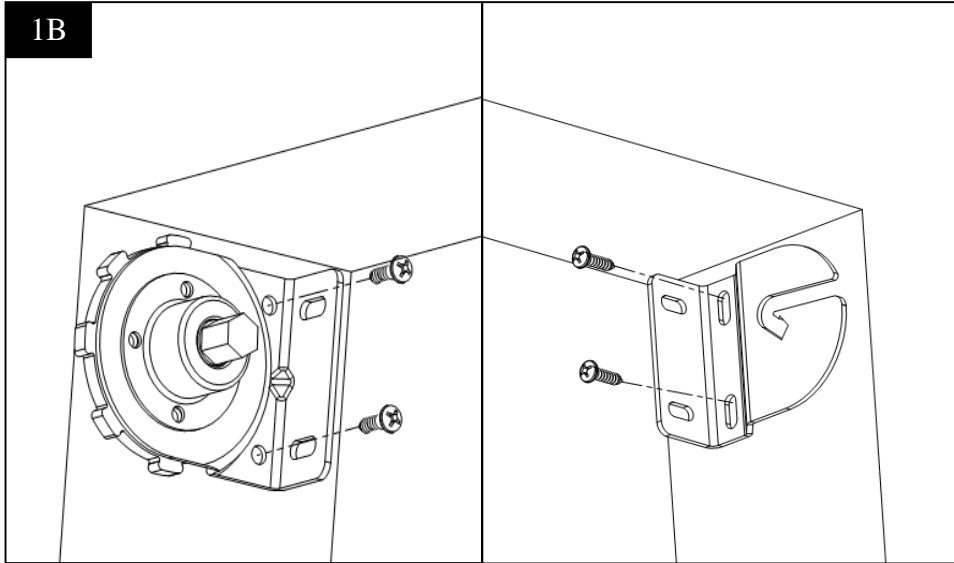


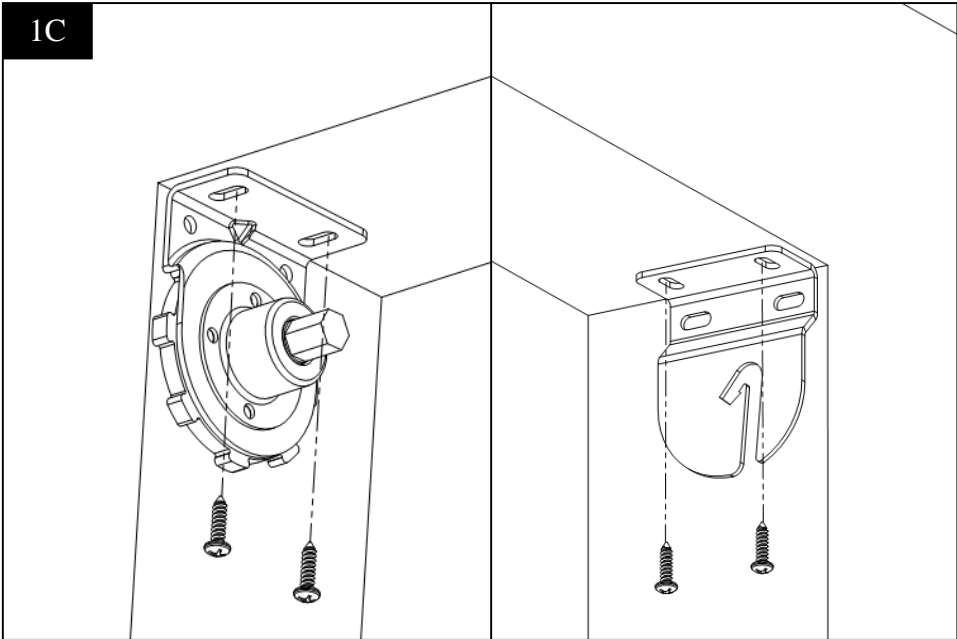
Installation Instructions StyleWell Roller Shades



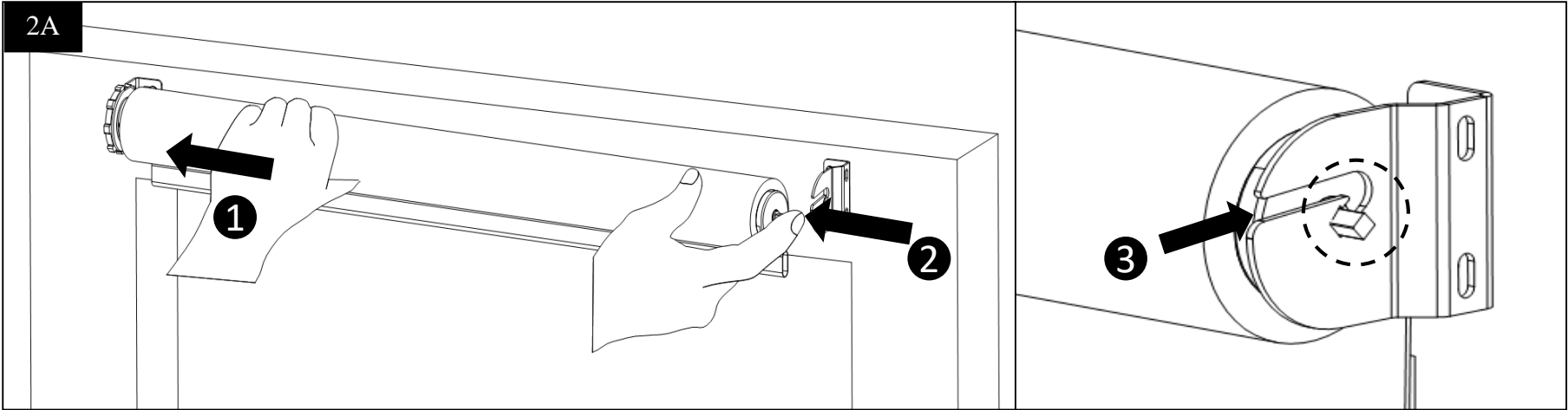
Outside mounting



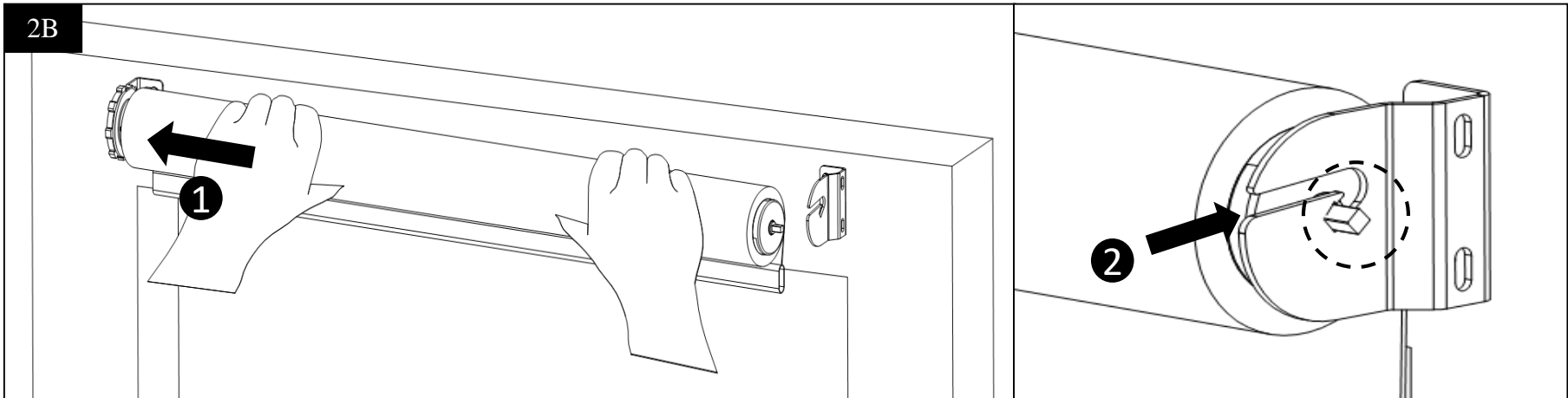
Inside mounting



Ceiling mounting

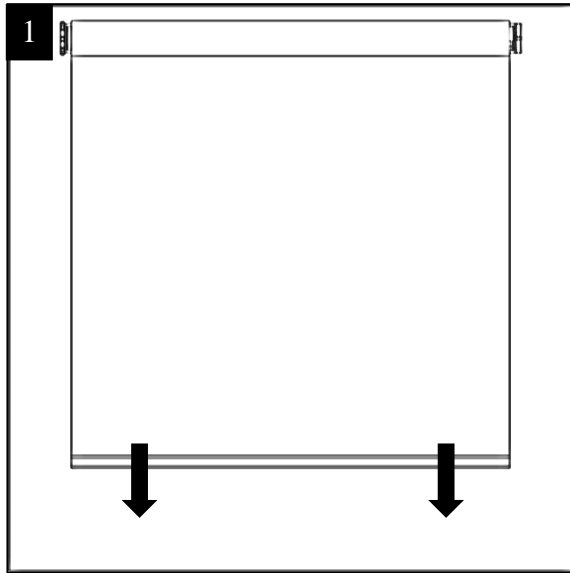


Installation for the shade with adjustable square pin end: Install the left end of the roller into the bracket(see Fig. 1), then depress the adjustable square pin end and mount into the bracket(see Fig. 2 & 3)

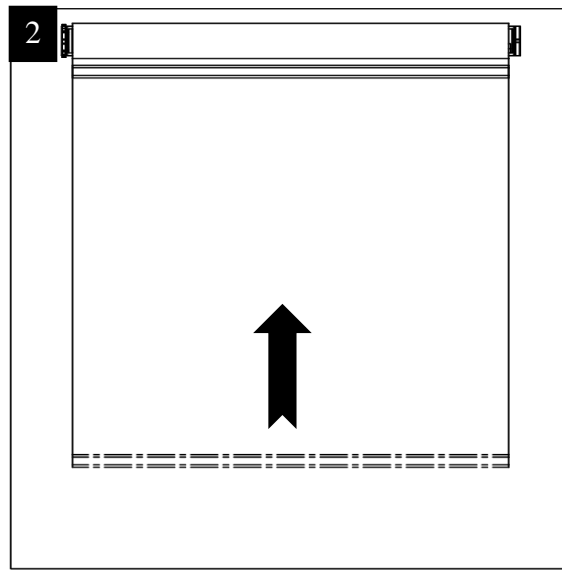


Installation for the shade with non-adjustable square pin end: Install the left end of the roller into the bracket(see Fig. 1), then mount the square pin end into the bracket(see Fig. 2)

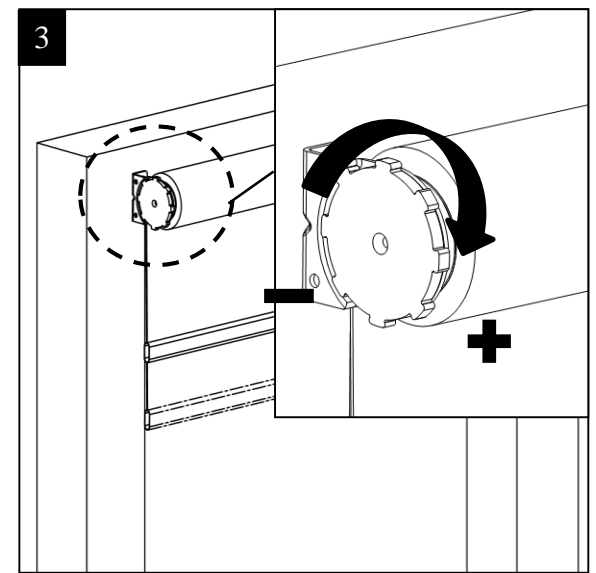
Loose or weak tension



Pull the shade down to test the tension strength

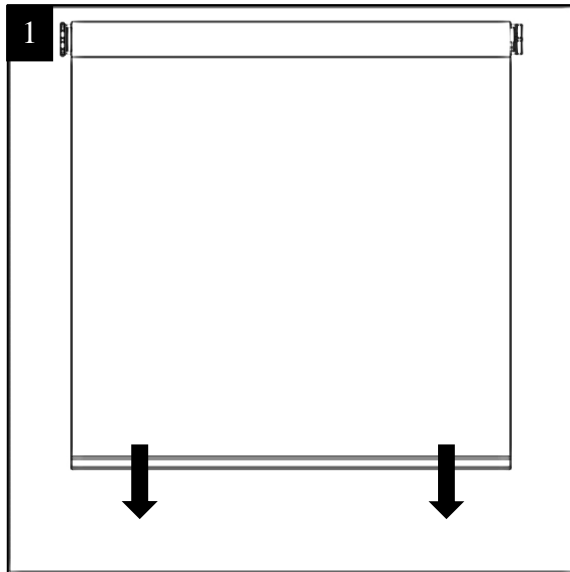


If the shade rolls up too slowly

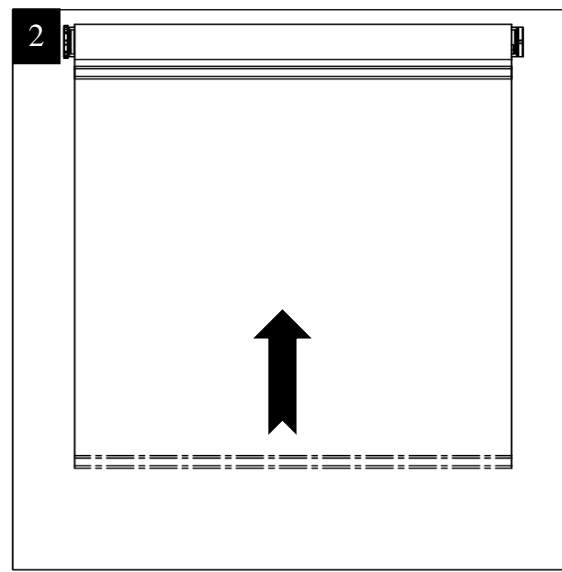


Turn the adjusting dial clockwise to increase lifting speed

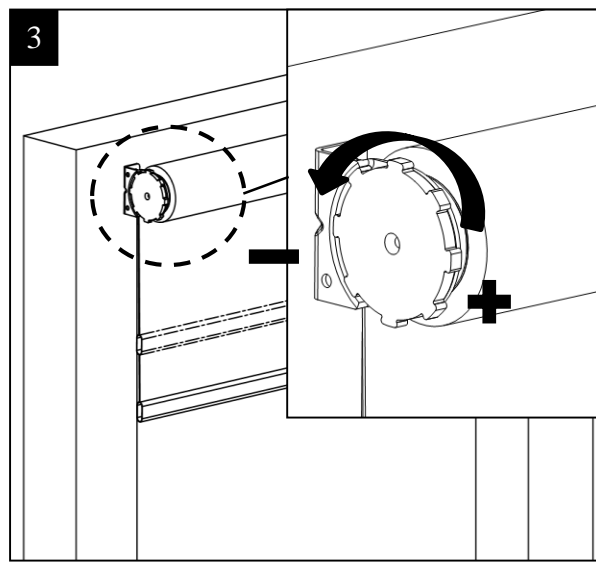
Over tension



Pull the shade down to test the tension strength



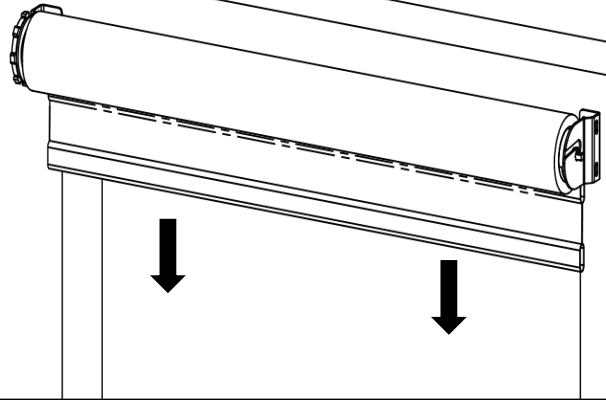
If the shade goes up too quickly



Turn the adjusting dial counter clockwise to slow down the lifting speed

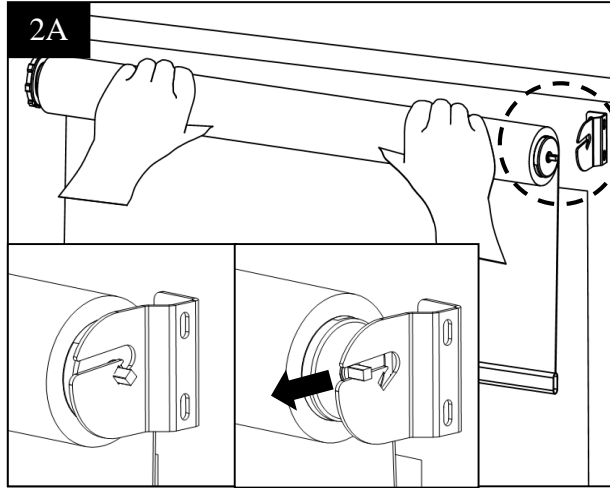
Stop position alteration

1A



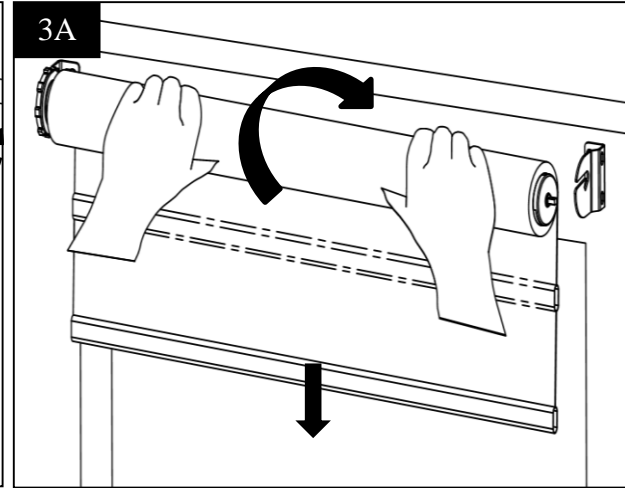
If you want the shade stop at a lower position

2A



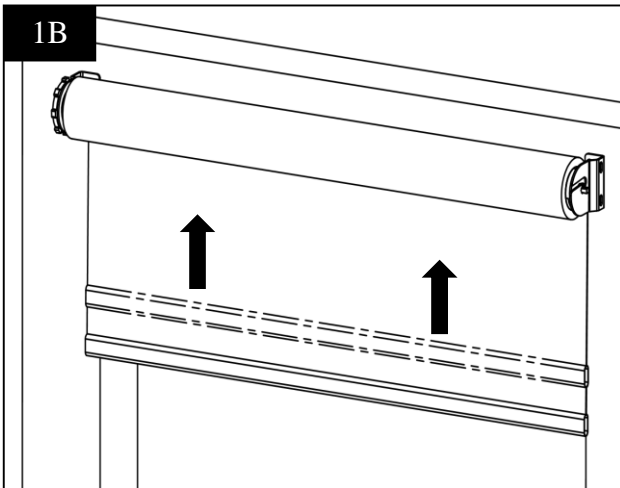
Just remove the stop end plug square pin end from the bracket. Keep the opposite end of the roller on the bracket and avoid removing from the bracket

3A



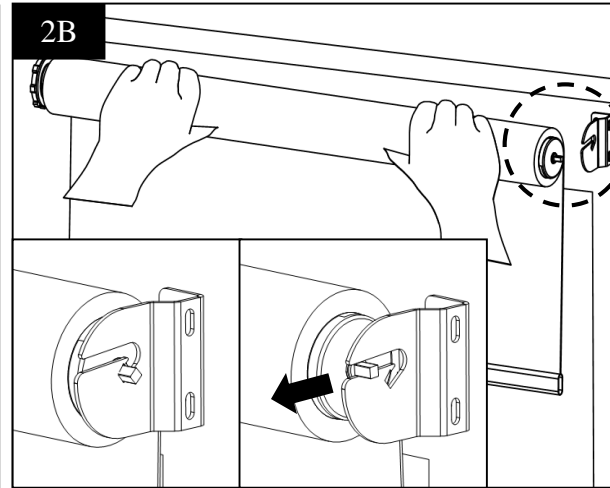
Unroll the shade down to the required position by hand evenly, then replace the square pin end on the bracket

1B



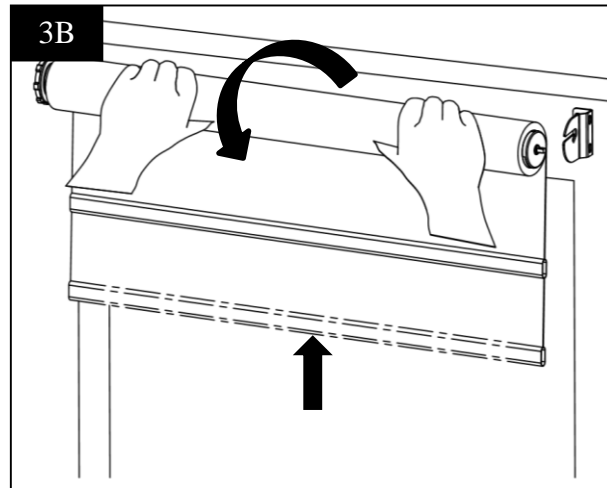
If you want the shade stop at a higher position

2B



Just remove the stop end plug square pin end from the bracket. Keep the opposite end of the roller on the bracket and avoid removing from the bracket

3B



Roll up the shade to the required position by hand evenly, then replace the square pin end on the bracket.