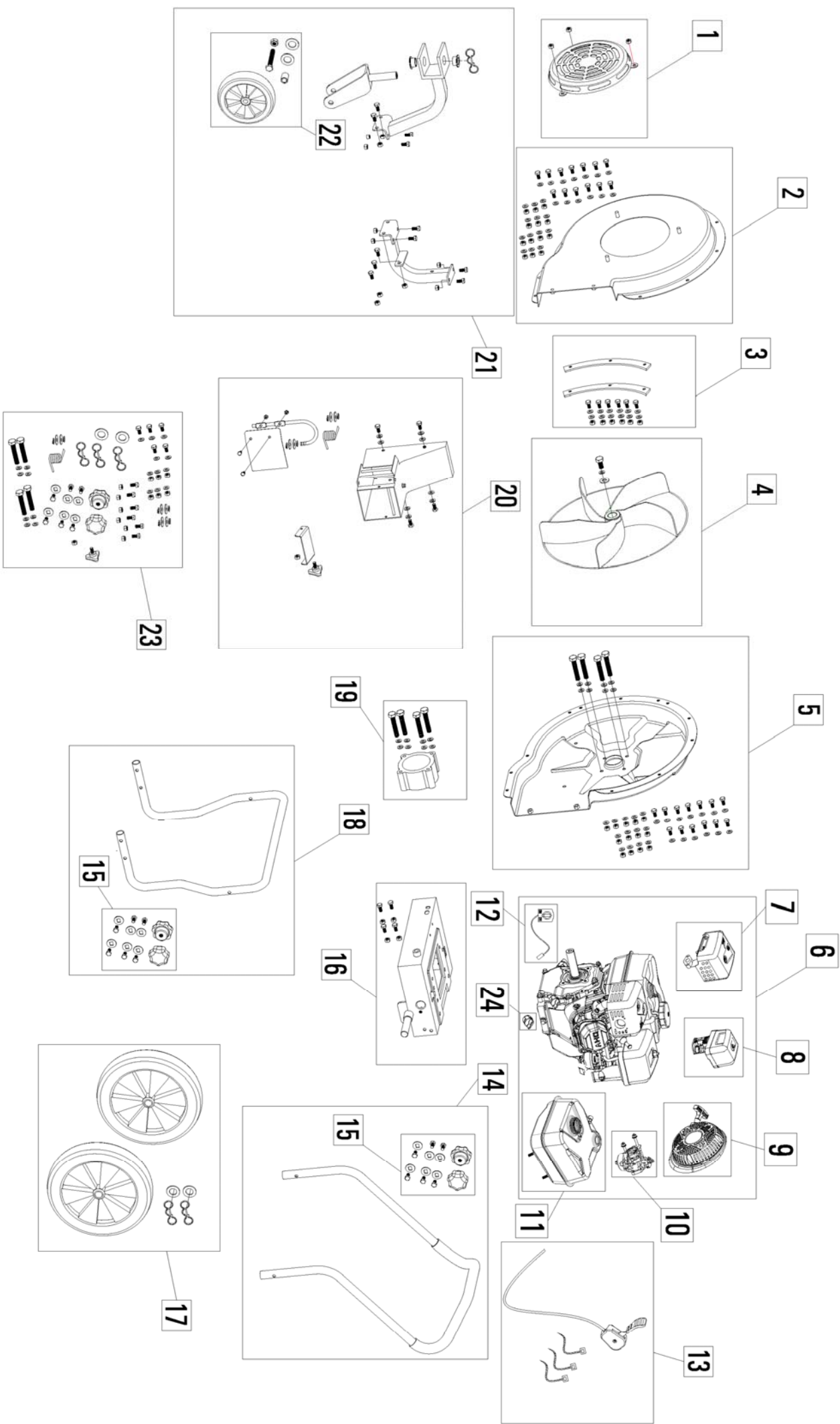


Leaf Blower Parts Kit Diagram



Part List for Leaf Blower

Item #	GXi Part Number	Description
1	LBSP16-0001	Rotating screen guard assembly ,black, use for Leaf Blower Flail housing, include 3 lock nuts...
2	LBSP16-0002	Leaf Blower, front flail housing assembly, grey, include hardware...
3	LBSP16-0003	Rubber kit, include two, between the fan housing leaf blower with hardware...
4	LBSP16-0004	Fan fin assembly kit, steel,galvanized, leaf blower, include fasten hardware...
5	LBSP16-0005	Leaf Blower, back flail housing assembly, grey, include hardware...
6	E14317	Leaf blower Engine assembly,212cc, black paint, labels for BEAST included...
7	LBSP17-0006	Muffler assembly 212cc,for Leaf blower models,includes the muffler, muffler cover, a bracket, bolts and gaskets.
8	LBSP17-0007	Air filter assembly 212cc,for Leaf blower models,includes the filter cover, filter media, housing and bolts.
9	LBSP17-0008	Recoil assembly 212cc,for Leaf blower models ,includes recoil housing, reel, recoil rope, pull start grip and label. Simply install this recoil assembly with three bolts.
10	LBSP17-0009	Carburetor assembly 212cc,for Leaf blower models ,includes the carburetor, the choke shaft, the heat shield and the gaskets. Simply install the carburetor assembly onto the engine head with two bolts.
11	LBSP17-0010	Fuel tank assembly 212cc, for Leaf blower models ,includes the tank, Roll over valve, fuel cap,label and is ready to be connected to the carburetor.
12	LBSP17-0011	Switch, ON/OFF, 212CC
13	LBSP16-0012	The throttle cock asm Assembly leaf blower, include three plastic wire tie...
14	LBSP16-0013	Leaf blower handle bar kit, upper, include handle bar、 two plastic sphere knob and hardware...
15	LBSP16-0014	Plastic sphere knob kit, use for handle bar include two sphere knobs and hardware...
16	LBSP16-0015	Chassis For leaf blower, mounts,steel, black
17	LBSP16-0016	Leaf Blower, back wheels, two , solid rubber, plastic rim, with retaining hardware to axle...
18	LBSP16-0017	Leaf blower handle bar kit, bottom, include handle bar、 two plastic sphere knob and hardware...
19	LBSP16-0018	Adapter kit, engine to flail housing, 212cc, nylon, include hardware...
20	LBSP16-0019	Deflector chute assembly, 180cc leaf blower...
21	LBSP16-0020	Front wheel assembly, include front wheel and support arm with hardware...
22	LBSP16-0021	Leaf Blower, front wheels, solid rubber, plastic rim, with retaining hardware to axle...
23	LBSP16-0022	Leaf Blower, hardware kit, complete assembly minus engine hardware...
24	LBSP18-0001	Oil fill cap, 212CC